



US00D791075S

(12) **United States Design Patent** (10) **Patent No.:** **US D791,075 S**
Kim et al. (45) **Date of Patent:** **** Jul. 4, 2017**

(54) **CHARGING CONNECTOR**
(71) Applicant: **FARADAY & FUTURE INC.**,
Gardena, CA (US)
(72) Inventors: **Richard S. Kim**, Los Angeles, CA
(US); **Mike de Jung**, Marina Del Rey,
CA (US); **Chi Hung Cao**, Huntington
Beach, CA (US)
(73) Assignee: **FARADAY & FUTURE INC.**,
Gardena, CA (US)
(**) Term: **15 Years**
(21) Appl. No.: **29/561,729**
(22) Filed: **Apr. 19, 2016**
(51) **LOC (10) Cl.** **13-02**
(52) **U.S. Cl.**
USPC **D13/107**
(58) **Field of Classification Search**
USPC D13/102-110, 118-119, 184, 199, 177,
D13/133, 154; D14/251, 253, 356, 432,
D14/434; D8/350
CPC Y02E 60/12; Y02T 90/14; Y02T 90/122;
Y02T 90/128; Y02T 90/163; H02J 7/025;
H02J 7/0042; H02J 7/0044; H02J 7/0045;
H02J 7/0003; H02J 2001/008; H02J 3/32;
H02J 3/008; H02J 7/0027; H02J 7/0013;
H02J 7/0054; H02J 7/00; H01F 38/14;
H01R 13/6675; H01M 2/1022; H01M
2/1055; H01M 10/44; H01M 10/46;
H01M 10/425; B60L 11/182; B60L
11/1809; B60L 11/1861; B60R 16/03
See application file for complete search history.

(56) **References Cited**
U.S. PATENT DOCUMENTS
5,497,893 A * 3/1996 Mangone, Jr. H01R 13/44
220/281
D375,483 S * 11/1996 Tashiro D13/110

D377,339 S * 1/1997 Beruscha D10/75
D407,686 S * 4/1999 Read D13/103
D413,893 S * 9/1999 Luzbetak D13/147
D449,583 S * 10/2001 Goto D13/147
D593,959 S * 6/2009 Victor D13/156
D669,440 S * 10/2012 Wu D13/162
D703,158 S * 4/2014 Parsons D13/177
D709,028 S * 7/2014 Thompson D13/108
D739,849 S * 9/2015 Donohue, II D14/221
(Continued)

OTHER PUBLICATIONS

Tesla charging connector, driveandream.wordpress.com, article published on Mar. 2, 2014, retrieved on Feb. 22, 2017, retrieved from the Internet: URL< <https://driveandream.wordpress.com/2014/03/02/how-to-charge-your-tesla-model-s-at-home/>.*

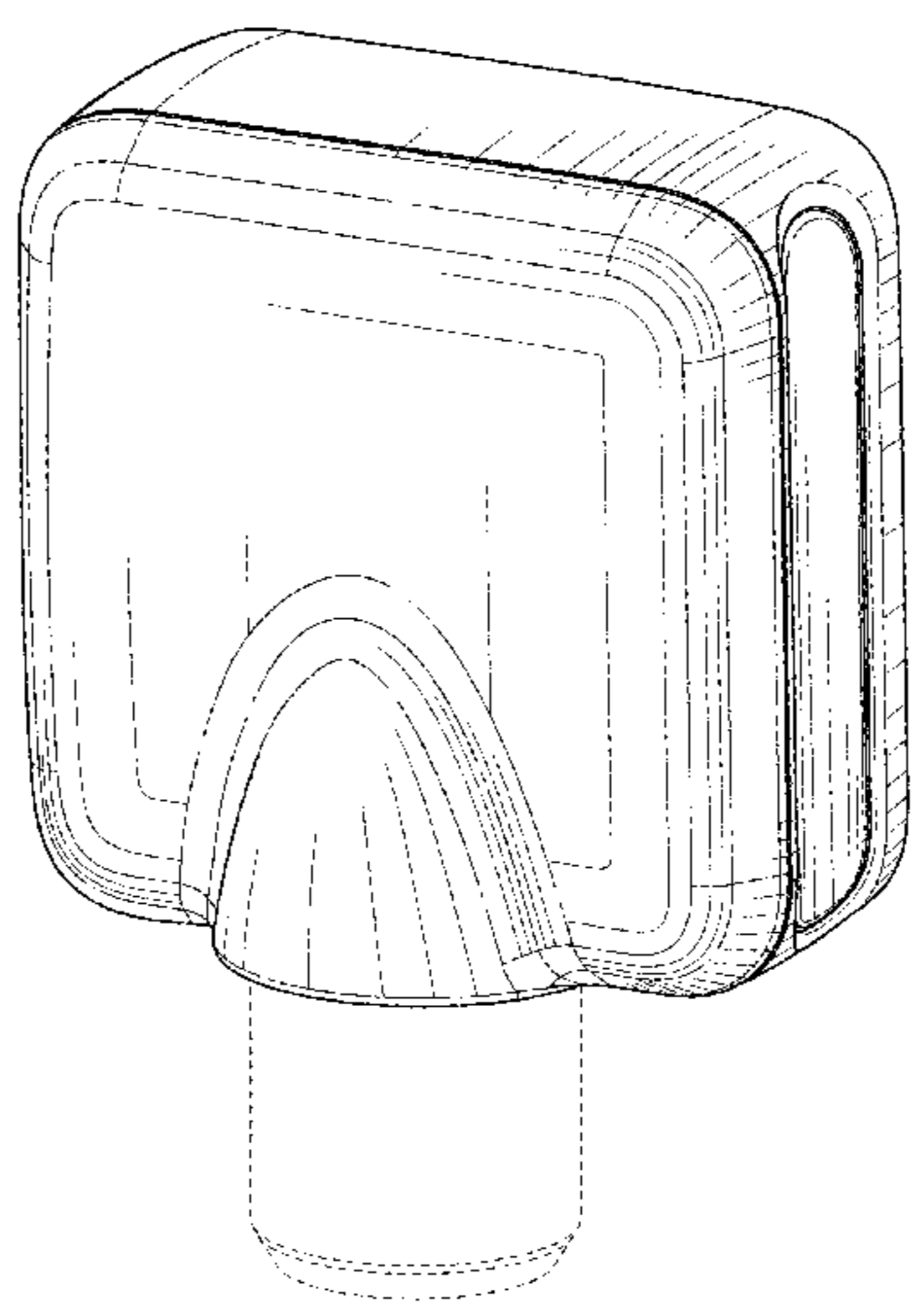
Primary Examiner — Rosemary K Tarcza
Assistant Examiner — Alison Ofstun
(74) *Attorney, Agent, or Firm* — Knobbe, Martens, Olson & Bear LLP

(57) **CLAIM**
The ornamental design for a charging connector, as shown and described.

DESCRIPTION

FIG. 1 is rear perspective view of the charging connector. FIG. 2 is a rear view of the charging connector of FIG. 1. FIG. 3 is a front view of the charging connector of FIG. 1. FIG. 4 is a right side view of the charging connector of FIG. 3. FIG. 5 is a left side view of the charging connector of FIG. 3. FIG. 6 is a top view of the charging connector of FIG. 1; and, FIG. 7 is a bottom of the charging connector of FIG. 1. The broken lines in the figures represent environmental subject matter which forms no part of the claimed design.

1 Claim, 4 Drawing Sheets



(56)

References Cited

U.S. PATENT DOCUMENTS

D740,819 S * 10/2015 Weber D14/385
D753,597 S * 4/2016 Bies D13/137.1
D760,172 S * 6/2016 Kaloustian D13/156
D767,514 S * 9/2016 Summers D10/106.95
2012/0195052 A1* 8/2012 Puskar-Pasewicz H02G 3/14
362/341
2016/0297315 A1* 10/2016 Gonzalez G07F 15/005

* cited by examiner

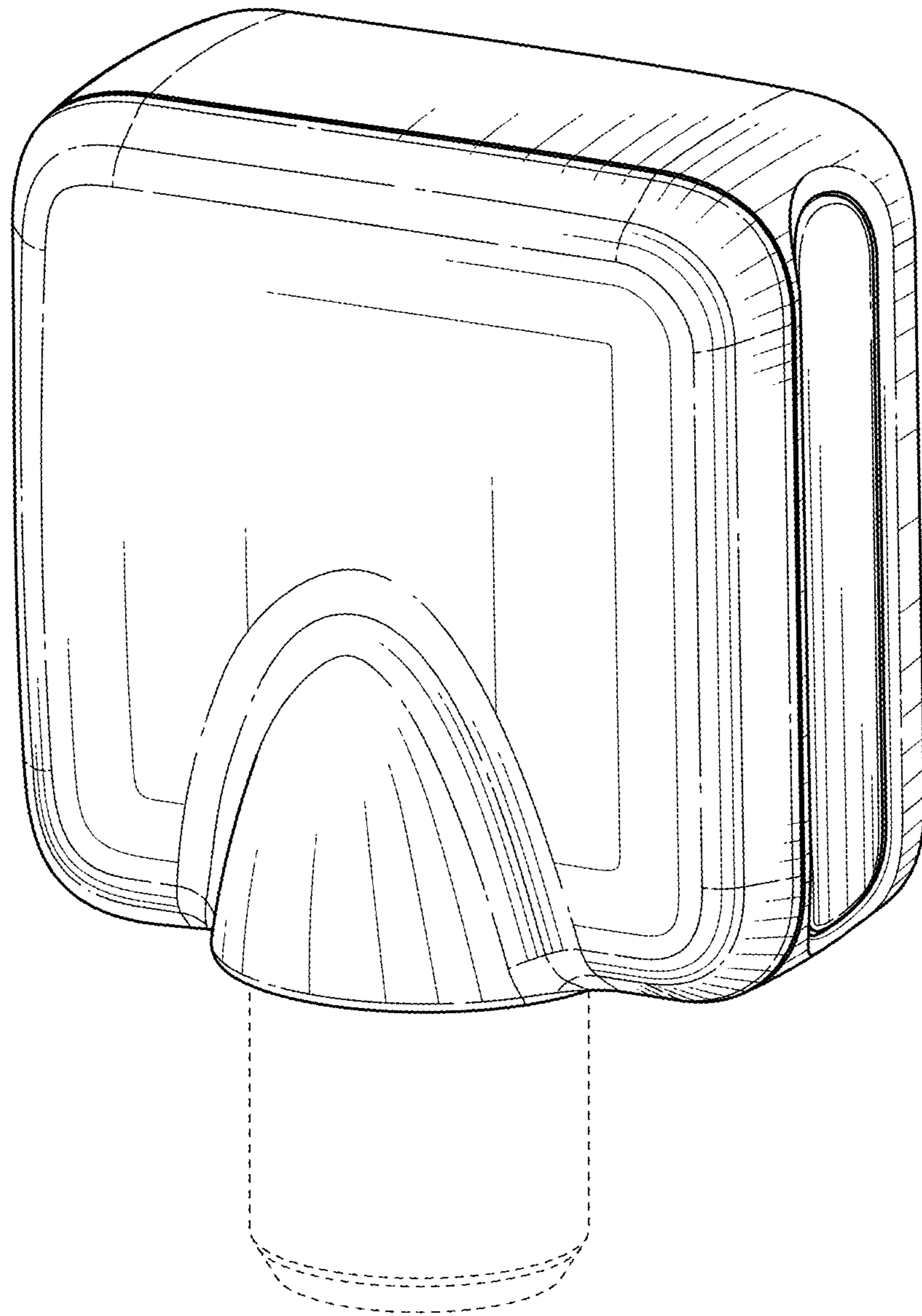


FIG. 1

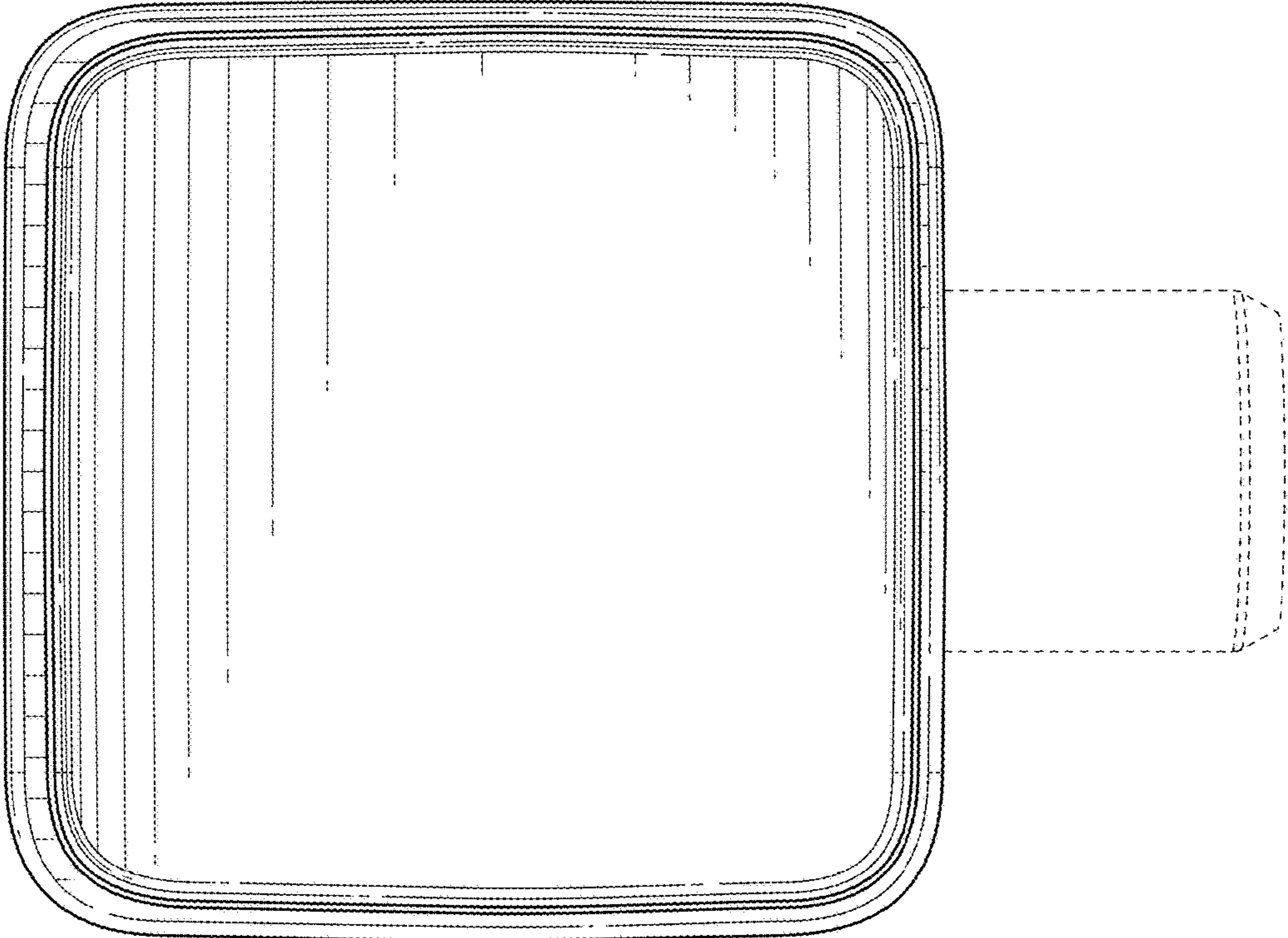


FIG. 3

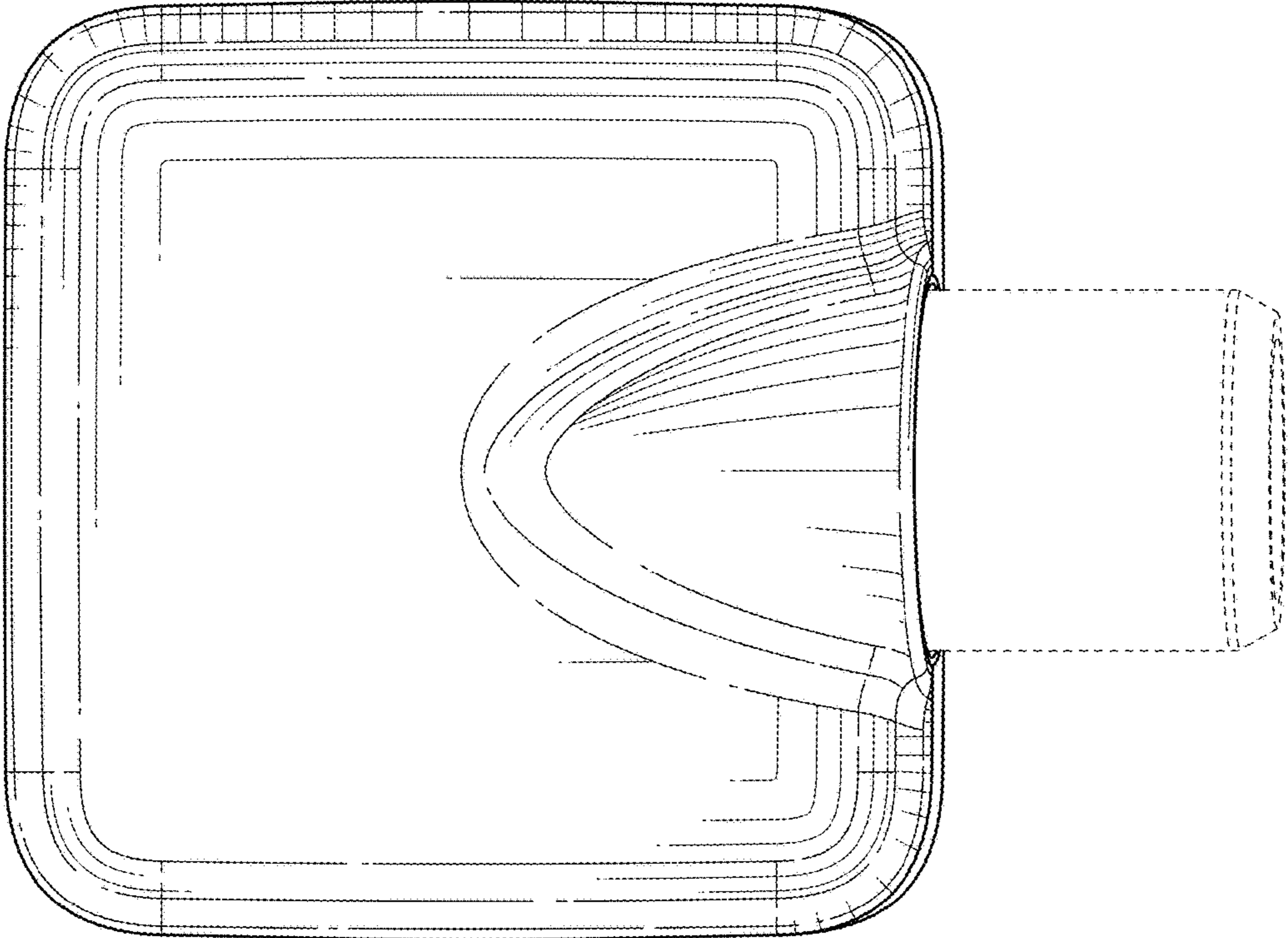


FIG. 2

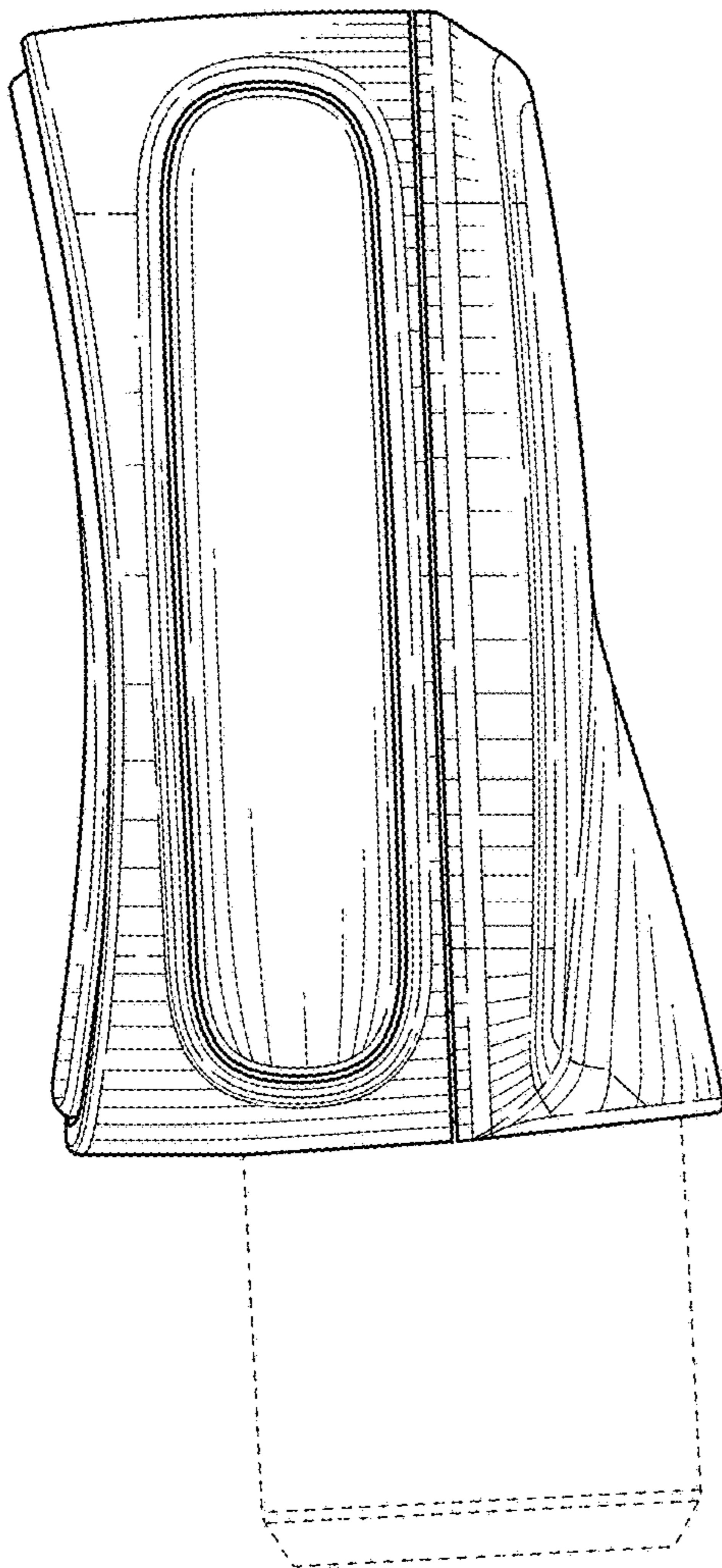


FIG. 4

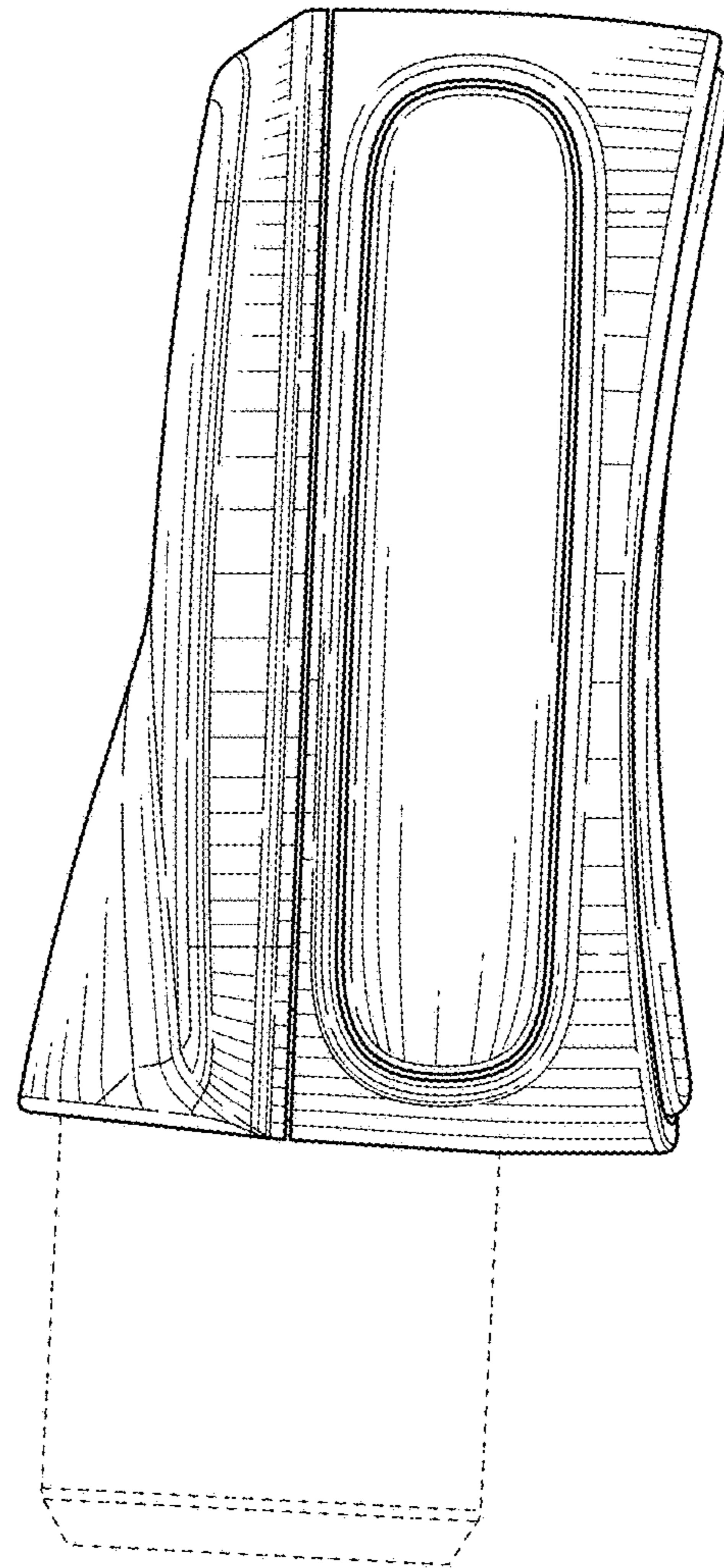


FIG. 5

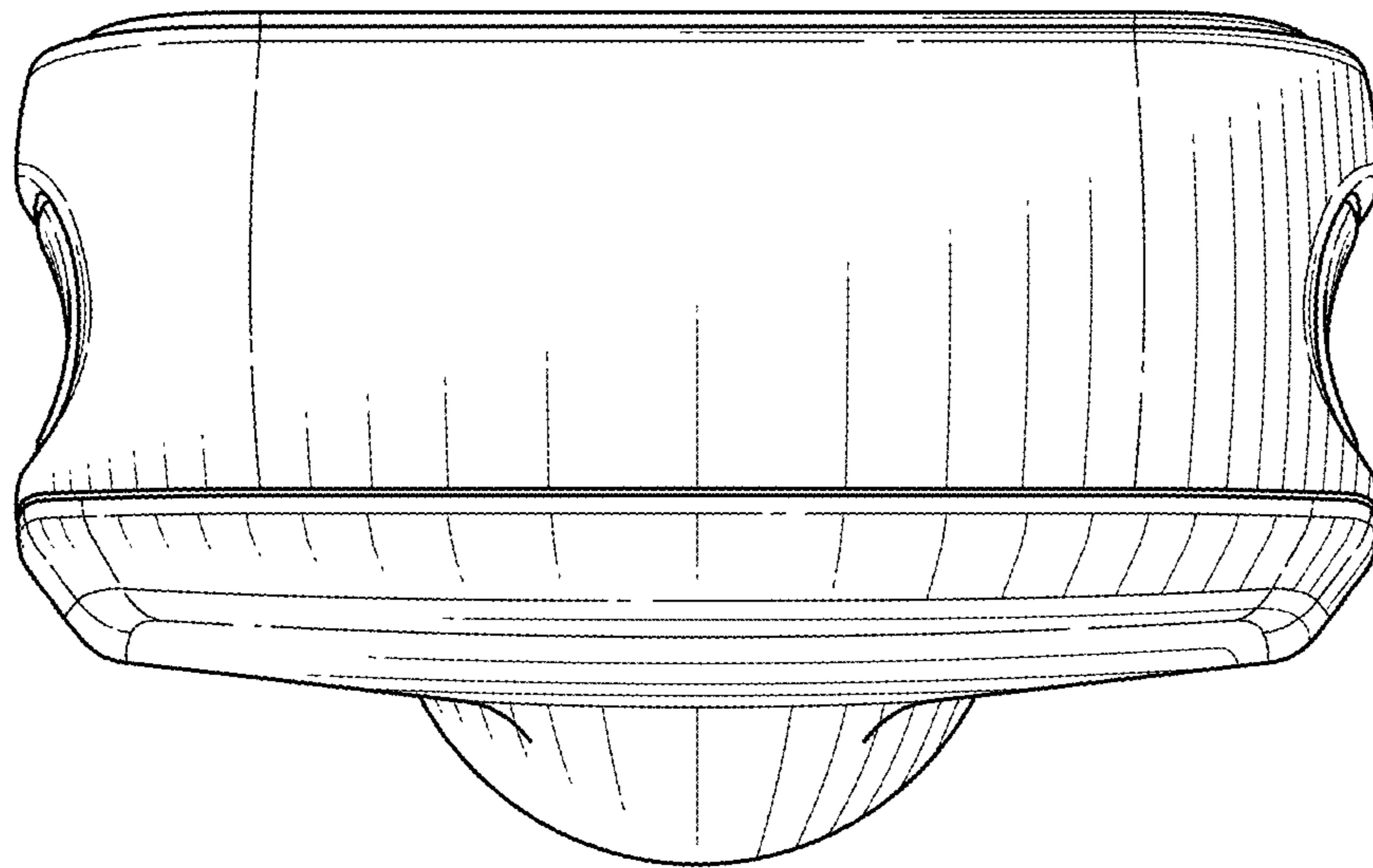


FIG. 6

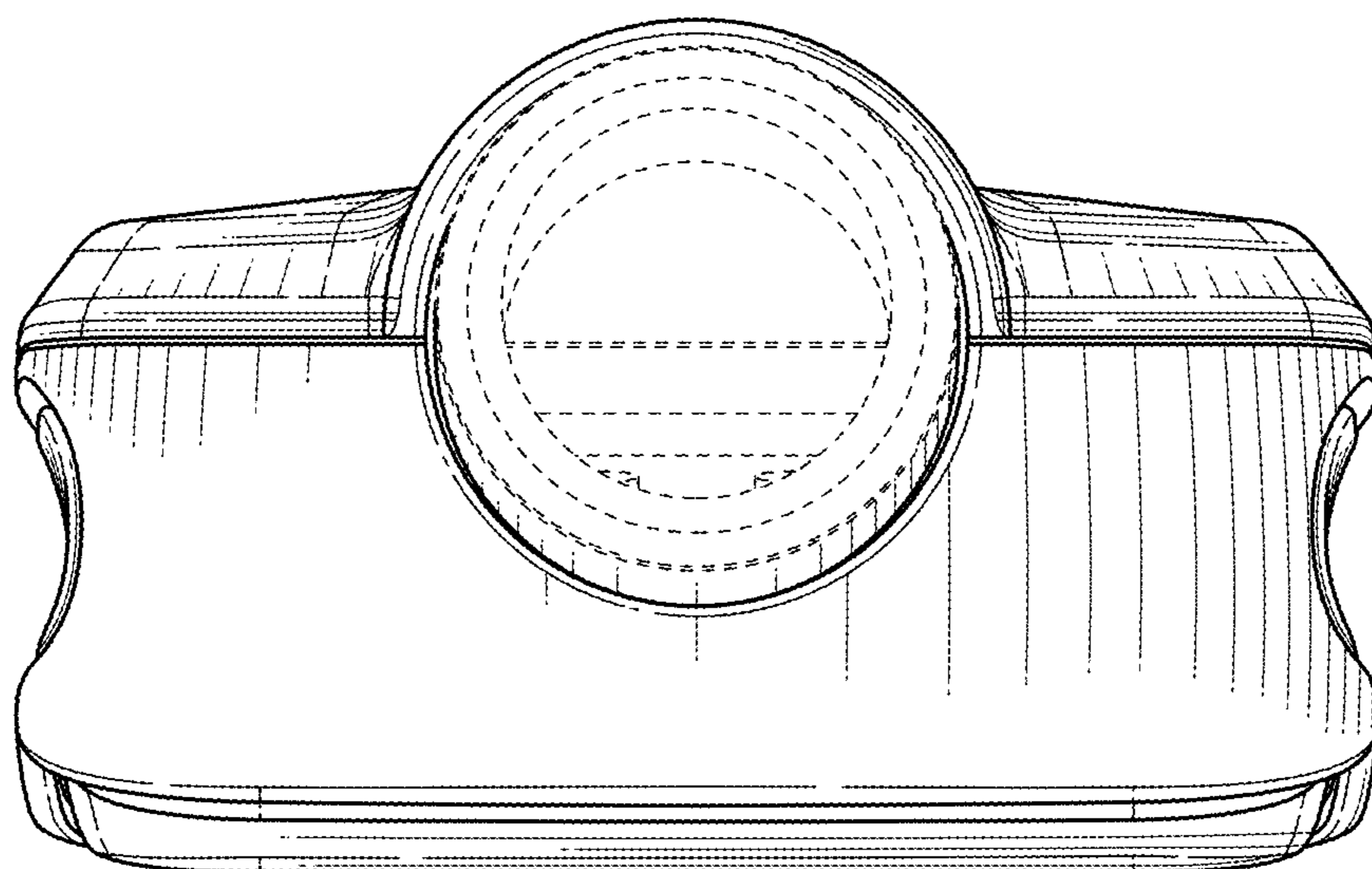


FIG. 7