



US00D791071S

(12) **United States Design Patent** (10) **Patent No.:** **US D791,071 S**  
**Tsui** (45) **Date of Patent:** **\*\* Jul. 4, 2017**

(54) **CHARGER**

(71) Applicant: **Ka Yin Tsui**, N.T. (HK)

(72) Inventor: **Ka Yin Tsui**, N.T. (HK)

(\*\*) Term: **15 Years**

(21) Appl. No.: **29/545,469**

(22) Filed: **Nov. 13, 2015**

(51) **LOC (10) Cl.** ..... **13-02**

(52) **U.S. Cl.**  
USPC ..... **D13/107**

(58) **Field of Classification Search**

USPC ..... D13/102-110, 118, 119, 184, 199;  
D14/251, 253, 432, 434  
CPC ..... Y02E 60/10; Y02E 60/12; Y02E 60/122;  
Y02E 60/124; Y02E 60/50; H01M 2/022;  
H01M 2/0202; H01M 2/0207; H01M  
2/0212; H01M 2/1061; H01M 2/1022;  
H01M 2/1055; H01M 2/1066; H01M  
2/105; H01M 2/20; H01M 2/202; H01M  
2/204; H01M 2/206; H01M 10/44; H01M  
10/46; H01M 10/465; H01M 10/482;  
H01M 2200/30; H01M 2250/30; H01M  
2250/40; H02J 7/00; H02J 7/0003; H02J  
7/0011; H02J 7/0013; H02J 7/0054; H02J  
7/0055; H02J 7/0057; H02J 2007/0062

See application file for complete search history.

(56) **References Cited**

**U.S. PATENT DOCUMENTS**

D293,940 S \* 1/1988 Lasker ..... D26/65  
D572,654 S \* 7/2008 Kang ..... D13/107  
D591,244 S \* 4/2009 Birmingham ..... D13/133  
D617,746 S \* 6/2010 Choi ..... D13/164  
D659,642 S \* 5/2012 Chen ..... D13/133

D664,146 S \* 7/2012 Hoehn ..... D14/433  
D694,703 S \* 12/2013 Faro ..... D13/103  
D706,711 S \* 6/2014 Robinson ..... D13/110  
D713,838 S \* 9/2014 Andre ..... D14/253  
D733,046 S \* 6/2015 Shin ..... D13/107  
D737,763 S \* 9/2015 Capriola ..... D13/110  
D754,602 S \* 4/2016 Capriola ..... D13/110  
D766,241 S \* 9/2016 Maletz ..... D10/104.1  
D768,569 S \* 10/2016 Ohno ..... D13/107  
D770,972 S \* 11/2016 Kruglak ..... D13/107  
2010/0311300 A1 \* 12/2010 Hansen ..... A63H 33/042  
446/91  
2014/0127965 A1 \* 5/2014 Adam ..... A63H 33/042  
446/91  
2016/0258473 A1 \* 9/2016 Koop ..... F16M 13/022

\* cited by examiner

*Primary Examiner* — Rosemary K Tarcza

*Assistant Examiner* — Alison Ofstun

(57) **CLAIM**

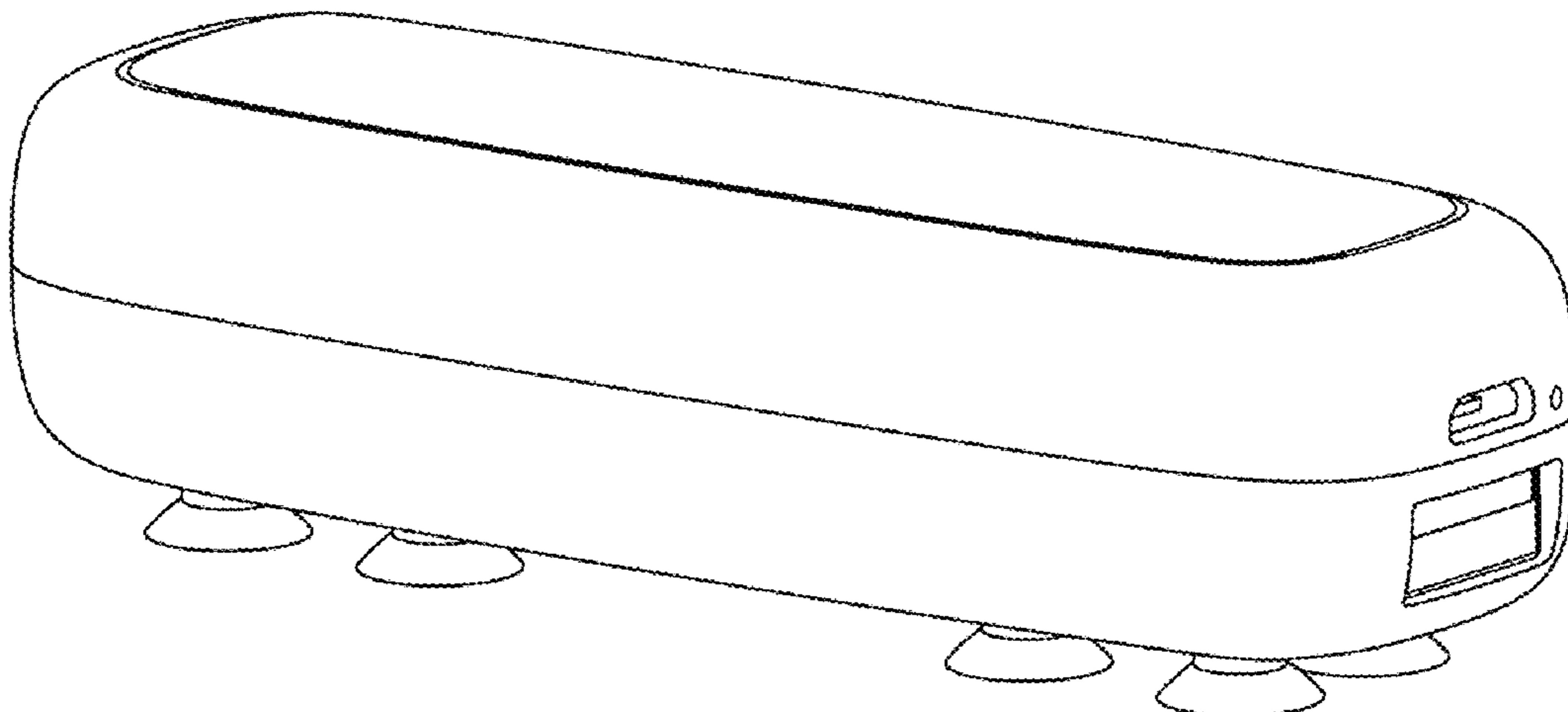
The ornamental design for a charger, as shown and described.

**DESCRIPTION**

FIG. 1 is a front elevational view of a charger showing my new design;  
FIG. 2 is a rear elevational view thereof;  
FIG. 3 is a left side view thereof;  
FIG. 4 is a right side view thereof;  
FIG. 5 is a top plan view thereof;  
FIG. 6 is a bottom plan view thereof;  
FIG. 7 is a perspective view thereof; and,  
FIG. 8 is another perspective view thereof.

The broken lines shown in the drawings are included for the purpose of illustrating unclaimed portions of the charger, and form no part of the claimed design.

**1 Claim, 4 Drawing Sheets**



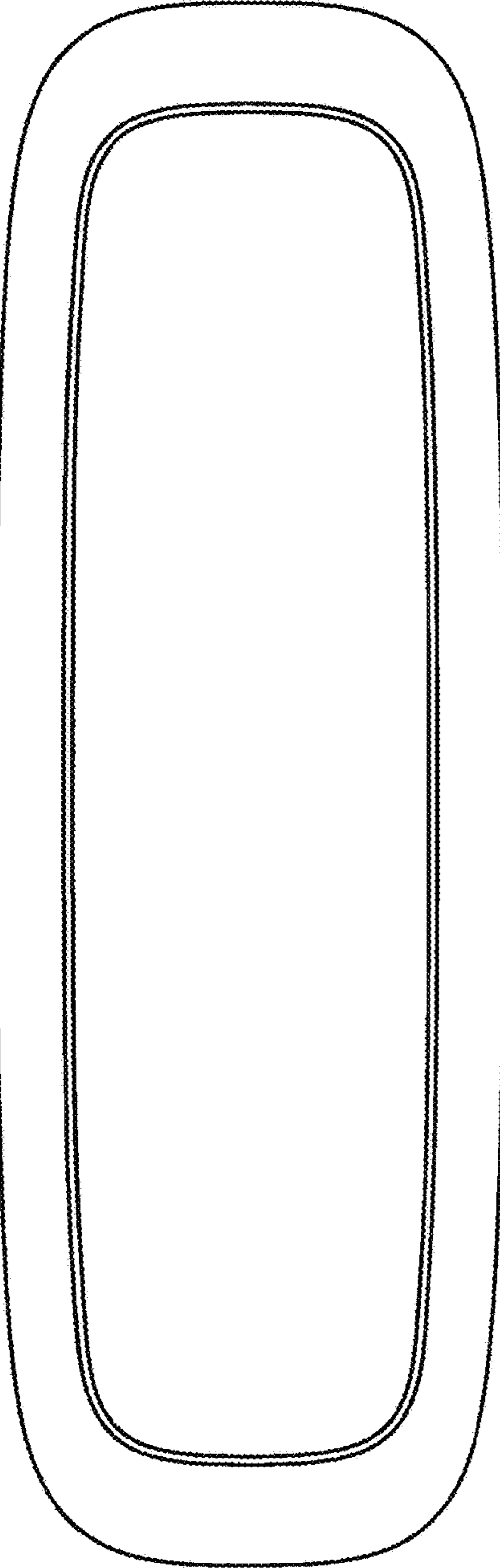


FIG. 1

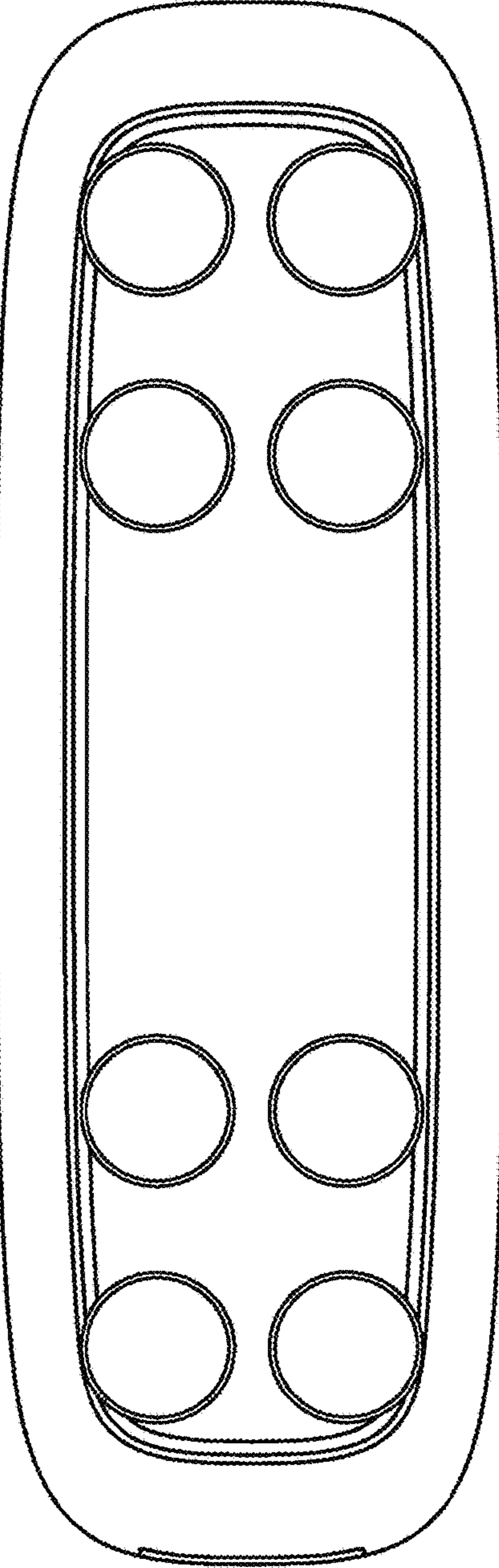


FIG. 2

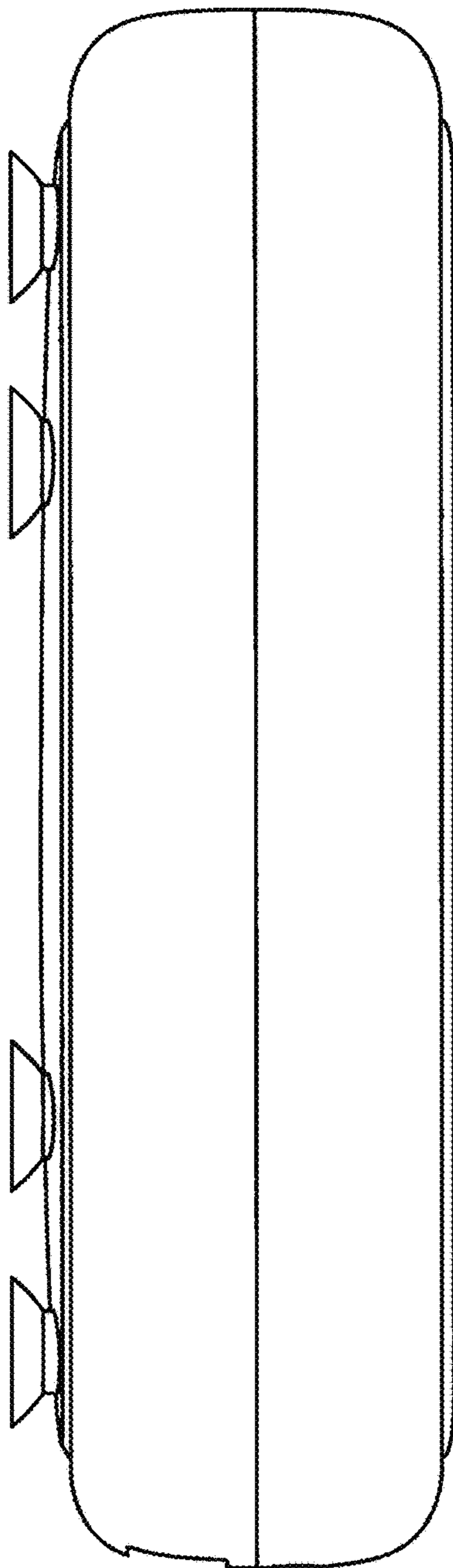


FIG. 3

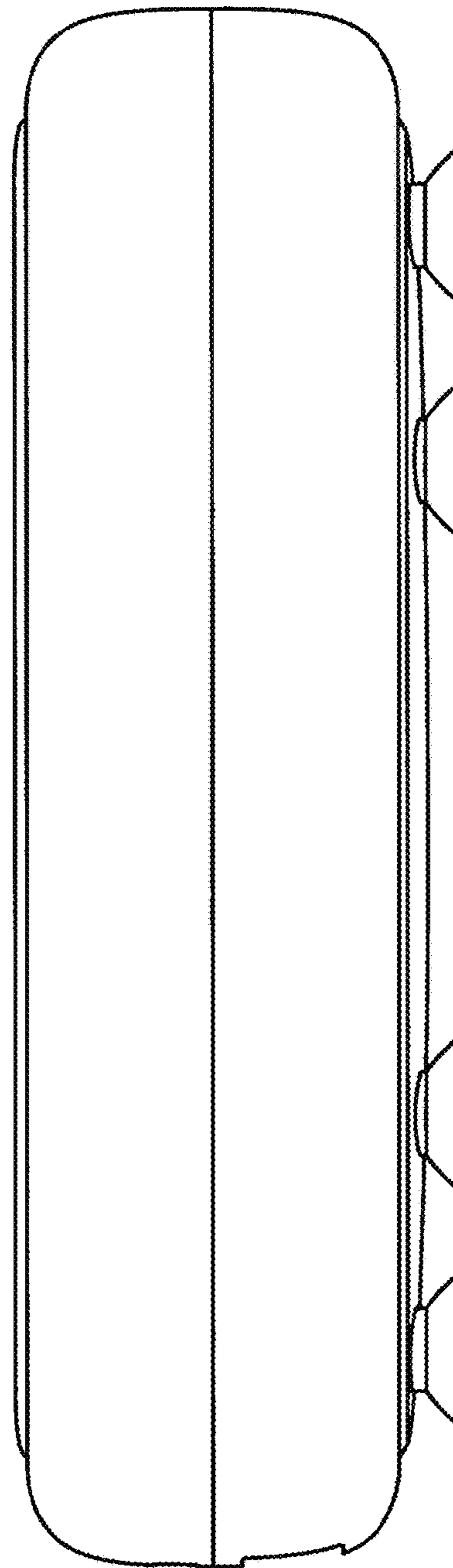


FIG. 4

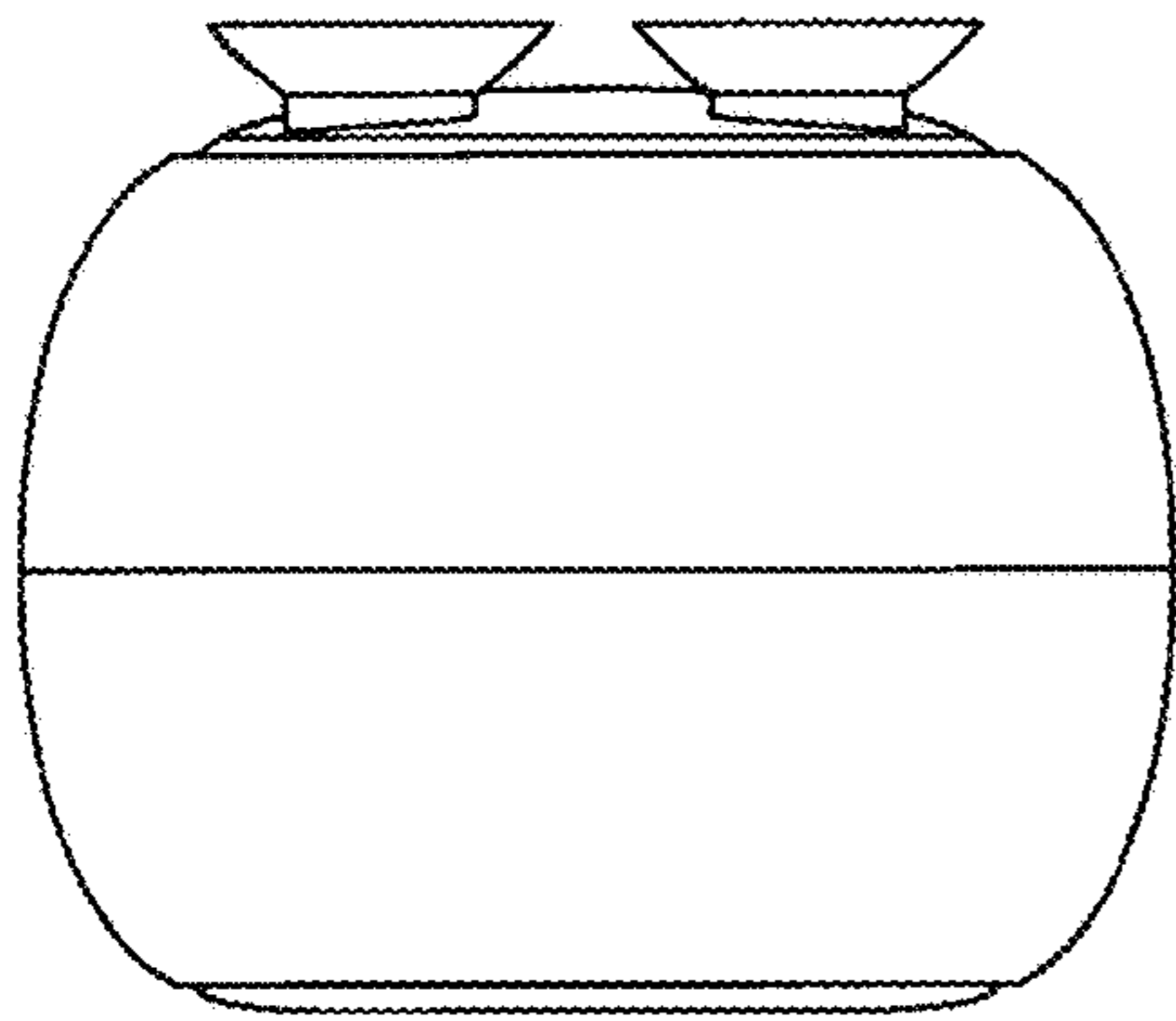


FIG. 5

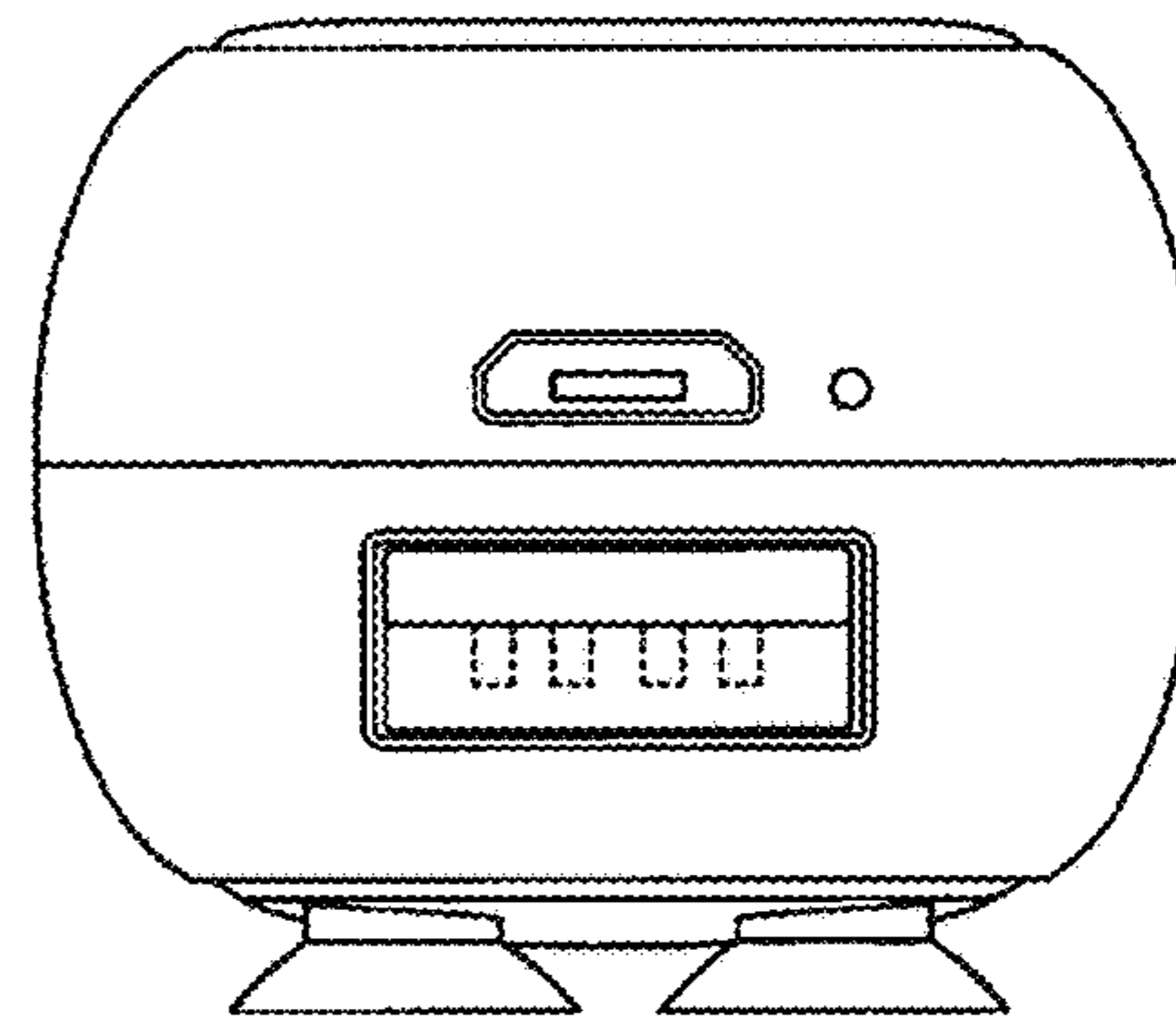


FIG. 6

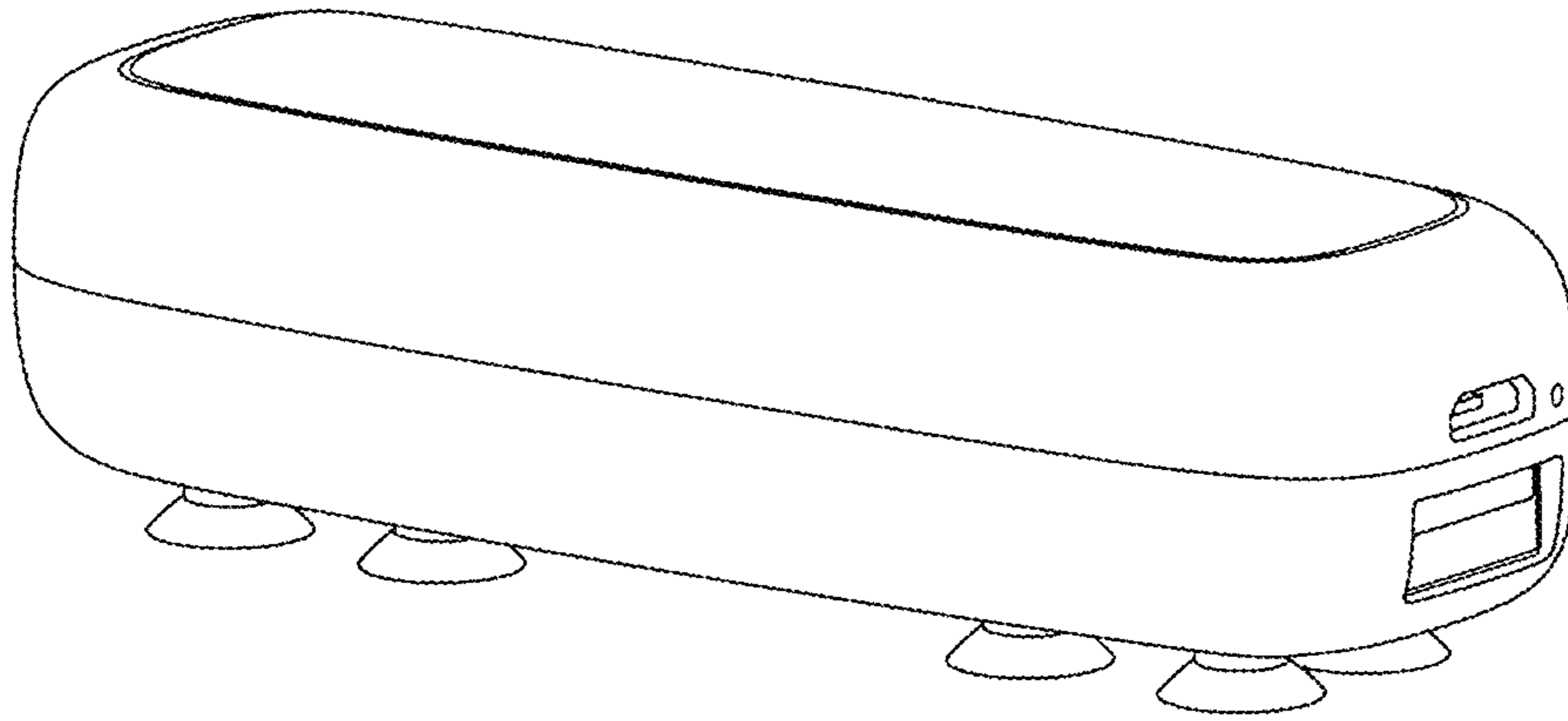


FIG. 7

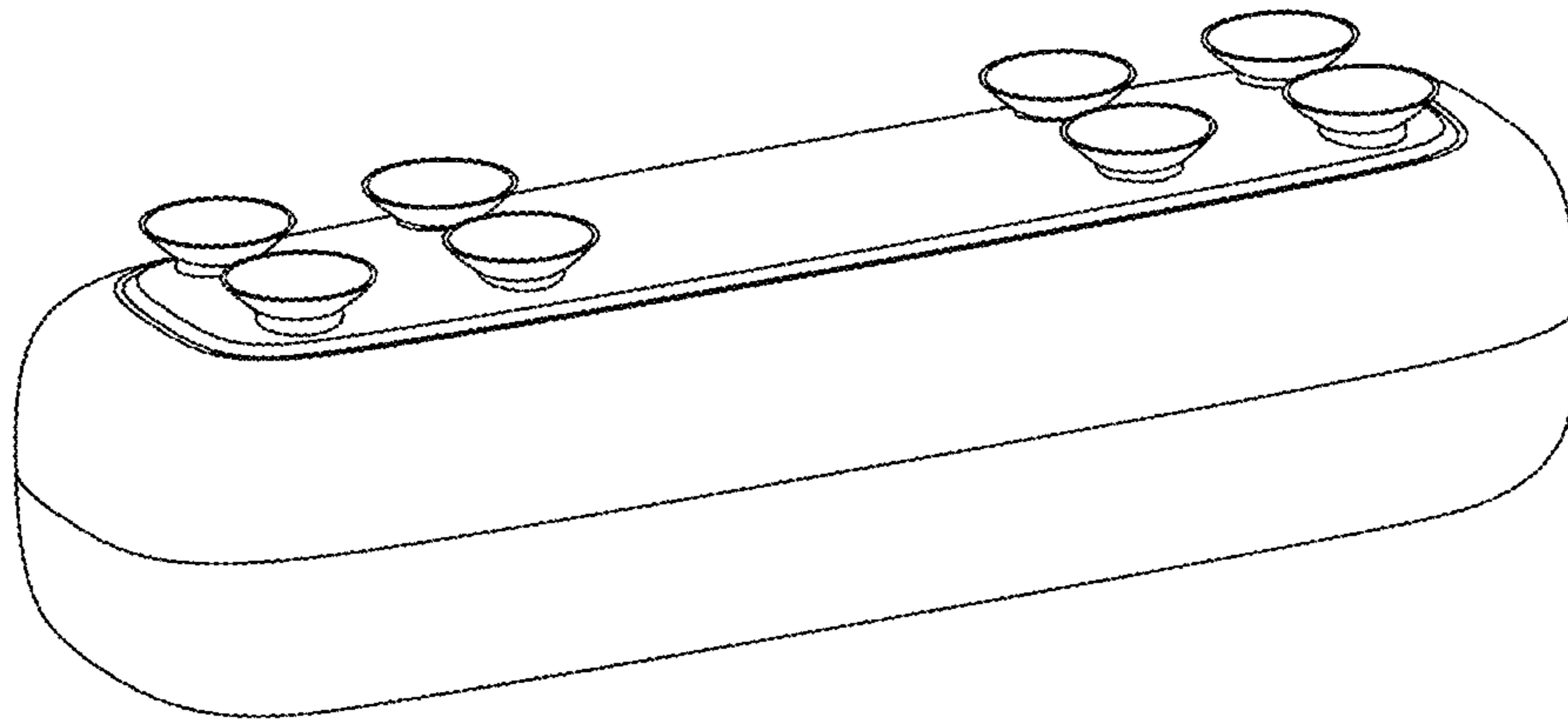


FIG. 8