

US00D791069S

(12) **United States Design Patent** (10) **Patent No.:** **US D791,069 S**  
**Mota et al.** (45) **Date of Patent:** **\*\* Jul. 4, 2017**

(54) **SOLAR POWER CHARGING**  
(71) Applicants: **Andre Mota**, Miami, FL (US);  
**Alejandro Aparicio**, Miami, FL (US)  
(72) Inventors: **Andre Mota**, Miami, FL (US);  
**Alejandro Aparicio**, Miami, FL (US)  
(\*\*) Term: **14 Years**  
(21) Appl. No.: **29/515,662**  
(22) Filed: **Jan. 26, 2015**  
(51) **LOC (10) Cl.** ..... **13-02**  
(52) **U.S. Cl.**  
USPC ..... **D13/102**  
(58) **Field of Classification Search**  
USPC ..... D13/102, 101, 103, 107, 108, 110, 199;  
126/569; 136/206, 243, 244, 245, 251,  
136/252; 320/101; 323/906  
CPC ..... H01L 31/18; H01L 31/022433; H01L  
31/0224; H01L 31/0475; H01L 31/042;  
H02S 10/40; Y02E 10/50  
See application file for complete search history.

D723,205 S \* 2/2015 Prommel ..... D26/70  
D741,255 S \* 10/2015 Harryson ..... D13/102  
2008/0298051 A1 \* 12/2008 Chu ..... F21S 8/086  
362/183  
2008/0308091 A1 \* 12/2008 Corio ..... H02S 20/32  
126/606  
2009/0050194 A1 \* 2/2009 Noble ..... E04B 7/12  
136/251  
2010/0176762 A1 7/2010 Daymude et al.  
2012/0126745 A1 5/2012 Partovi et al.  
2013/0033222 A1 2/2013 Hixson et al.  
2013/0099563 A1 4/2013 Partovi et al.  
2013/0132245 A1 5/2013 Hsieh et al.  
2013/0252577 A1 9/2013 Jordan  
2014/0103873 A1 4/2014 Partovi et al.  
2014/0132205 A1 5/2014 Paczkowski et al.

\* cited by examiner

*Primary Examiner* — Derrick Holland  
(74) *Attorney, Agent, or Firm* — Malloy & Malloy, P.L.

(57) **CLAIM**

The ornamental design for a solar power charging, as shown and described.

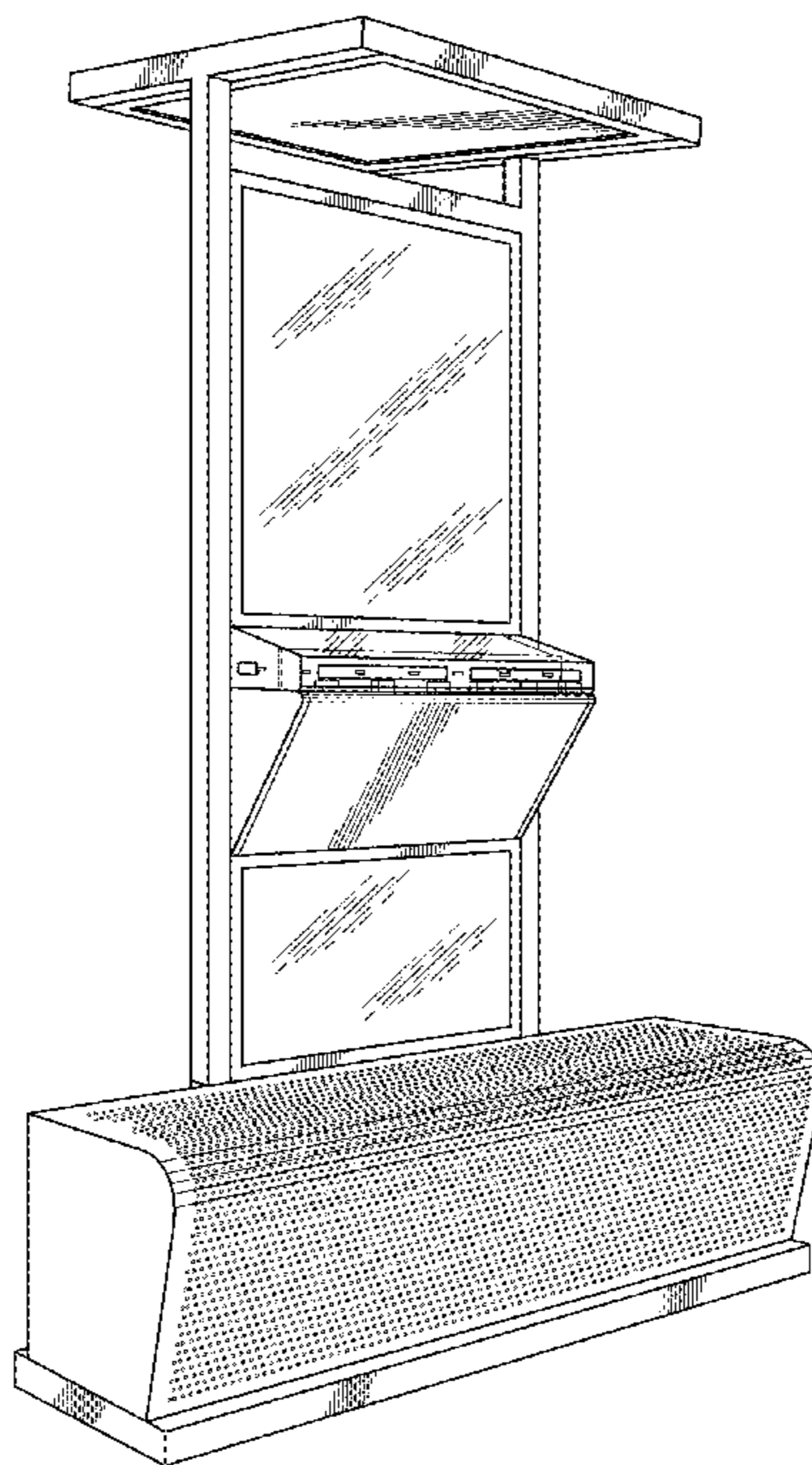
**DESCRIPTION**

FIG. 1 is a front perspective view of a solar power charging showing our new design;  
FIG. 2 is a front view thereof;  
FIG. 3 is a left side view thereof;  
FIG. 4 is a top view thereof;  
FIG. 5 is a right side view thereof;  
FIG. 6 is a bottom view thereof;  
FIG. 7 is a rear view thereof; and,  
FIG. 8 is a rear perspective view thereof.

**1 Claim, 8 Drawing Sheets**

(56) **References Cited**  
U.S. PATENT DOCUMENTS

6,396,239 B1 \* 5/2002 Benn ..... F24J 2/36  
307/150  
D505,113 S \* 5/2005 Lam ..... D13/107  
D565,505 S \* 4/2008 Shugar ..... D13/102  
D595,645 S \* 7/2009 Beghelli ..... D13/102  
D668,215 S \* 10/2012 Lerner ..... D13/102  
D671,885 S \* 12/2012 Steinau ..... D13/102  
D688,621 S \* 8/2013 Mozzardi ..... D13/102  
8,604,753 B2 12/2013 Bessa et al.



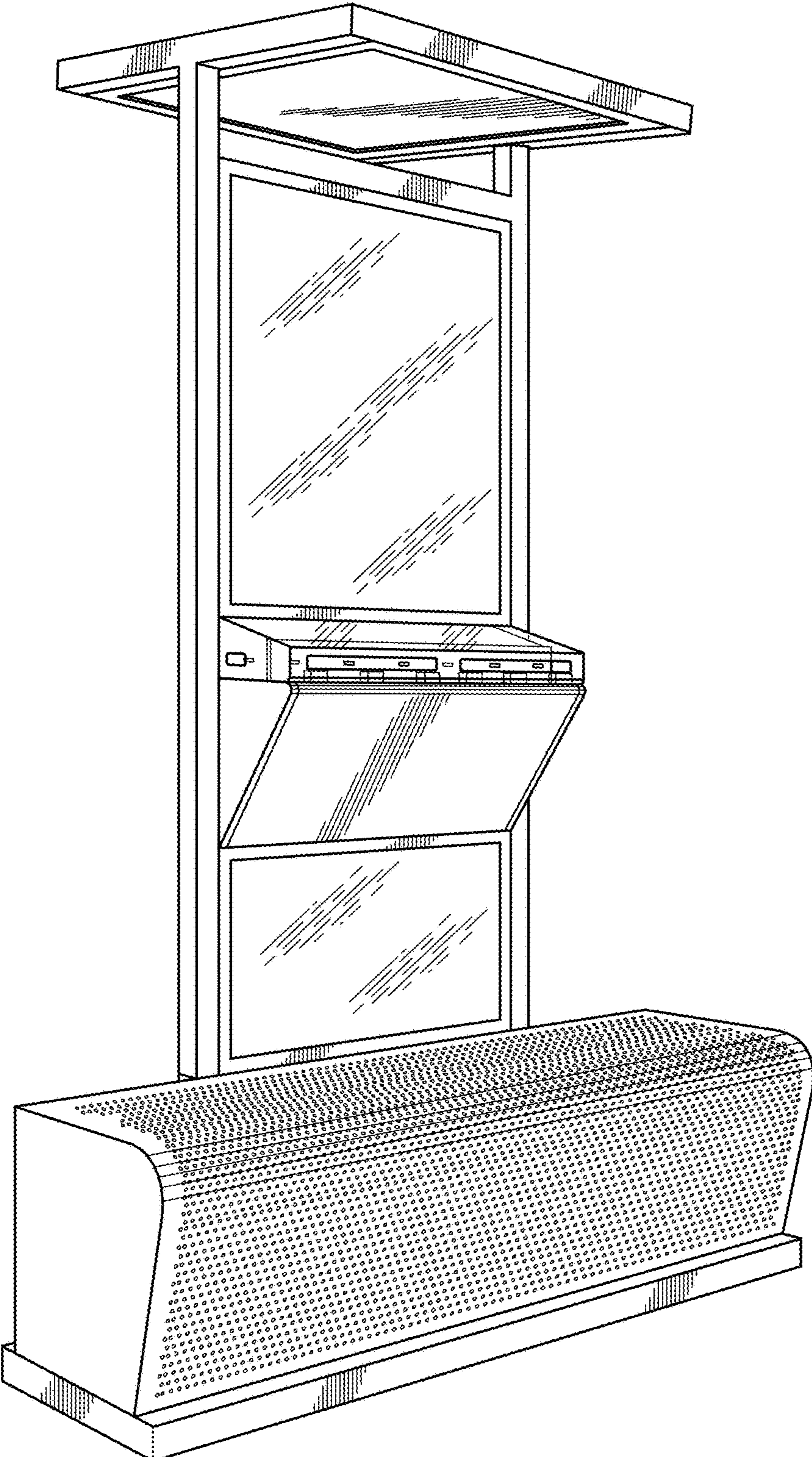


FIG. 1

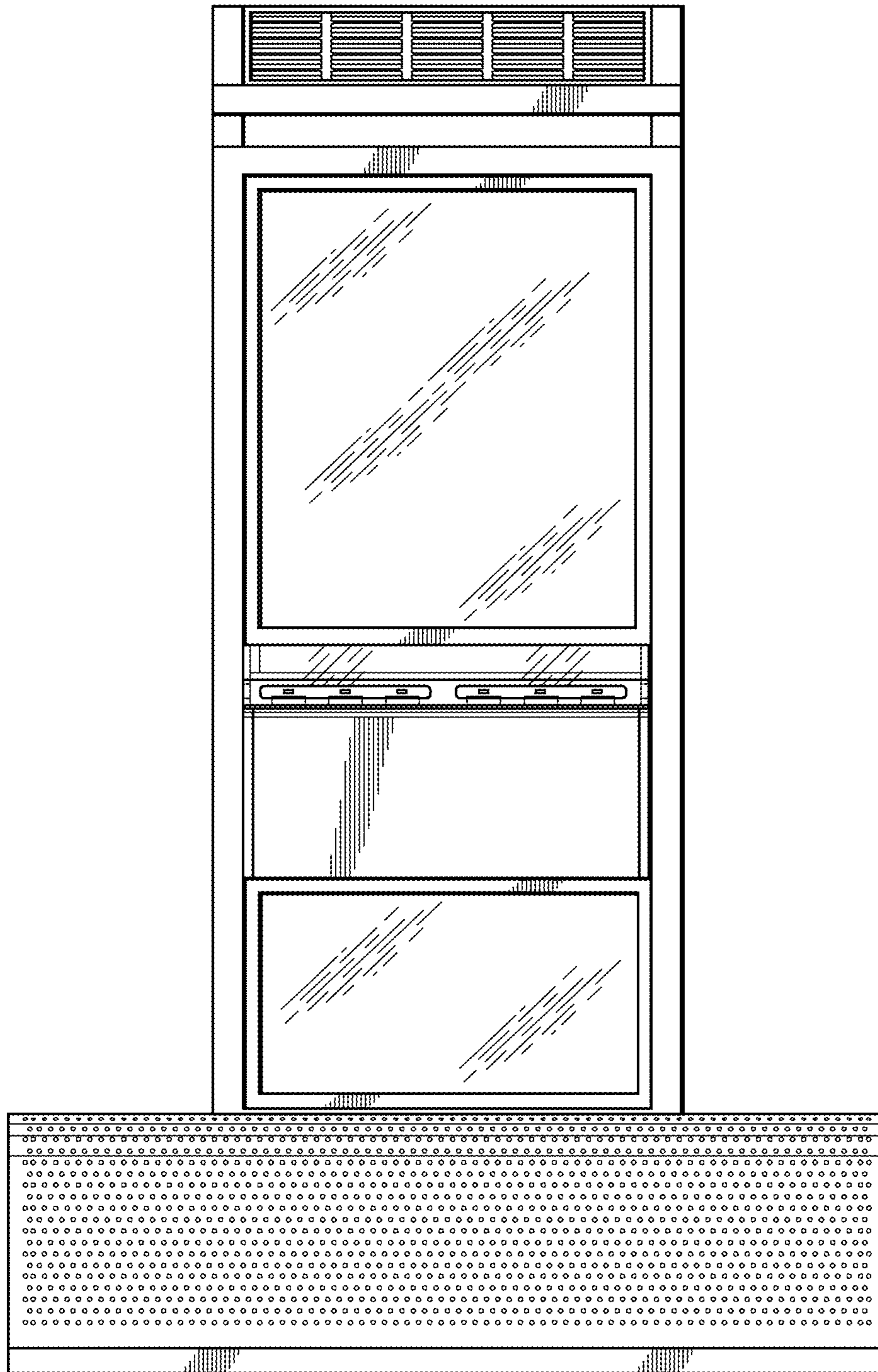


FIG. 2

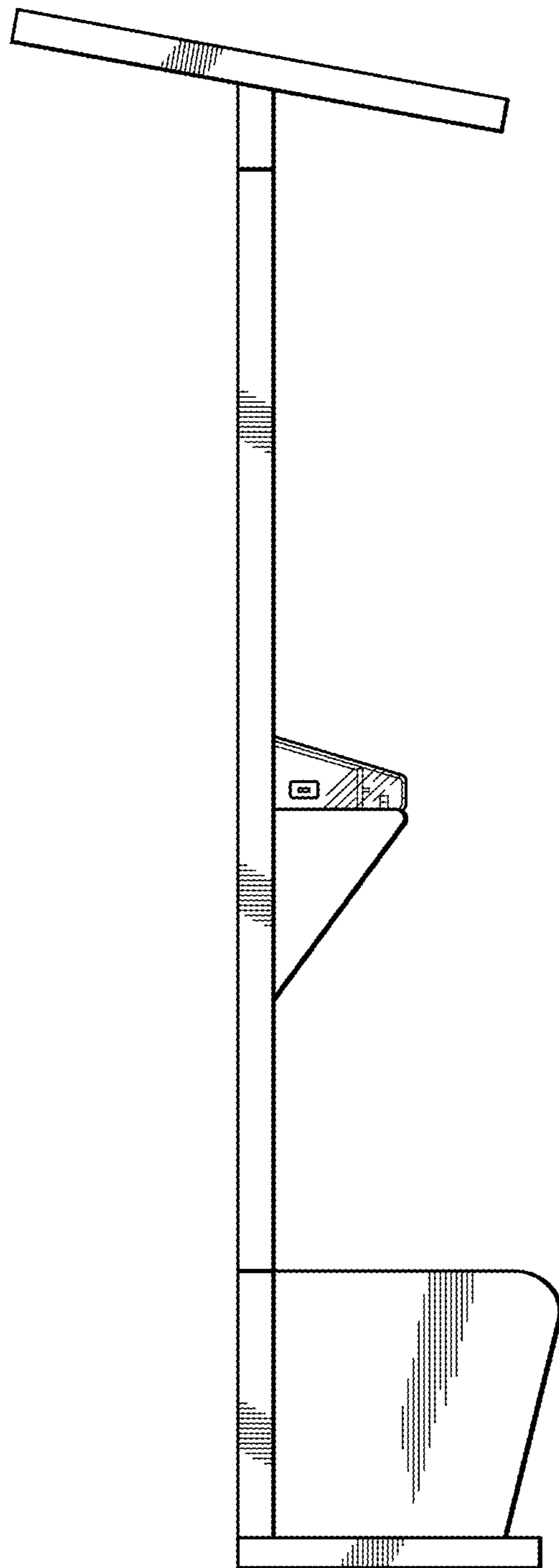


FIG. 3

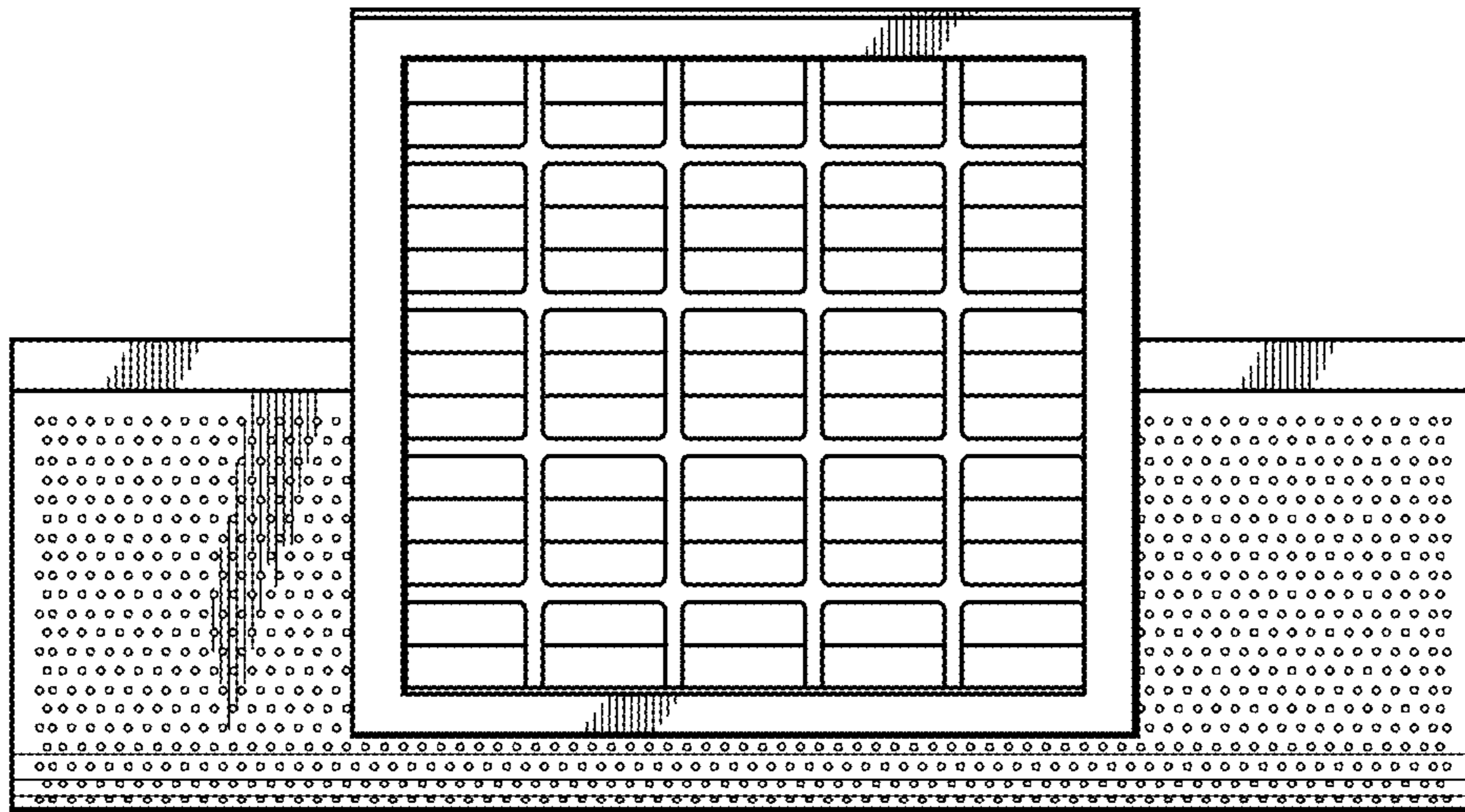


FIG. 4

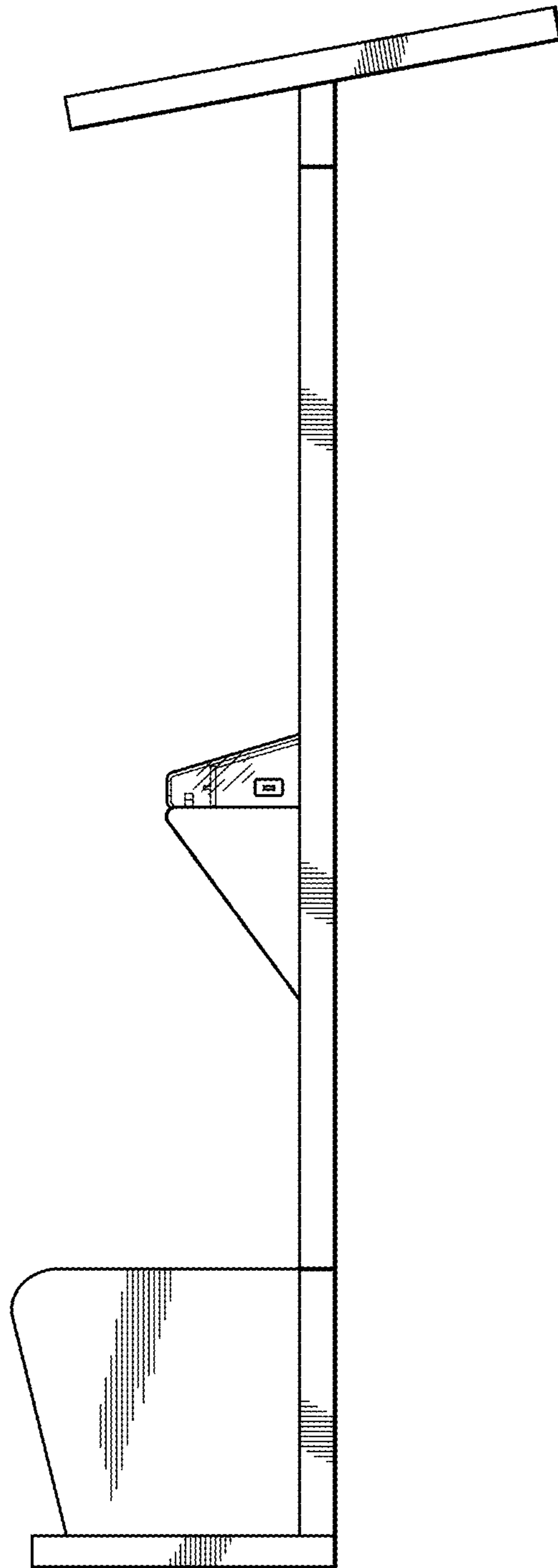


FIG. 5

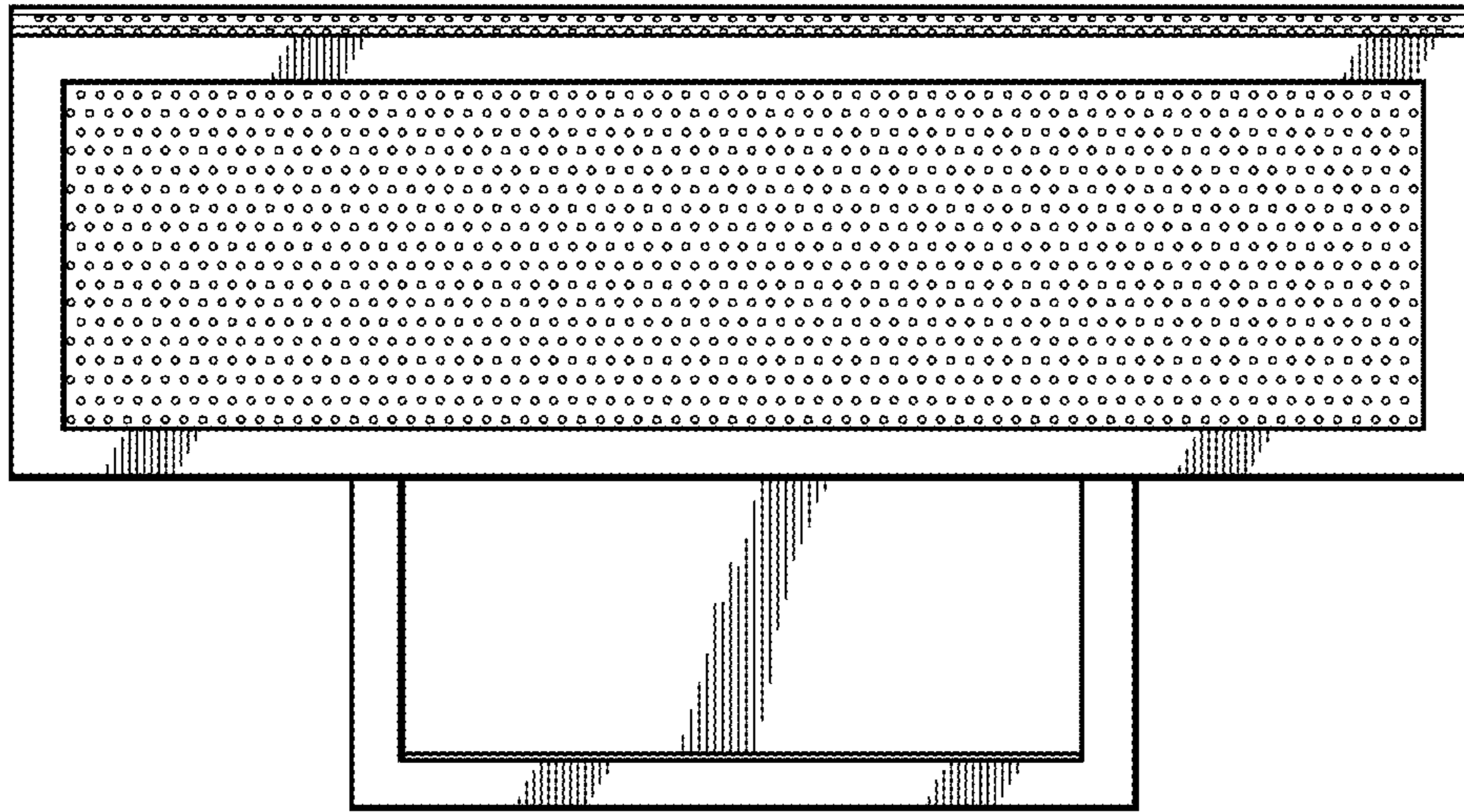


FIG. 6

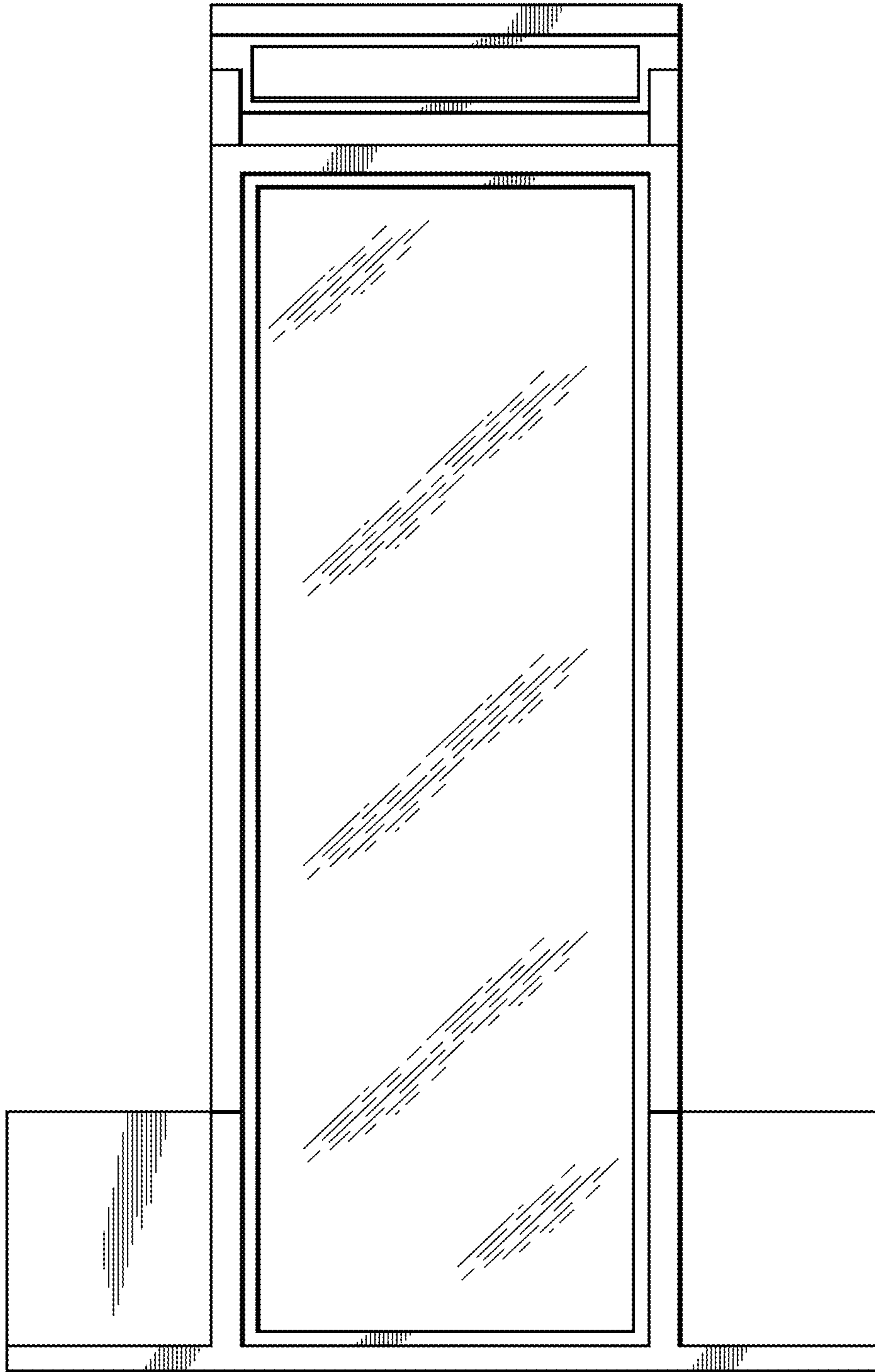


FIG. 7



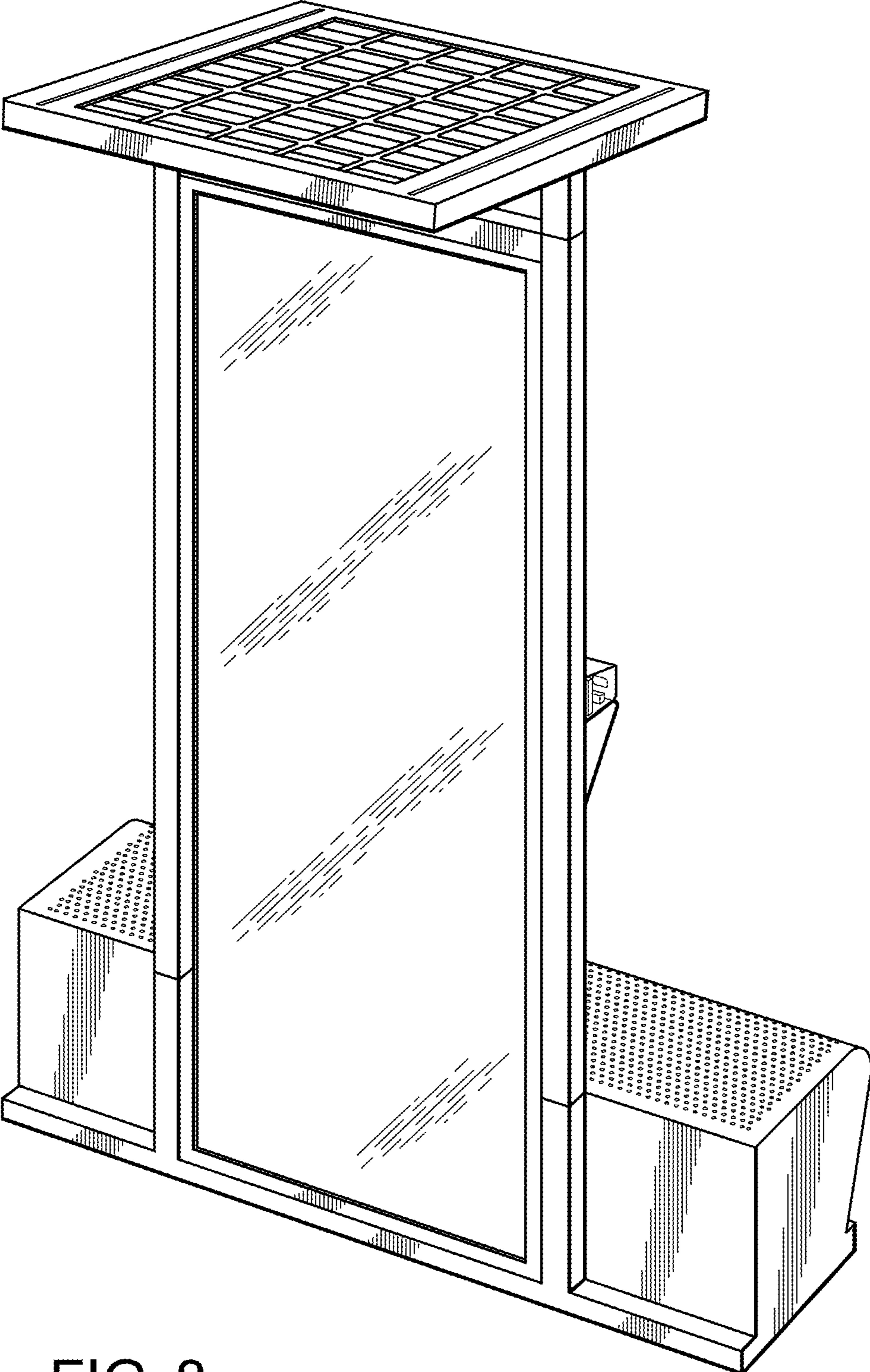


FIG. 8