

US00D791064S

(12) **United States Design Patent** (10) **Patent No.:** **US D791,064 S**
Bokken et al. (45) **Date of Patent:** **** Jul. 4, 2017**

(54) **TIRE**
(71) Applicant: **The Goodyear Tire & Rubber Company, Akron, OH (US)**
(72) Inventors: **Stephane Laurent Claude Bokken, Vielsalm (BE); Audrey Marie Paule Simon, Arion (BE); Pavel Kroupa, Gilsdorf (LU); Alexandre Vaisse, Berbourg (LU); Sylvain Fourme, Holzem (LU)**
(73) Assignee: **The Goodyear Tire & Rubber Company, Akron, OH (US)**
(**) Term: **15 Years**
(21) Appl. No.: **29/569,498**
(22) Filed: **Jun. 28, 2016**
(51) **LOC (10) Cl.** **12-15**
(52) **U.S. Cl.**
USPC **D12/517; D12/524**
(58) **Field of Classification Search**
USPC **D12/505-532, 900**
CPC **B60C 1/0016; B60C 11/0306; B60C 11/0302; B60C 3/06; B60C 9/17**
See application file for complete search history.

D670,232 S 11/2012 Leendertse et al. D12/518
D673,893 S 1/2013 Leendertse et al. D12/518
D679,241 S 4/2013 Fehl et al. D12/524

(Continued)

Primary Examiner — Robert M Spear
Assistant Examiner — John Voytek
(74) *Attorney, Agent, or Firm* — Robert N. Lipsik

(57) **CLAIM**

The ornamental design for a tire, as shown and described.

DESCRIPTION

FIG. 1 is a right side perspective view of a tire showing our new design, it being understood that the pattern repeats uniformly throughout the circumference of the tread;
FIG. 2 is a left side perspective view thereof;
FIG. 3 is a front elevational view thereof;
FIG. 4 is a right side elevational view thereof;
FIG. 5 is a left side elevational view thereof;
FIG. 6 is an enlarged fragmentary front elevational view thereof;
FIG. 7 is a right side perspective view of a second embodiment of a tire showing our new design, it being understood that the pattern repeats uniformly throughout the circumference of the tread; and,
FIG. 8 is a front elevational view of a second embodiment, it being understood that an enlarged fragmentary view thereof would be substantially identical to that shown in FIG. 6, with the exception of the inclusion of the sidewall in the claim.

In the drawings, the broken lines showing of the sidewall, inner bead and the peripheral boundary between the tire tread and the sidewall in FIGS. 1 through 6 depict environmental subject matter and form no part of the claimed design.

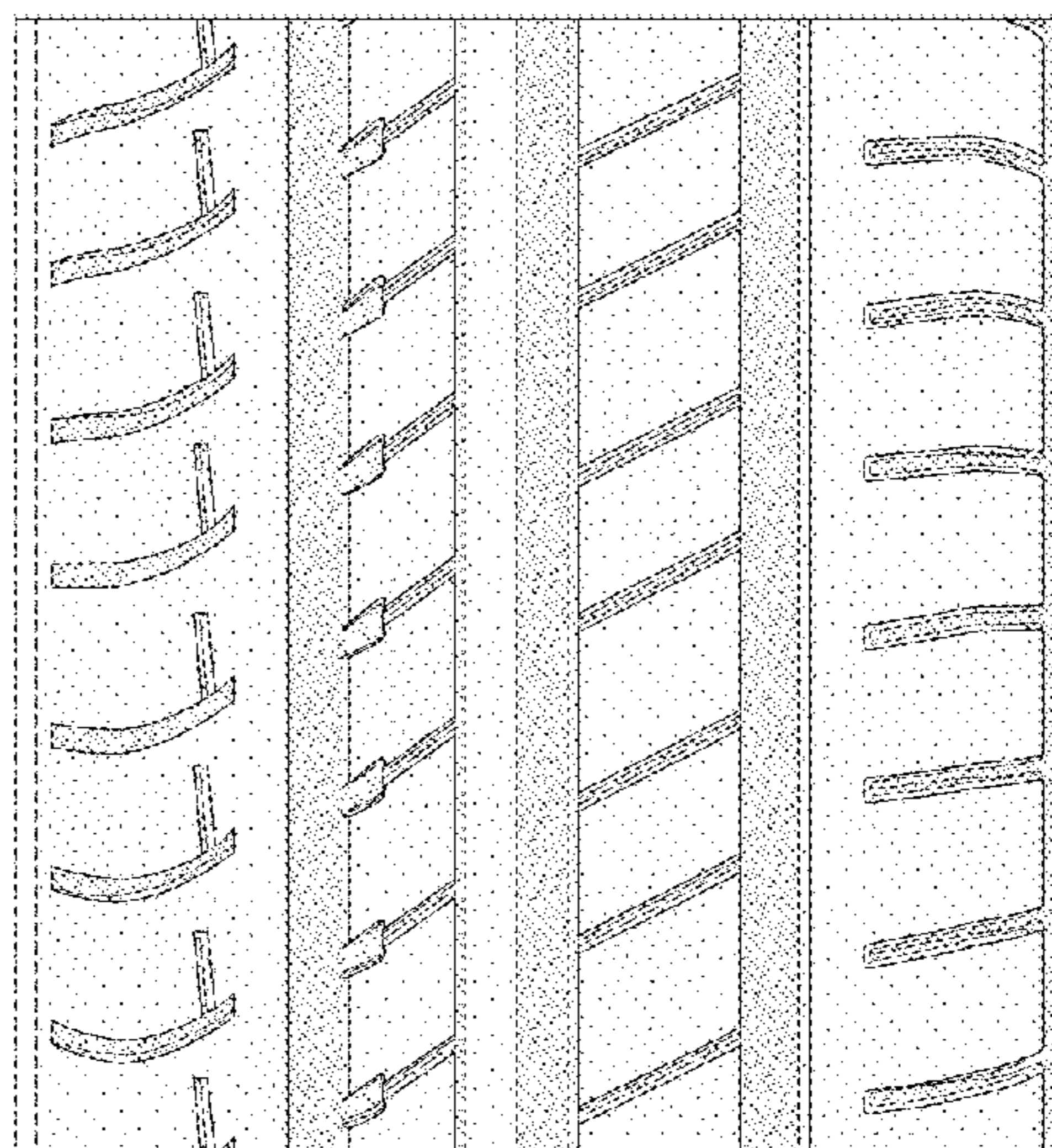
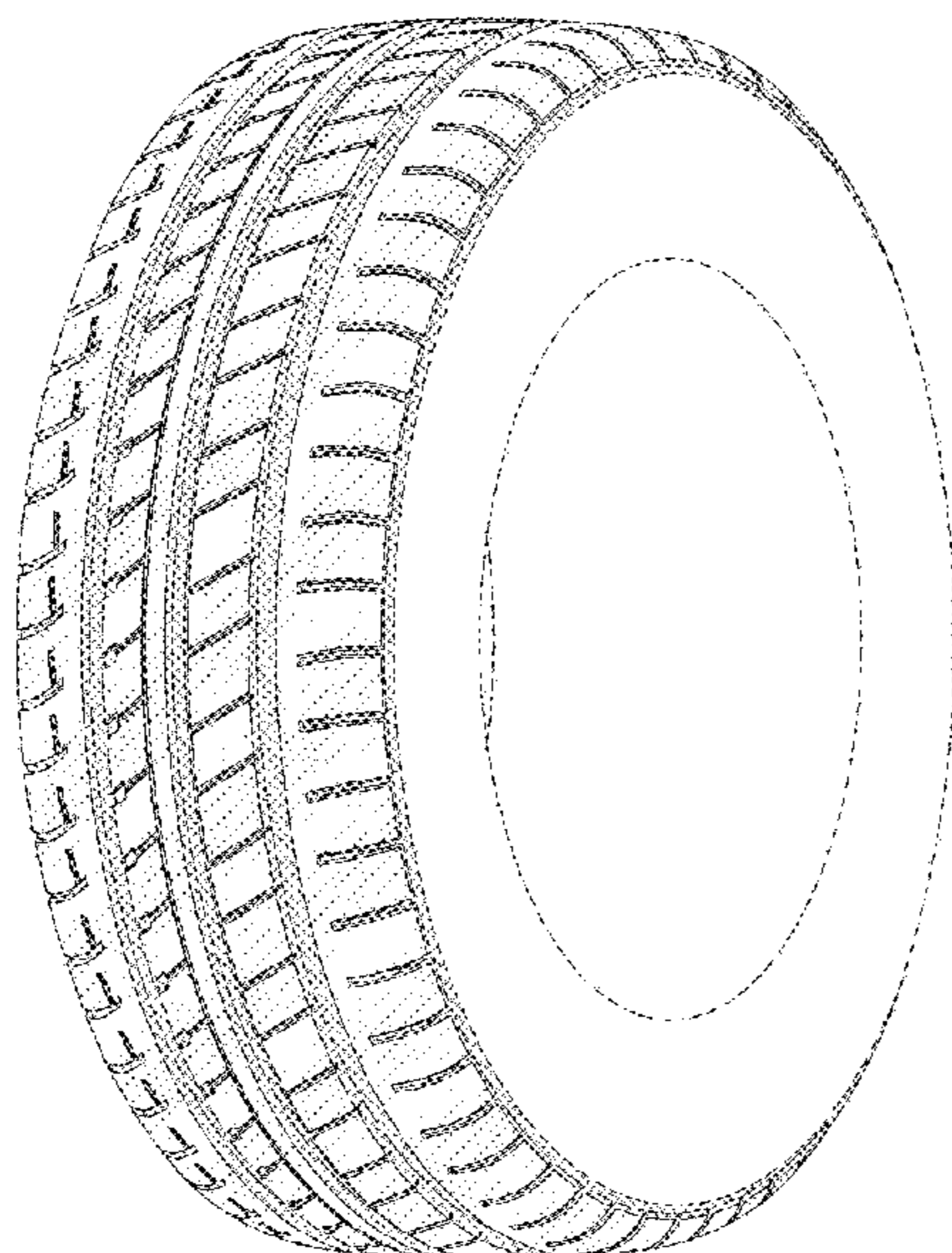
The dark stippled surface shading represents the recessed portion of the tread grooves having a depth as best shown in FIG. 3.

1 Claim, 8 Drawing Sheets

(56) **References Cited**

U.S. PATENT DOCUMENTS

D341,111 S 11/1993 Himuro et al. D12/147
D451,441 S 12/2001 Weber D12/146
D453,729 S 2/2002 Demagall et al. D12/523
D571,282 S 6/2008 Murata et al. D12/523
D619,080 S 7/2010 Woldtke et al. D12/519
D622,656 S * 8/2010 Ohashi D12/519
D637,546 S * 5/2011 Yonetsu D12/519
D647,455 S 10/2011 Frappart et al. D12/518
D659,633 S 5/2012 Bindner et al. D12/521
D665,336 S 8/2012 Skurich et al. D12/523



(56)

References Cited

U.S. PATENT DOCUMENTS

D708,116 S	7/2014	Caron et al.	D12/523
D709,433 S	7/2014	Inoue et al.	D12/517
D713,778 S *	9/2014	Muthigi	D12/521
D721,030 S *	1/2015	Kato	D12/517
D726,098 S *	4/2015	Sanae	D12/517
D730,807 S *	6/2015	Lundgren	D12/514
D734,707 S *	7/2015	Bogenschuetz	D12/517
D743,874 S	11/2015	Philipot et al.	D12/524
D747,677 S *	1/2016	Hughes	D12/517
D758,953 S *	6/2016	Ebiko	B60C 11/0309
			D12/515
D761,717 S *	7/2016	Fu	D12/521

* cited by examiner

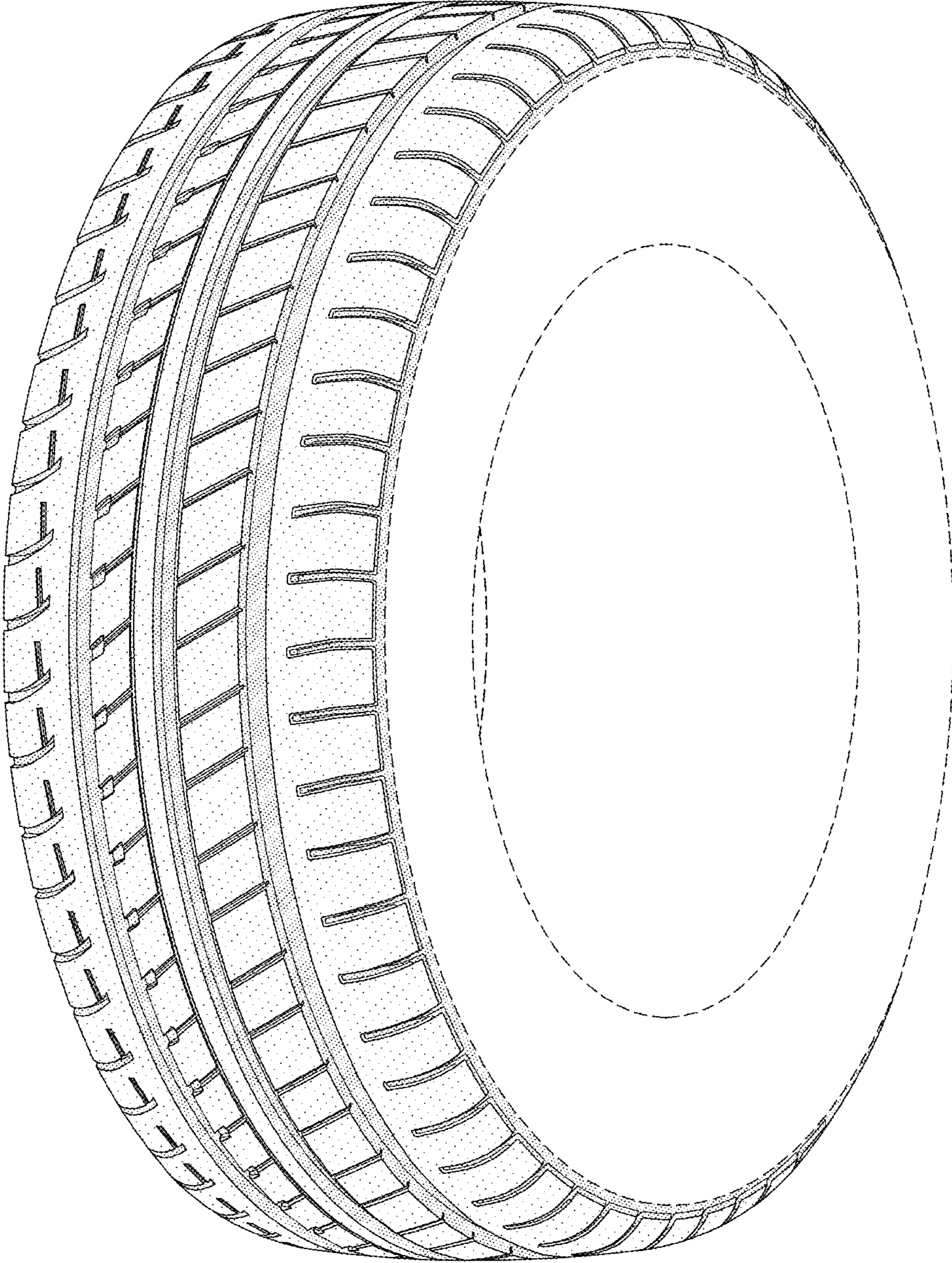


FIG-1

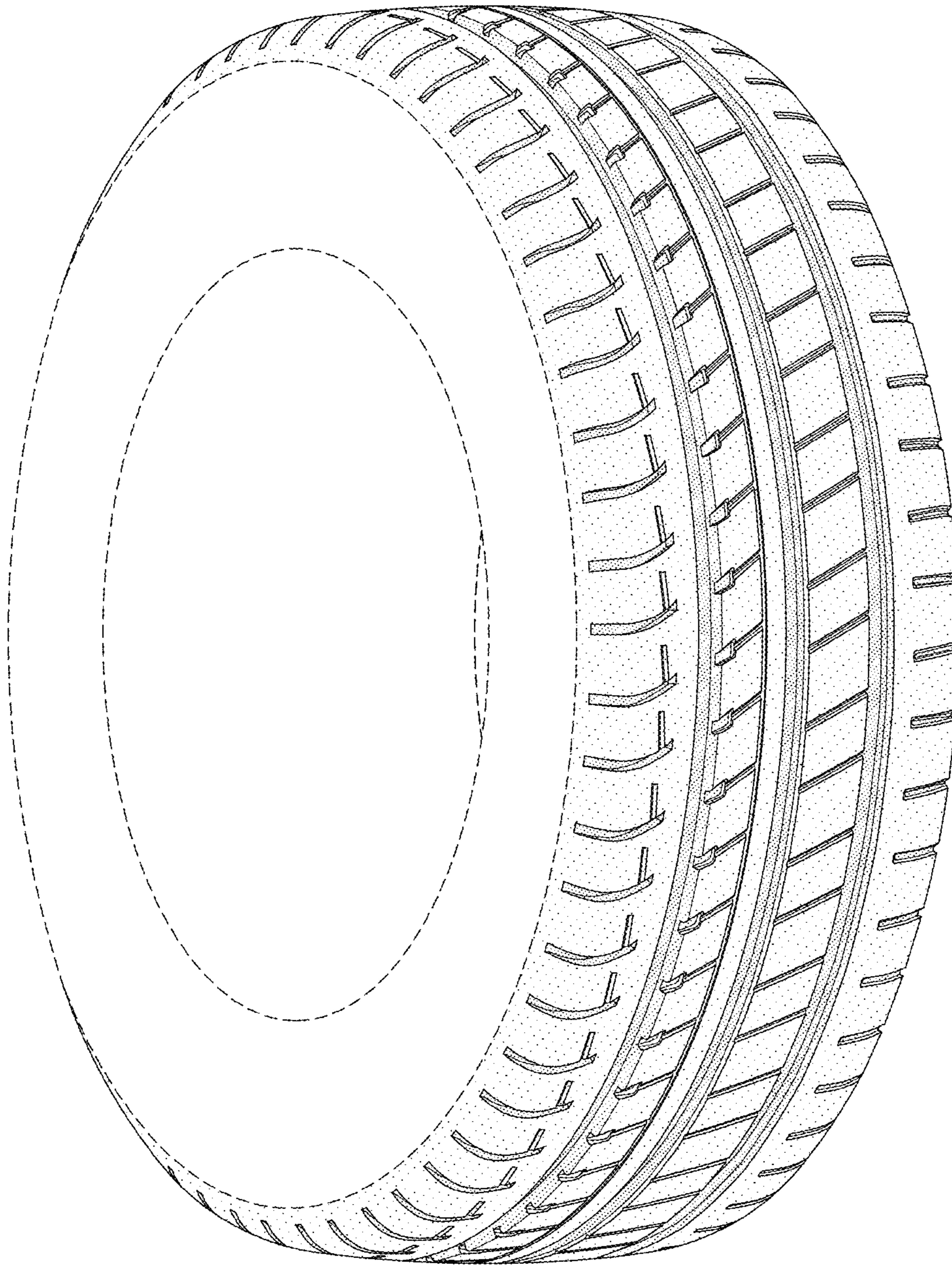


FIG-2

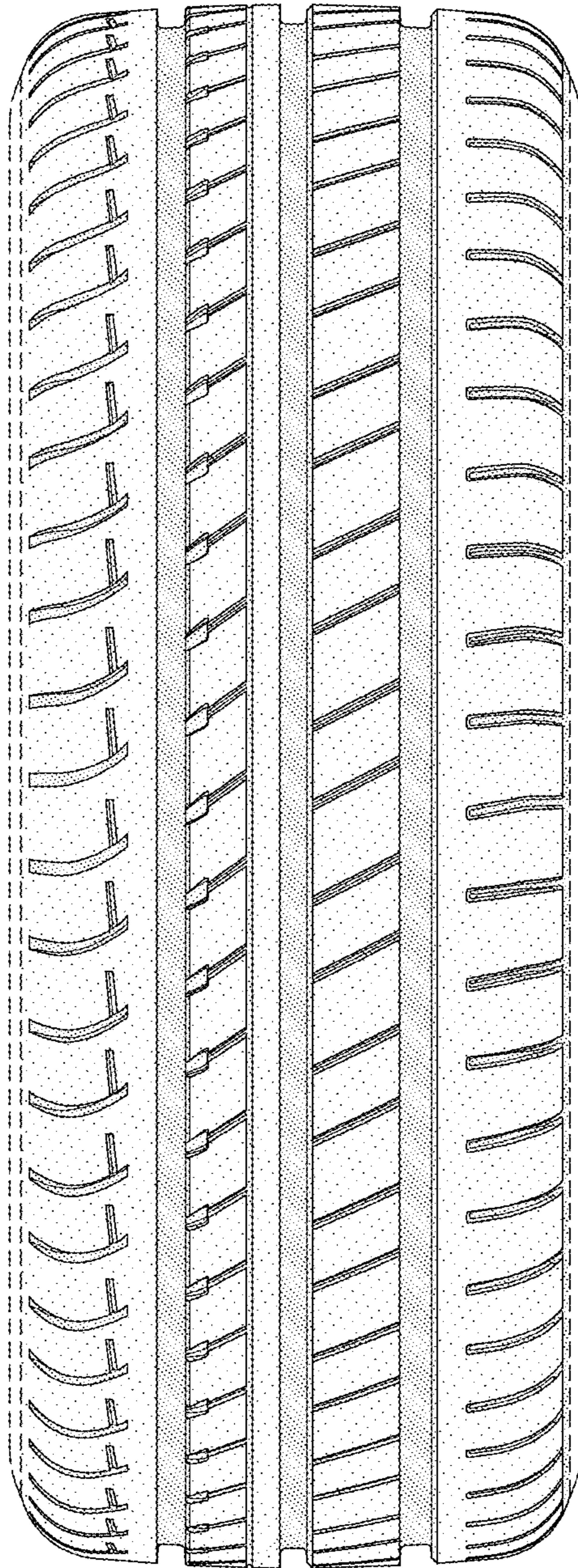


FIG-3

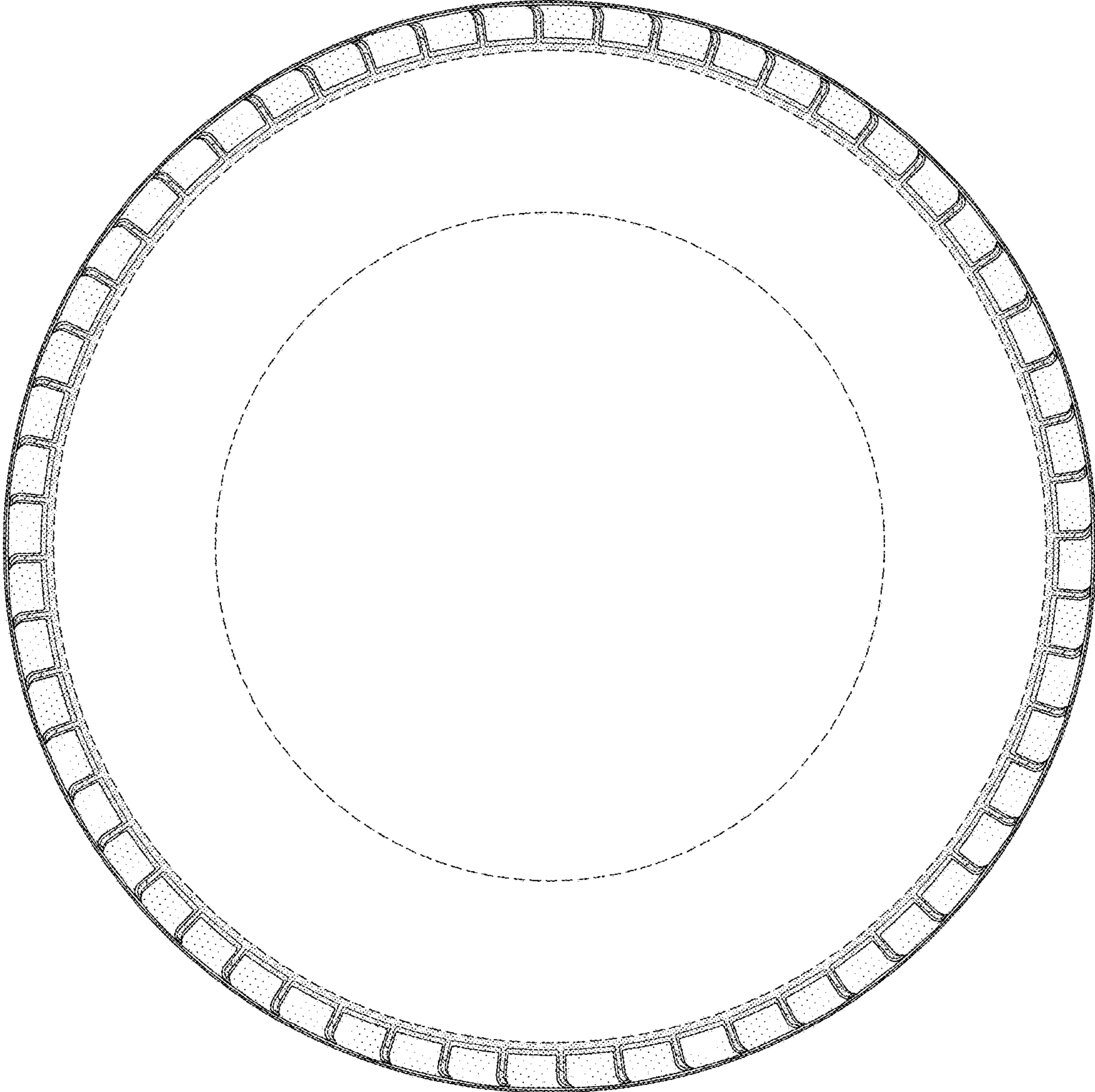


FIG-4

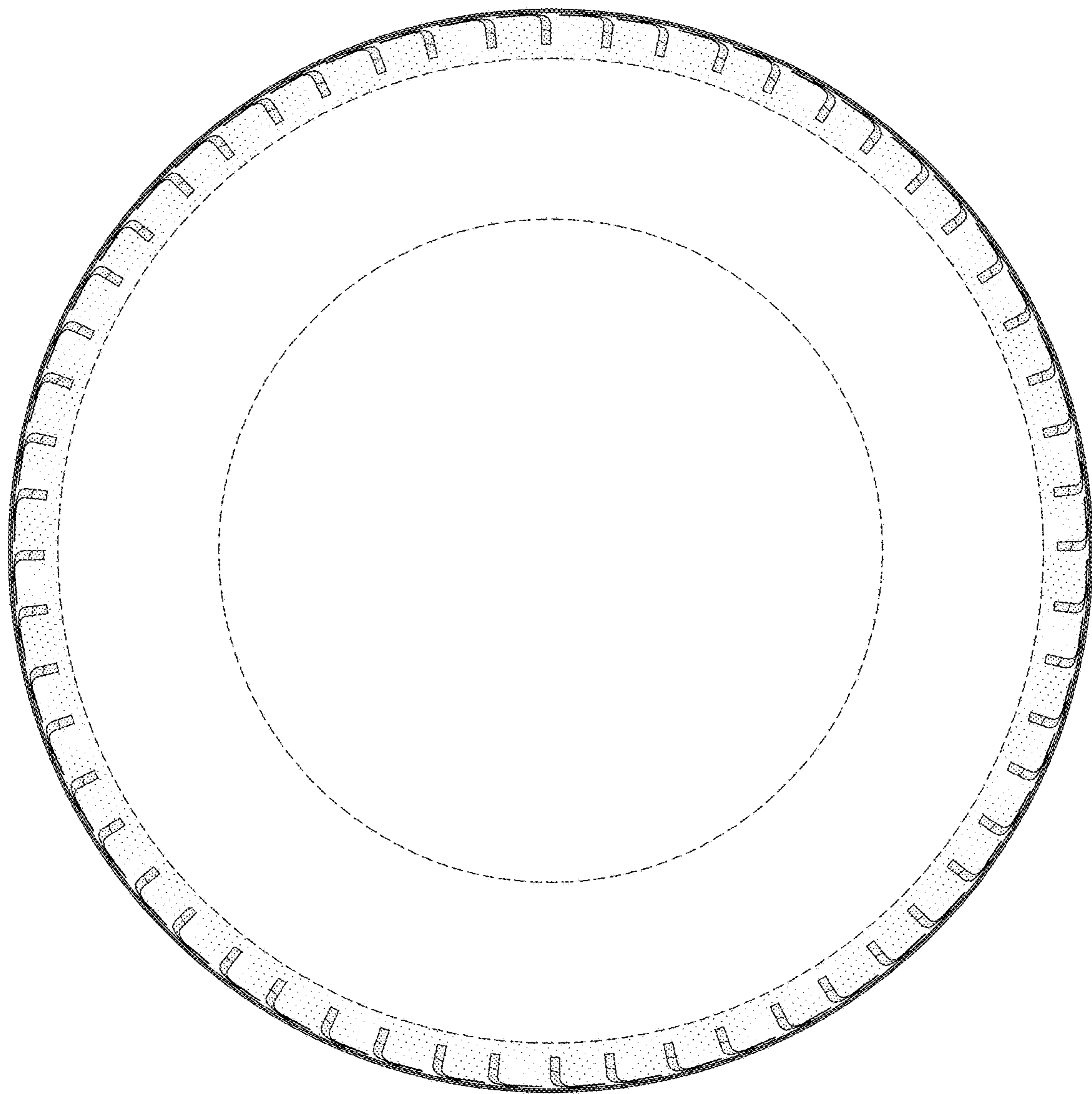


FIG-5

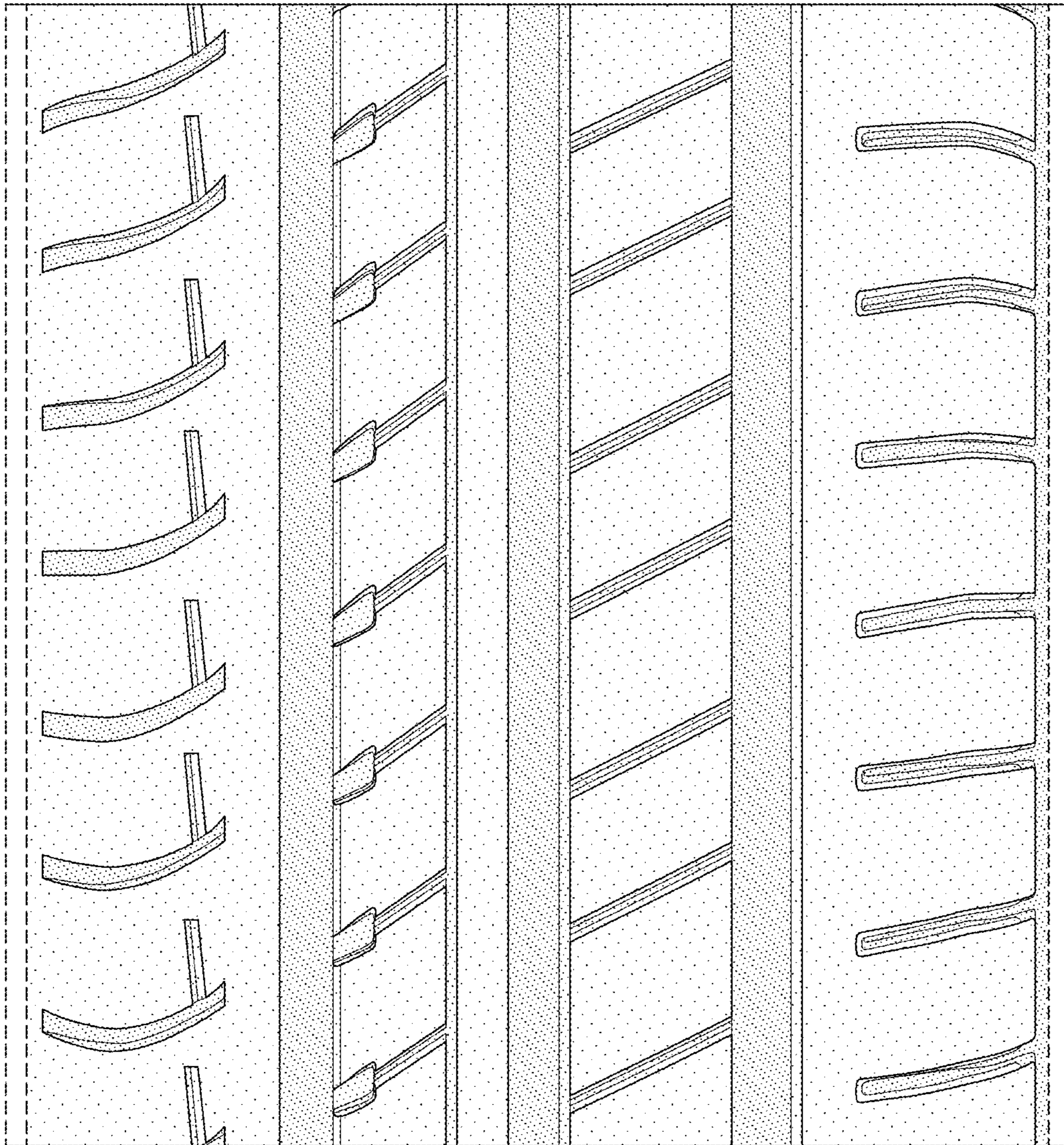


FIG-6

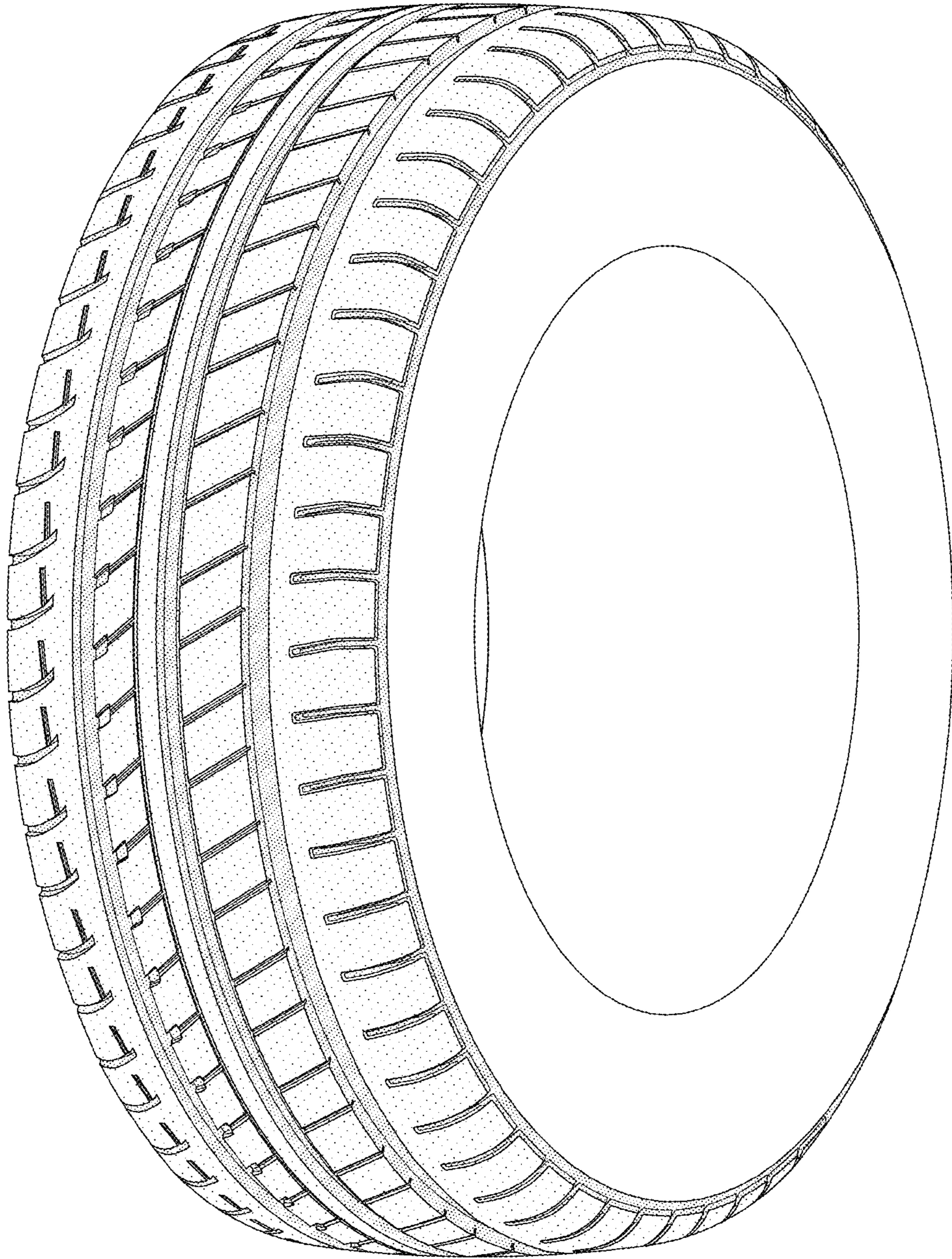


FIG-7

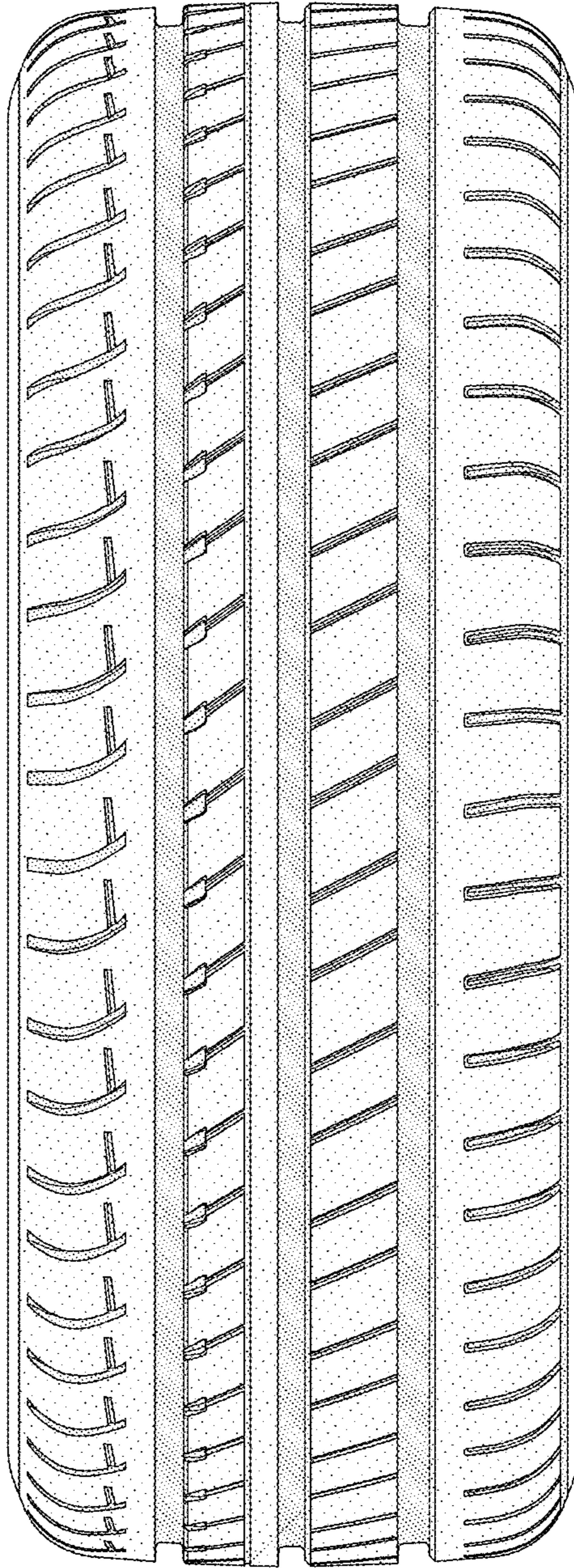


FIG-8