

US00D791062S

(12) **United States Design Patent**  
**Balmer**

(10) **Patent No.:** **US D791,062 S**

(45) **Date of Patent:** **\*\* Jul. 4, 2017**

(54) **VENT CLIP**  
(71) Applicant: **DayMen US, Inc.**, Petaluma, CA (US)  
(72) Inventor: **Noah Balmer**, Oakland, CA (US)  
(73) Assignee: **Daymen US, Inc.**, Petaluma, CA (US)  
(\*\*) Term: **15 Years**

9,283,900 B2 \* 3/2016 DeLine ..... B60Q 3/023  
D765,016 S \* 8/2016 Azadi ..... D12/415  
D767,556 S \* 9/2016 Lee ..... D12/415  
9,473,607 B2 \* 10/2016 An ..... H04M 1/11  
D772,784 S \* 11/2016 Higgins ..... D12/415  
D778,713 S \* 2/2017 McSweyn ..... D12/415  
D778,714 S \* 2/2017 McSweyn ..... D12/415  
2011/0108632 A1 \* 5/2011 Brandenburg ..... A61L 9/12  
239/34  
2012/0275950 A1 \* 11/2012 Hafner ..... A61L 9/032  
422/4

(21) Appl. No.: **29/527,431**  
(22) Filed: **May 19, 2015**  
(51) **LOC (10) Cl.** ..... **12-16**  
(52) **U.S. Cl.**  
USPC ..... **D12/415**  
(58) **Field of Classification Search**  
USPC ..... D12/415, 416-420, 400, 191, 106, 195,  
D12/192, 345, 96, 99  
CPC ..... A61L 9/12; A16L 9/04  
See application file for complete search history.

\* cited by examiner

*Primary Examiner* — Katrina A Betton

(74) *Attorney, Agent, or Firm* — Michael A. Guth

(57) **CLAIM**

The ornamental design for a vent clip, as shown and described.

**DESCRIPTION**

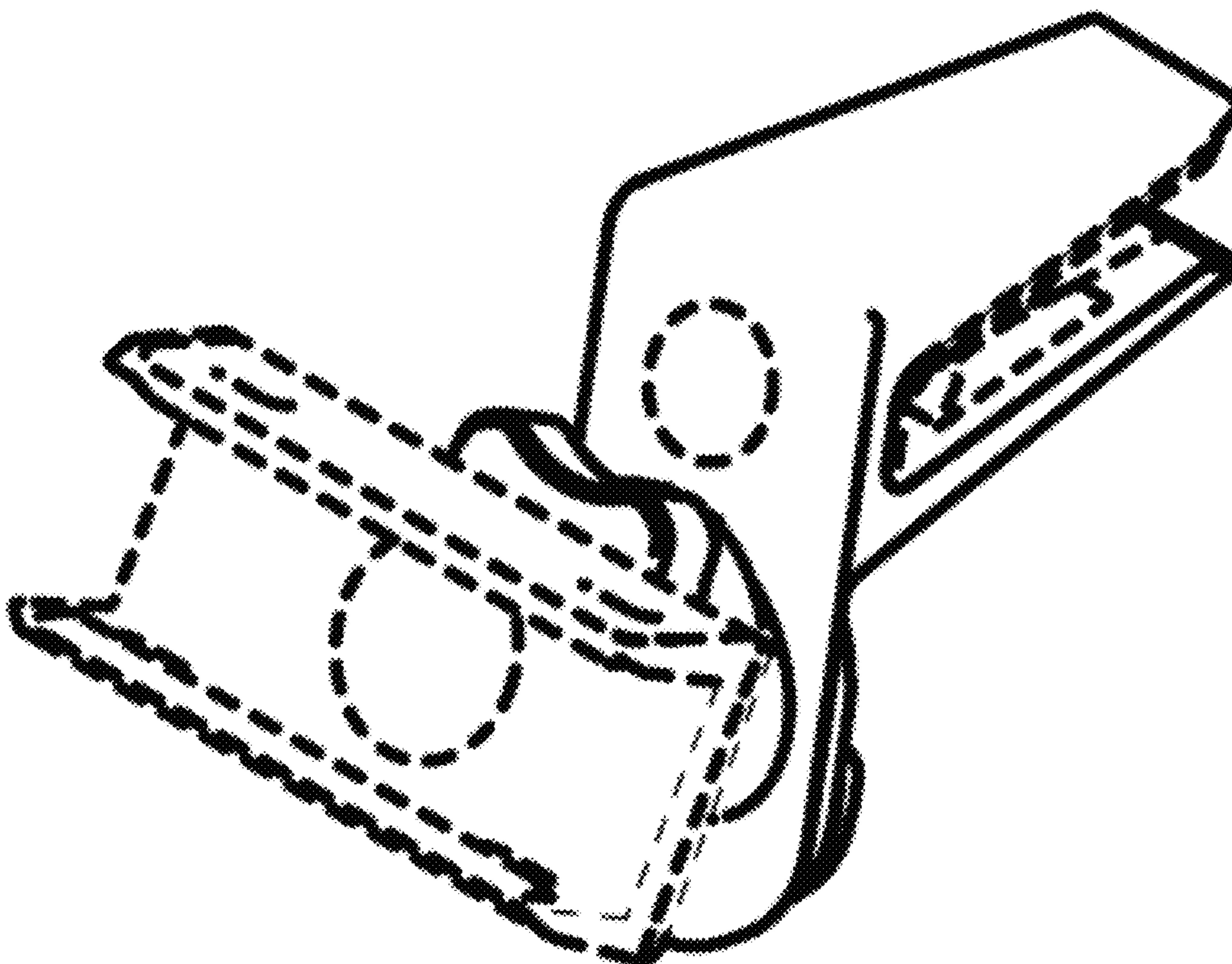
FIG. 1 is a raised perspective view of a vent clip.  
FIG. 2 is a right side view of a vent clip. The left side view is a mirror image.  
FIG. 3 is a rear view of a vent clip.  
FIG. 4 is a front view of a vent clip.  
FIG. 5 is a top view of a vent clip.  
FIG. 6 is a bottom view of a vent clip; and,  
FIG. 7 is a perspective view of a vent clip.

(56) **References Cited**

**U.S. PATENT DOCUMENTS**

D652,907 S \* 1/2012 Andrews ..... D23/393  
D676,371 S \* 2/2013 Son ..... D12/415  
D716,215 S \* 10/2014 Dunn ..... D12/415  
9,132,779 B2 \* 9/2015 Azadi ..... B60R 11/04

**1 Claim, 7 Drawing Sheets**



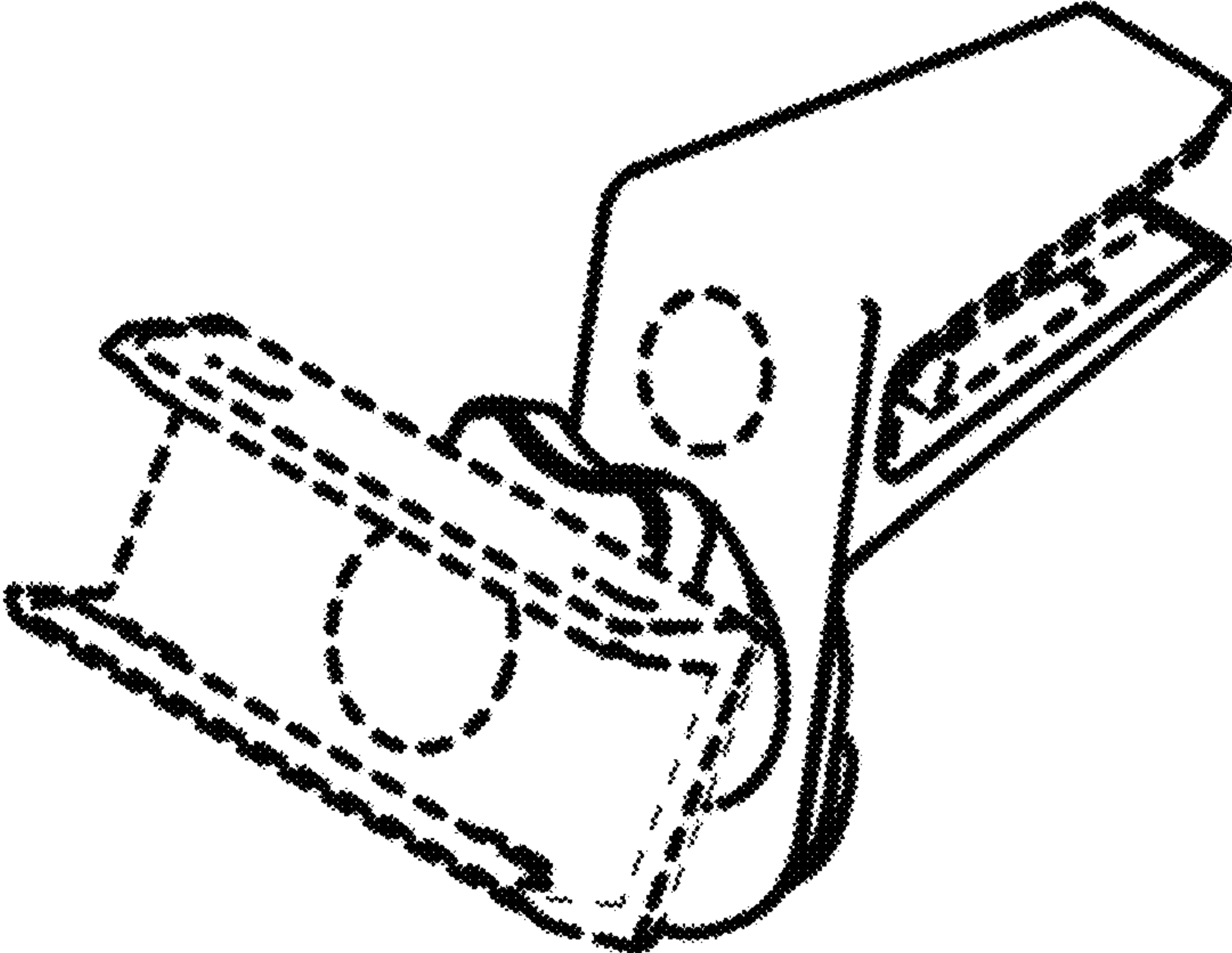


FIG. 1

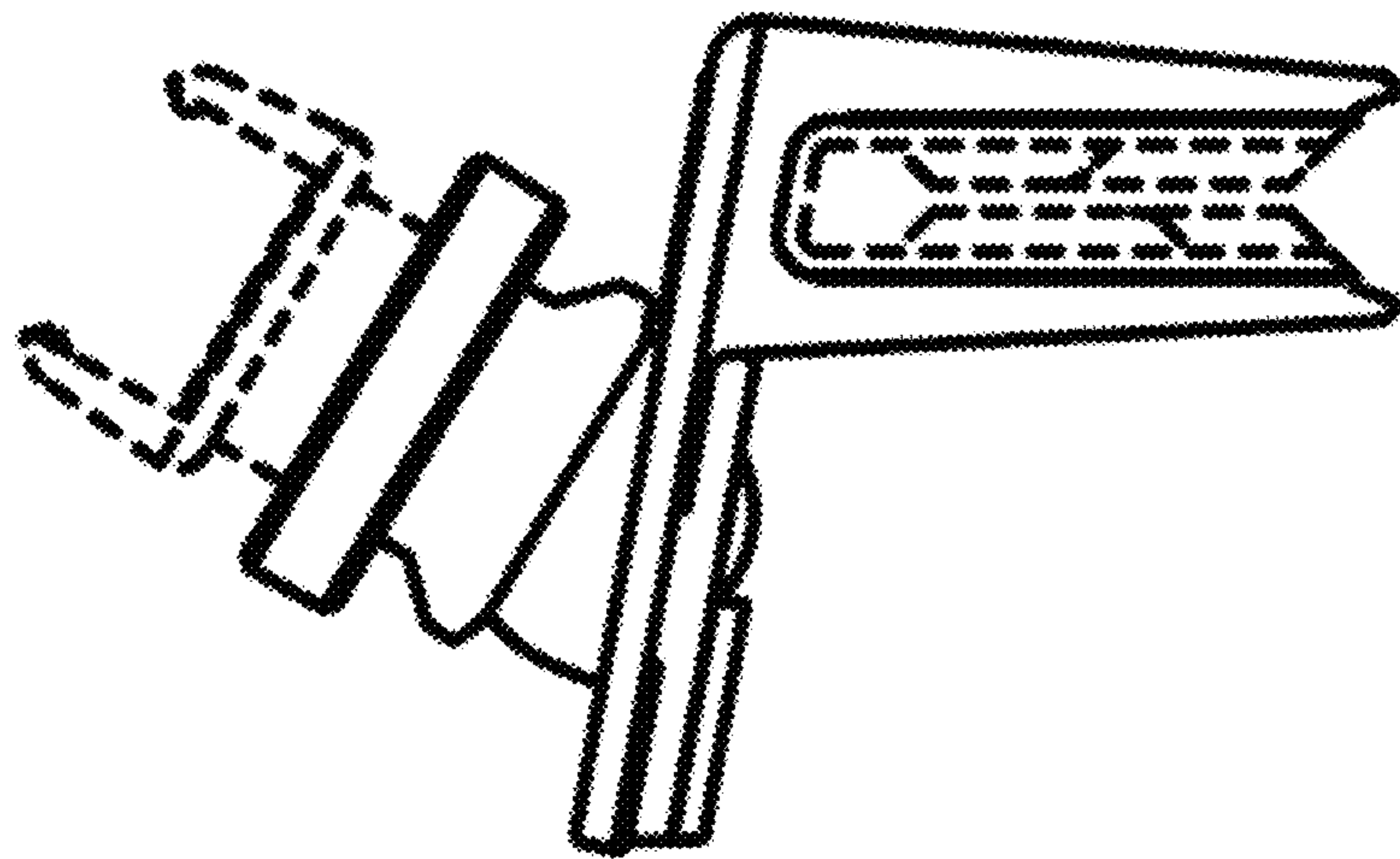


FIG. 2

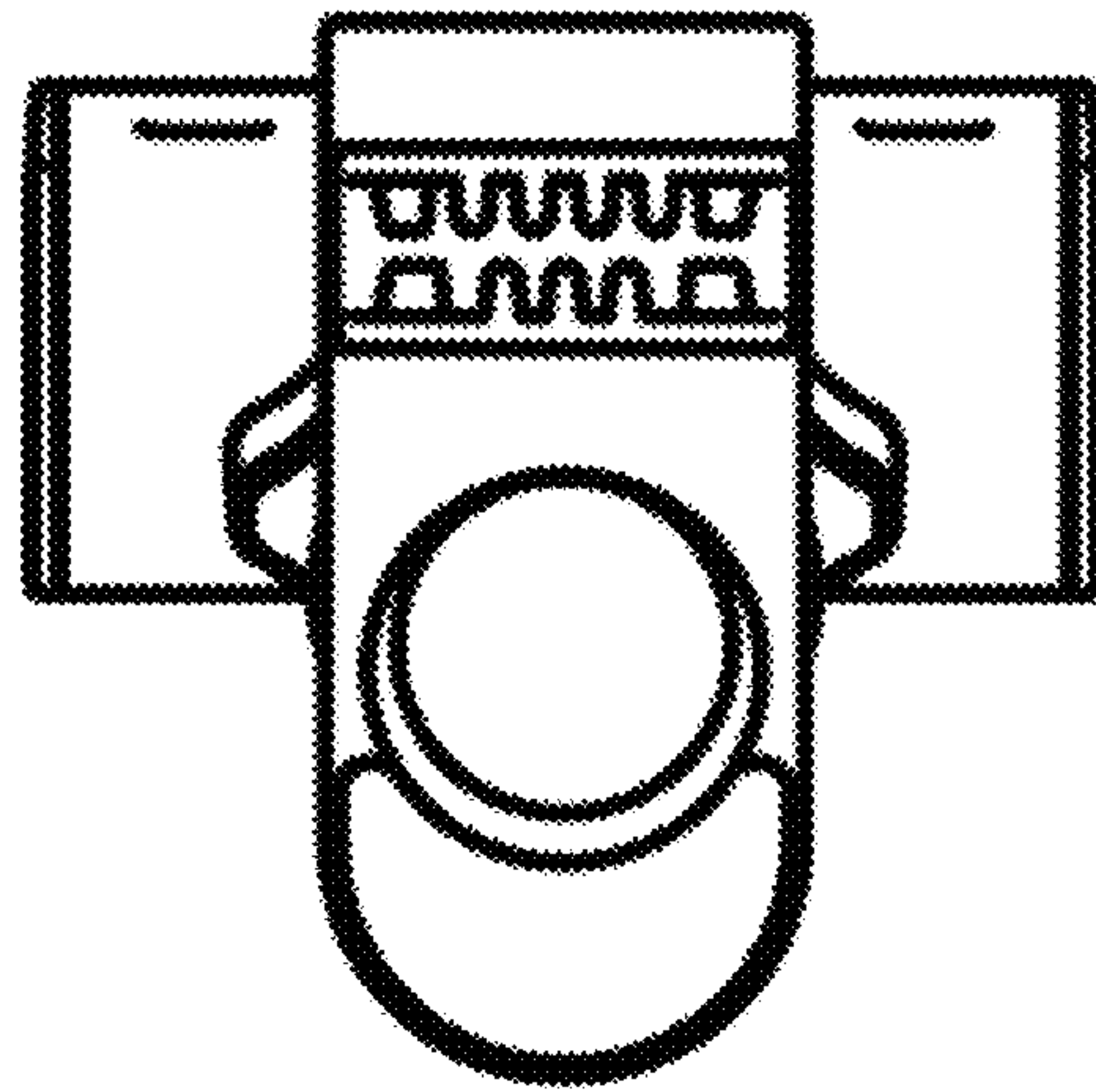


FIG. 3

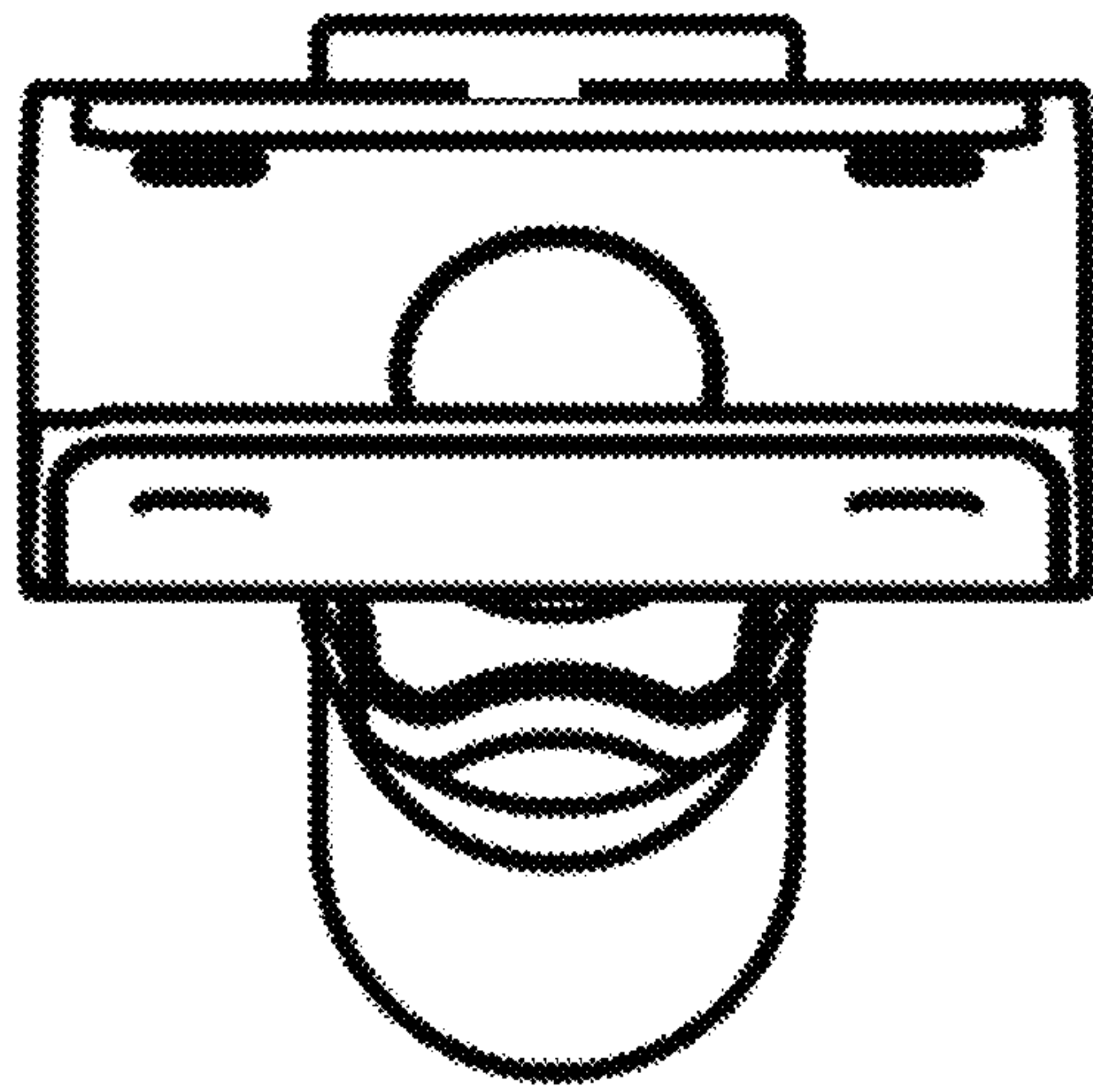


FIG. 4

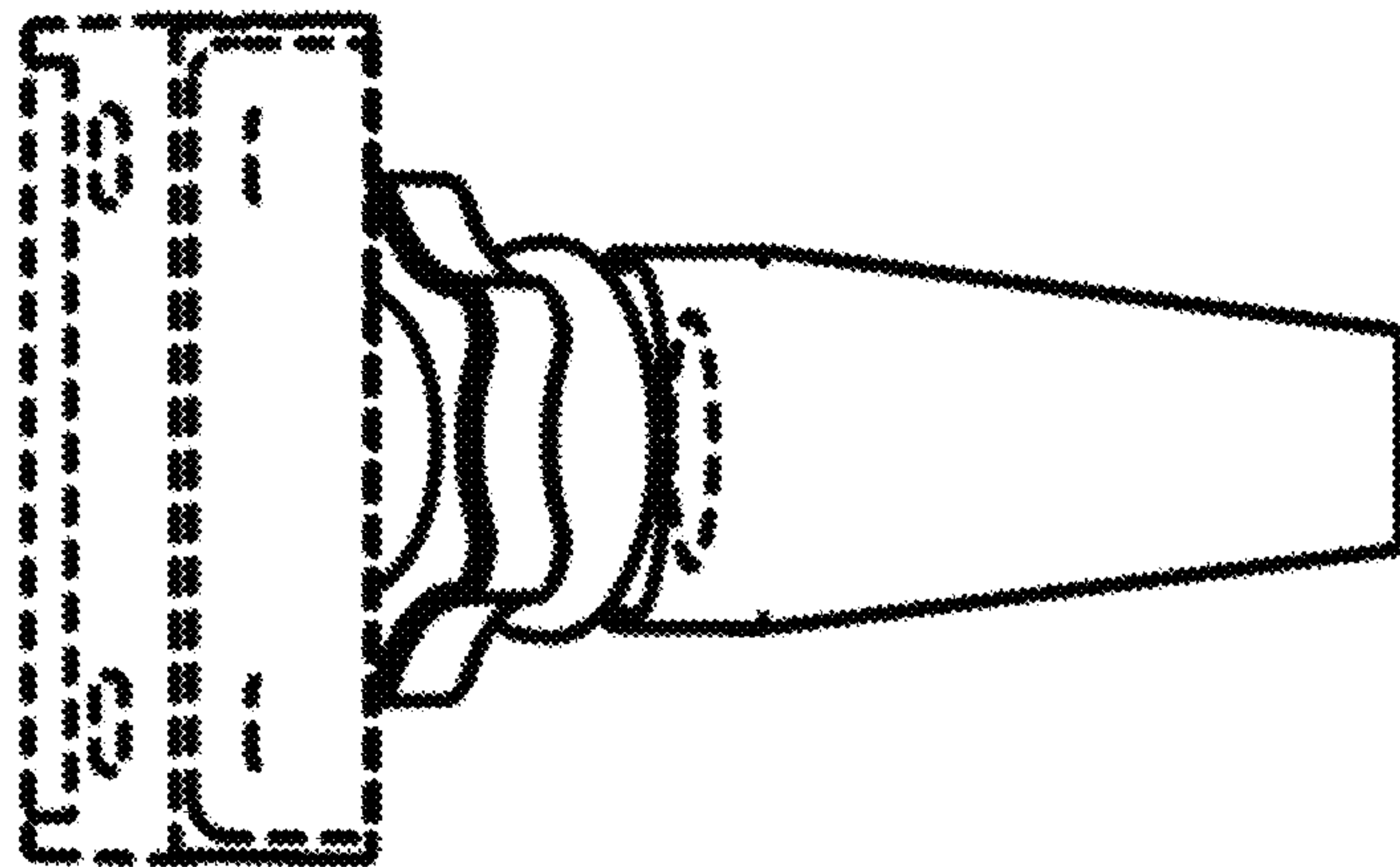


FIG. 5

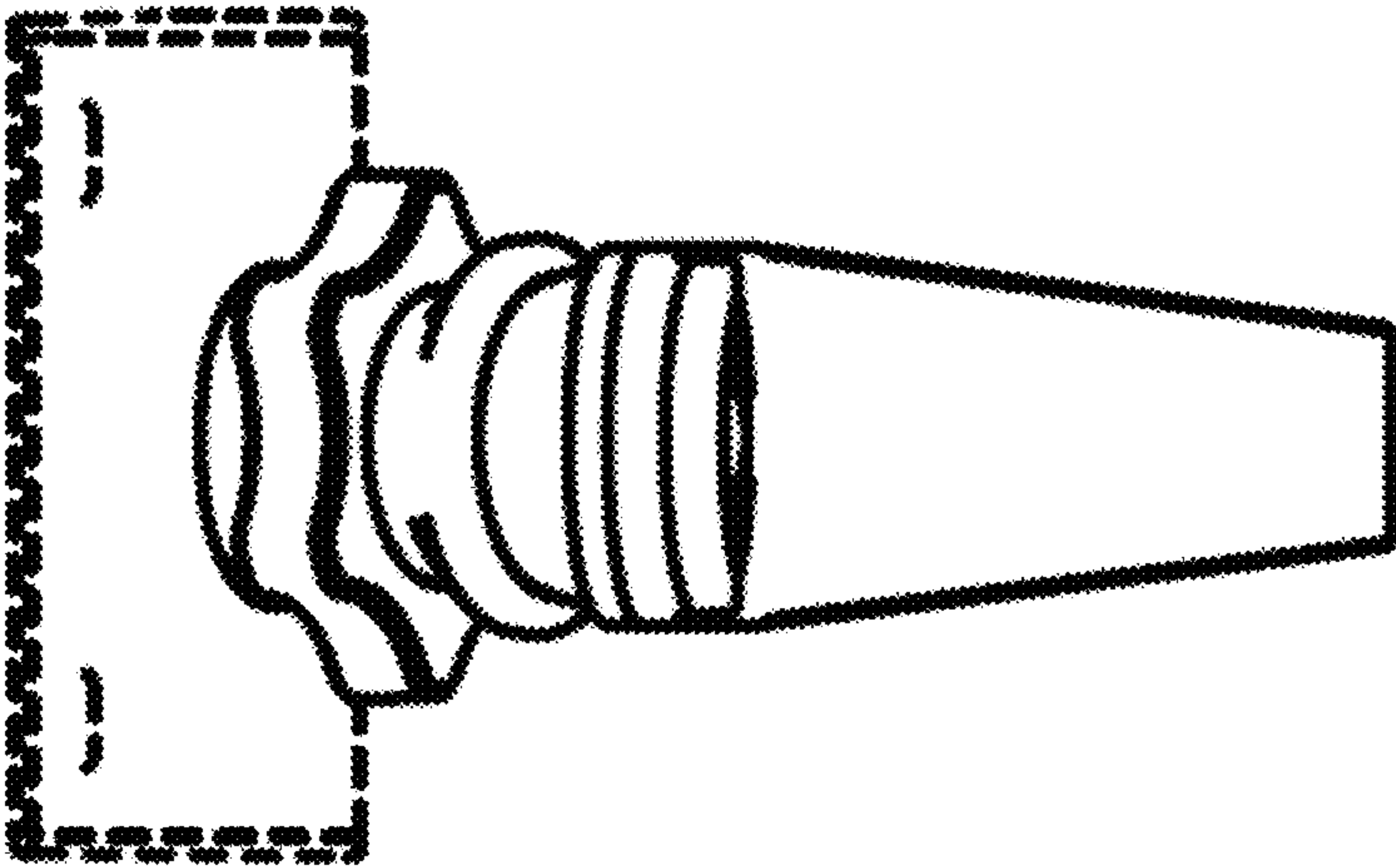


FIG. 6



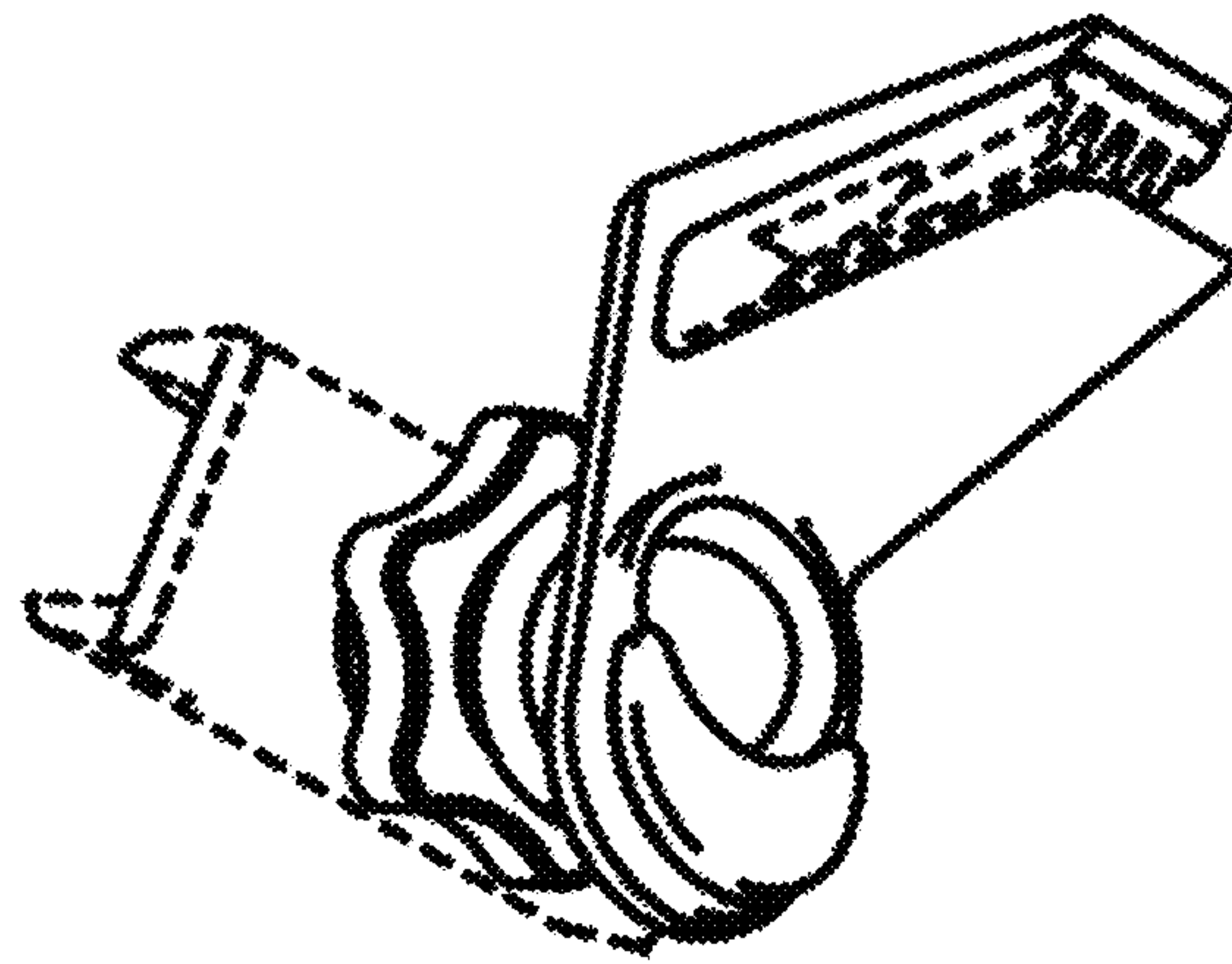


FIG. 7