



US00D791058S

(12) **United States Design Patent**  
**Laatz**

(10) **Patent No.:** **US D791,058 S**

(45) **Date of Patent:** **\*\* Jul. 4, 2017**

(54) **MOUNTING BRACKET**

(71) Applicant: **KJ'S Inc.**, North Las Vegas, NV (US)

(72) Inventor: **Richard B. Laatz**, North Las Vegas, NV (US)

(73) Assignee: **KJ'S INC.**, North Las Vegas, NV (US)

(\*\*) Term: **15 Years**

(21) Appl. No.: **29/563,877**

(22) Filed: **May 9, 2016**

(51) **LOC (10) Cl.** ..... **12-06**

(52) **U.S. Cl.**  
USPC ..... **D12/223**; D8/396

(58) **Field of Classification Search**  
USPC ..... D8/14, 71, 72, 349, 354, 355, 363, 373,  
D8/380, 382, 394, 396, 398, 499;  
D23/359, 262, 265, 303, 386; D12/400,  
D12/406, 412, 223; D26/142, 113, 60,  
D26/28

CPC ..... F16L 3/00; F16L 3/1033; F16L 3/1016;  
F16L 3/105; F16L 3/1075; F16L 3/1083;  
F16L 3/1091; E04H 17/24; F21S 2/00;  
F21S 2/005; F21S 4/28; F21S 8/036;  
F21S 8/043

See application file for complete search history.

(56) **References Cited**

**U.S. PATENT DOCUMENTS**

D30,441 S \* 3/1899 Wahlert ..... 248/74.1  
4,059,872 A \* 11/1977 Delesandri ..... F16L 3/1008  
24/279  
D269,155 S \* 5/1983 Rose ..... D8/356

D294,330 S \* 2/1988 Keck ..... D8/395  
D308,116 S \* 5/1990 Vandergriff ..... D26/149  
4,991,801 A \* 2/1991 Trumbull ..... F16L 3/13  
248/62  
D318,607 S \* 7/1991 Reid ..... D8/363  
D340,719 S \* 10/1993 Yoder ..... D14/238  
5,354,021 A \* 10/1994 Farrell ..... F16L 3/233  
24/16 PB  
D411,440 S \* 6/1999 Stahel ..... D8/396  
D422,045 S \* 3/2000 Fell ..... D22/100  
D604,381 S \* 11/2009 Miller ..... D22/107

\* cited by examiner

*Primary Examiner* — Sandra Snapp

*Assistant Examiner* — Ieisha Price

(74) *Attorney, Agent, or Firm* — Stetina Brunda Garred & Brucker

(57) **CLAIM**

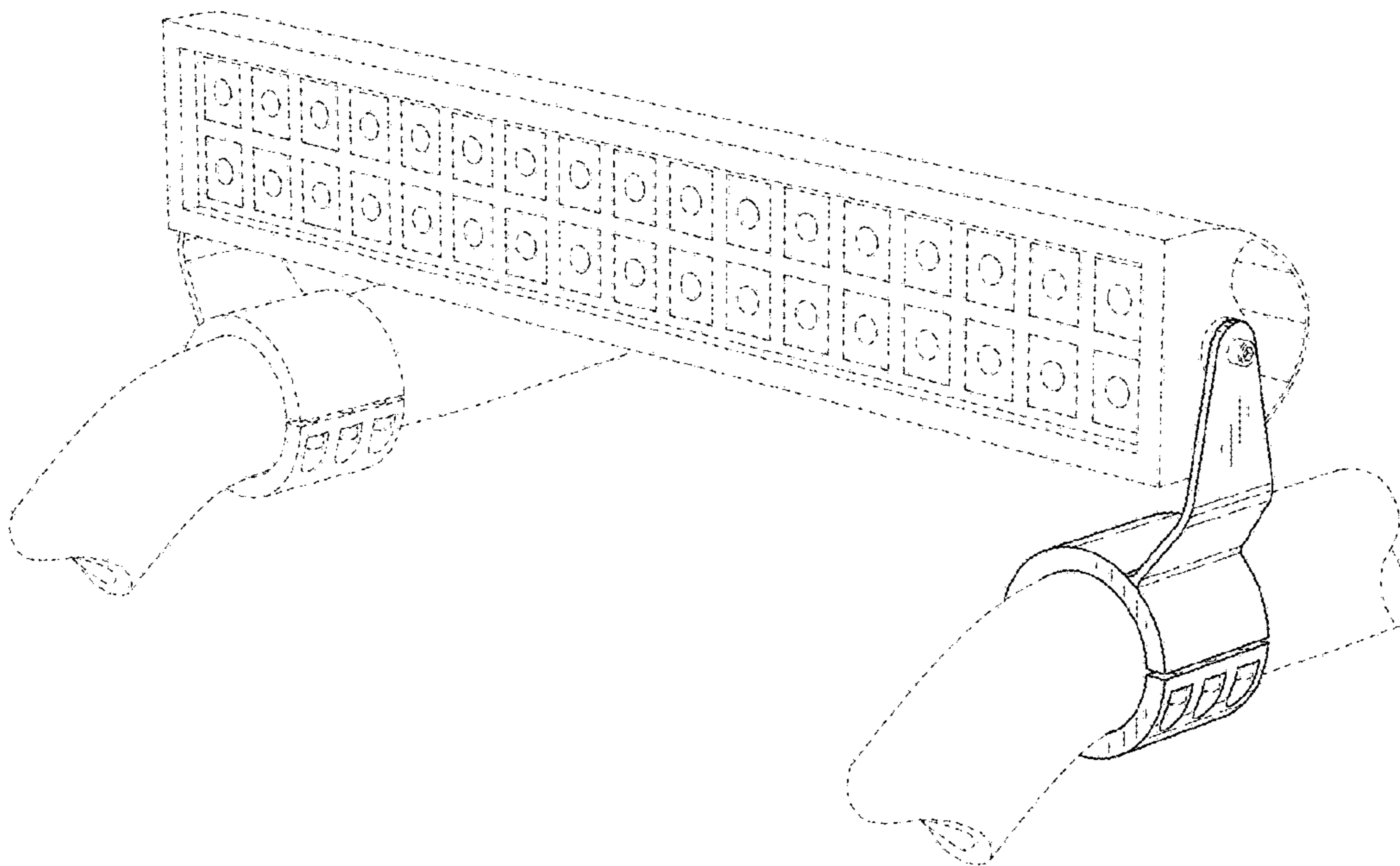
The ornamental design for a mounting bracket, as shown and described.

**DESCRIPTION**

FIG. 1 is a perspective view of the mounting bracket of the present invention;  
FIG. 2 is a perspective view thereof;  
FIG. 3 is a top view thereof;  
FIG. 4 is a front view thereof;  
FIG. 5 is a right side thereof;  
FIG. 6 is a rear view thereof;  
FIG. 7 is a left side view thereof;  
FIG. 8 is a bottom view thereof; and,  
FIG. 9 is an exploded view thereof.

The broken lines in the drawing figures depict environment and form no part of the claimed design.

**1 Claim, 4 Drawing Sheets**



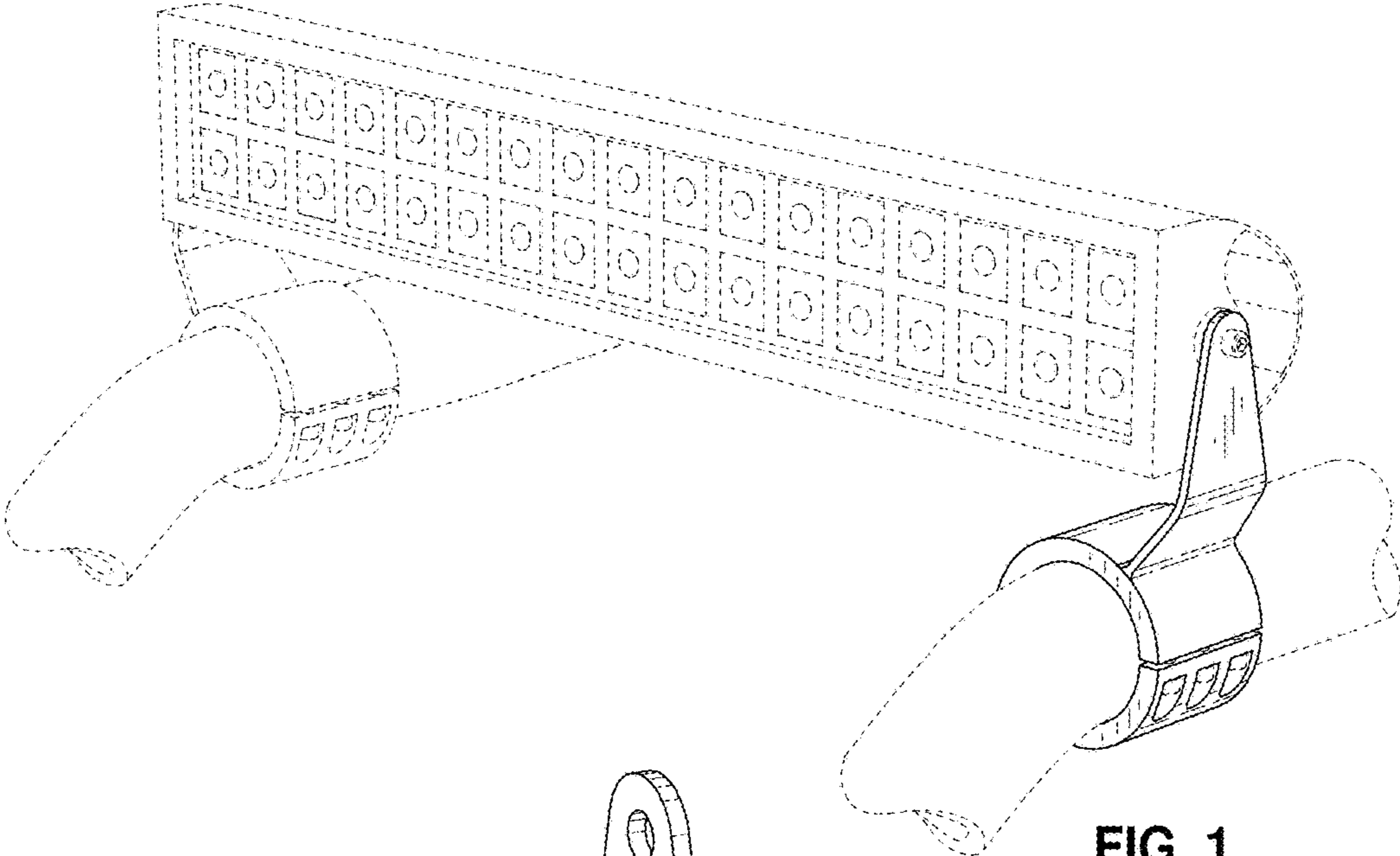


FIG. 1

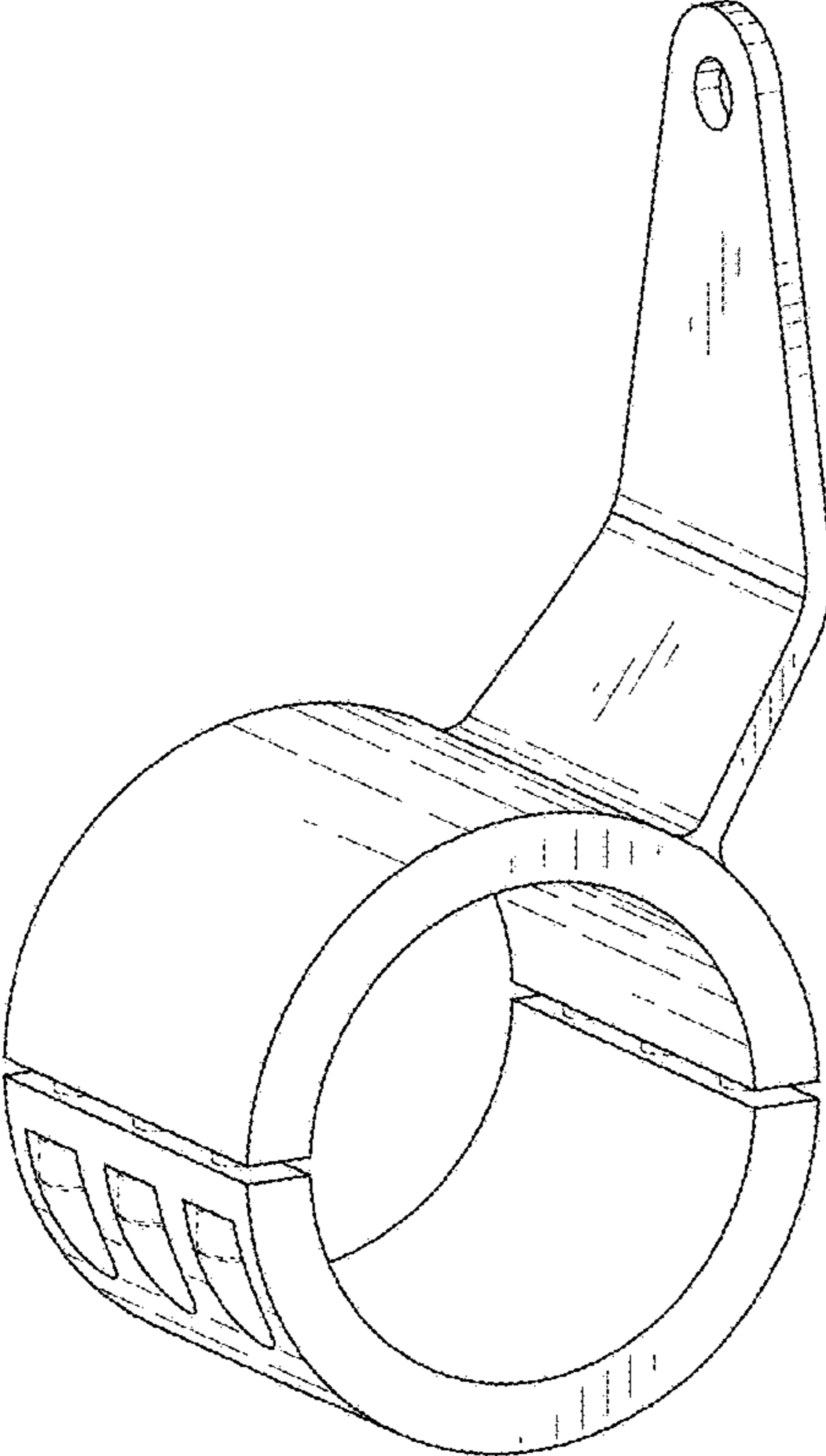


FIG. 2

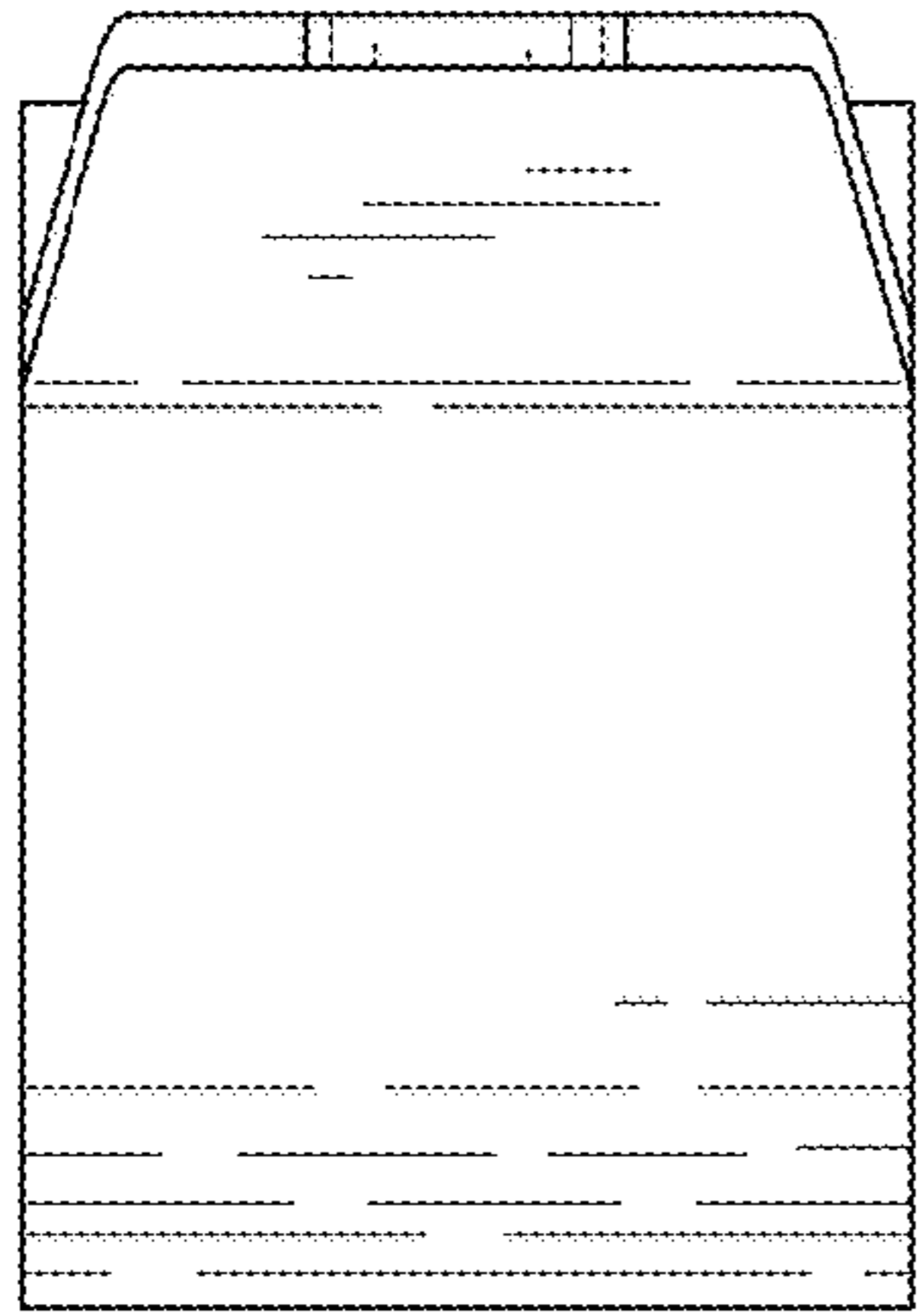


FIG. 3

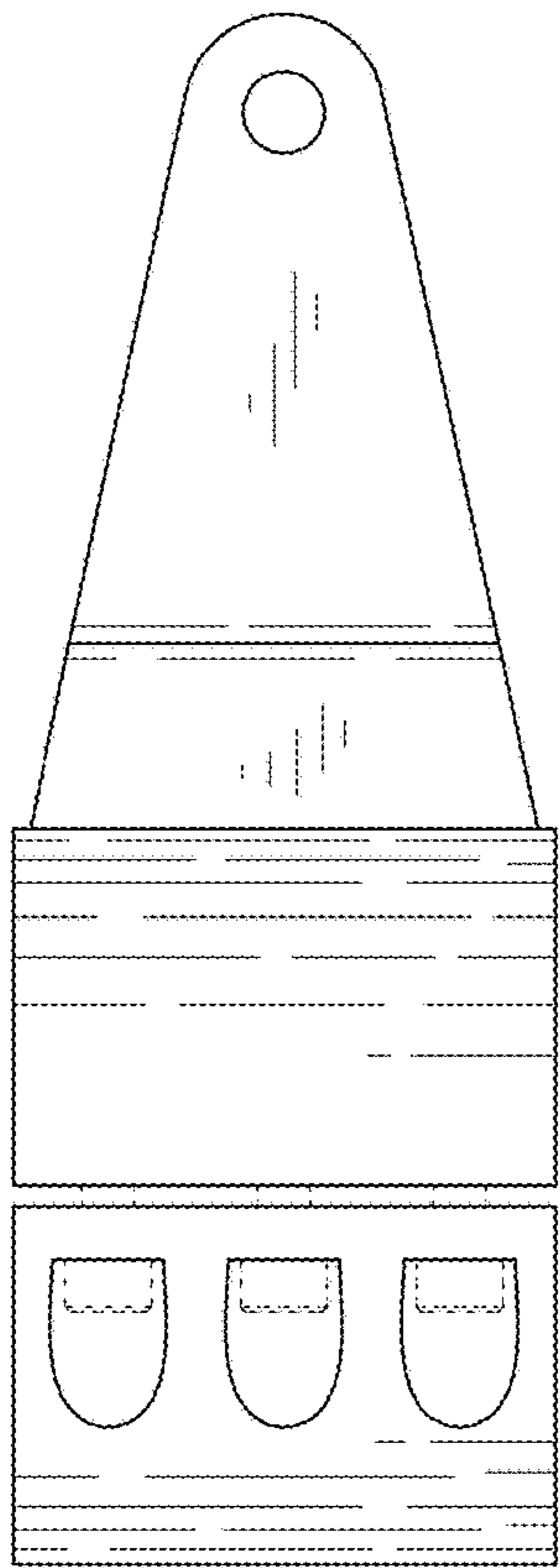


FIG. 4

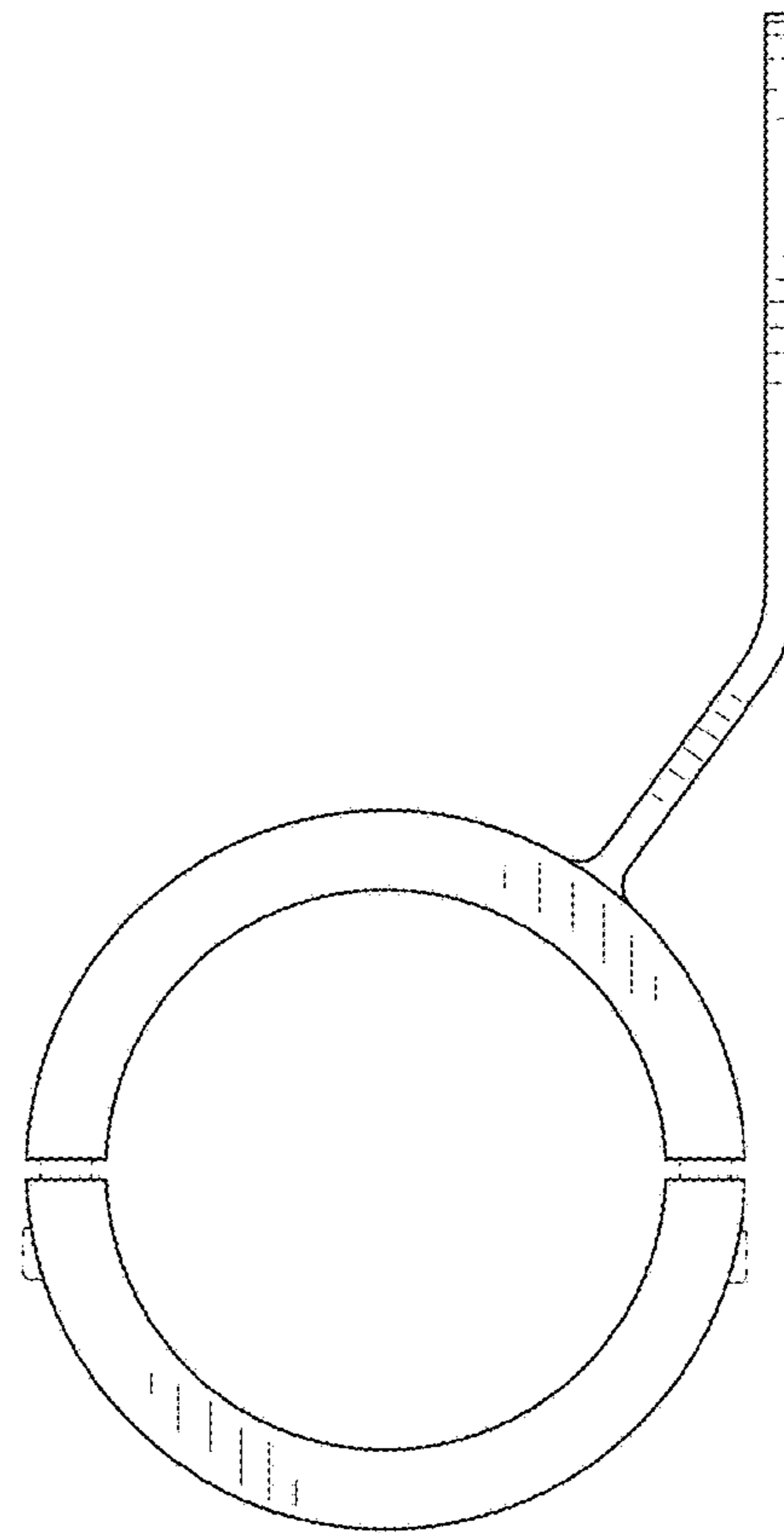


FIG. 5

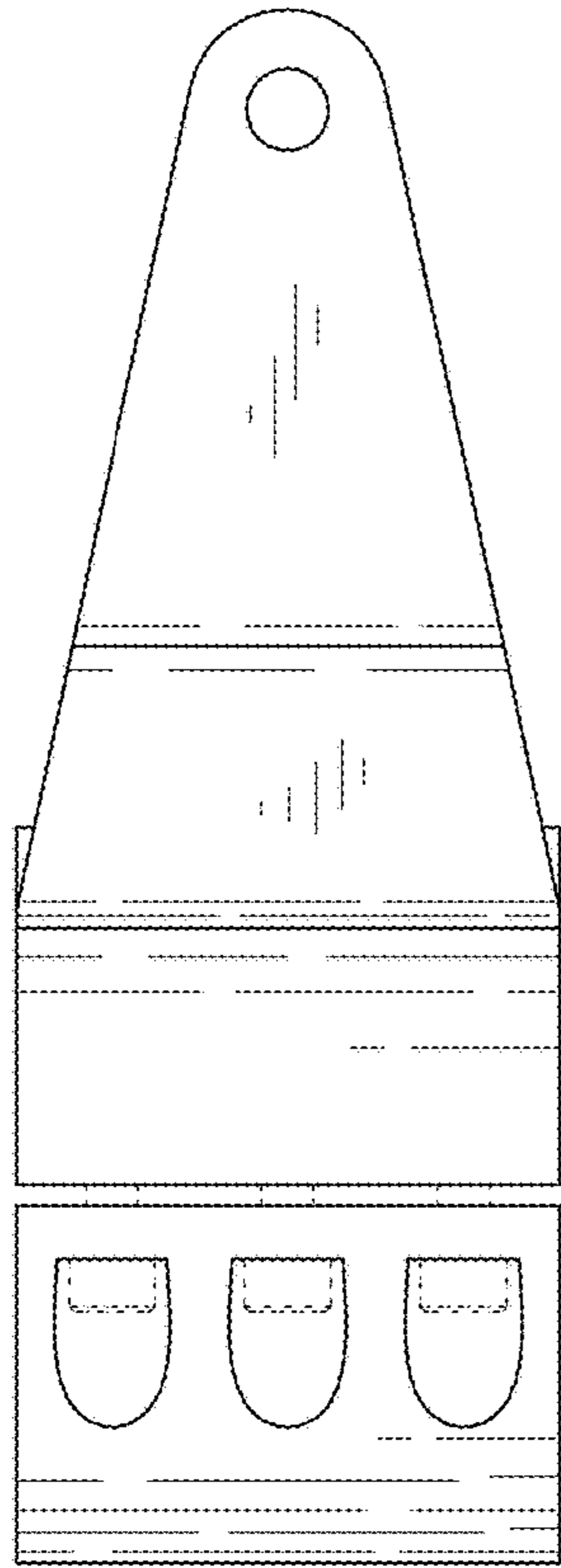


FIG. 6

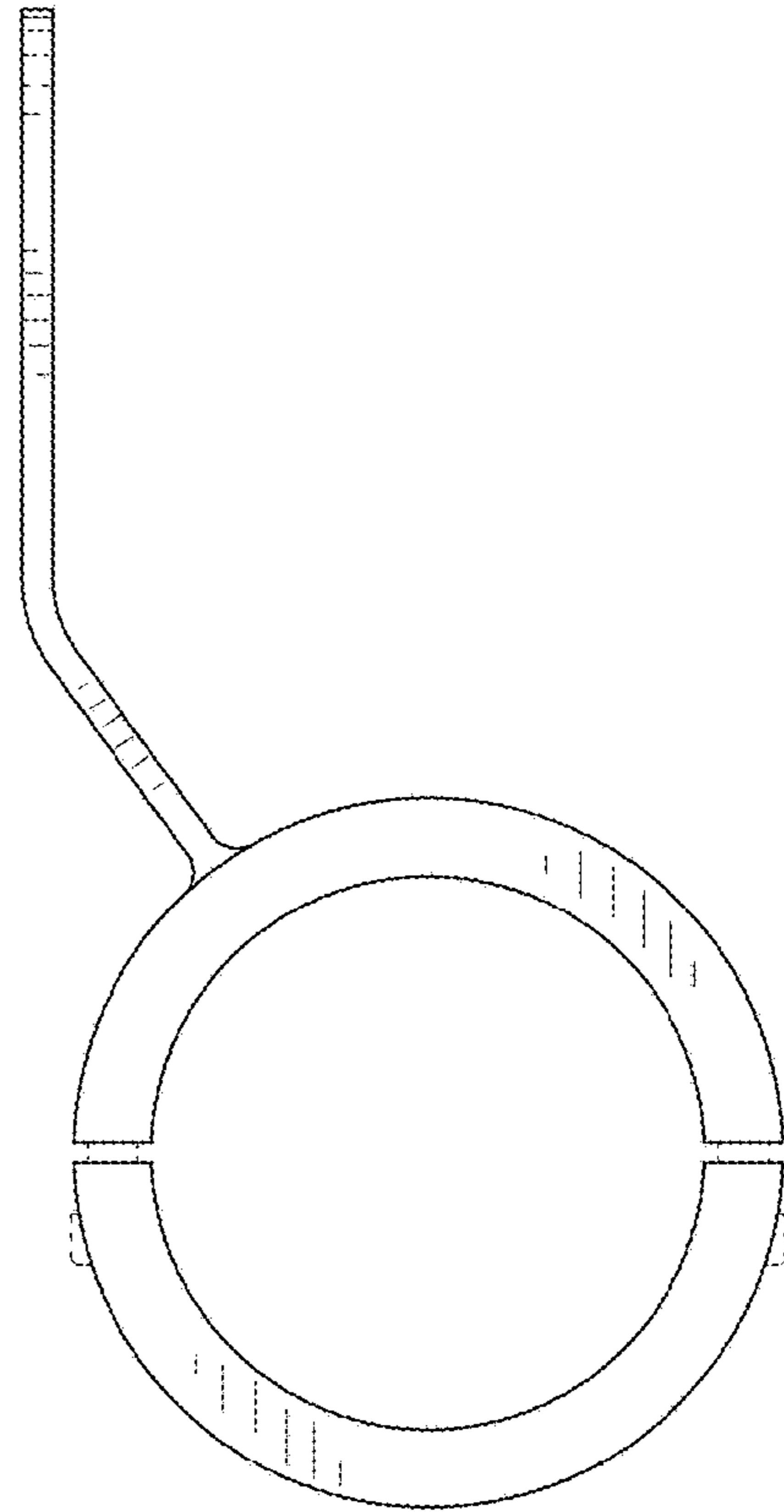


FIG. 7

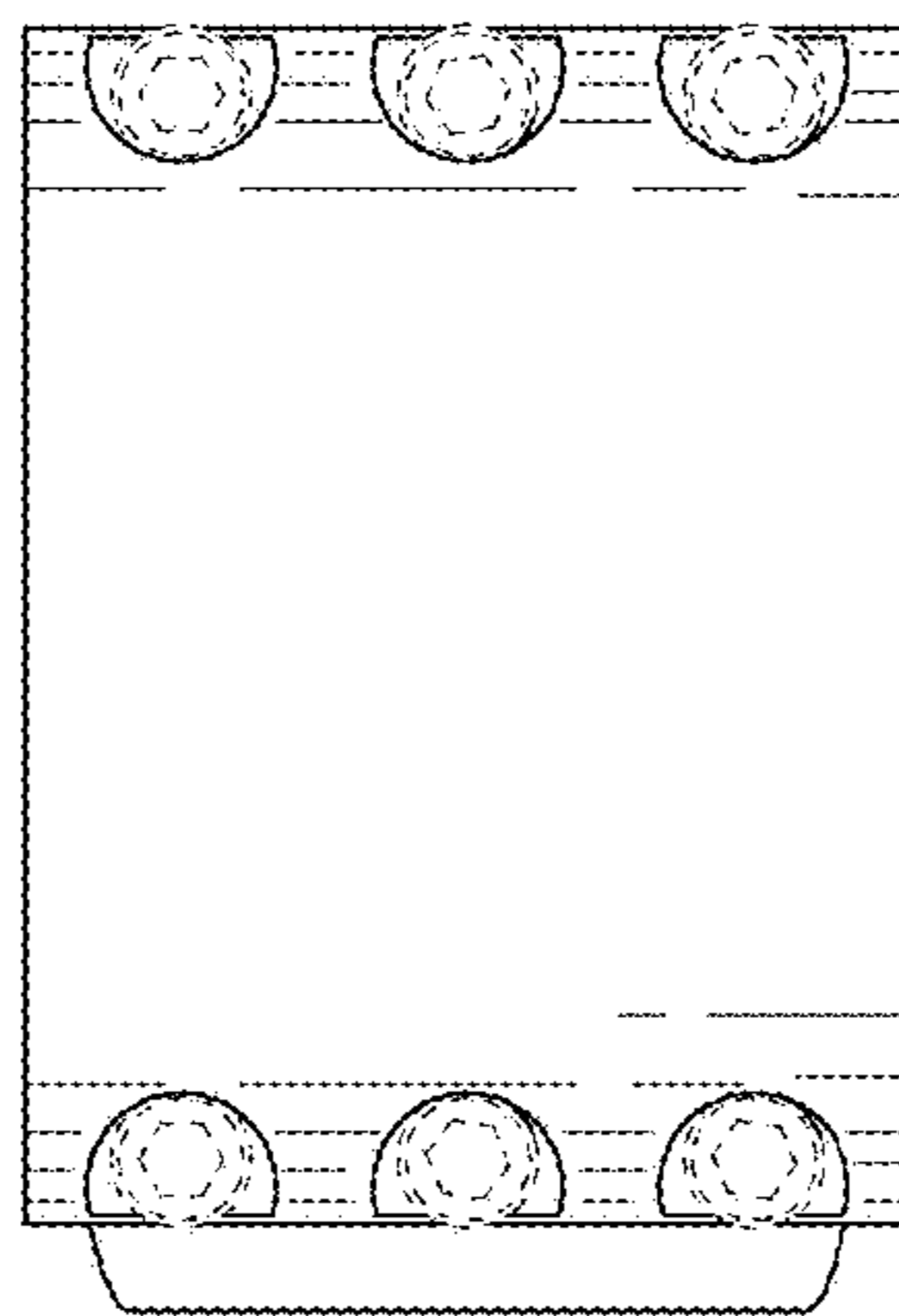


FIG. 8

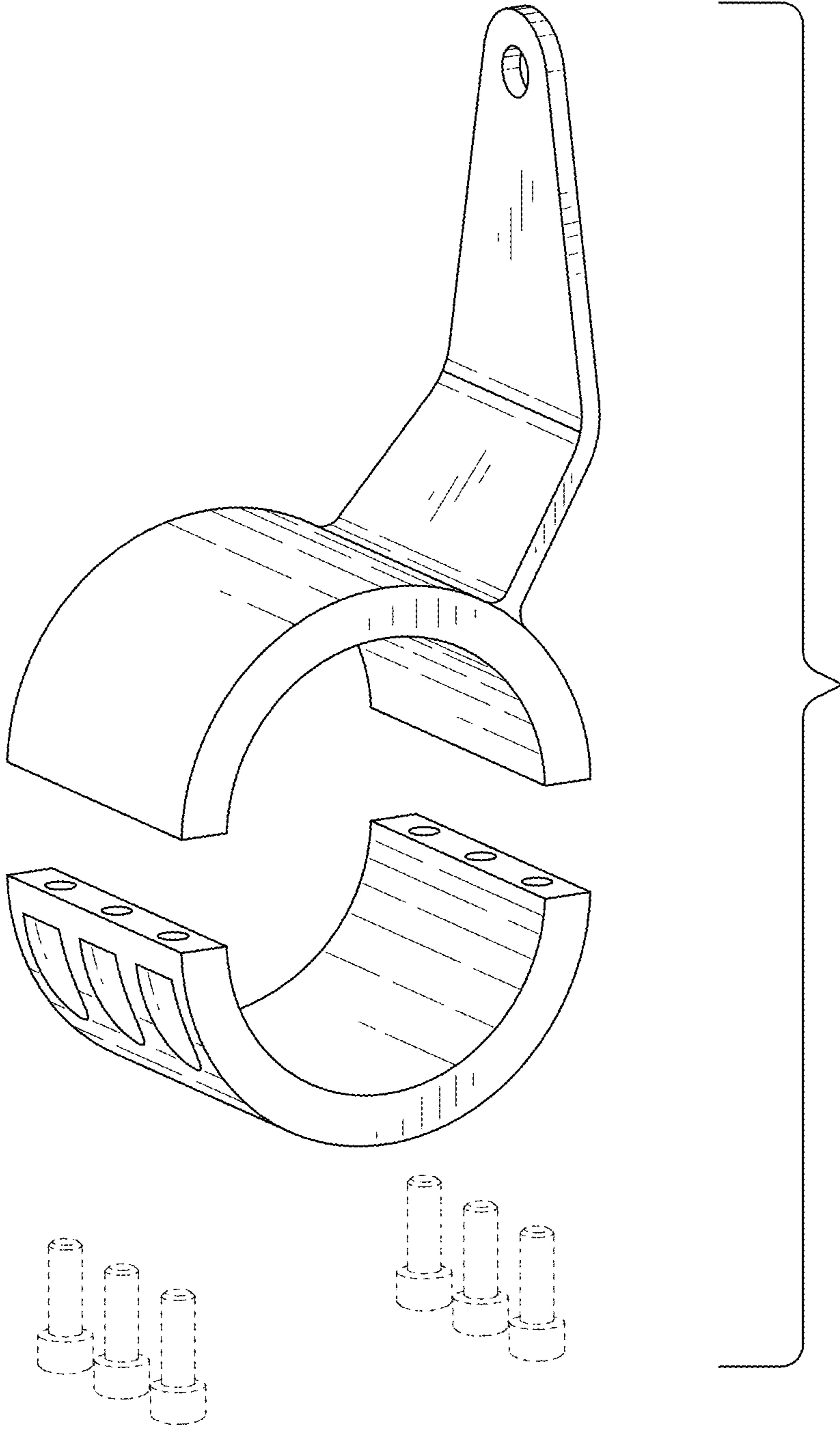


FIG. 9