



US00D791055S

(12) **United States Design Patent**  
**Valencia Pollex**

(10) **Patent No.:** **US D791,055 S**

(45) **Date of Patent:** **\*\* Jul. 4, 2017**

(54) **VEHICLE WHEEL RIM**

(71) Applicant: **AUDI AG**, Ingolstadt (DE)

(72) Inventor: **Andreas Valencia Pollex**, Ingolstadt (DE)

(73) Assignee: **AUDI AG**, Ingolstadt (DE)

(\*\*) Term: **15 Years**

(21) Appl. No.: **29/578,286**

(22) Filed: **Sep. 20, 2016**

(30) **Foreign Application Priority Data**

Mar. 21, 2016 (EM) ..... 003 037 712-0008

(51) **LOC (10) Cl.** ..... **12-16**

(52) **U.S. Cl.**  
USPC ..... **D12/211**

(58) **Field of Classification Search**  
USPC ..... D12/204-213  
CPC .... B60B 7/00; B60B 7/02; B60B 7/04; B60B 7/01; B60B 7/06; B60B 3/02; B60B 3/04; B60B 3/06; B60B 3/10; B60B 1/00; B60B 1/08; B60B 1/10; B60B 1/12  
See application file for complete search history.

(56) **References Cited**

**U.S. PATENT DOCUMENTS**

D416,849 S \* 11/1999 Weidhase ..... D12/211  
D569,323 S \* 5/2008 Laengerer ..... D12/211  
D572,186 S \* 7/2008 Viandante ..... D12/211

D576,094 S \* 9/2008 Bernoni ..... D12/211  
D597,015 S \* 7/2009 Juergens ..... D12/211  
D644,158 S \* 8/2011 Nissl ..... D12/211  
D655,234 S \* 3/2012 Zhao ..... D12/211  
D660,769 S \* 5/2012 Pollmann ..... D12/211  
D670,225 S \* 11/2012 Muller ..... D12/211  
D670,226 S \* 11/2012 Muller ..... D12/211  
D671,481 S \* 11/2012 Amezketa ..... D12/211  
D683,689 S \* 6/2013 Fahr-Becker ..... D12/211  
D684,517 S \* 6/2013 Scheinhutte ..... D12/211  
D698,720 S \* 2/2014 Farh-Becker ..... D12/211  
D723,990 S \* 3/2015 Muntada Roura ..... D12/209  
D726,087 S \* 4/2015 Breyton ..... D12/211  
D733,632 S \* 7/2015 Juergens ..... D12/211  
D746,208 S \* 12/2015 Battams ..... D12/209  
D764,370 S \* 8/2016 Chung ..... D12/209  
D765,007 S \* 8/2016 Chung ..... D12/211  
D769,167 S \* 10/2016 Muntada Roura ..... D12/211  
D774,436 S \* 12/2016 Valencia Pollex ..... D12/209  
D777,077 S \* 1/2017 Bjerke ..... D12/211  
D780,661 S \* 3/2017 Zhao ..... D12/211

\* cited by examiner

*Primary Examiner* — Stacia Cadmus

(74) *Attorney, Agent, or Firm* — Lucas & Mercanti, LLP; Klaus P. Stoffel

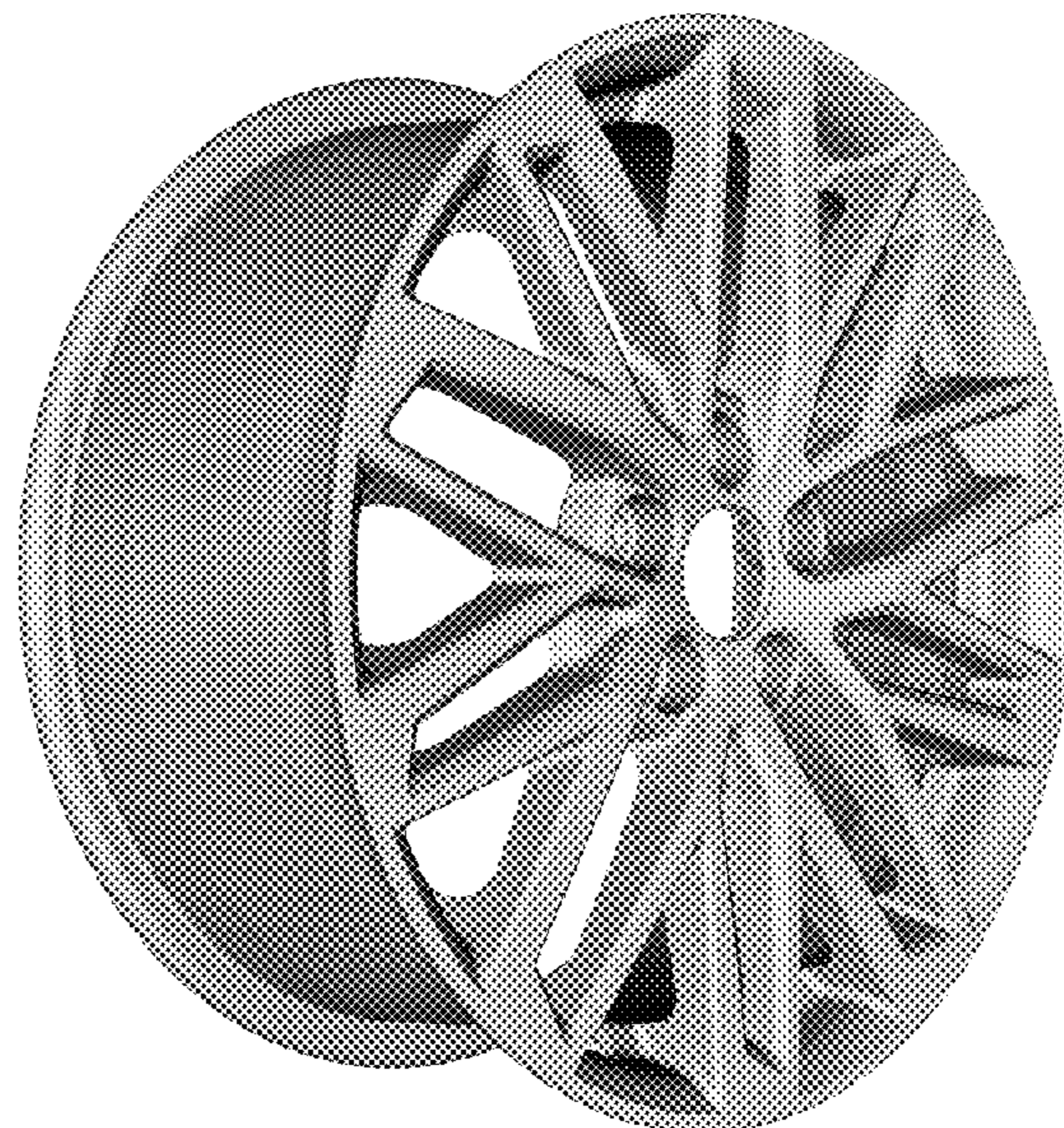
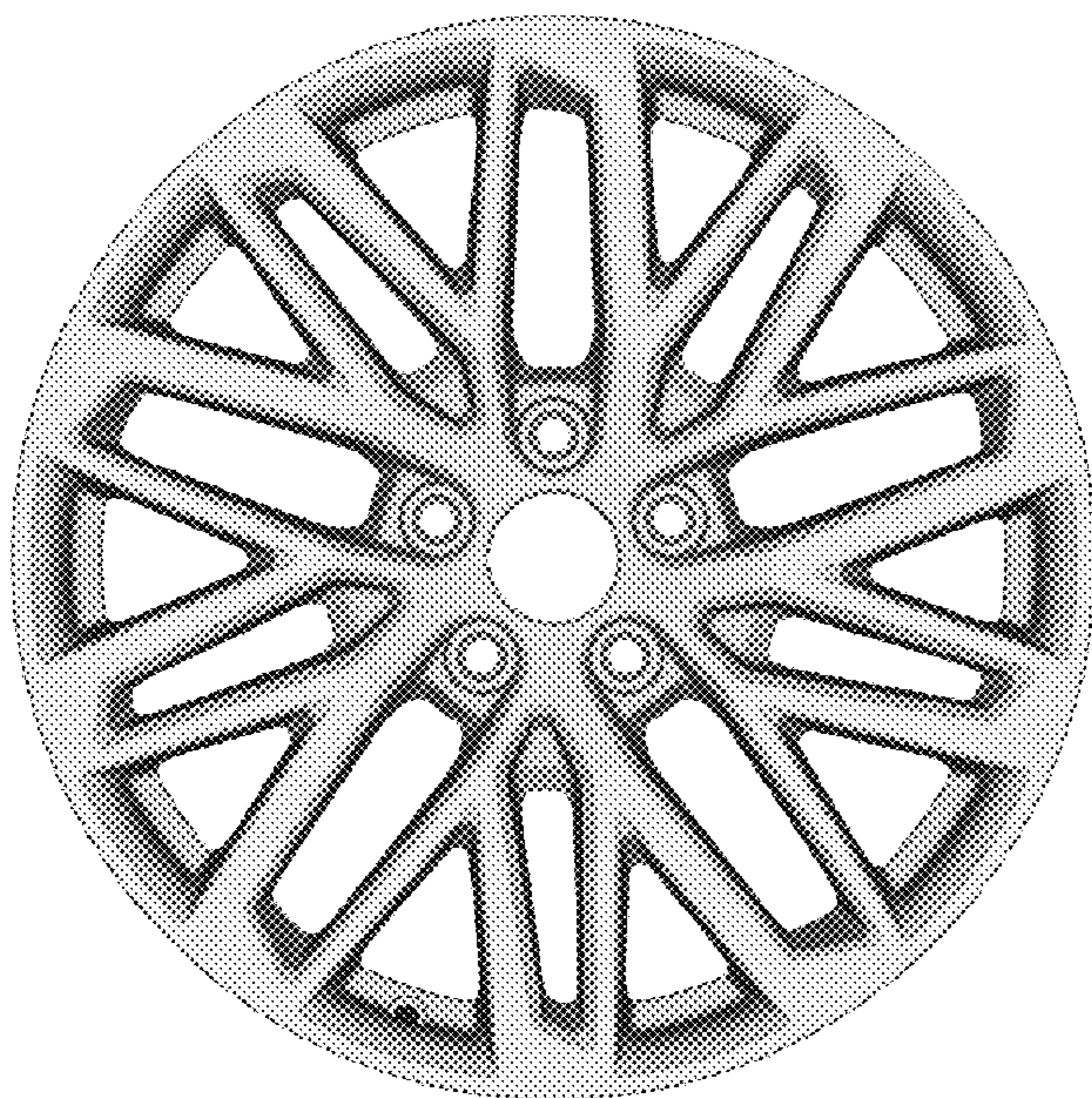
(57) **CLAIM**

The ornamental design for a vehicle wheel rim, as shown and described.

**DESCRIPTION**

FIG. 1 is a front view of the vehicle wheel rim of the present invention; and,  
FIG. 2 is a front, side perspective view thereof.

**1 Claim, 2 Drawing Sheets**





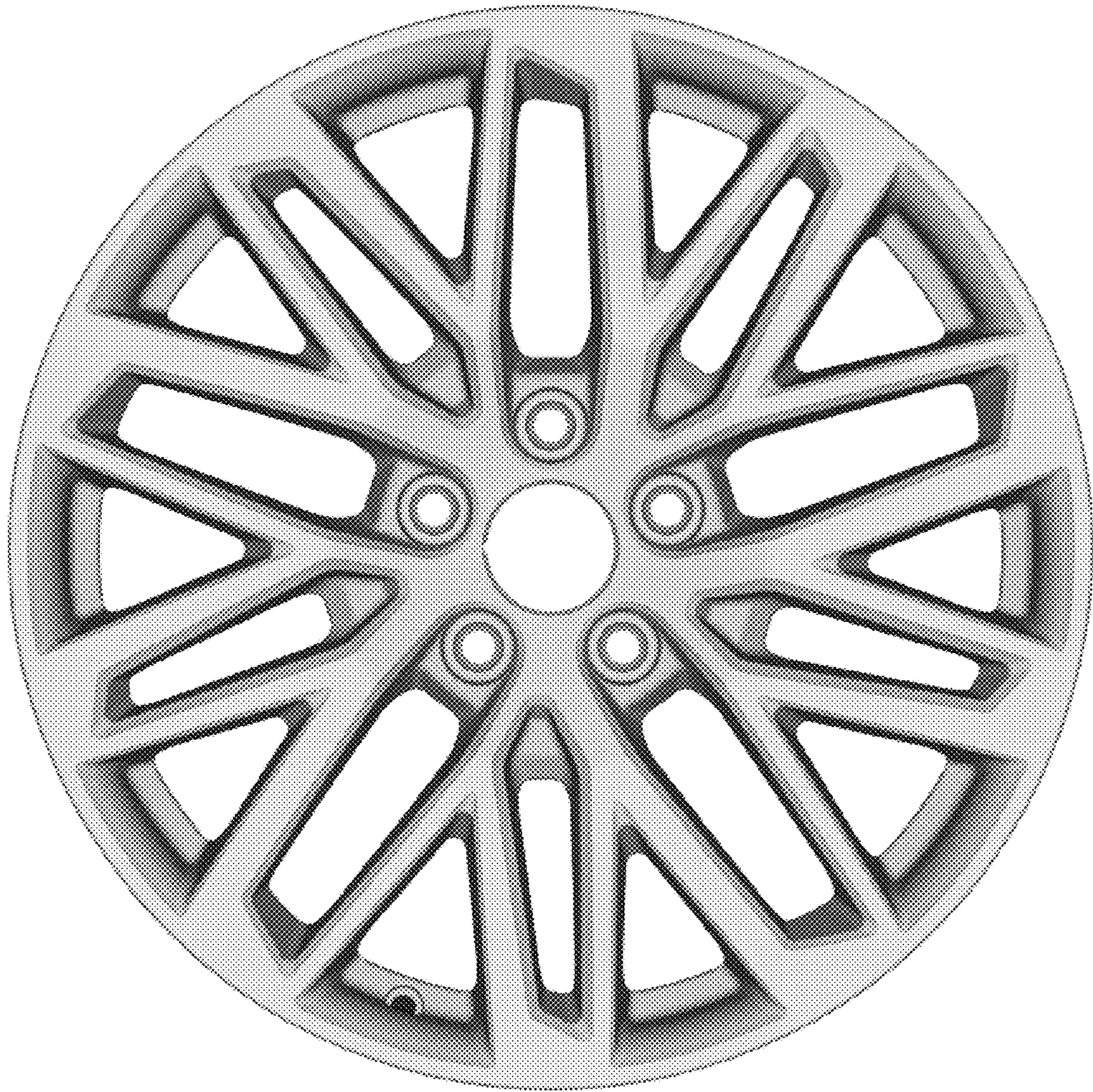


Fig. 1





Fig. 2