



US00D791053S

(12) **United States Design Patent**
Johnson

(10) **Patent No.:** **US D791,053 S**

(45) **Date of Patent:** **** Jul. 4, 2017**

(54) **AUTOMOTIVE WHEEL**

(71) Applicant: **Kelly R. Johnson**, City of Industry, CA (US)

(72) Inventor: **Kelly R. Johnson**, City of Industry, CA (US)

(73) Assignee: **WHEEL GROUP HOLDINGS, LLC**, Ontario (CA)

(**) Term: **15 Years**

(21) Appl. No.: **29/576,522**

(22) Filed: **Sep. 2, 2016**

(51) **LOC (10) Cl.** **12-16**

(52) **U.S. Cl.**
USPC **D12/211**

(58) **Field of Classification Search**
USPC D12/204–213
CPC B60B 7/00; B60B 7/02; B60B 7/04; B60B 7/01; B60B 7/06; B60B 3/02; B60B 3/04; B60B 3/06; B60B 3/10; B60B 1/00; B60B 1/08; B60B 1/10; B60B 1/12
See application file for complete search history.

(56) **References Cited**

U.S. PATENT DOCUMENTS

D258,503 S	*	3/1981	Seiple	D12/211
D392,611 S	*	3/1998	Echazabal	D12/211
D409,552 S	*	5/1999	Chung	D12/211
D447,993 S	*	9/2001	Neeper	D12/211
D451,463 S	*	12/2001	Murkett	D12/209
D456,333 S	*	4/2002	Pollmann	D12/211

D459,688 S	*	7/2002	Wiesinger	D12/211
D478,539 S	*	8/2003	Brown	D12/209
D494,917 S	*	8/2004	Pollmann	D12/211
D495,289 S	*	8/2004	Kataoka	D12/211
D499,371 S	*	12/2004	Koch	D12/211
D506,719 S	*	6/2005	Chen	D12/211
D535,241 S	*	1/2007	Kim	D12/211
D541,726 S	*	5/2007	Musser	D12/211
D546,265 S	*	7/2007	Young	D12/211
D593,019 S	*	5/2009	Tirado	D12/209
D618,607 S	*	6/2010	Hilpert	D12/211
D638,768 S	*	5/2011	Nissl	D12/211
D658,107 S	*	4/2012	Pollmann	D12/211
D671,472 S	*	11/2012	Pollmann	D12/209
D697,859 S	*	1/2014	Borkert	D12/211
D710,779 S	*	8/2014	Zhang	D12/209
D727,823 S	*	4/2015	Rueckheim	D12/209
D730,800 S	*	6/2015	Behmer	D12/211
D734,237 S	*	7/2015	Juergens	D12/211
D751,015 S	*	3/2016	Mahoney	D12/209

* cited by examiner

Primary Examiner — Stacia Cadmus

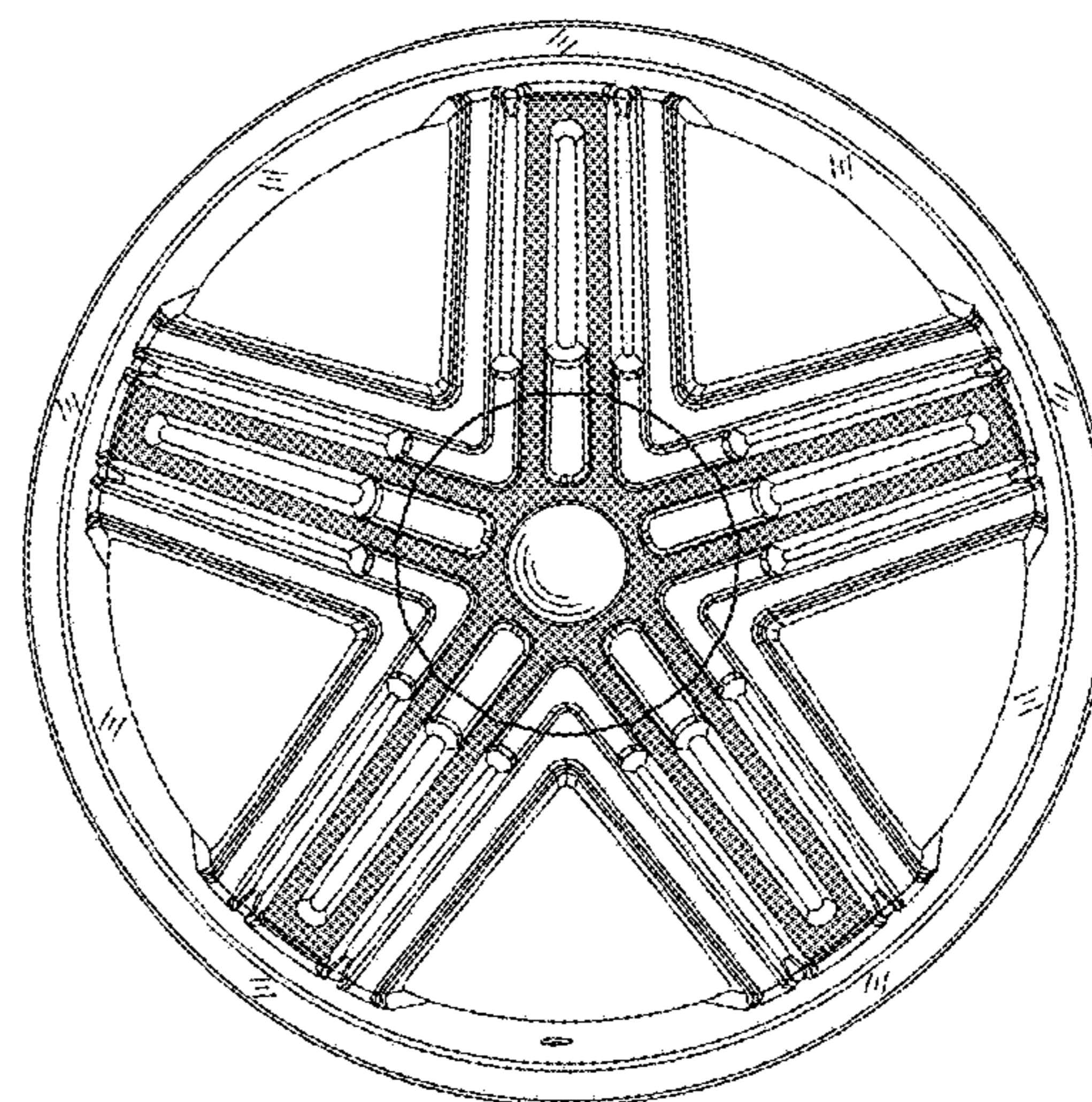
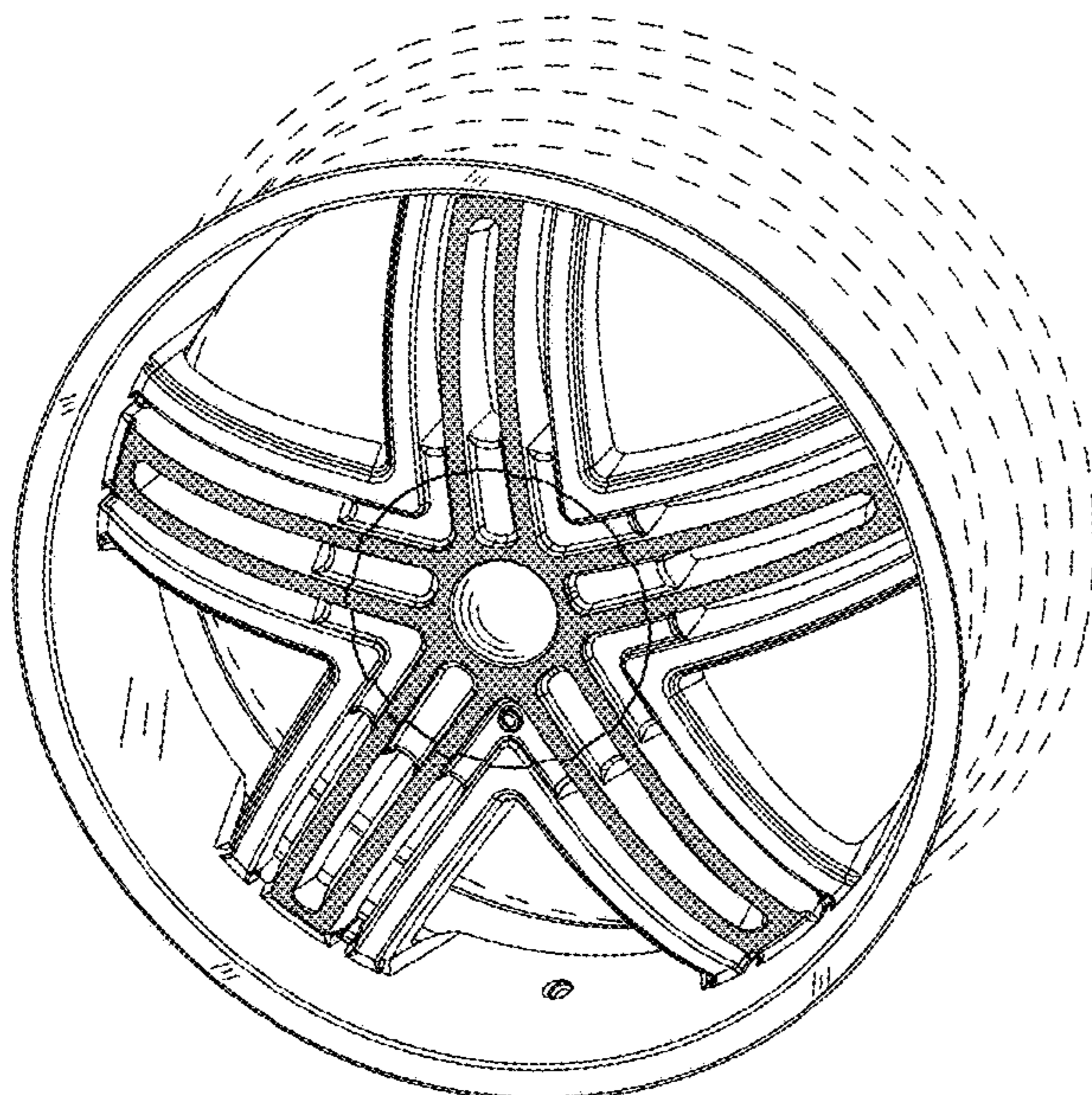
(57) **CLAIM**

The ornamental design for an automotive wheel, as show and described.

DESCRIPTION

FIG. 1 is a perspective view of an automotive wheel showing my new design; and, FIG. 2 is a front elevational view thereof. The broken line showing of the rear portion of the rim is included for the purpose of illustrating environment and forms no part of the claimed design.

1 Claim, 2 Drawing Sheets



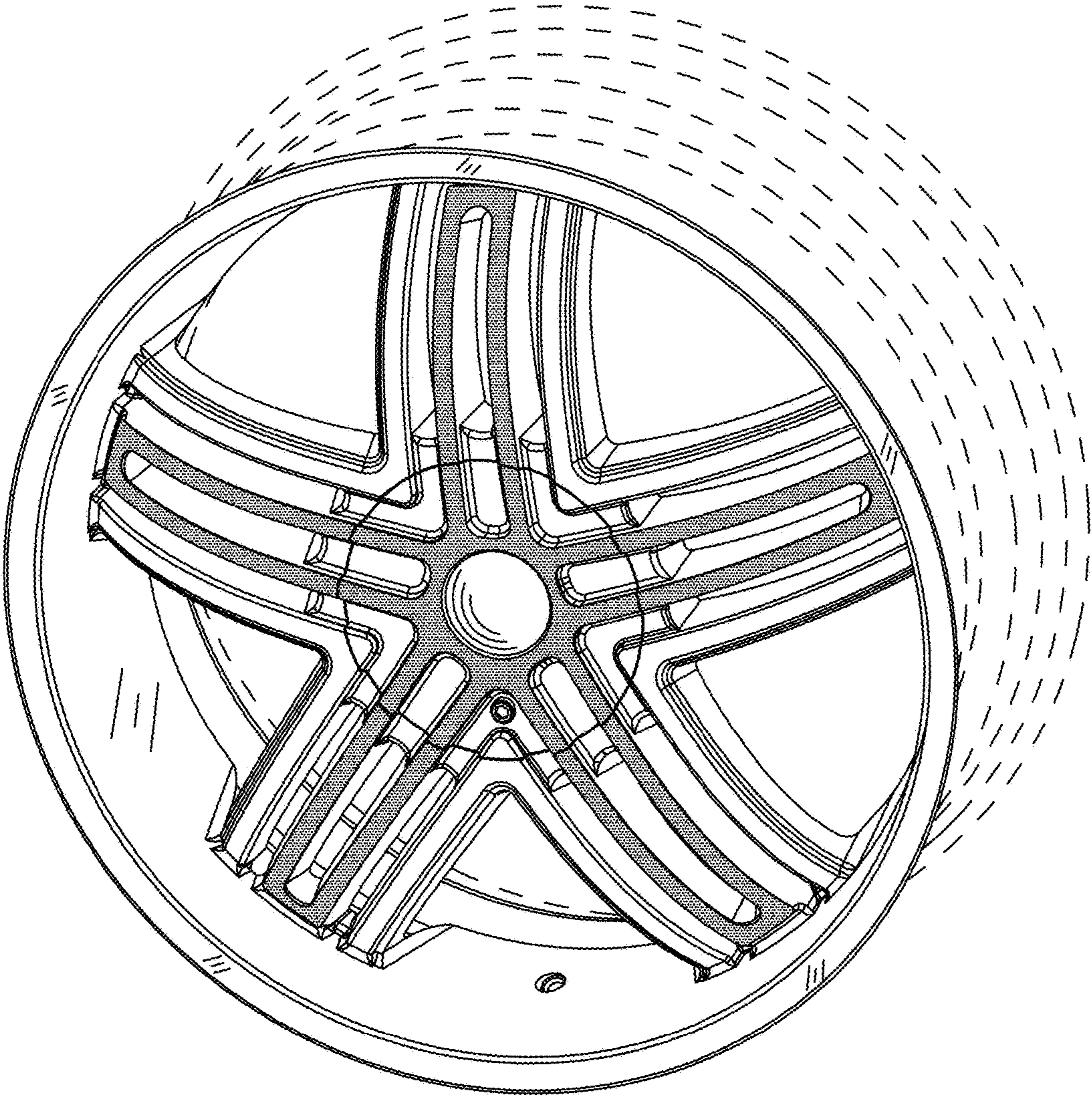


FIG.1

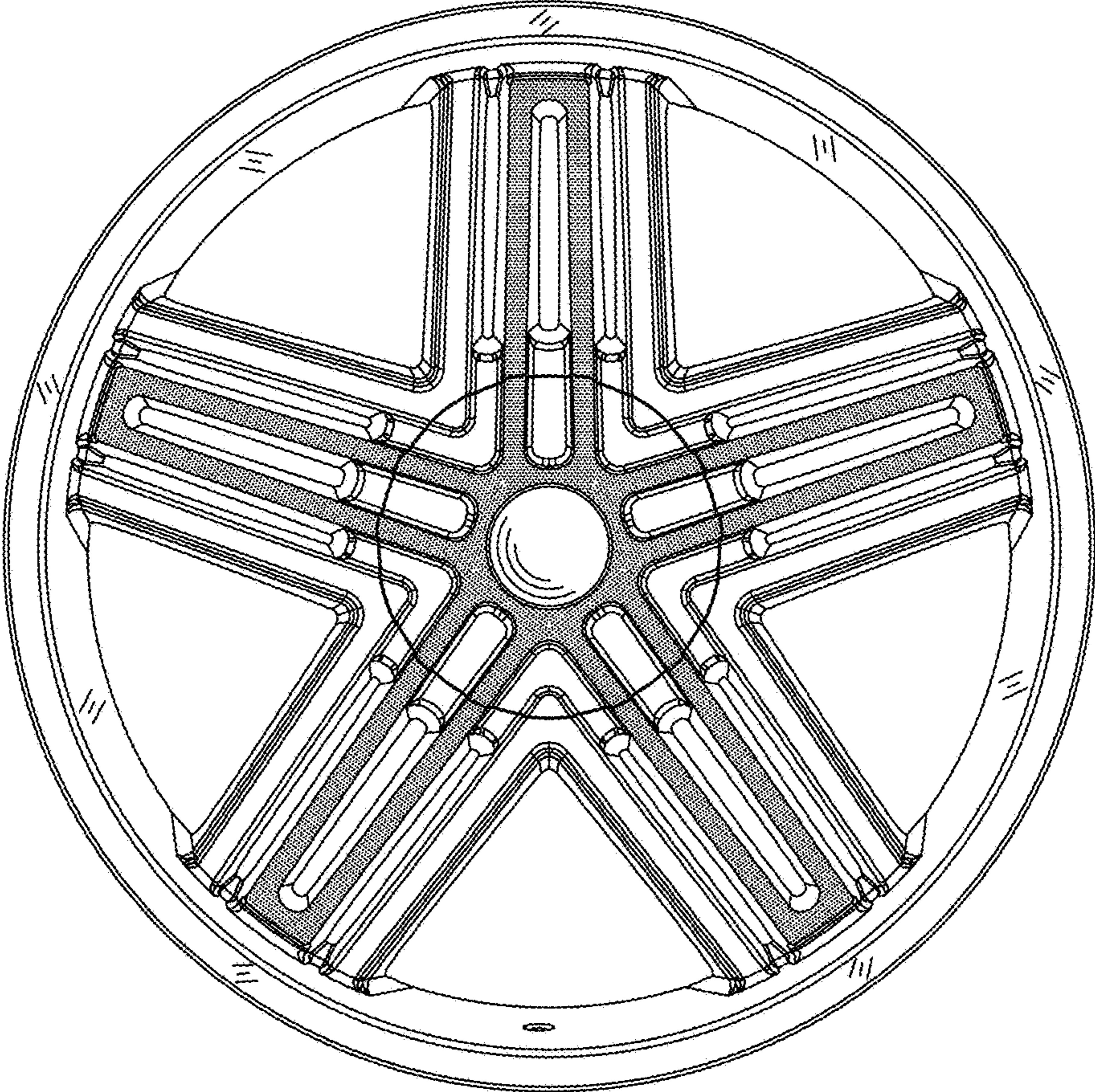


FIG.2