



US00D791049S

(12) **United States Design Patent**
Burki et al.

(10) **Patent No.:** **US D791,049 S**
(45) **Date of Patent:** **** Jul. 4, 2017**

(54) **WHEEL FOR A MOTOR VEHICLE, TOY AND/OR REPLICA**

(71) Applicant: **Dr. Ing. h.c.F. Porsche Aktiengesellschaft, Stuttgart (DE)**

(72) Inventors: **Emiel Burki, Stuttgart (DE); Fabian Schmoelz, Pforzheim (DE)**

(73) Assignee: **DR. ING. H.C.F. PORSCHE AKTIENGESELLSCHAFT, Stuttgart (DE)**

(**) Term: **15 Years**

(21) Appl. No.: **29/547,275**

(22) Filed: **Dec. 2, 2015**

(30) **Foreign Application Priority Data**

Aug. 6, 2015 (DE) 40 2015 100 733

(51) **LOC (10) Cl.** **12-16**

(52) **U.S. Cl.**
USPC **D12/211**

(58) **Field of Classification Search**

USPC D12/204–213
CPC B60B 7/00; B60B 7/02; B60B 7/04; B60B 7/01; B60B 7/06; B60B 3/02; B60B 3/04; B60B 3/06; B60B 3/10; B60B 1/00; B60B 1/08; B60B 1/10; B60B 1/12

See application file for complete search history.

(56) **References Cited**

U.S. PATENT DOCUMENTS

D418,473 S * 1/2000 Chung D12/211
D450,030 S * 11/2001 Pfeiffer D12/211
D471,503 S * 3/2003 Baumgartner D12/211

D500,003 S * 12/2004 Guevara D12/211
D536,655 S * 2/2007 Kim D12/211
D604,683 S * 11/2009 Hosai D12/209
D610,064 S * 2/2010 Dilber D12/211
D653,599 S * 2/2012 Zhao D12/211
D683,688 S * 6/2013 Alfonso D12/211
D721,317 S * 1/2015 Kern D12/211
D727,825 S * 4/2015 Chung D12/211
D741,244 S * 10/2015 Zhao D12/211
D741,775 S * 10/2015 Zhao D12/211
D743,316 S * 11/2015 Zhao D12/211
D749,486 S * 2/2016 Huang D12/211
D751,017 S * 3/2016 Chung D12/209
D765,574 S * 9/2016 Hale, Jr. D12/211
D768,045 S * 10/2016 Curic D12/209

* cited by examiner

Primary Examiner — Stacia Cadmus

(74) *Attorney, Agent, or Firm* — Gerald E. Hespos; Michael J. Porco; Matthew T. Hespos

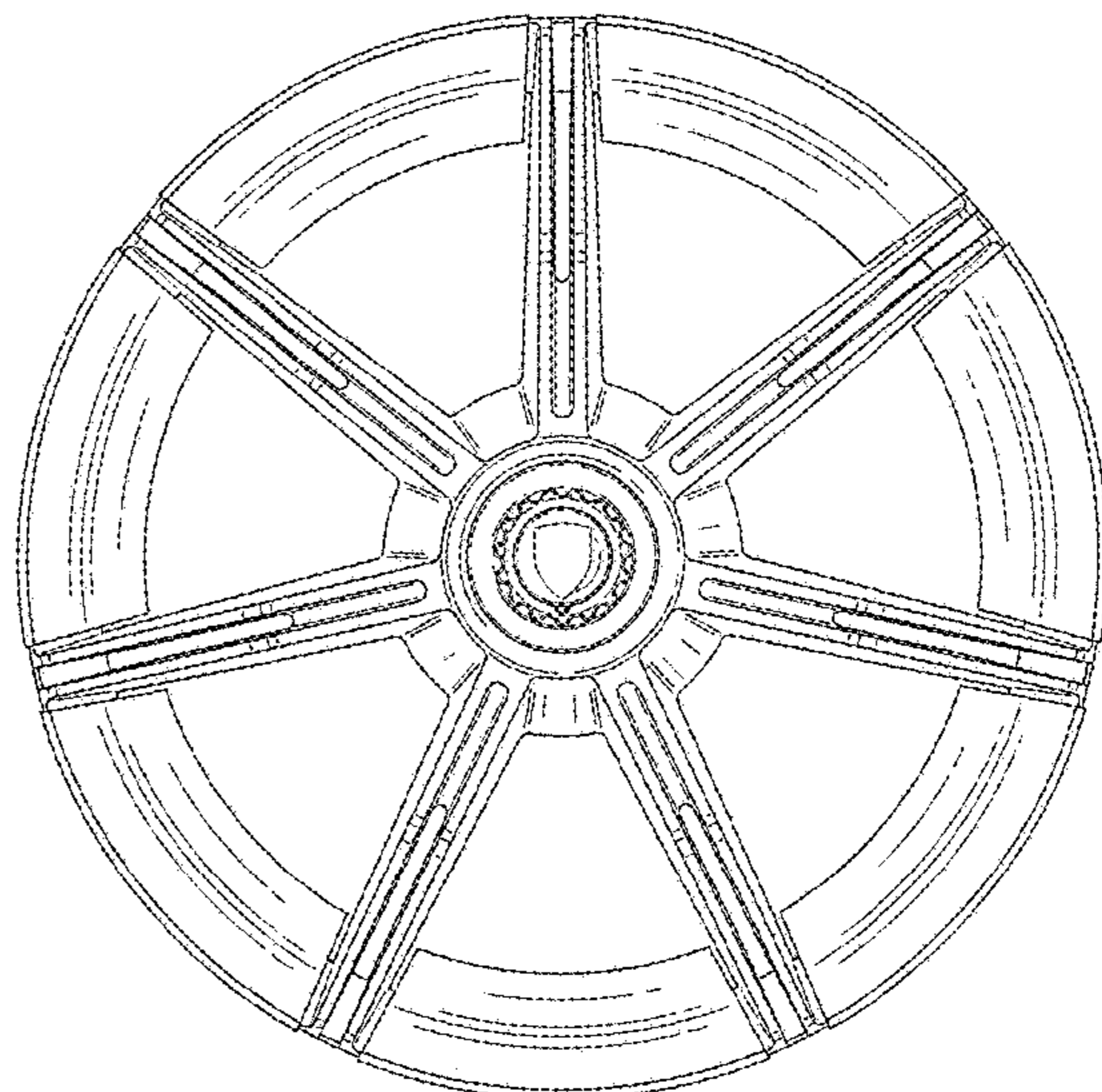
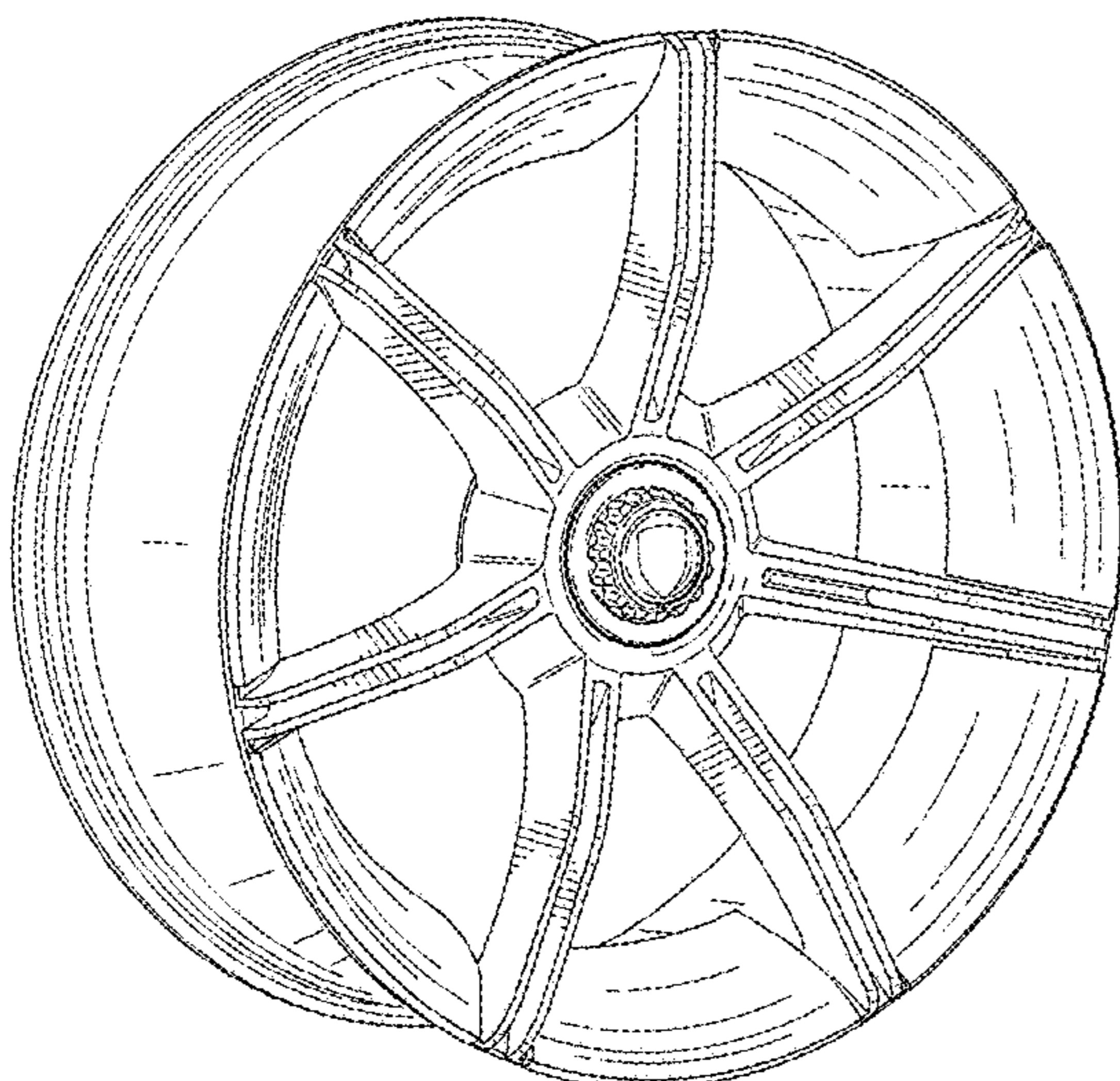
(57) **CLAIM**

The ornamental design of a wheel for a motor vehicle, toy and/or replica, as shown and described.

DESCRIPTION

FIG. 1 is a front and side perspective of a wheel for a motor vehicle, toy and/or replica in accordance with my design; FIG. 2 is a front elevational view thereof; FIG. 3 is a rear elevational view thereof; FIG. 4 is a side elevational view taken from the right side in FIG. 1; FIG. 5 is a side elevational view taken from the left side in FIG. 1; FIG. 6 is a top plan view thereof; and, FIG. 7 is a bottom plan view thereof. In the drawings, the broken lines depict environmental subject matter and form no part of the claimed design.

1 Claim, 7 Drawing Sheets



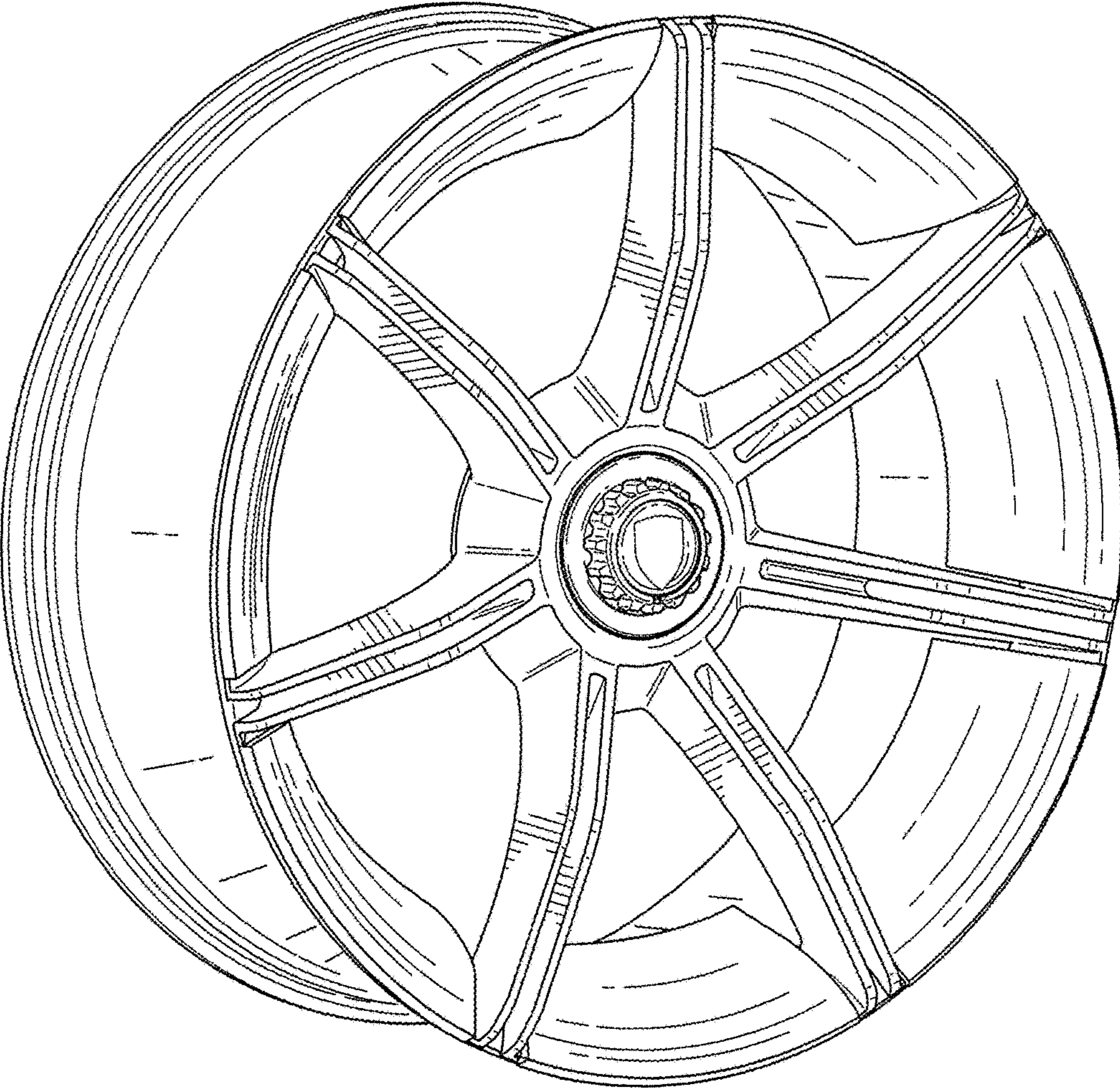


FIG. 1

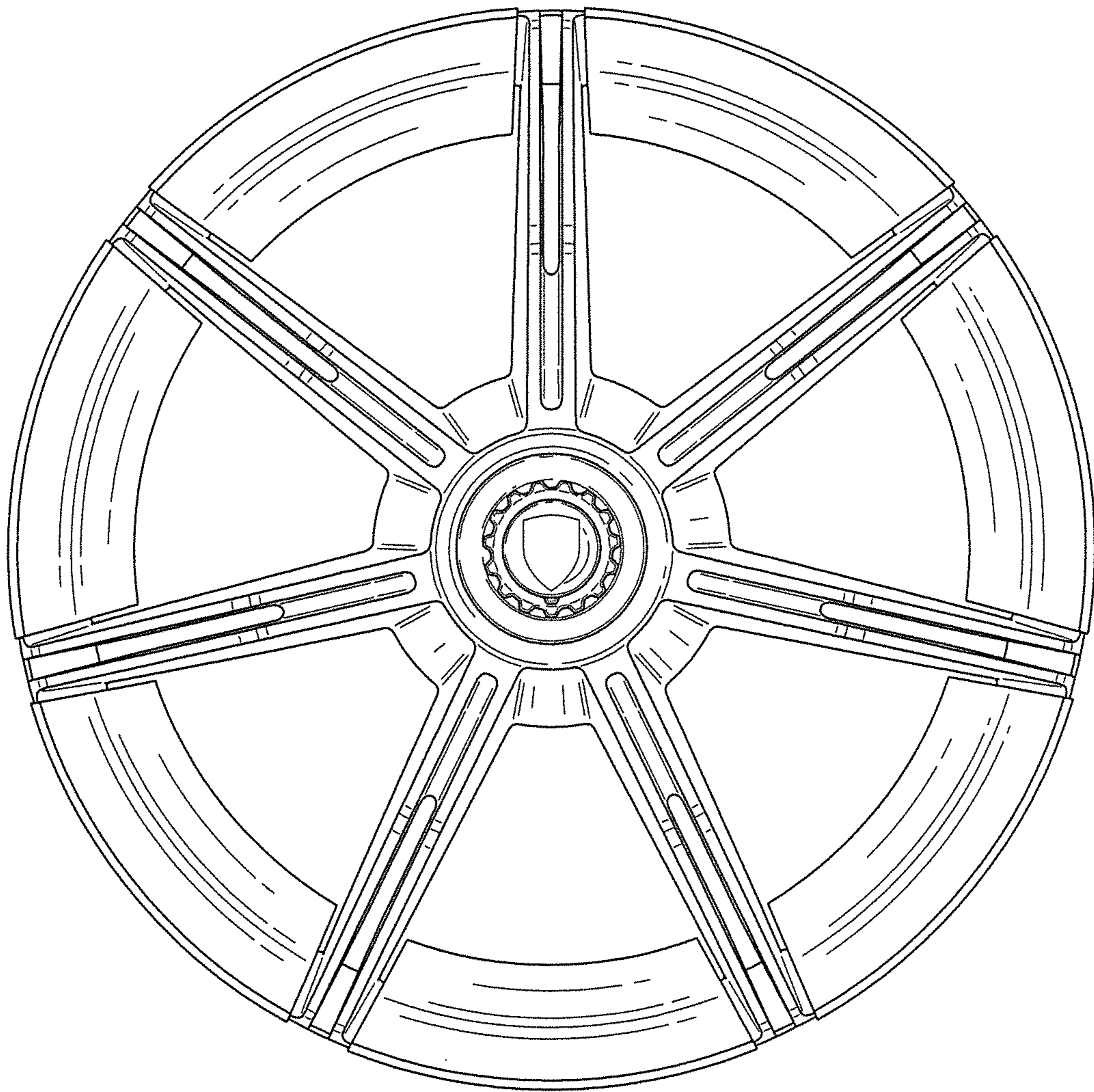


FIG. 2

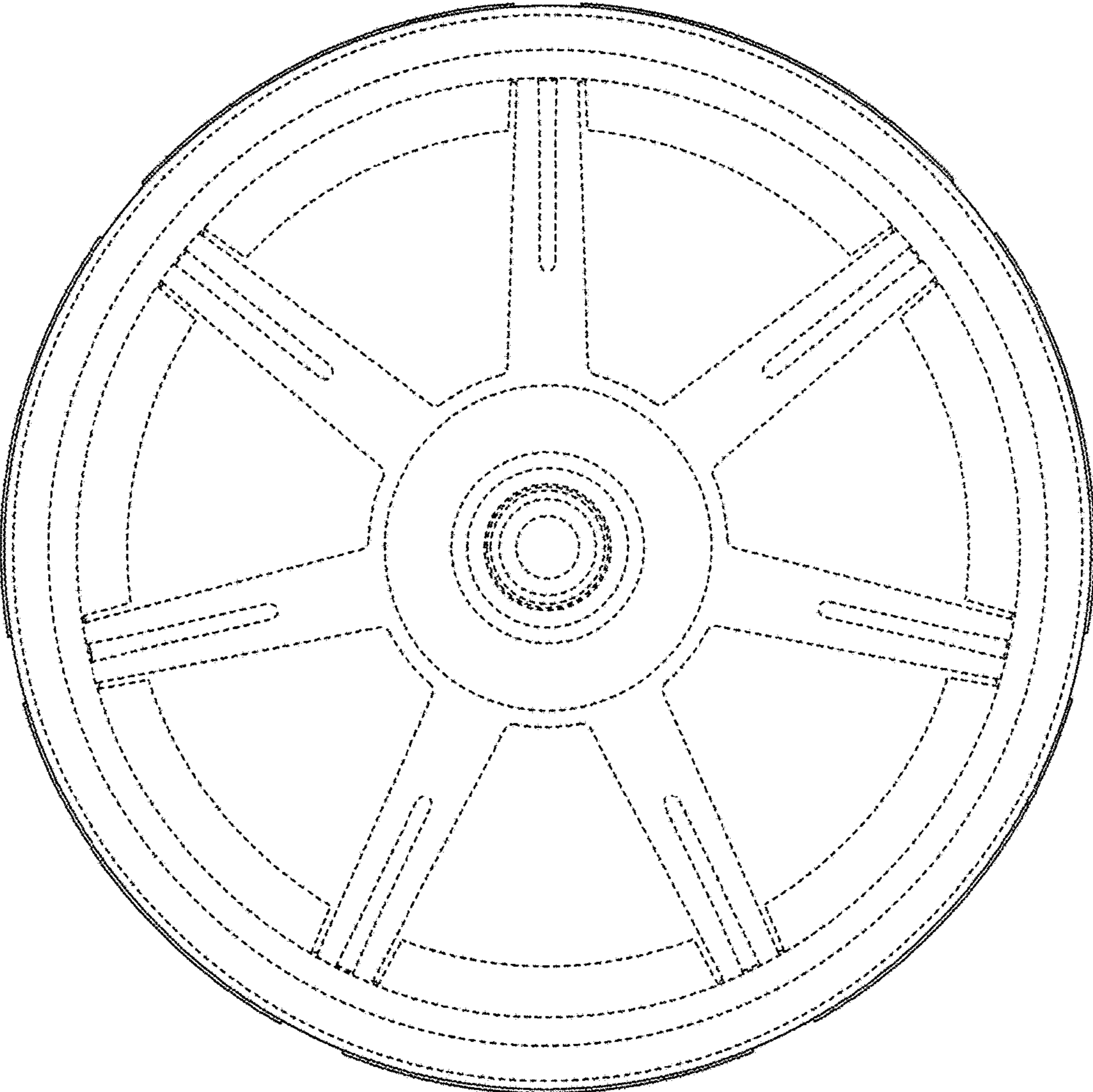


FIG. 3

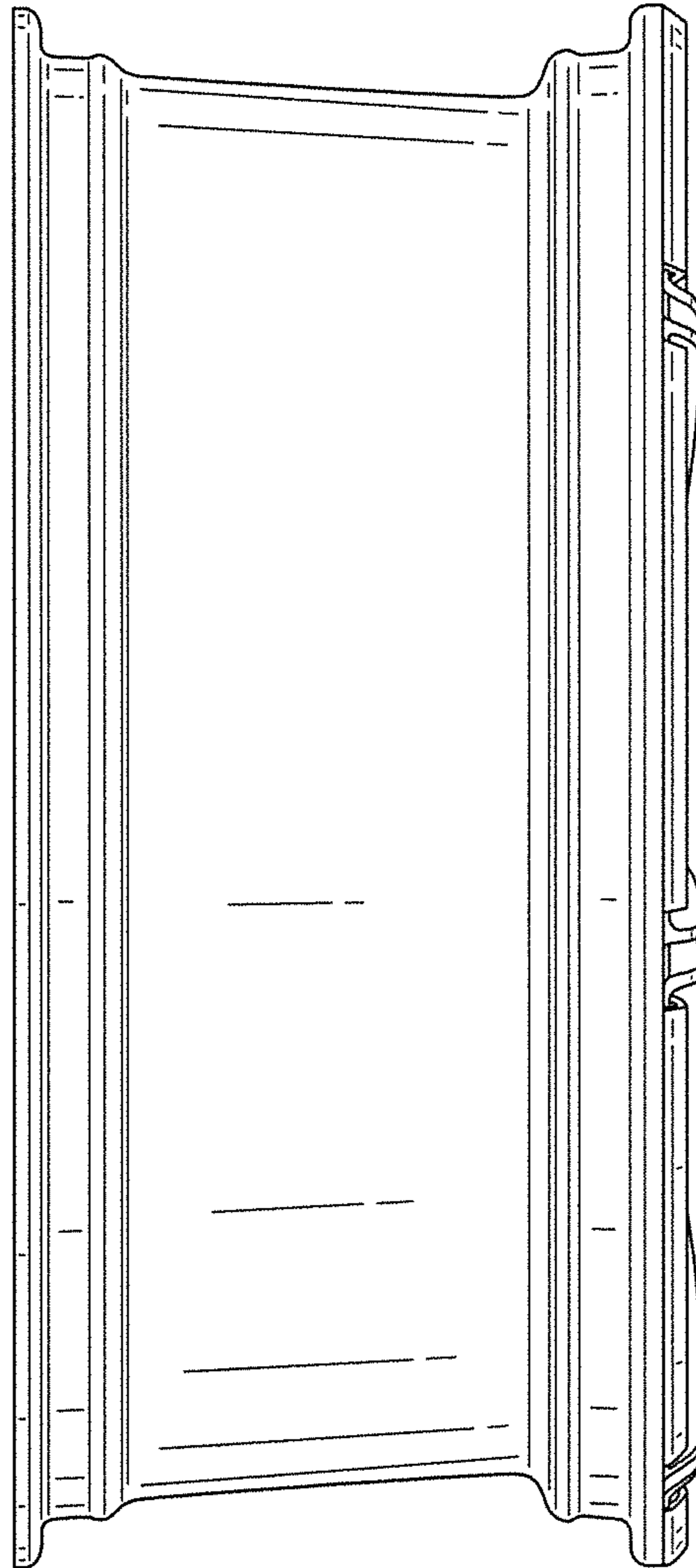


FIG. 4

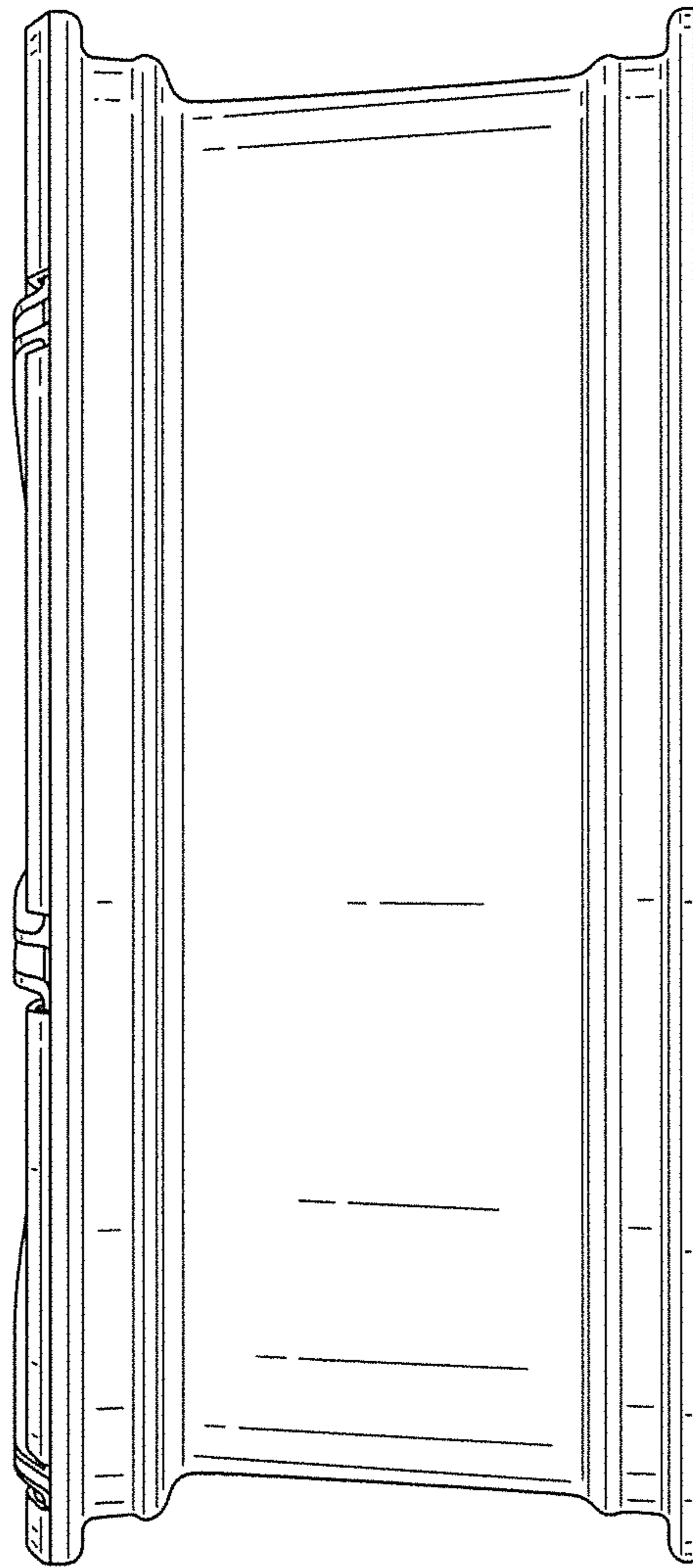


FIG. 5

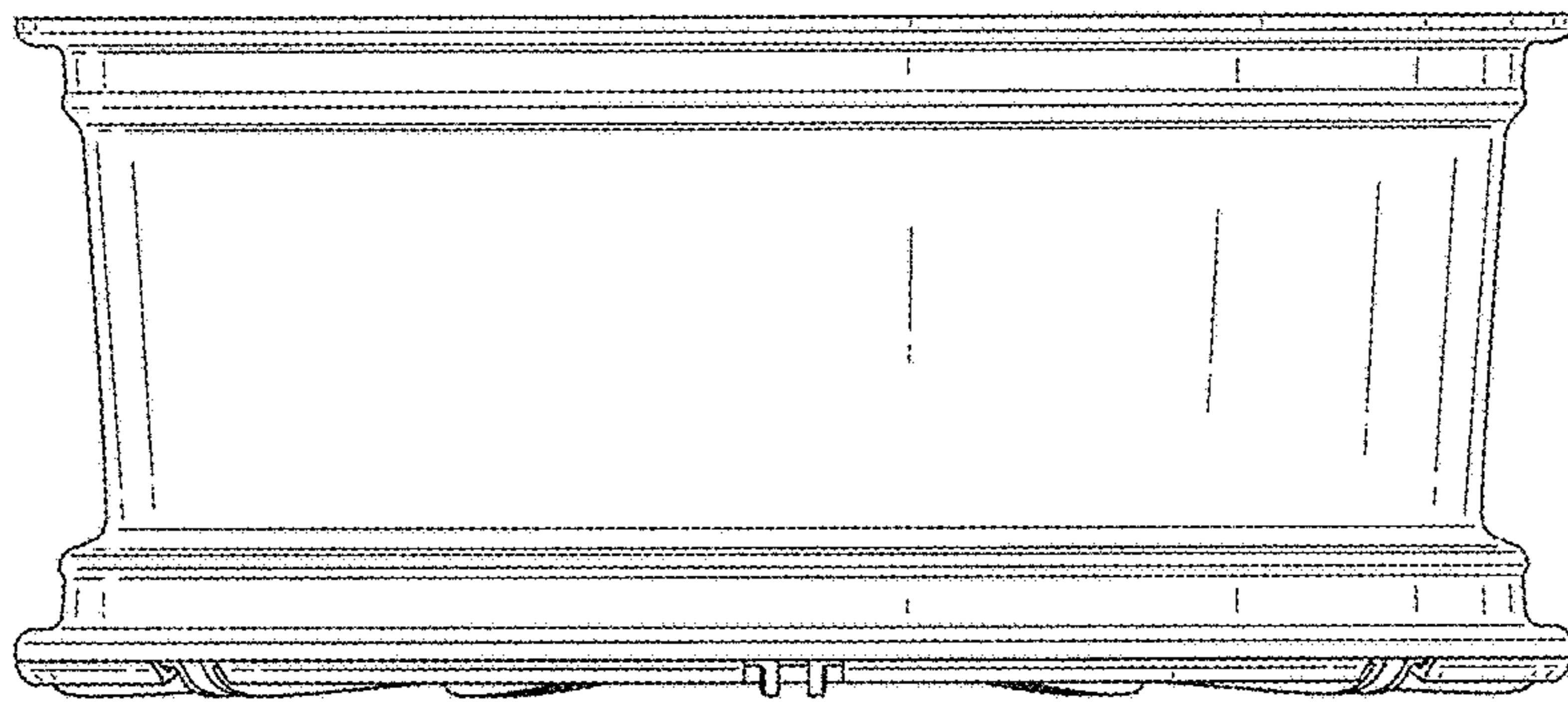


FIG. 6

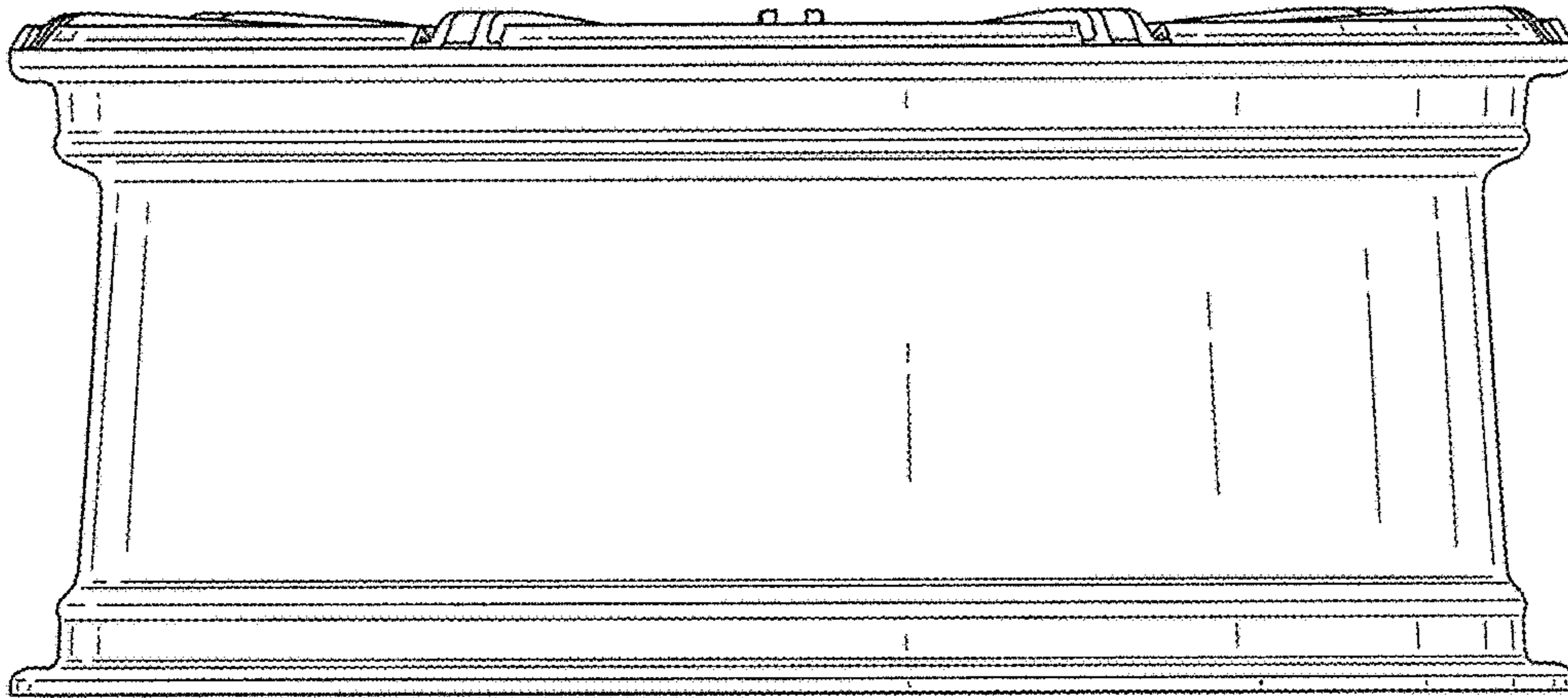


FIG. 7