



US00D791045S

(12) **United States Design Patent**  
**Johnson**

(10) **Patent No.:** **US D791,045 S**

(45) **Date of Patent:** **\*\* Jul. 4, 2017**

(54) **AUTOMOTIVE WHEEL**

(71) Applicant: **Kelly R. Johnson**, City of Industry, CA (US)

(72) Inventor: **Kelly R. Johnson**, City of Industry, CA (US)

(73) Assignee: **WHEEL GROUP HOLDINGS, LLC**, Ontario (CA)

(\*\*) Term: **15 Years**

(21) Appl. No.: **29/577,188**

(22) Filed: **Sep. 9, 2016**

(51) **LOC (10) Cl.** ..... **12-16**

(52) **U.S. Cl.**  
USPC ..... **D12/209**

(58) **Field of Classification Search**  
USPC ..... D12/204–213  
CPC .... B60B 7/00; B60B 7/02; B60B 7/04; B60B 7/01; B60B 7/06; B60B 3/02; B60B 3/04; B60B 3/06; B60B 3/10; B60B 1/00; B60B 1/08; B60B 1/10; B60B 1/12  
See application file for complete search history.

(56) **References Cited**

**U.S. PATENT DOCUMENTS**

|            |   |         |           |       |         |
|------------|---|---------|-----------|-------|---------|
| D408,345 S | * | 4/1999  | Cullen    | ..... | D12/209 |
| D431,515 S | * | 10/2000 | Donikoglu | ..... | D12/209 |
| D432,972 S | * | 10/2000 | Chung     | ..... | D12/209 |

|            |   |         |            |       |         |
|------------|---|---------|------------|-------|---------|
| D437,819 S | * | 2/2001  | Brown      | ..... | D12/209 |
| D446,762 S | * | 8/2001  | Hussaini   | ..... | D12/209 |
| D456,331 S | * | 4/2002  | Chung      | ..... | D12/209 |
| D457,849 S | * | 5/2002  | Kataoka    | ..... | D12/209 |
| D458,572 S | * | 6/2002  | Fitzgerald | ..... | D12/209 |
| D461,442 S | * | 8/2002  | Kataoka    | ..... | D12/211 |
| D471,500 S | * | 3/2003  | Kataoka    | ..... | D12/209 |
| D480,346 S | * | 10/2003 | Kataoka    | ..... | D12/209 |
| D488,116 S | * | 4/2004  | Chung      | ..... | D12/209 |
| D488,762 S | * | 4/2004  | Cahyono    | ..... | D12/209 |
| D495,285 S | * | 8/2004  | Phillips   | ..... | D12/209 |
| D507,774 S | * | 7/2005  | Calderone  | ..... | D12/209 |
| D519,901 S | * | 5/2006  | Panano     | ..... | D12/209 |
| D545,261 S | * | 6/2007  | Looho      | ..... | D12/209 |
| D571,274 S | * | 6/2008  | Chung      | ..... | D12/209 |
| D634,250 S | * | 3/2011  | Matei      | ..... | D12/209 |
| D709,015 S | * | 7/2014  | Smith      | ..... | D12/209 |

\* cited by examiner

*Primary Examiner* — Stacia Cadmus

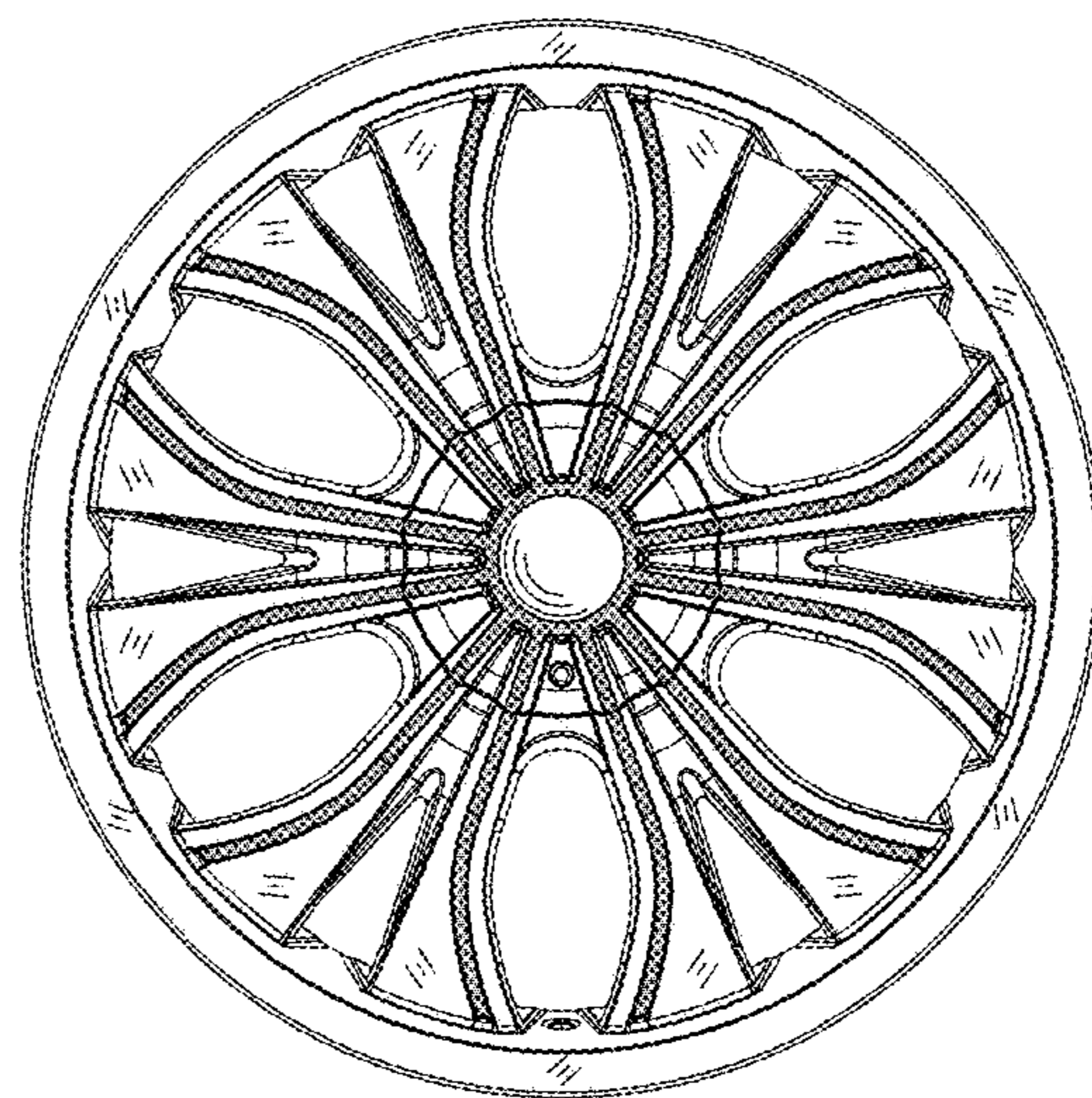
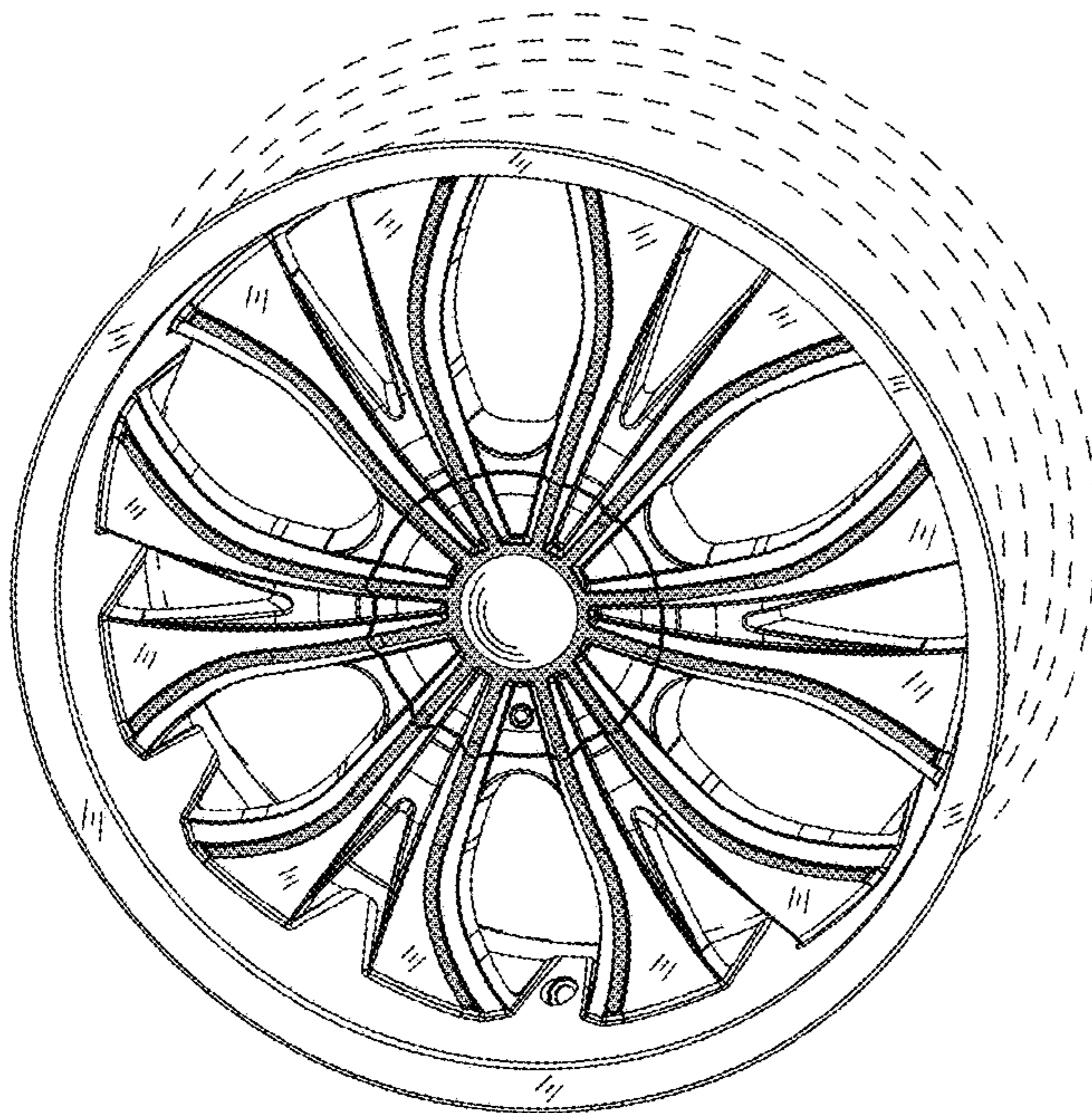
(57) **CLAIM**

The ornamental design for an automotive wheel, as show and described.

**DESCRIPTION**

FIG. 1 is a perspective view of an automotive wheel showing my new design; and, FIG. 2 is a front elevational view thereof. The broken line showing of the rear portion of the rim is included for the purpose of illustrating environment and forms no part of the claimed design.

**1 Claim, 2 Drawing Sheets**





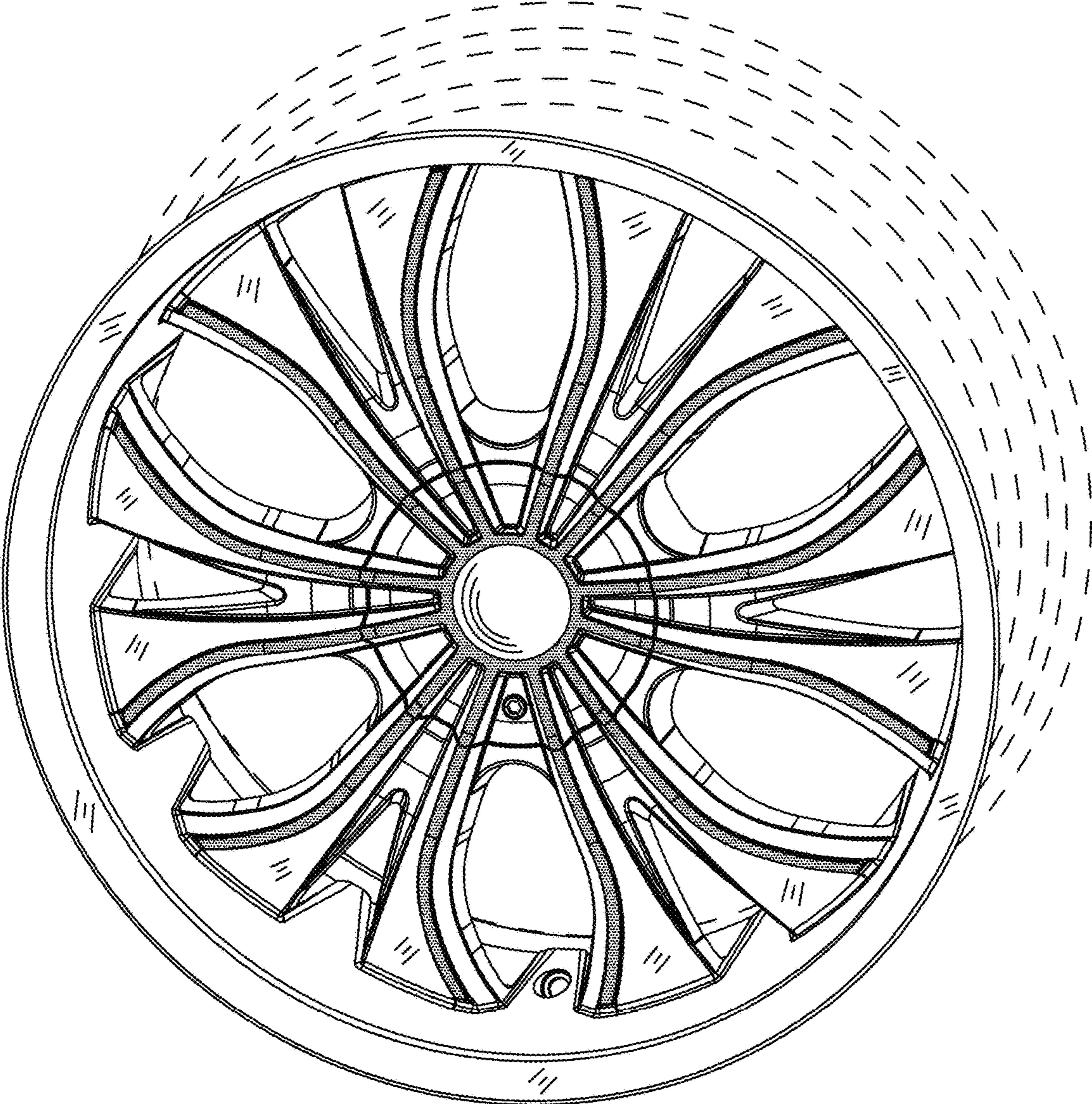


FIG.1

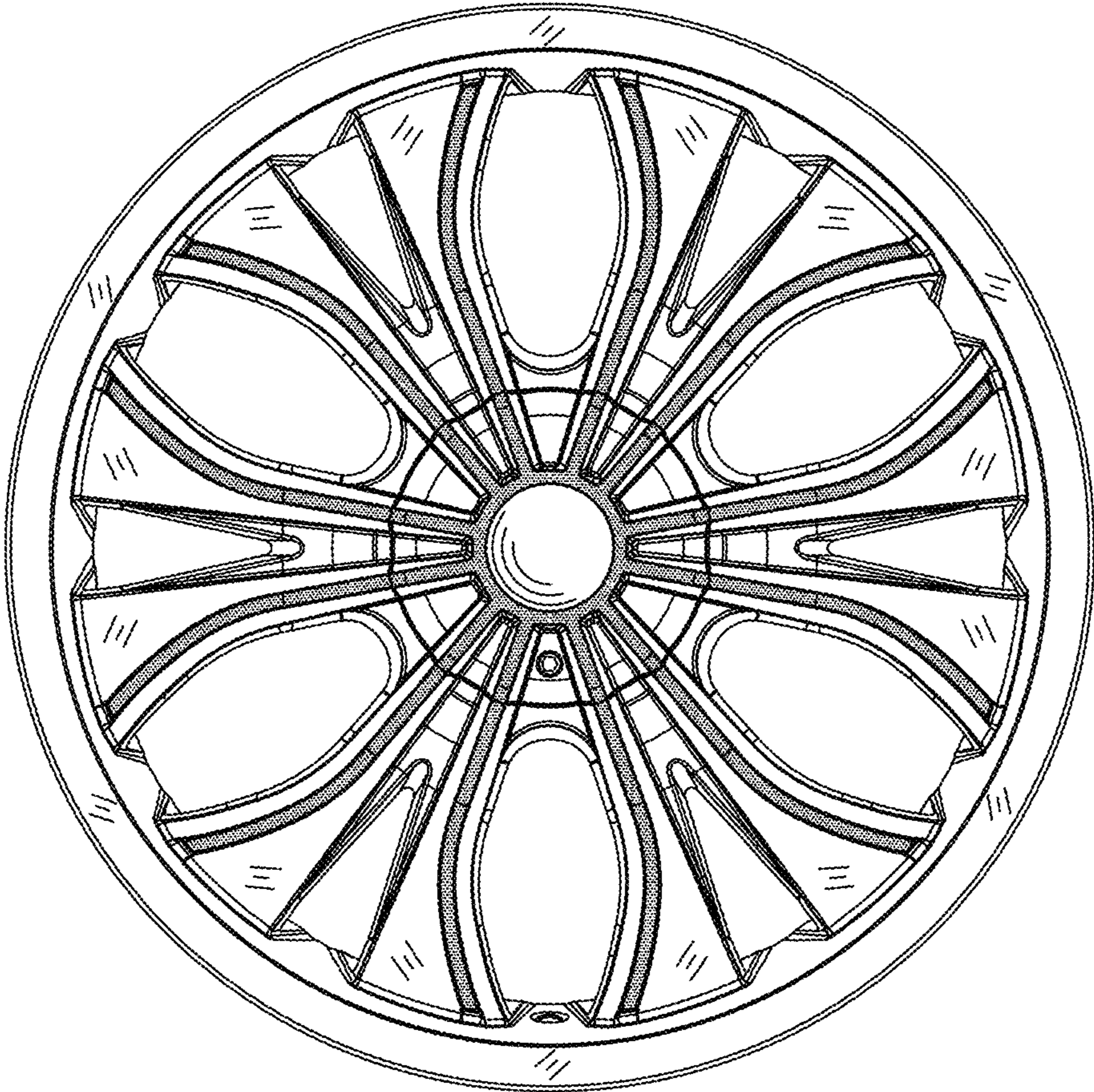


FIG. 2