



US00D791044S

(12) **United States Design Patent**
Johnson

(10) **Patent No.:** **US D791,044 S**

(45) **Date of Patent:** **** Jul. 4, 2017**

(54) **AUTOMOTIVE WHEEL**

(71) Applicant: **Kelly R. Johnson**, City of Industry, CA (US)

(72) Inventor: **Kelly R. Johnson**, City of Industry, CA (US)

(73) Assignee: **WHEEL GROUP HOLDINGS, LLC**, Ontario (CA)

(**) Term: **15 Years**

(21) Appl. No.: **29/575,534**

(22) Filed: **Aug. 25, 2016**

(51) **LOC (10) Cl.** **12-16**

(52) **U.S. Cl.**
USPC **D12/209**

(58) **Field of Classification Search**
USPC D12/204–213
CPC B60B 7/00; B60B 7/02; B60B 7/04; B60B 7/01; B60B 7/06; B60B 3/02; B60B 3/04; B60B 3/06; B60B 3/10; B60B 1/00; B60B 1/08; B60B 1/10; B60B 1/12
See application file for complete search history.

(56) **References Cited**

U.S. PATENT DOCUMENTS

D204,669 S * 5/1966 Goodwin D12/209
D436,340 S * 1/2001 Kaucher D12/209

D499,681 S * 12/2004 Boyer D12/209
D503,917 S * 4/2005 Kushartanto D12/209
D522,953 S * 6/2006 Guevara D12/211
D535,934 S * 1/2007 Scheu D12/211
D623,110 S * 9/2010 Juergens D12/209
D643,793 S * 8/2011 Juergens D12/209
D662,868 S * 7/2012 Furst D12/209
D679,645 S * 4/2013 Chung D12/209
D705,713 S * 5/2014 Wagener D12/209
D716,712 S * 11/2014 Lemke D12/211
D754,049 S * 4/2016 Valencia Pollex D12/209
D764,369 S * 8/2016 Wheel D12/209
D764,373 S * 8/2016 Valencia Pollex D12/211
D770,959 S * 11/2016 Chung D12/211
D774,440 S * 12/2016 Johnson D12/211
D775,578 S * 1/2017 Johnson D12/211

* cited by examiner

Primary Examiner — Stacia Cadmus

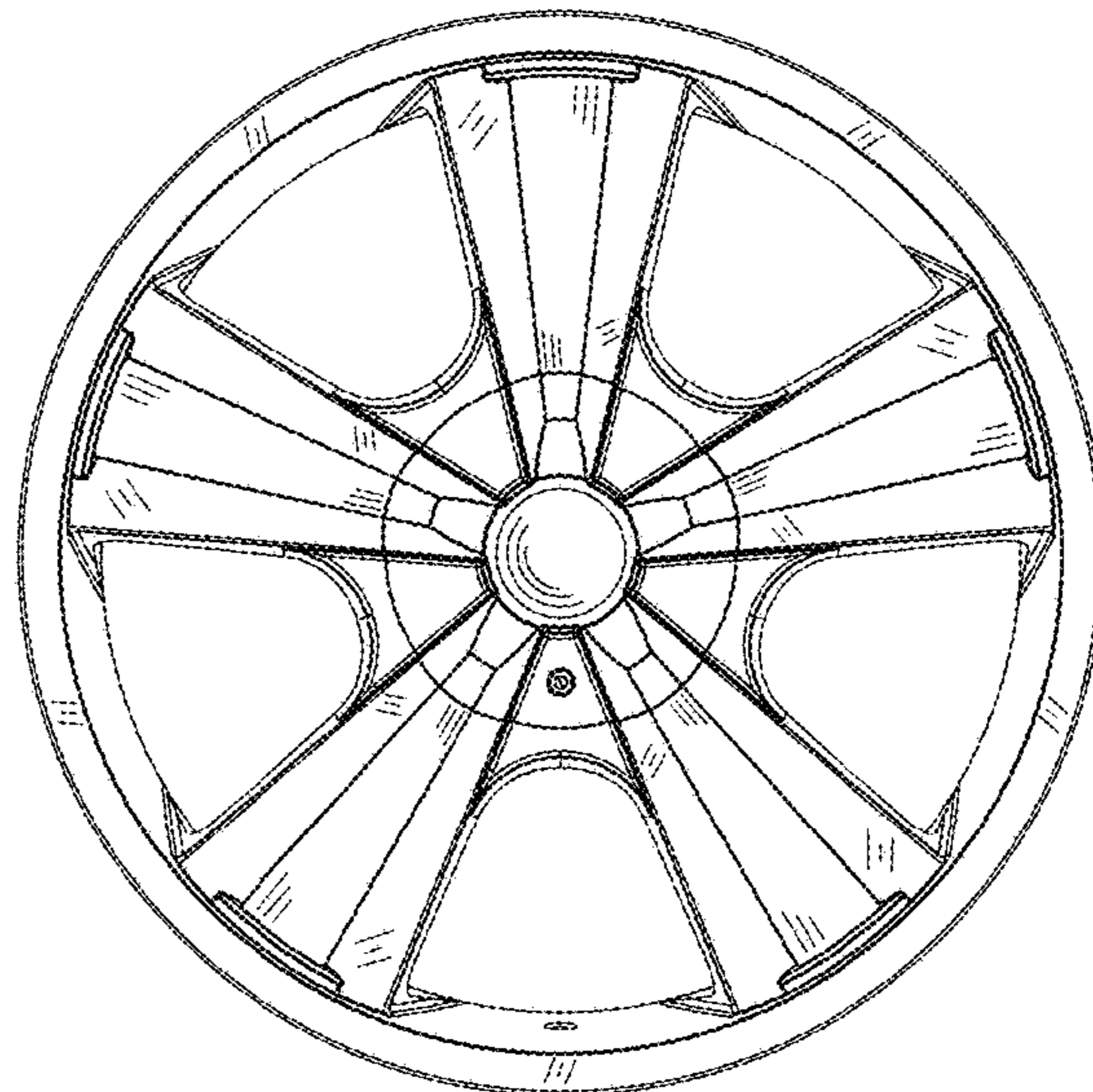
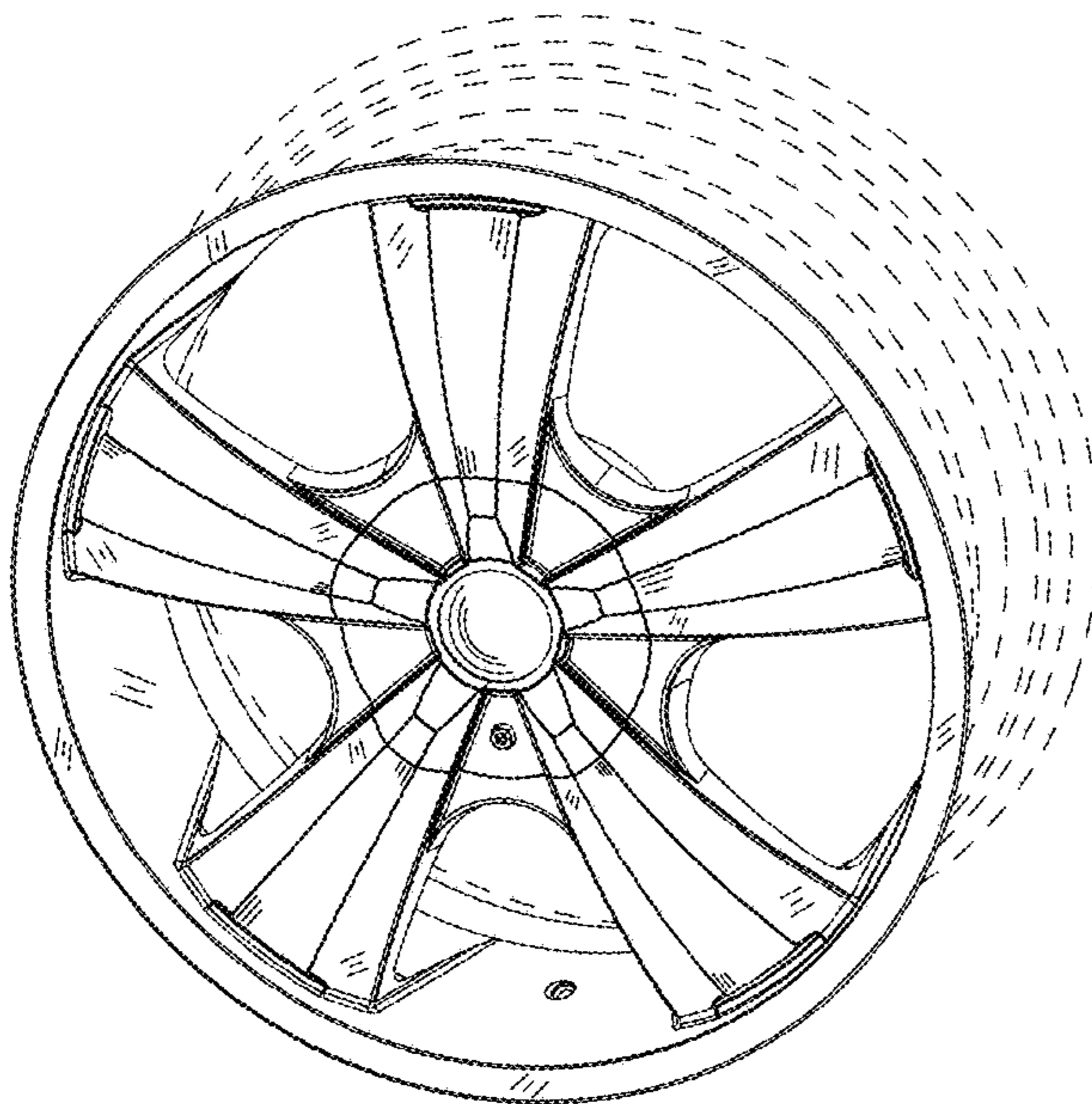
(57) **CLAIM**

The ornamental design for an automotive wheel, as show and described.

DESCRIPTION

FIG. 1 is a perspective view of an automotive wheel showing my new design; and, FIG. 2 is a front elevational view thereof. The broken line showing of the rear portion of the rim is included for the purpose of illustrating environment and forms no part of the claimed design.

1 Claim, 2 Drawing Sheets



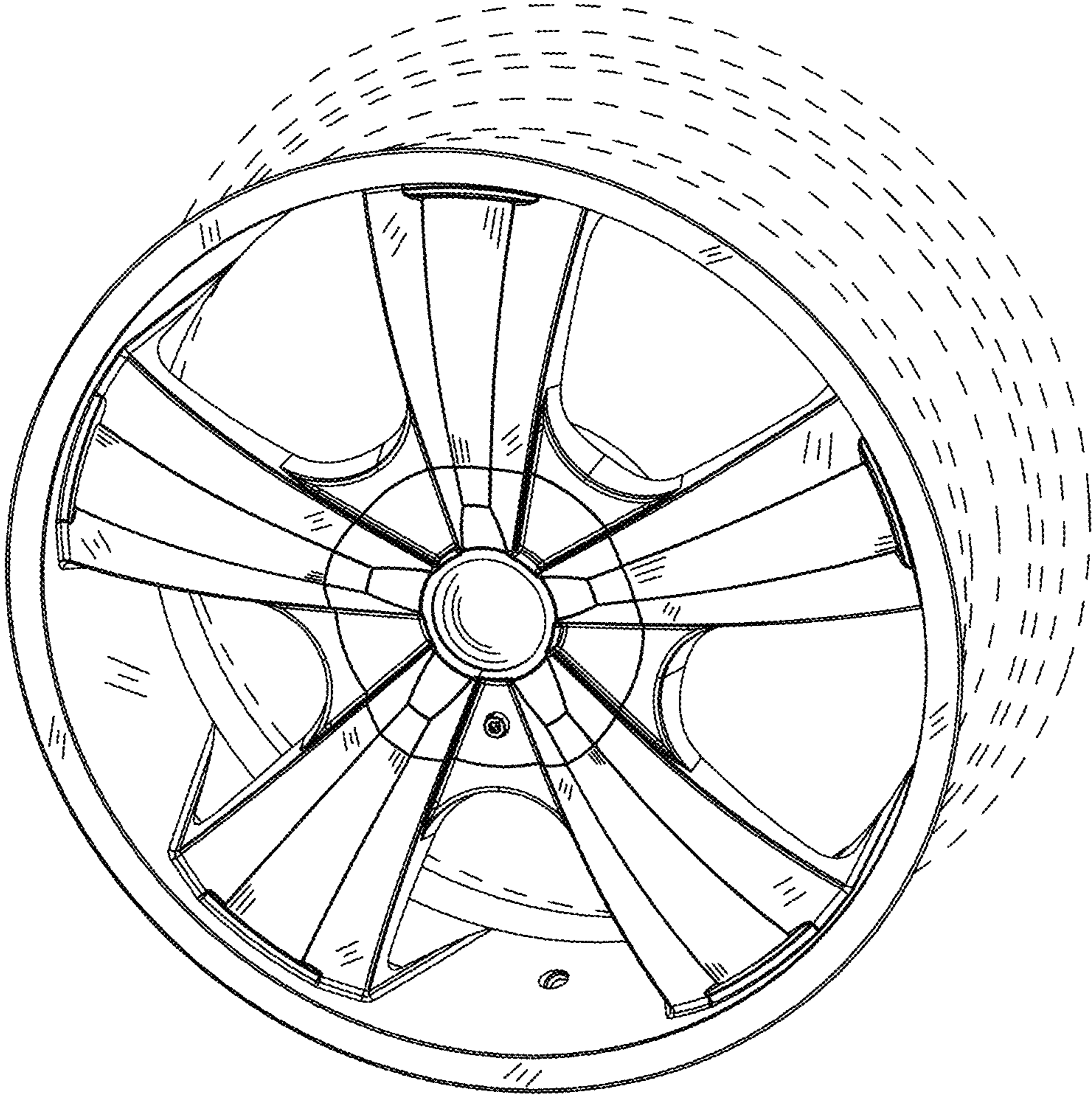


FIG.1

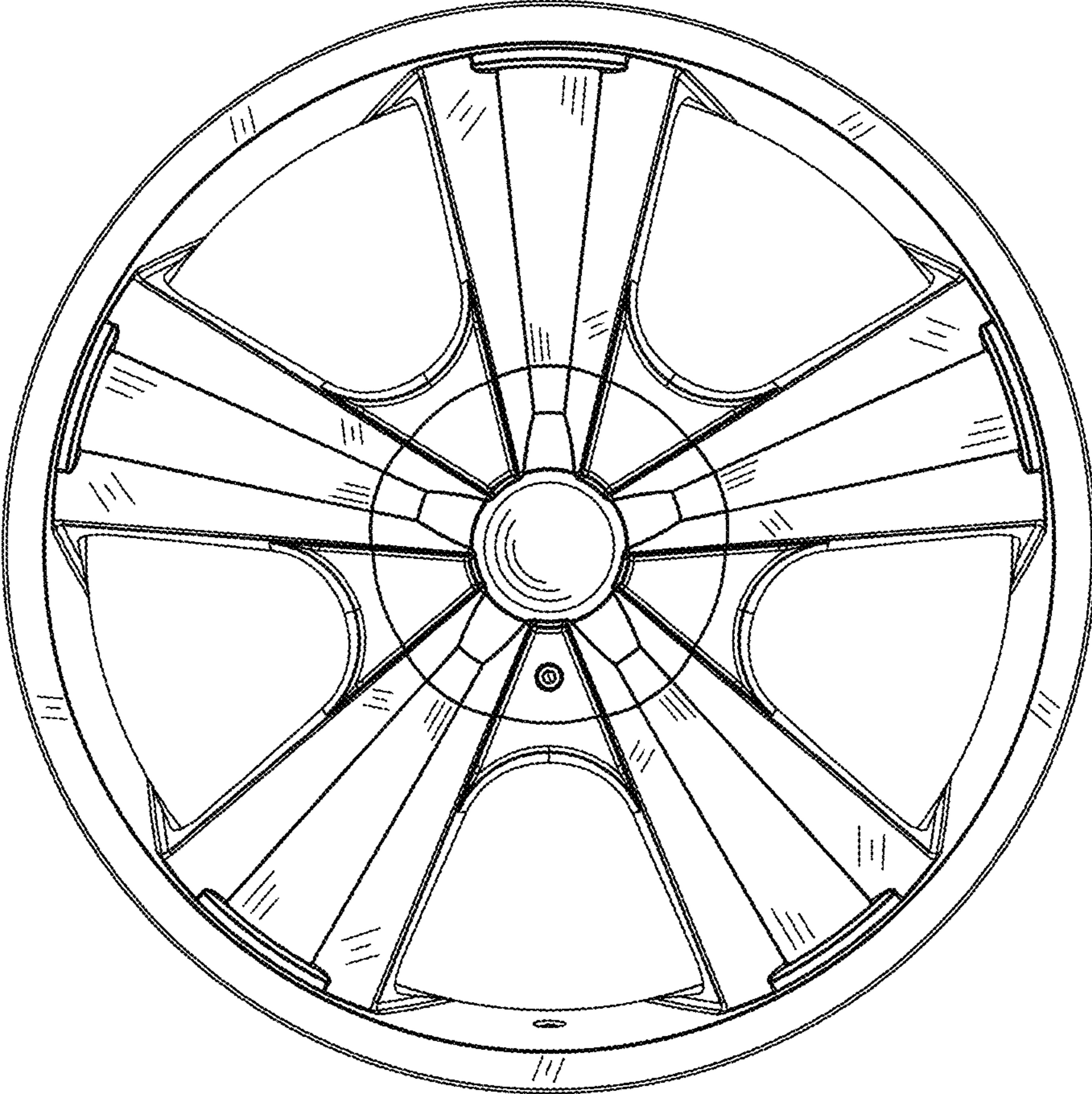


FIG. 2