



US00D791041S

(12) **United States Design Patent**
Johnson

(10) **Patent No.:** **US D791,041 S**
(45) **Date of Patent:** **** Jul. 4, 2017**

(54) **AUTOMOTIVE WHEEL**

(71) Applicant: **Kelly R. Johnson**, City of Industry, CA (US)

(72) Inventor: **Kelly R. Johnson**, City of Industry, CA (US)

(73) Assignee: **WHEEL GROUP HOLDINGS, LLC**, Onatario (CA)

(**) Term: **15 Years**

(21) Appl. No.: **29/575,490**

(22) Filed: **Aug. 25, 2016**

(51) **LOC (10) Cl.** **12-16**

(52) **U.S. Cl.**
USPC **D12/209**

(58) **Field of Classification Search**
USPC D12/204–213
CPC B60B 7/00; B60B 7/02; B60B 7/04; B60B 7/01; B60B 7/06; B60B 3/02; B60B 3/04; B60B 3/06; B60B 3/10; B60B 1/00; B60B 1/08; B60B 1/10; B60B 1/12
See application file for complete search history.

(56) **References Cited**

U.S. PATENT DOCUMENTS

D392,239 S * 3/1998 Cullen D12/211
D415,991 S * 11/1999 Wang D12/211

D508,007 S * 8/2005 Koch D12/211
D577,322 S * 9/2008 Scheu D12/209
D619,071 S * 7/2010 Christensen D12/211
D639,221 S * 6/2011 Johnson D12/209
D639,715 S * 6/2011 Furst D12/209
D669,007 S * 10/2012 Starr, Jr. D12/209
D686,963 S * 7/2013 Hale, Jr. D12/211
D715,722 S * 10/2014 Johnson D12/211
D719,496 S * 12/2014 Johnson D12/209
D719,891 S * 12/2014 Johnson D12/209
D721,318 S * 1/2015 Kim D12/211
D738,280 S * 9/2015 Hale D12/209
D745,842 S * 12/2015 Wheel D12/209
D748,557 S * 2/2016 Johnson D12/209
D763,769 S * 8/2016 Johnson D12/211
D781,205 S * 3/2017 O'Neill D12/211

* cited by examiner

Primary Examiner — Stacia Cadmus

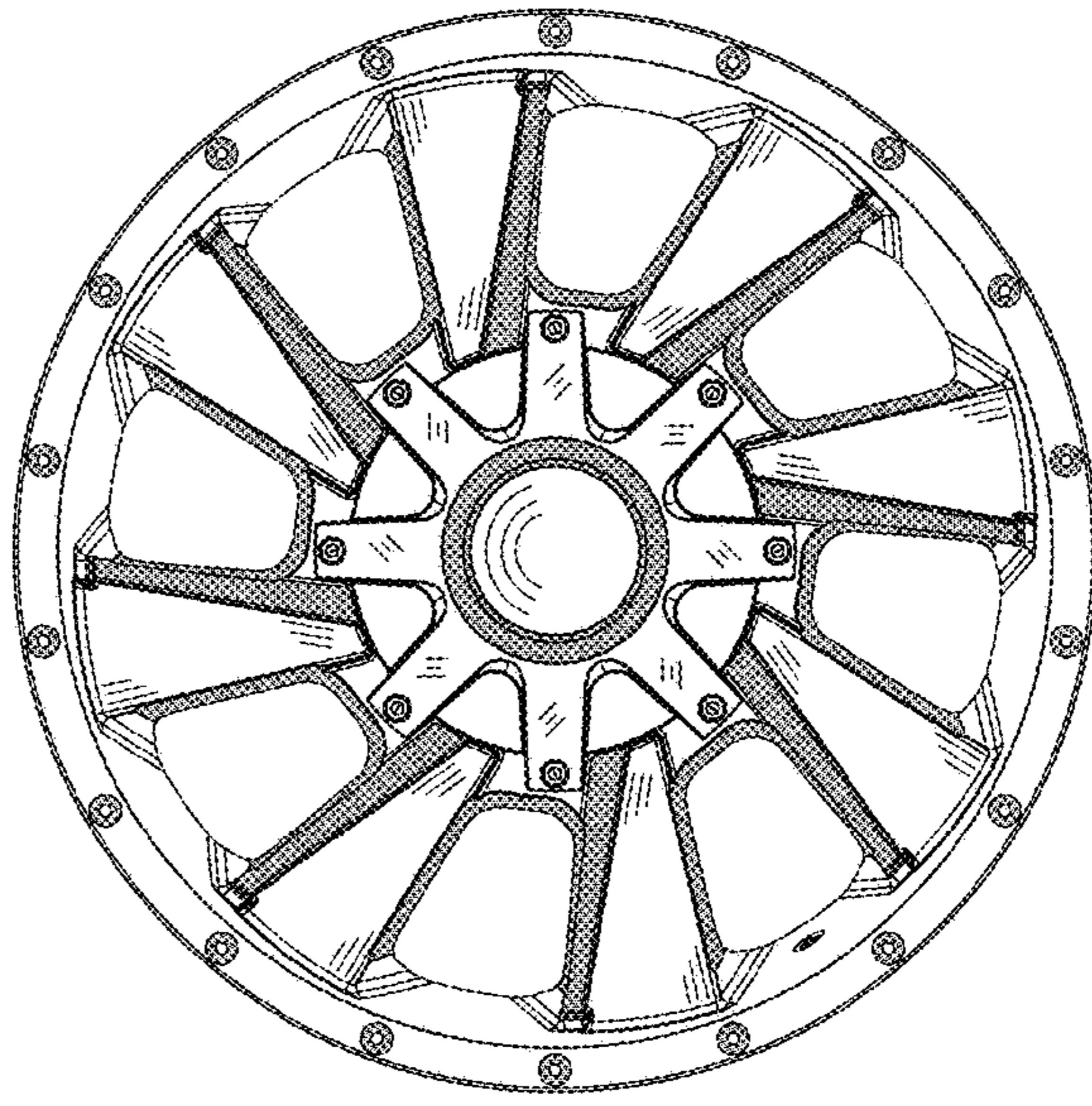
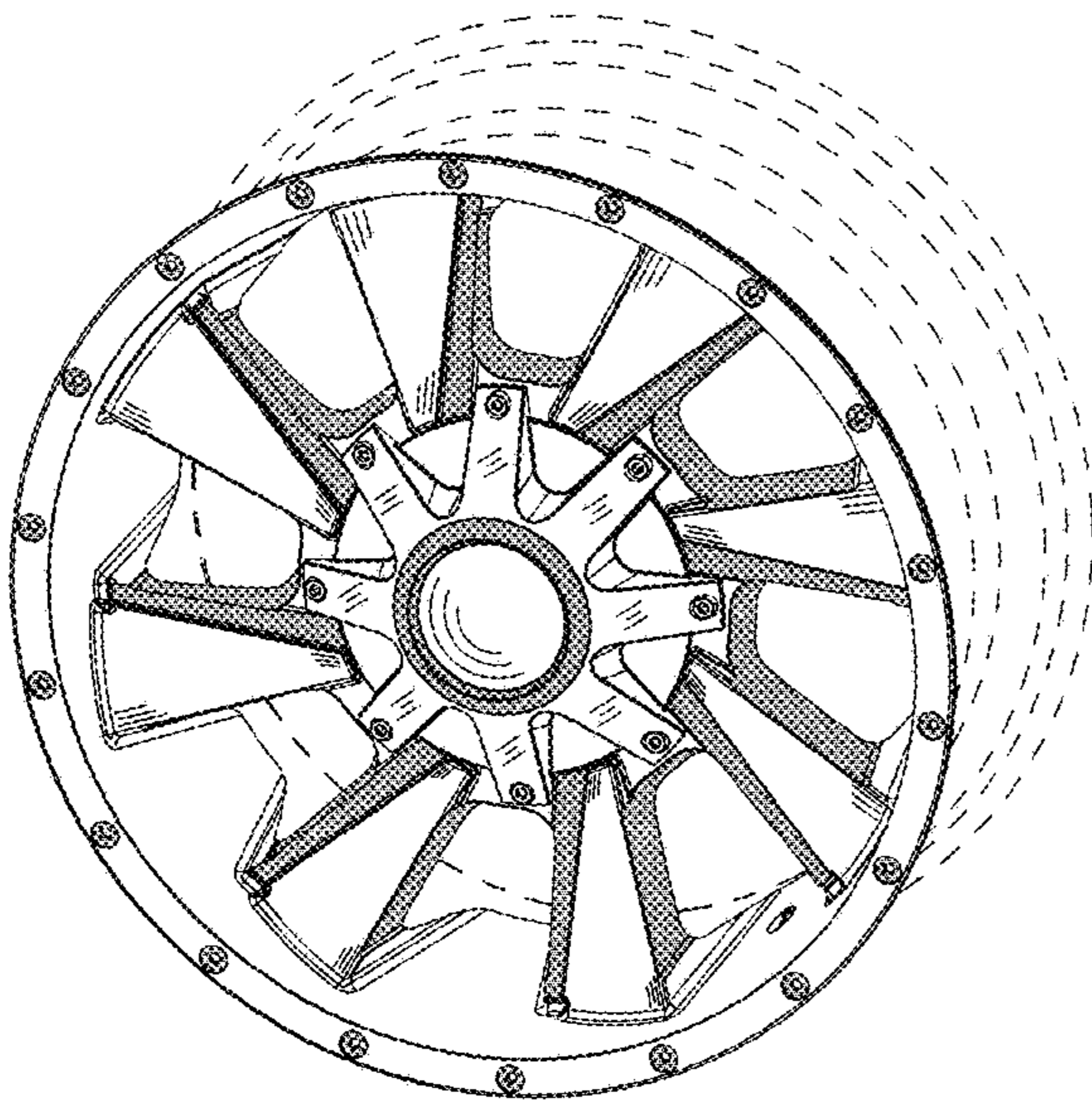
(57) **CLAIM**

The ornamental design for an automotive wheel, as show and described.

DESCRIPTION

FIG. 1 is a perspective view of an automotive wheel showing my new design; and, FIG. 2 is a front elevational view thereof. The broken line showing of the rear portion of the rim is included for the purpose of illustrating environment and forms no part of the claimed design.

1 Claim, 2 Drawing Sheets



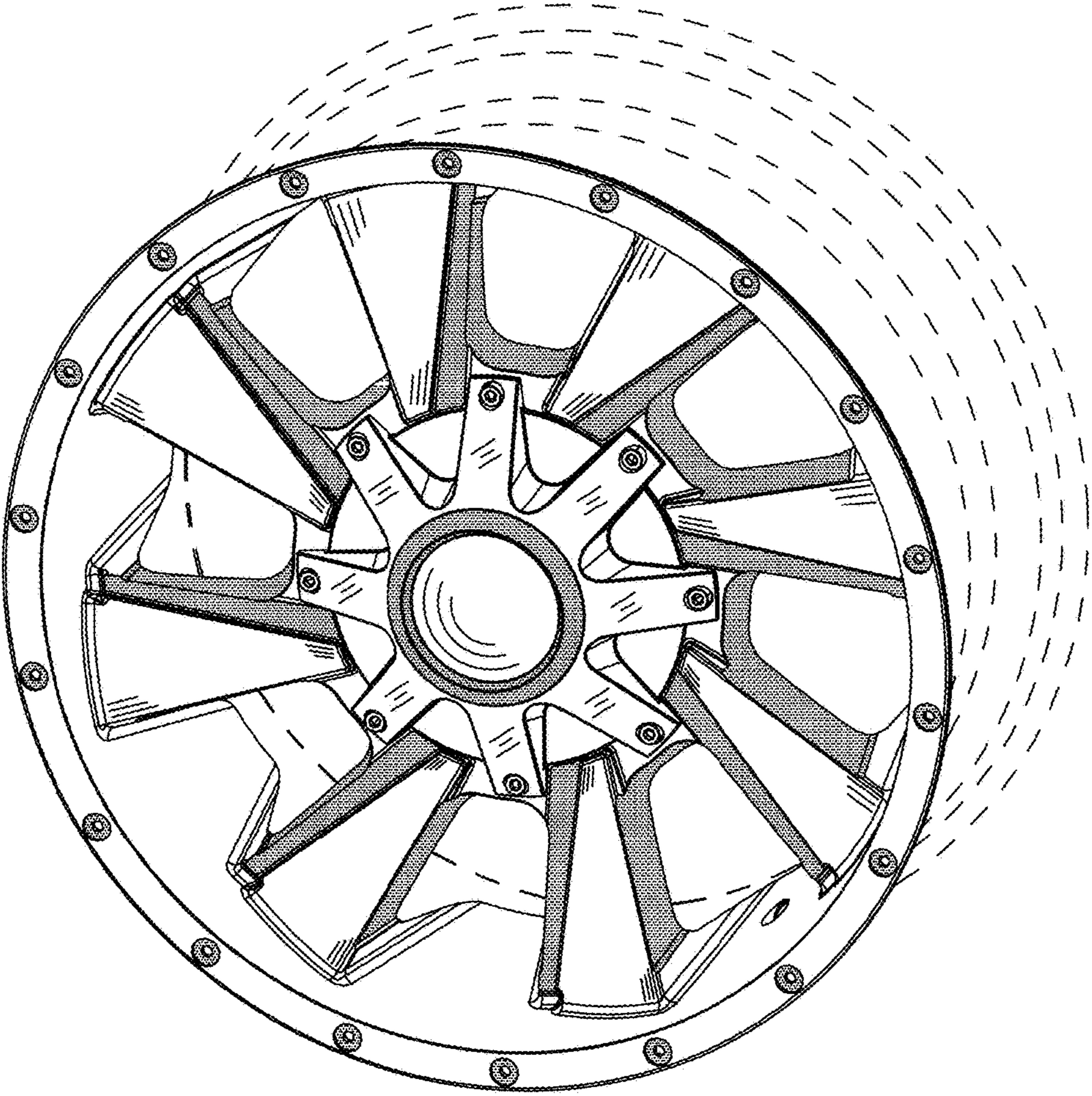


FIG.1

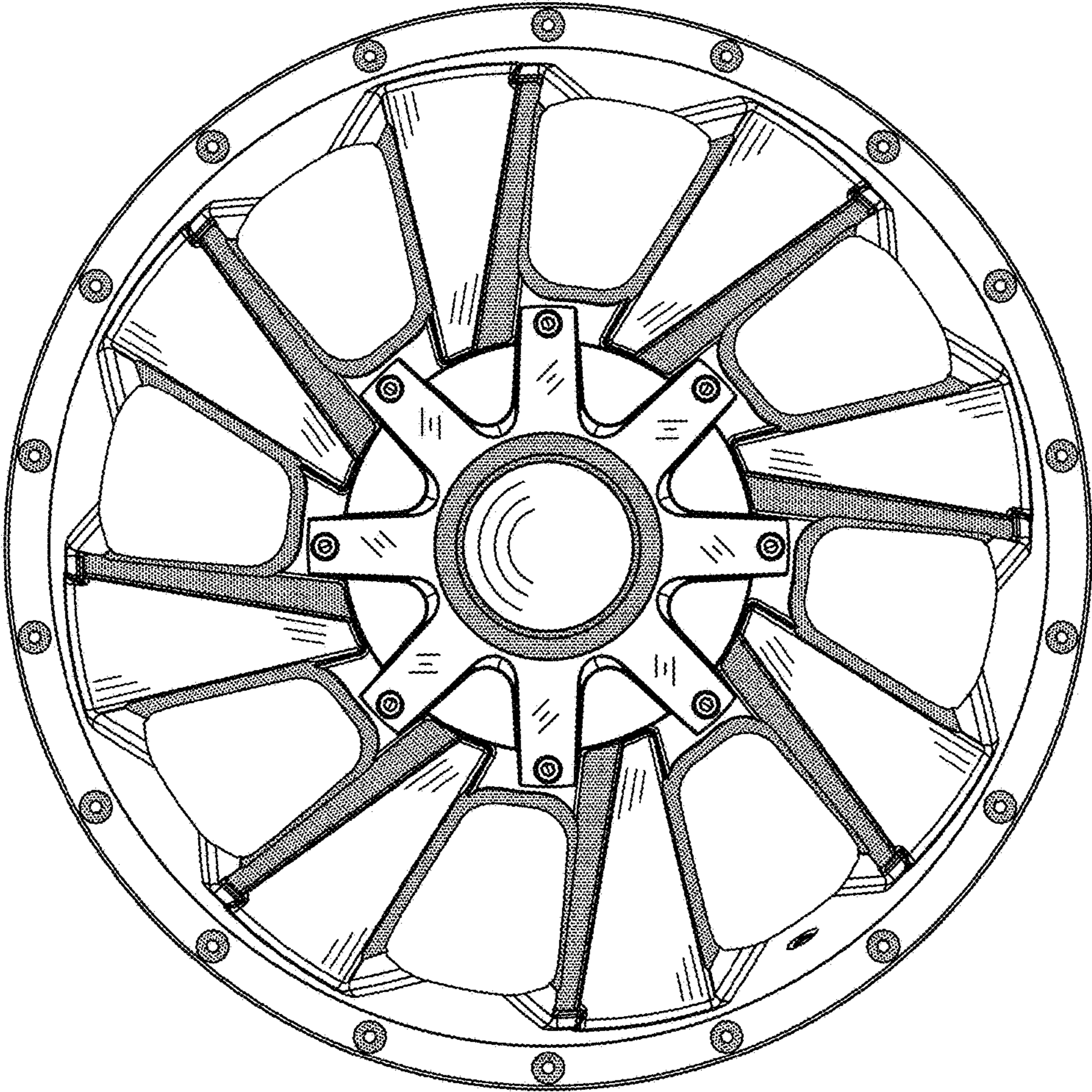


FIG. 2