



US00D791038S

(12) **United States Design Patent**
Piscitelli et al.

(10) **Patent No.:** **US D791,038 S**

(45) **Date of Patent:** **** Jul. 4, 2017**

(54) **AUTOMOBILE WHEEL**

(71) Applicants: **Chris Piscitelli**, West Bloomfield, MI (US); **Brian H Nielander**, Royal Oak, MI (US)

(72) Inventors: **Chris Piscitelli**, West Bloomfield, MI (US); **Brian H Nielander**, Royal Oak, MI (US)

(73) Assignee: **FCA US LLC**, Auburn Hills, MI (US)

(**) Term: **15 Years**

(21) Appl. No.: **29/565,416**

(22) Filed: **May 20, 2016**

(51) **LOC (10) Cl.** **12-16**

(52) **U.S. Cl.**
USPC **D12/209**

(58) **Field of Classification Search**
USPC D12/204–213
CPC B60B 7/00; B60B 7/02; B60B 7/04; B60B 7/01; B60B 7/06; B60B 3/02; B60B 3/04; B60B 3/06; B60B 3/10; B60B 1/00; B60B 1/08; B60B 1/10; B60B 1/12
See application file for complete search history.

(56) **References Cited**

U.S. PATENT DOCUMENTS

D491,873 S	*	6/2004	Markefka	D12/211
D499,059 S	*	11/2004	Cahyono	D12/209
D515,004 S	*	2/2006	Scheu	D12/211
D528,494 S	*	9/2006	Osborne	D12/209
D538,215 S	*	3/2007	Laengerer	D12/209

D541,204 S	*	4/2007	Huet	D12/211
D560,152 S	*	1/2008	Nordmann	D12/211
D579,396 S	*	10/2008	Osborne	D12/209
D586,281 S	*	2/2009	Pfeiffer	D12/209
D613,660 S	*	4/2010	Tant	D12/211
D614,110 S	*	4/2010	Tant	D12/211
D617,710 S	*	6/2010	Ectors	D12/209
D617,712 S	*	6/2010	Juergens	D12/209
D623,110 S	*	9/2010	Juergens	D12/209
D626,486 S	*	11/2010	Jung	D12/209
D643,793 S	*	8/2011	Juergens	D12/209
D644,154 S	*	8/2011	Antoniadis	D12/209
D667,355 S	*	9/2012	Gotschke	D12/209
D674,329 S	*	1/2013	Bildhaeuser	D12/209
D690,248 S	*	9/2013	Bildhaeuser	D12/209
D761,180 S	*	7/2016	Bucher	D12/209
D763,762 S	*	8/2016	Ghobrial	D12/209
D764,369 S	*	8/2016	Wheel	D12/209
D766,804 S	*	9/2016	Goodrich	D12/209

* cited by examiner

Primary Examiner — Stacia Cadmus

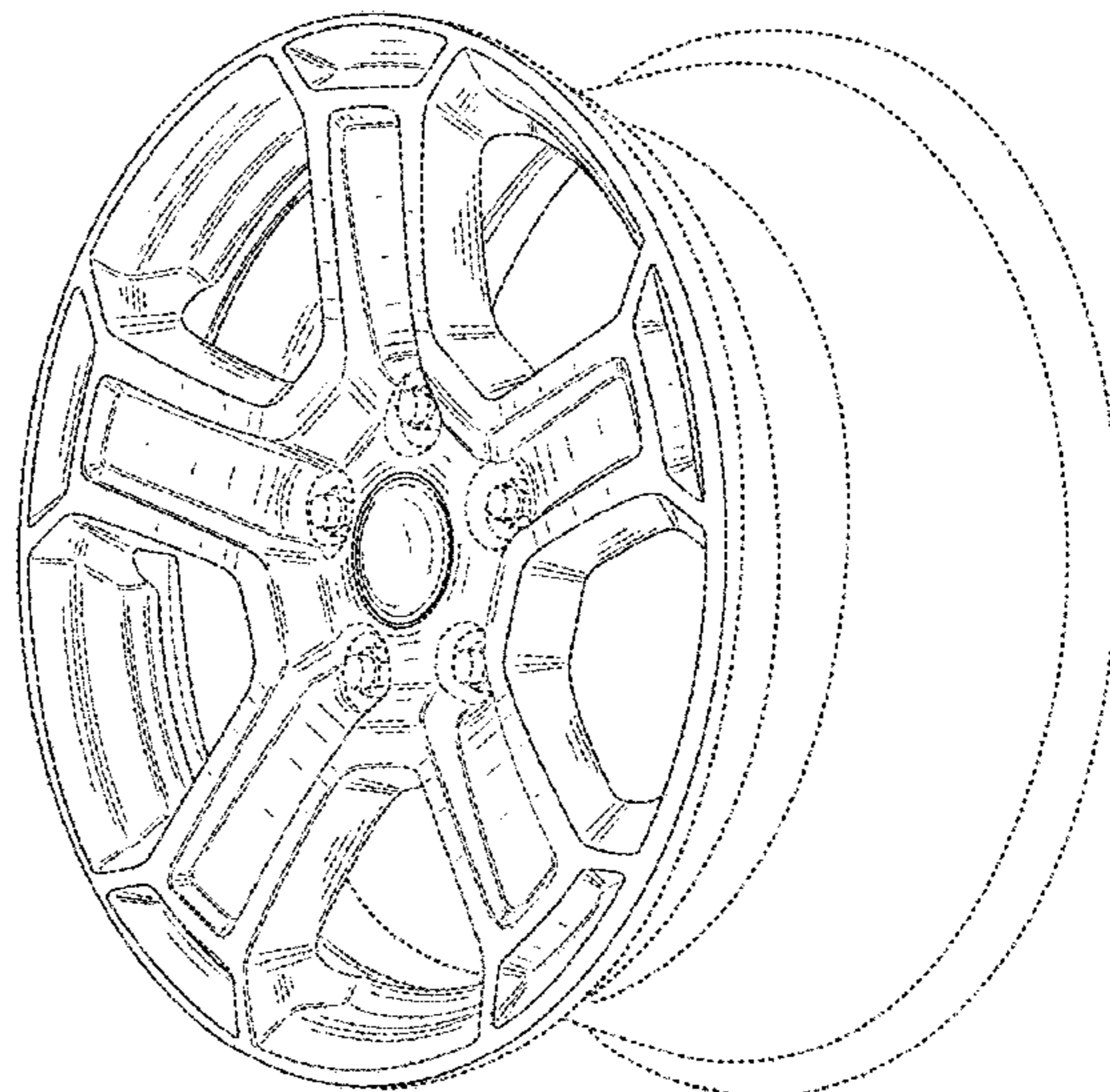
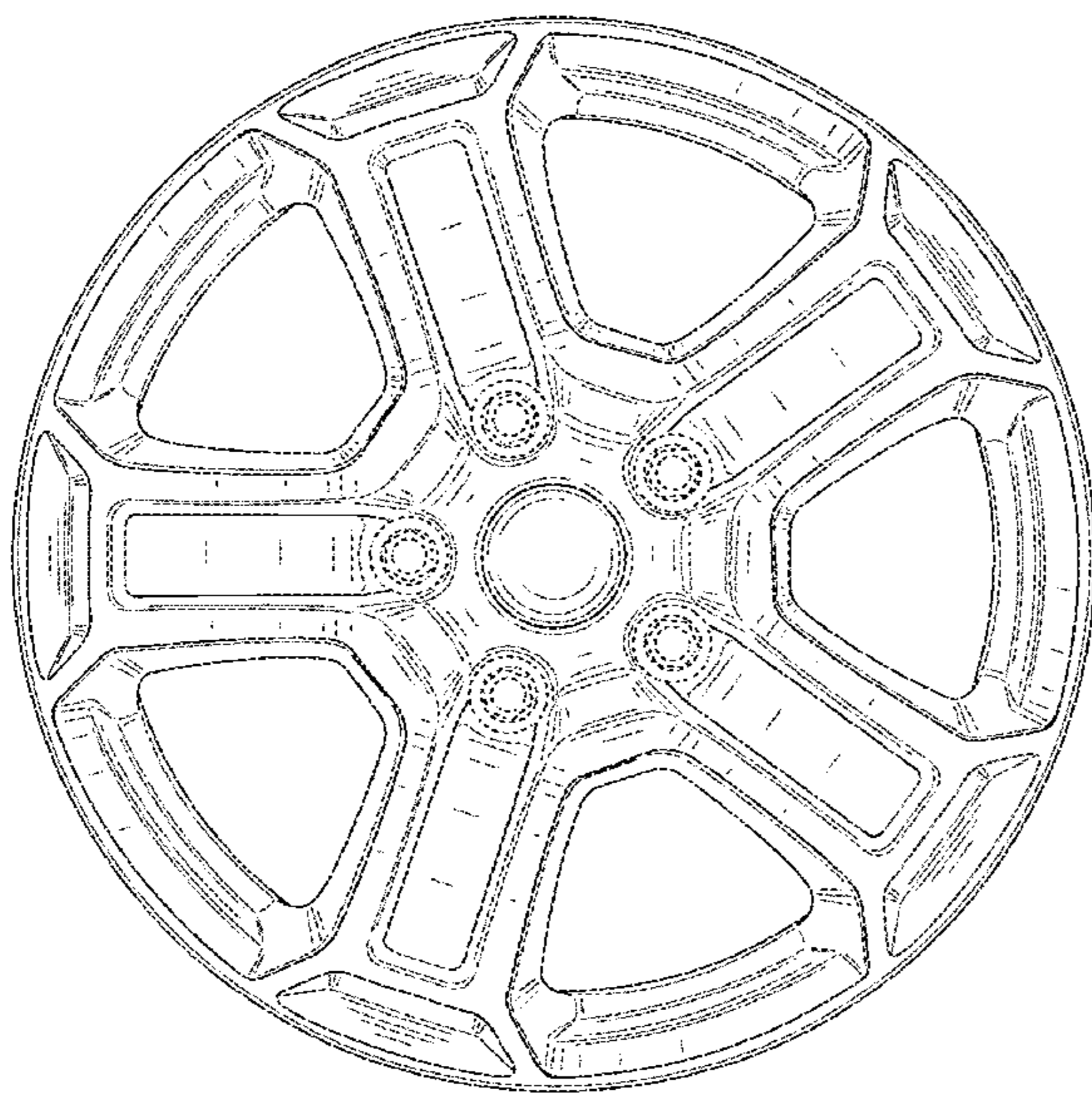
(57) **CLAIM**

The ornamental design for an automobile wheel, as shown and described.

DESCRIPTION

FIG. 1 is a front view of an automobile wheel showing our new design;
FIG. 2 is a right side perspective view thereof; and,
FIG. 3 is a left side perspective view.
It will be understood that the broken lines shown in the drawings illustrate portions of the automobile wheel that form no part of claimed design.

1 Claim, 3 Drawing Sheets



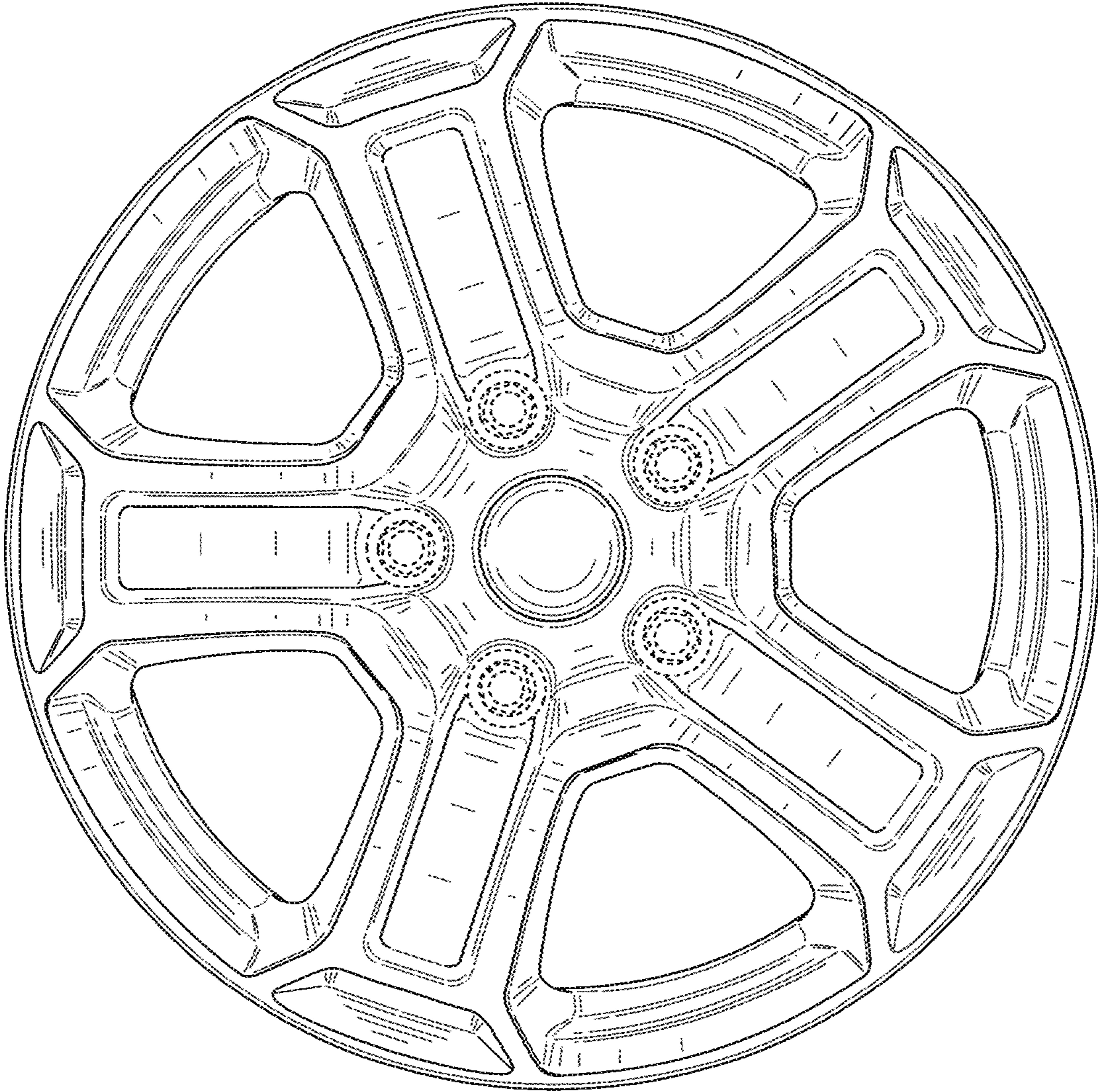


FIG. 1

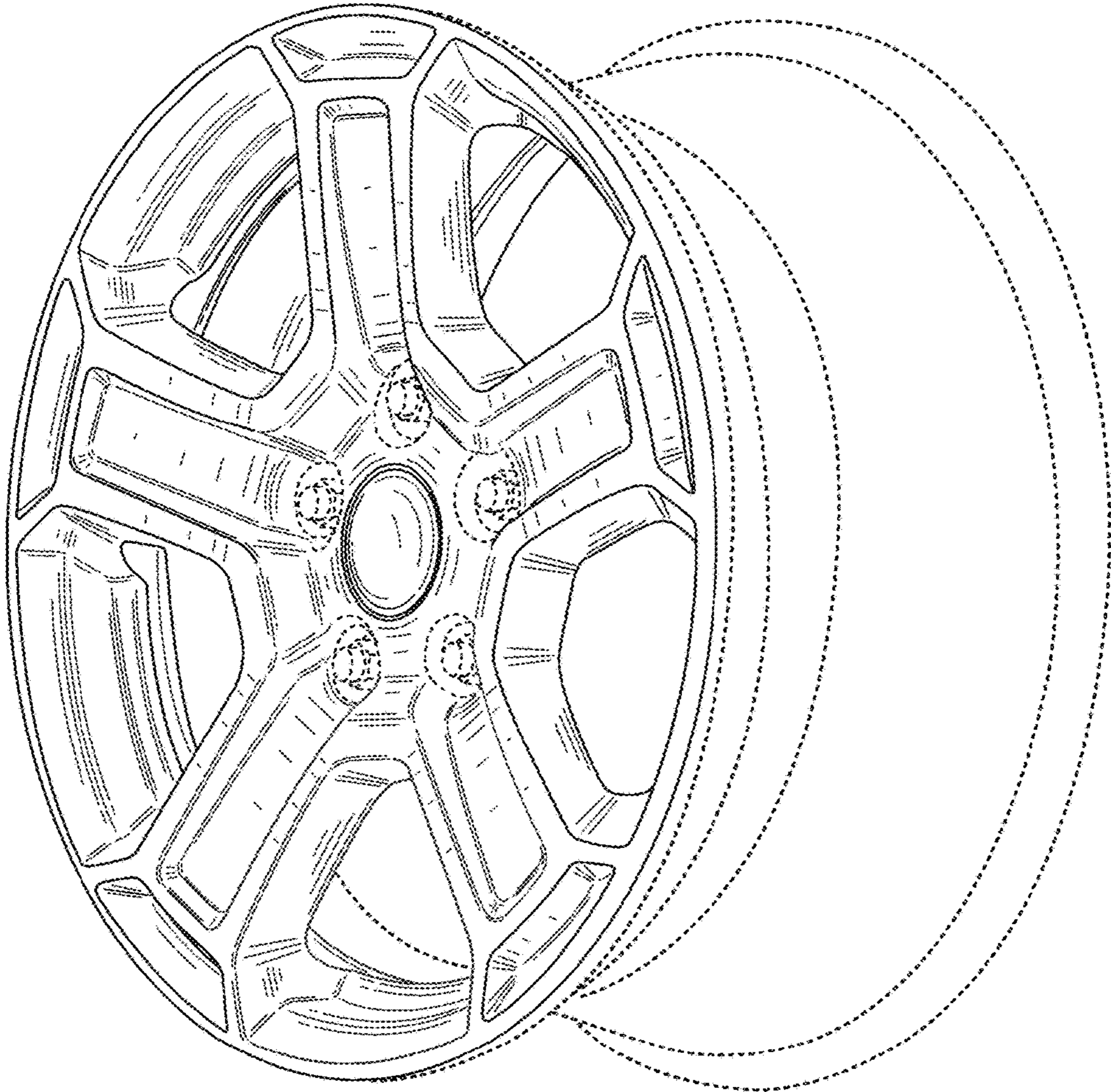


FIG. 2

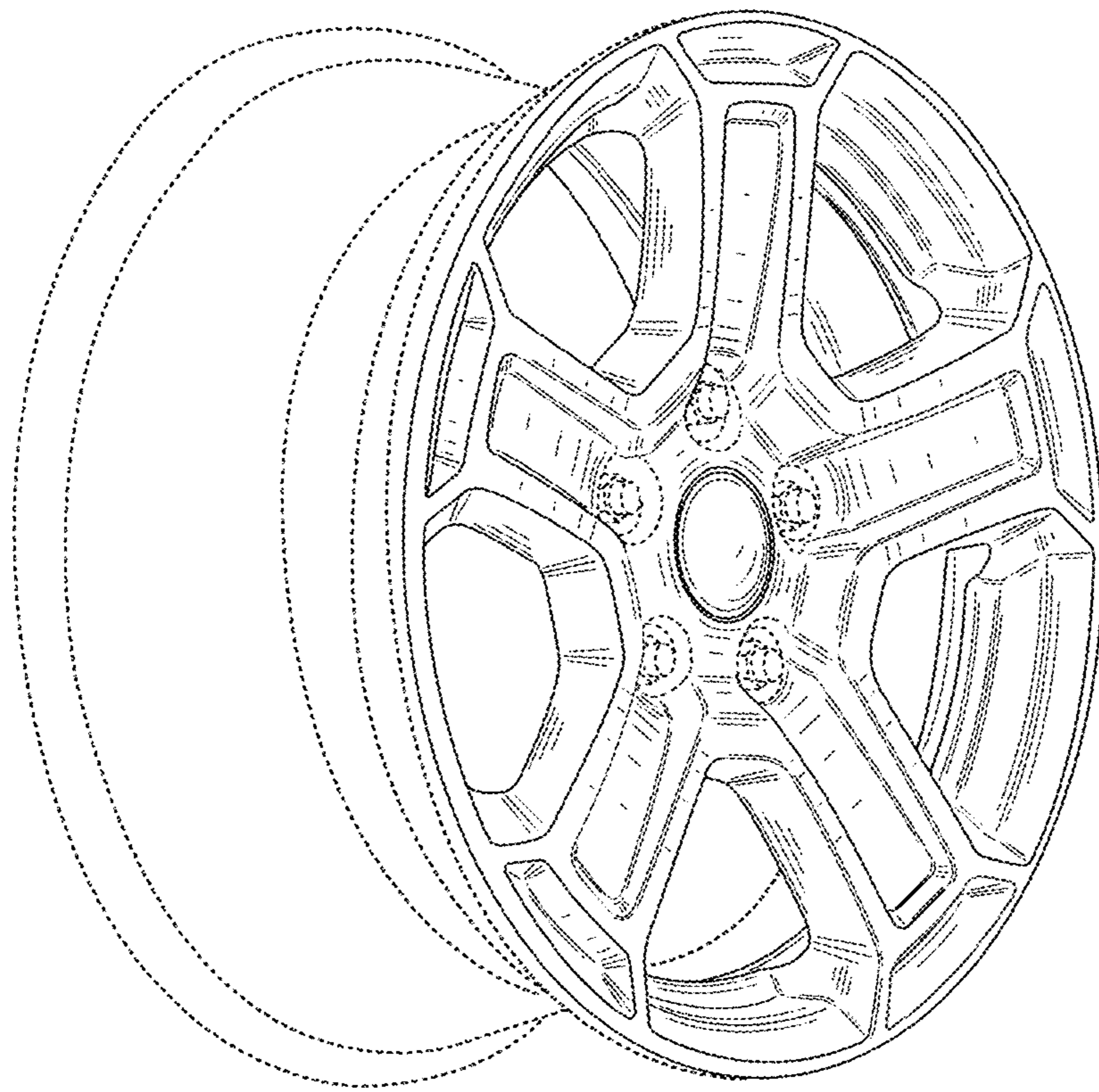


FIG. 3