



US00D791036S

(12) **United States Design Patent**
Owens et al.

(10) **Patent No.:** **US D791,036 S**

(45) **Date of Patent:** **** Jul. 4, 2017**

(54) **AUTOMOBILE WHEEL**

(71) Applicants: **John S Owens**, Pleasant Ridge, MI (US); **Brian H Nielander**, Royal Oak, MI (US)

(72) Inventors: **John S Owens**, Pleasant Ridge, MI (US); **Brian H Nielander**, Royal Oak, MI (US)

(**) Term: **15 Years**

(21) Appl. No.: **29/565,400**

(22) Filed: **May 20, 2016**

(51) **LOC (10) Cl.** **12-16**

(52) **U.S. Cl.**
USPC **D12/209**

(58) **Field of Classification Search**
USPC D12/204–213
CPC B60B 7/00; B60B 7/02; B60B 7/04; B60B 7/01; B60B 7/06; B60B 3/02; B60B 3/04; B60B 3/06; B60B 3/10; B60B 1/00; B60B 1/08; B60B 1/10; B60B 1/12
See application file for complete search history.

(56) **References Cited**

U.S. PATENT DOCUMENTS

D419,942 S *	2/2000	Lampkin	D12/209
D444,759 S *	7/2001	Hartl	D12/211
D460,396 S *	7/2002	Kember	D12/209
D475,336 S *	6/2003	Larson	D12/209
D491,124 S *	6/2004	Rice	D12/209
D491,873 S *	6/2004	Markefka	D12/211

D512,007 S *	11/2005	Sze	D12/209
D530,259 S *	10/2006	Sands	D12/211
D531,102 S *	10/2006	Looho	D12/209
D532,736 S *	11/2006	Ettensberger	D12/209
D560,585 S *	1/2008	Blasi	D12/209
D593,018 S *	5/2009	Juergens	D12/209
D617,710 S *	6/2010	Ectors	D12/209
D617,712 S *	6/2010	Juergens	D12/209
D643,356 S *	8/2011	Gotschke	D12/209
D644,587 S *	9/2011	Gotschke	D12/209
D680,483 S *	4/2013	Zhao	D12/209
D687,756 S *	8/2013	Campbell	D12/209
D736,138 S *	8/2015	Hale	D12/213
D754,582 S *	4/2016	Kobayashi	D12/209
D757,624 S *	5/2016	Hammoud	D12/209
D761,178 S *	7/2016	Johnson	D12/209
D763,764 S *	8/2016	Dunford	D12/209

* cited by examiner

Primary Examiner — Stacia Cadmus

(74) *Attorney, Agent, or Firm* — Ralph E Smith

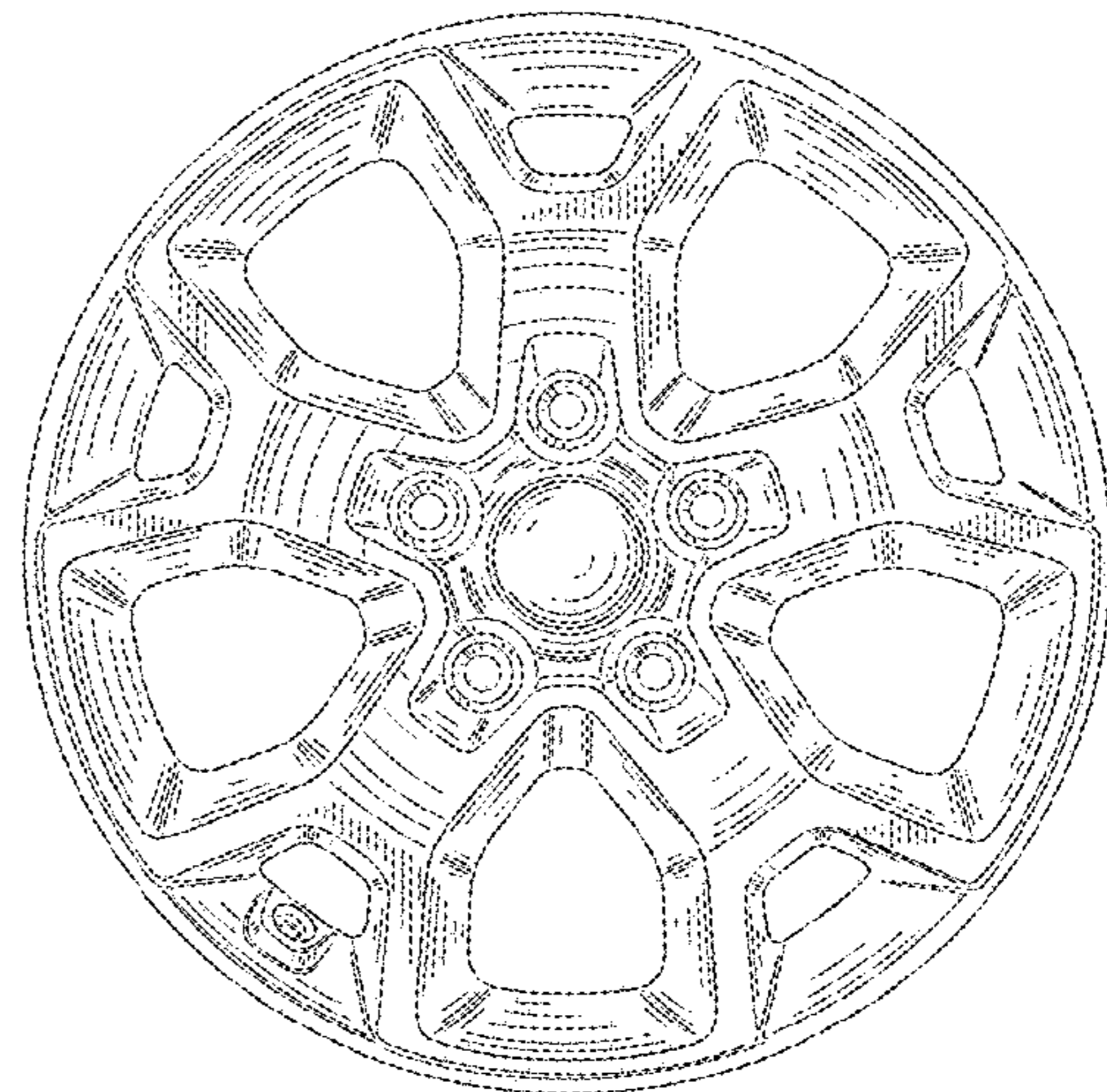
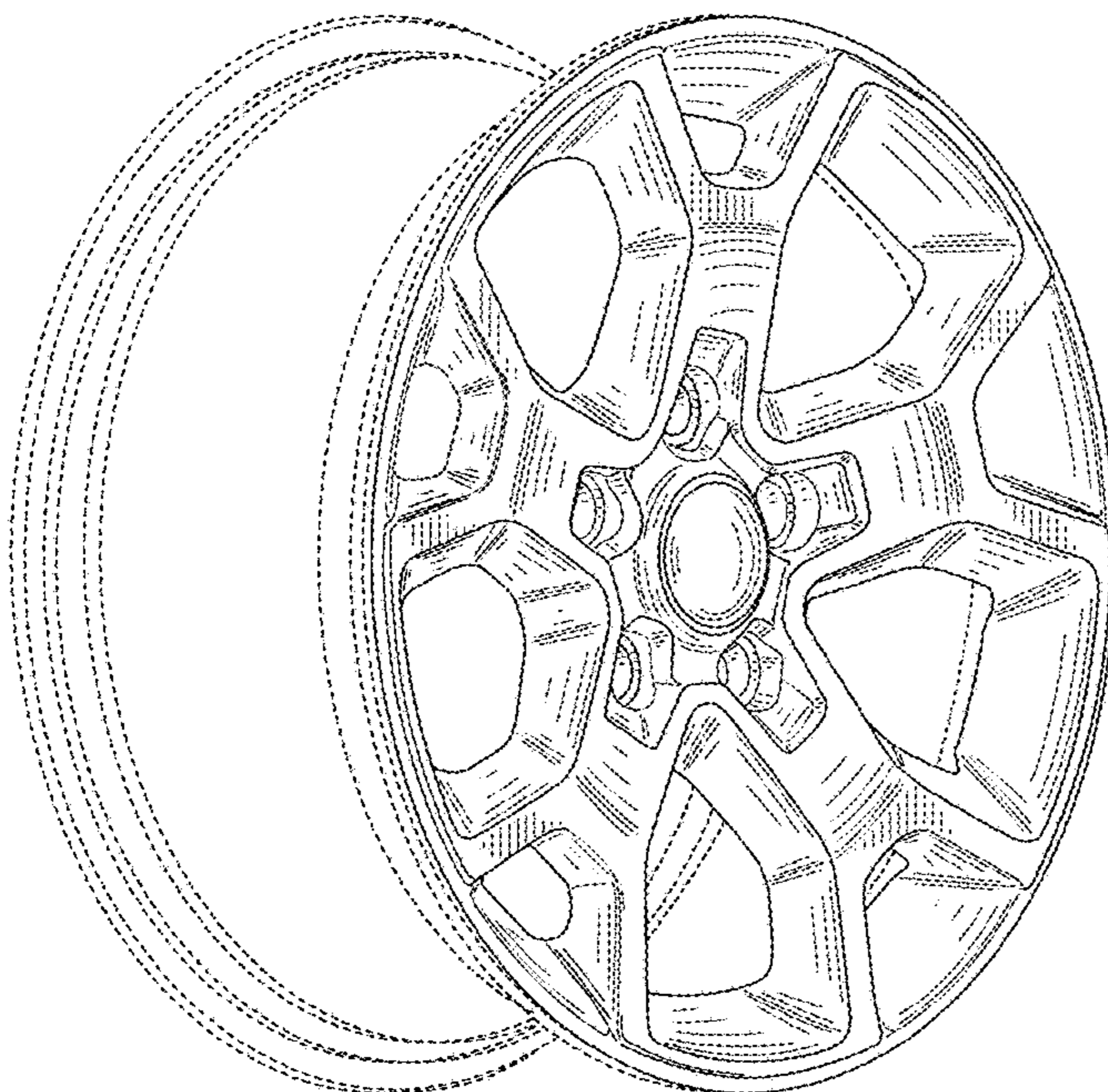
(57) **CLAIM**

The ornamental design for an automobile wheel, as shown and described.

DESCRIPTION

FIG. 1 is a right side perspective view of an automobile wheel showing our new design; FIG. 2 is a left side perspective view thereof; and, FIG. 3 is a front view. It will be understood that the broken lines shown in the drawings illustrate portions of the automobile wheel that form no part of claimed design.

1 Claim, 3 Drawing Sheets



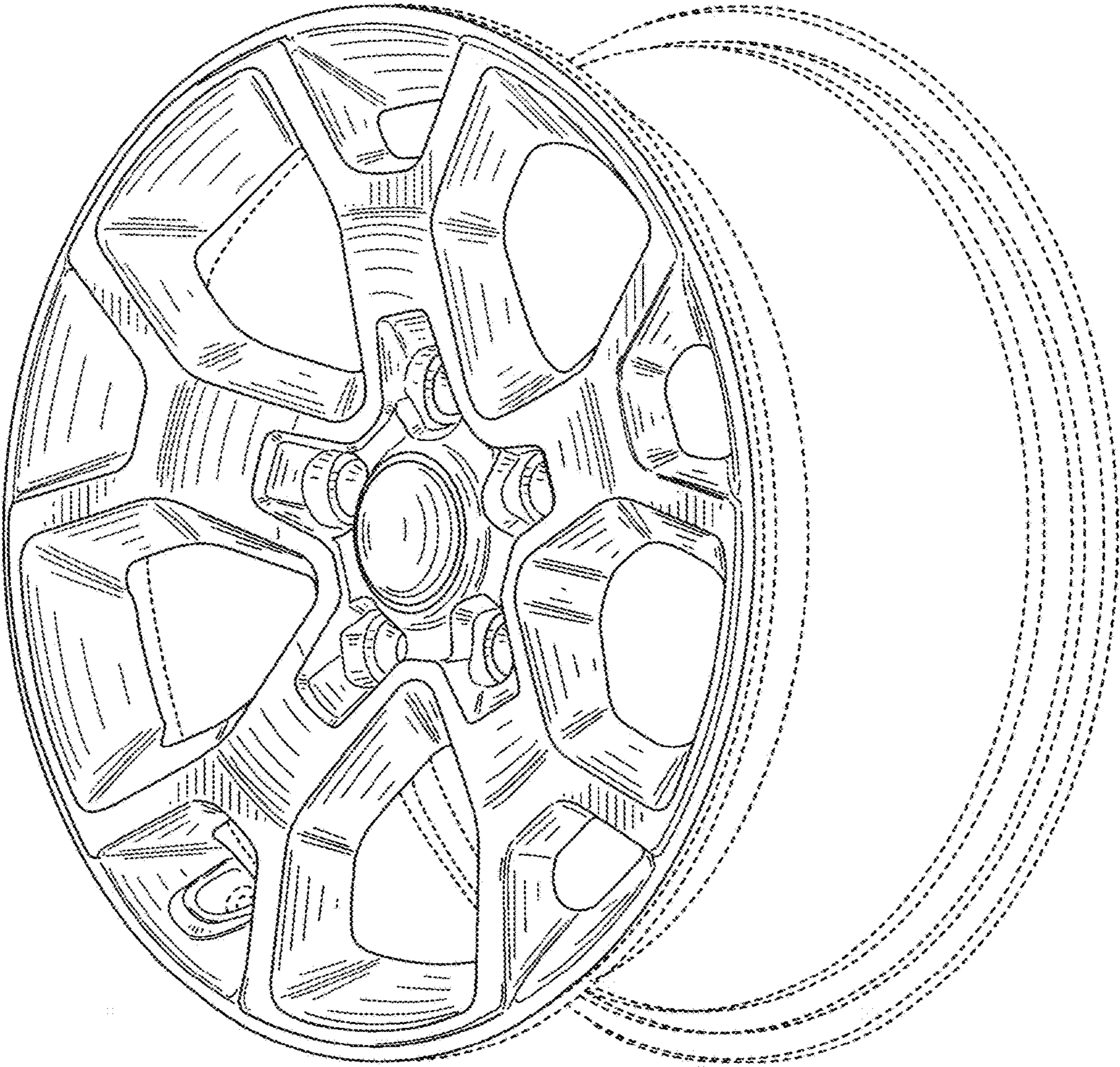


FIG. 1

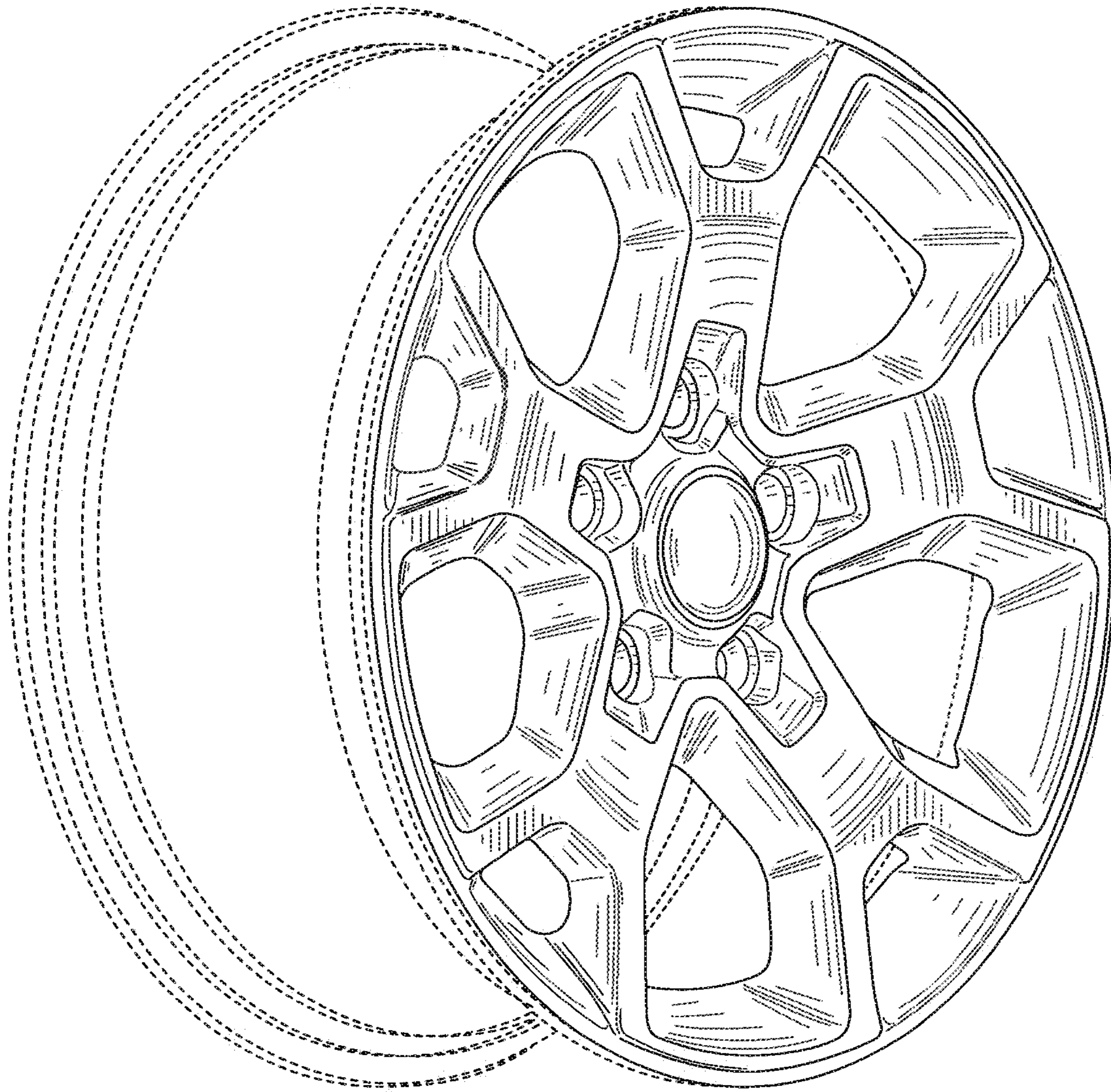


FIG. 2

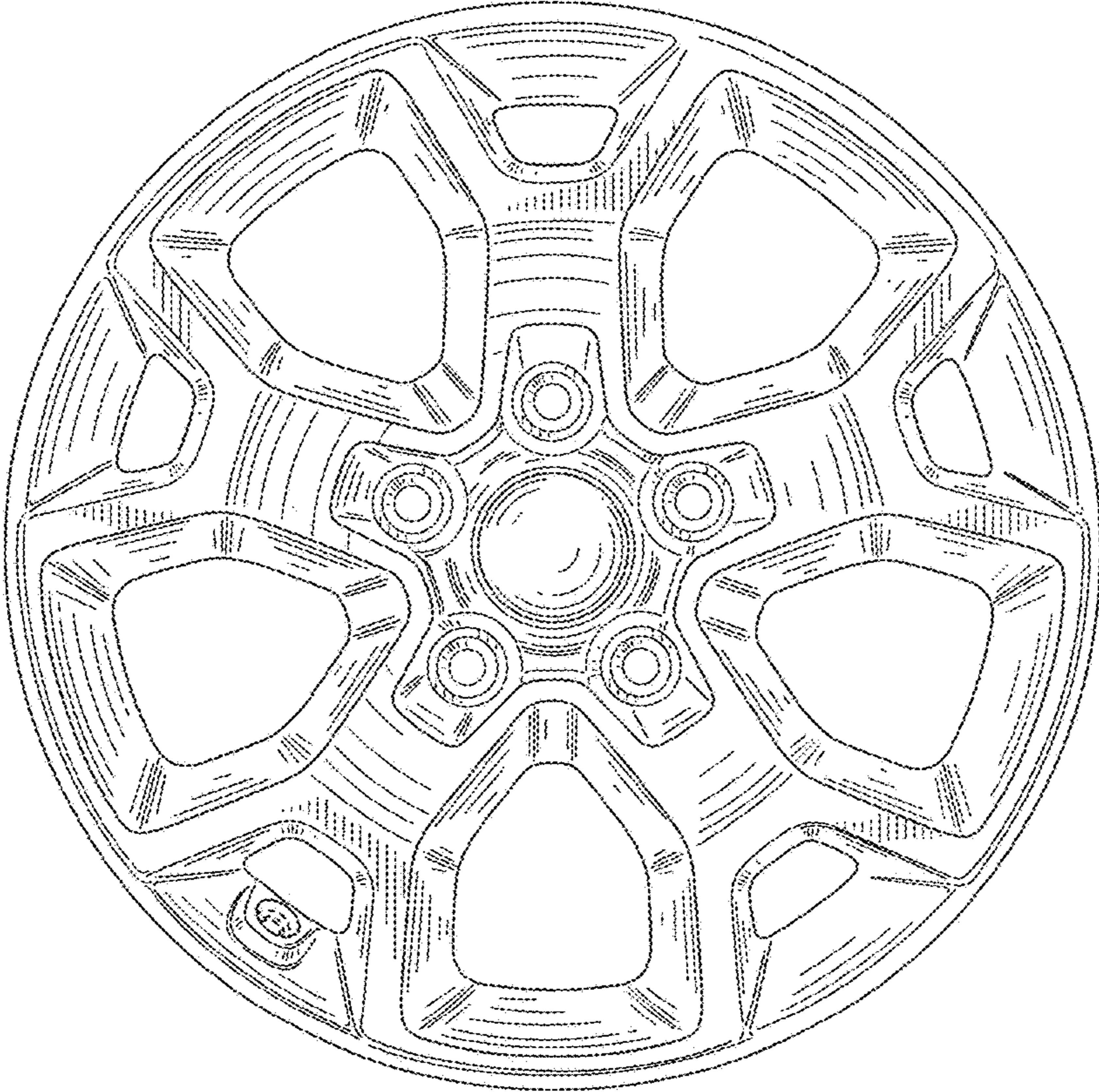


FIG. 3