

US00D791035S

(12) **United States Design Patent**  
**Palana**

(10) **Patent No.:** **US D791,035 S**

(45) **Date of Patent:** **\*\* Jul. 4, 2017**

(54) **AUTOMOTIVE WHEEL**

(71) Applicant: **Design Infini, Inc.**

(72) Inventor: **Morris Calzado Palana, Anaheim, CA (US)**

(\*\*) Term: **15 Years**

(21) Appl. No.: **29/544,099**

(22) Filed: **Oct. 30, 2015**

(51) **LOC (10) Cl.** ..... **12-16**

(52) **U.S. Cl.**  
USPC ..... **D12/209**

(58) **Field of Classification Search**  
USPC ..... D12/204–213  
CPC .... B60B 7/00; B60B 7/01; B60B 7/02; B60B 7/04; B60B 7/06; B60B 3/02; B60B 3/04; B60B 3/06; B60B 3/10; B60B 1/00; B60B 1/08; B60B 1/10; B60B 1/12  
See application file for complete search history.

(56) **References Cited**

**U.S. PATENT DOCUMENTS**

|              |         |            |       |         |
|--------------|---------|------------|-------|---------|
| D449,267 S * | 10/2001 | Fitzgerald | ..... | D12/211 |
| D481,664 S * | 11/2003 | Vian       | ..... | D12/211 |
| D495,985 S * | 9/2004  | Lai        | ..... | D12/209 |
| D582,329 S * | 12/2008 | Hieke      | ..... | D12/209 |
| D585,803 S * | 2/2009  | Hieke      | ..... | D12/209 |
| D585,804 S * | 2/2009  | Pfeiffer   | ..... | D12/209 |

|              |         |           |       |         |
|--------------|---------|-----------|-------|---------|
| D617,721 S * | 6/2010  | Zhao      | ..... | D12/211 |
| D619,073 S * | 7/2010  | Groom     | ..... | D12/211 |
| D659,071 S * | 5/2012  | Hale, Jr. | ..... | D12/211 |
| D683,688 S * | 6/2013  | Alfonso   | ..... | D12/211 |
| D684,518 S * | 6/2013  | Zhao      | ..... | D12/211 |
| D690,643 S * | 10/2013 | Kern      | ..... | D12/211 |
| D703,602 S * | 4/2014  | Kern      | ..... | D12/211 |
| D722,938 S * | 2/2015  | Chung     | ..... | D12/211 |
| D741,776 S * | 10/2015 | Zhao      | ..... | D12/211 |
| D743,316 S * | 11/2015 | Zhao      | ..... | D12/211 |
| D756,285 S * | 5/2016  | Zhao      | ..... | D12/211 |
| D758,277 S * | 6/2016  | Alfonso   | ..... | D12/211 |
| D763,767 S * | 8/2016  | Alfonso   | ..... | D12/211 |

\* cited by examiner

*Primary Examiner* — Sandra Snapp  
*Assistant Examiner* — Katherine Glennon

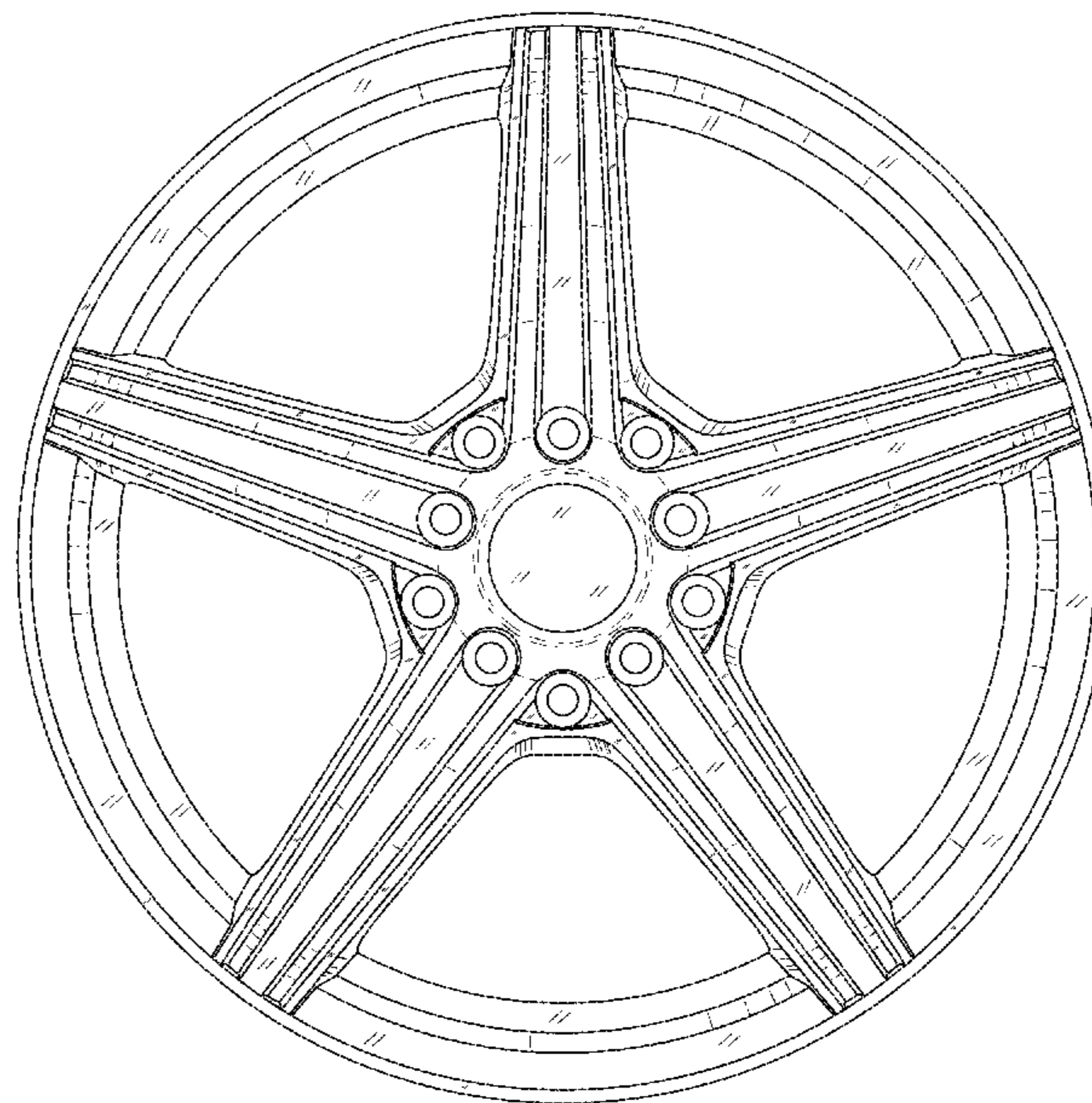
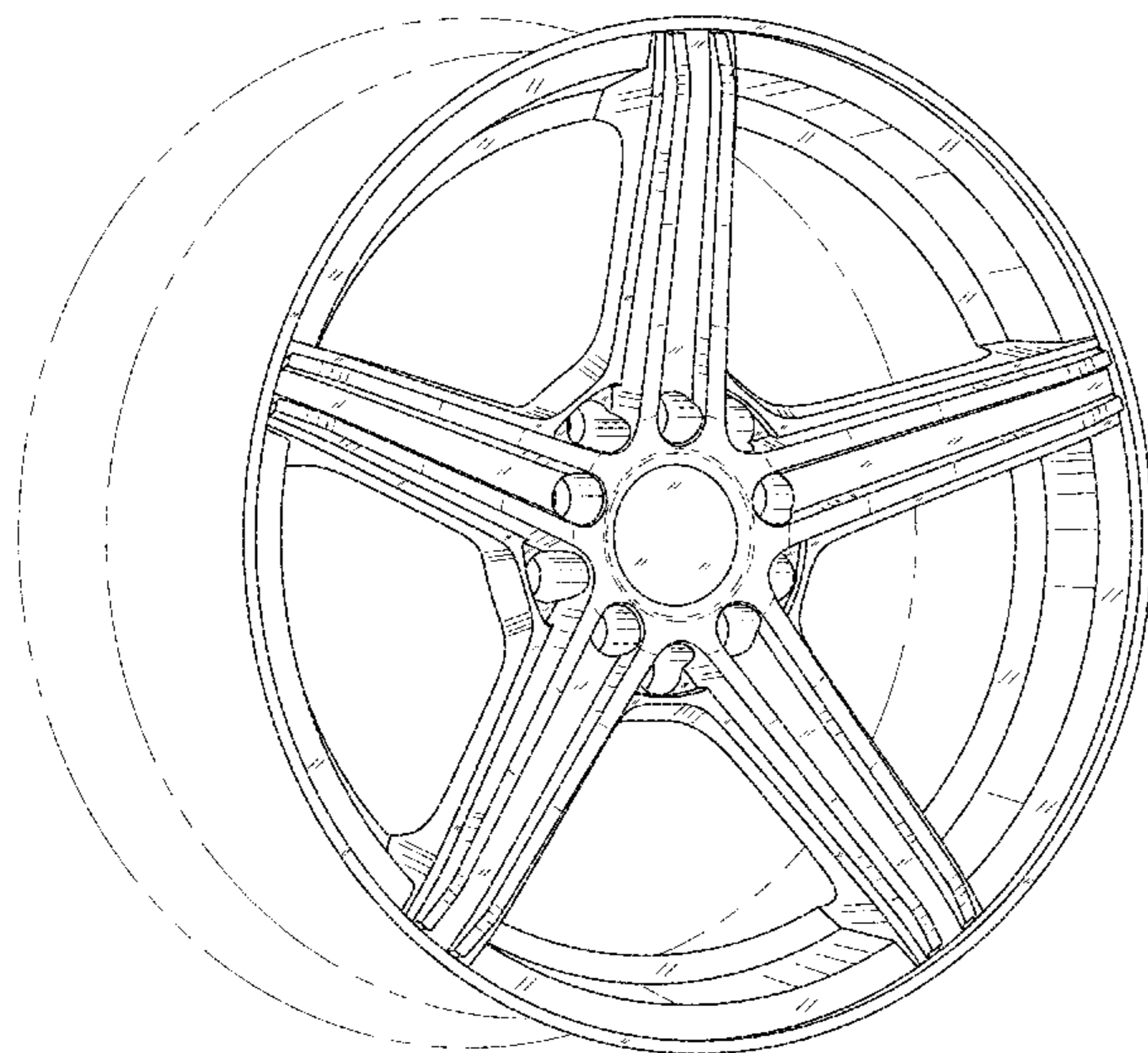
(57) **CLAIM**

The ornamental design for an automotive wheel, as shown and described.

**DESCRIPTION**

FIG. 1 is a perspective view of an automotive wheel, showing my new design; and, FIG. 2 is a front view thereof. The broken line showing of the rear portion of the wheel is included for the purpose of illustrating environment and forms no part of the claimed design.

**1 Claim, 2 Drawing Sheets**



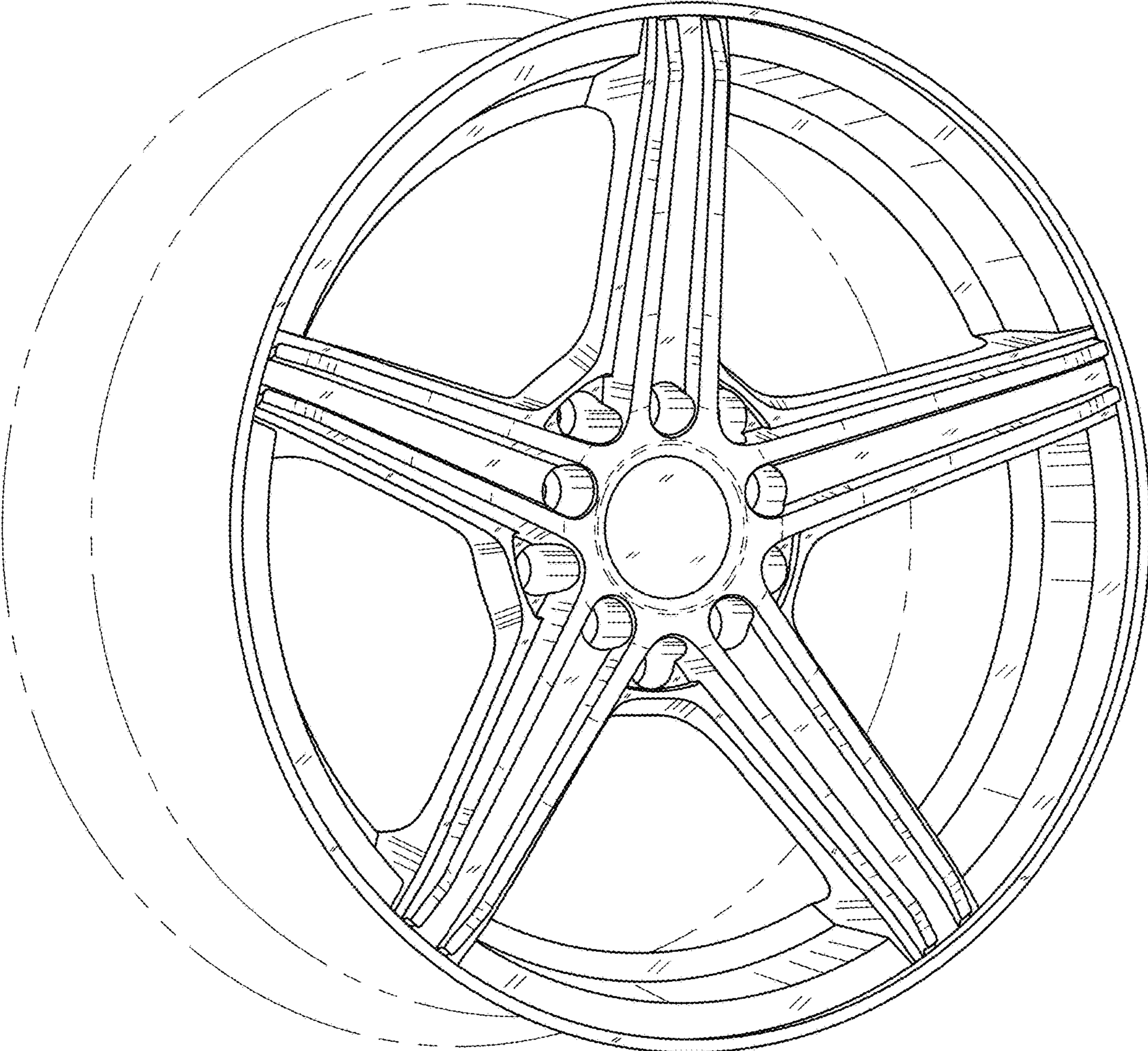


FIGURE 1

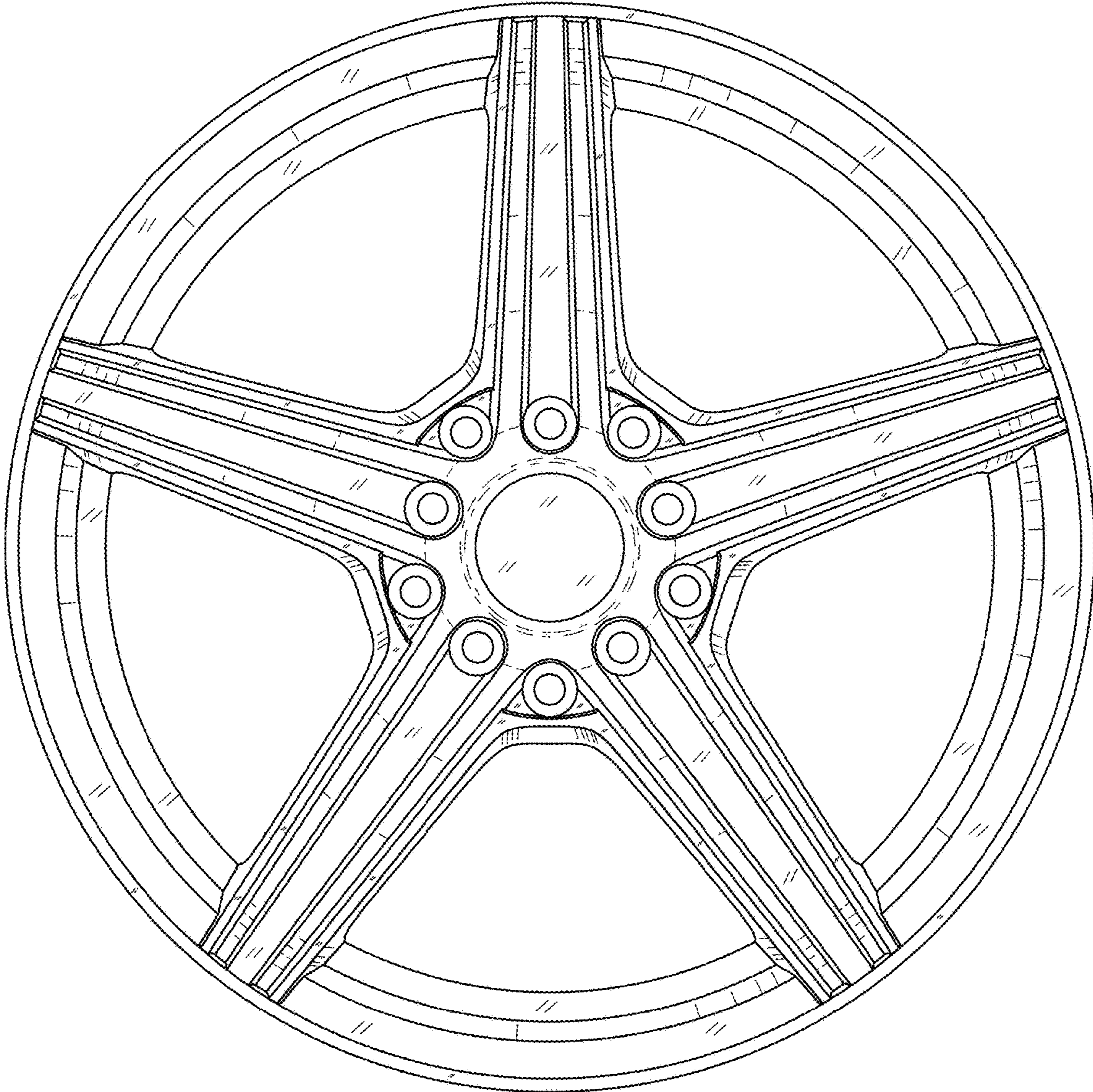


FIGURE 2