



US00D791033S

(12) **United States Design Patent**
Peat

(10) **Patent No.:** **US D791,033 S**

(45) **Date of Patent:** **** Jul. 4, 2017**

(54) **WHEEL**

(71) Applicant: **Jaguar Land Rover Limited**, Whitley,
Coventry (GB)

(72) Inventor: **Anthony Peat**, Coventry (GB)

(73) Assignee: **Jaguar Land Rover Limited**, Whitley,
Coventry (GB)

(**) Term: **15 Years**

(21) Appl. No.: **29/538,433**

(22) Filed: **Sep. 3, 2015**

(30) **Foreign Application Priority Data**

Mar. 16, 2015 (EM) 002656371

(51) **LOC (10) Cl.** **12-16**

(52) **U.S. Cl.**
USPC **D12/209**

(58) **Field of Classification Search**
USPC D12/204–213
CPC B60B 7/00; B60B 7/02; B60B 7/04; B60B
7/01; B60B 7/06; B60B 3/02; B60B 3/04;
B60B 3/06; B60B 3/10; B60B 1/00;
B60B 1/08; B60B 1/10; B60B 1/12
See application file for complete search history.

(56) **References Cited**

U.S. PATENT DOCUMENTS

D384,630 S	*	10/1997	Bhambra	D12/209
D409,546 S	*	5/1999	Stark	D12/209
D428,377 S	*	7/2000	Kubosaki	D12/209
D445,749 S	*	7/2001	Kuninari	D12/209
D451,062 S	*	11/2001	Yoshida	D12/209
D451,065 S	*	11/2001	Braun	D12/211

D455,693 S	*	4/2002	Sato	D12/209
D499,058 S	*	11/2004	Iwauchi	D12/209
D504,096 S	*	4/2005	Nakagawa	D12/209
D514,494 S	*	2/2006	Scheu	D12/209
D538,731 S	*	3/2007	Iwauchi	D12/211
D619,524 S	*	7/2010	Gabath	D12/209
D626,905 S	*	11/2010	Camacho	D12/209
D654,842 S	*	2/2012	Blasi	D12/209
D655,660 S	*	3/2012	Stucki	D12/209
D671,877 S	*	12/2012	Roura	D12/209
D673,097 S	*	12/2012	Lemke	D12/209
D682,176 S	*	5/2013	Badstuebner	D12/209
D684,516 S	*	6/2013	Bennion	D12/209
D686,133 S	*	7/2013	Juergens	D12/209
D734,235 S	*	7/2015	Juergens	D12/209
D740,191 S	*	10/2015	Webber	D12/209
D740,197 S	*	10/2015	Valencia Pollex	D12/209
D751,016 S	*	3/2016	Valencia Pollex	D12/209
D752,499 S	*	3/2016	Sze	D12/211
D755,694 S	*	5/2016	Valencia Pollex	D12/209
D763,159 S	*	8/2016	Valencia Pollex	D12/209

* cited by examiner

Primary Examiner — Stacia Cadmus

(74) *Attorney, Agent, or Firm* — Wood Herron & Evans
LLP

(57) **CLAIM**

The ornamental design for a wheel, as shown and described.

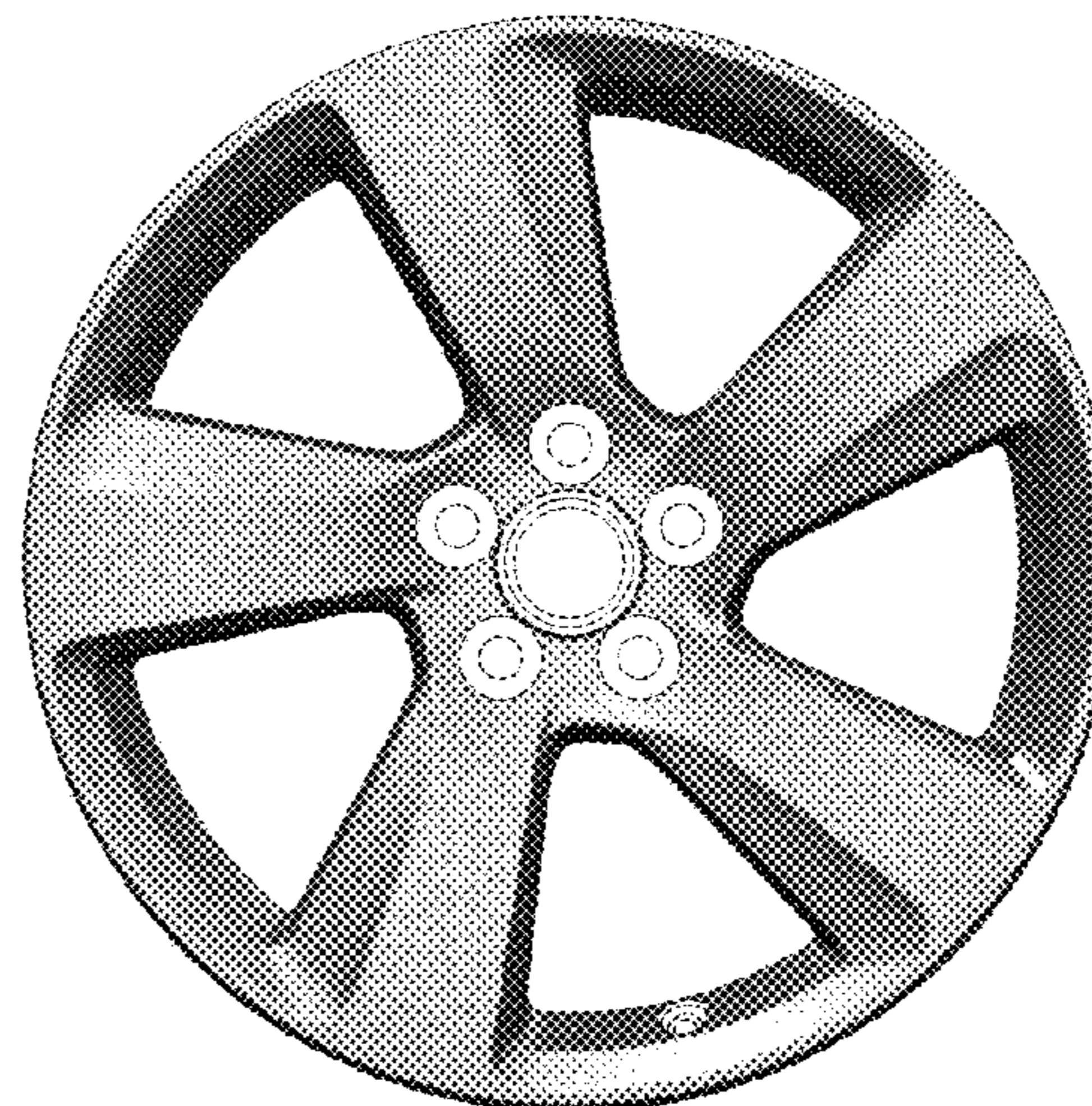
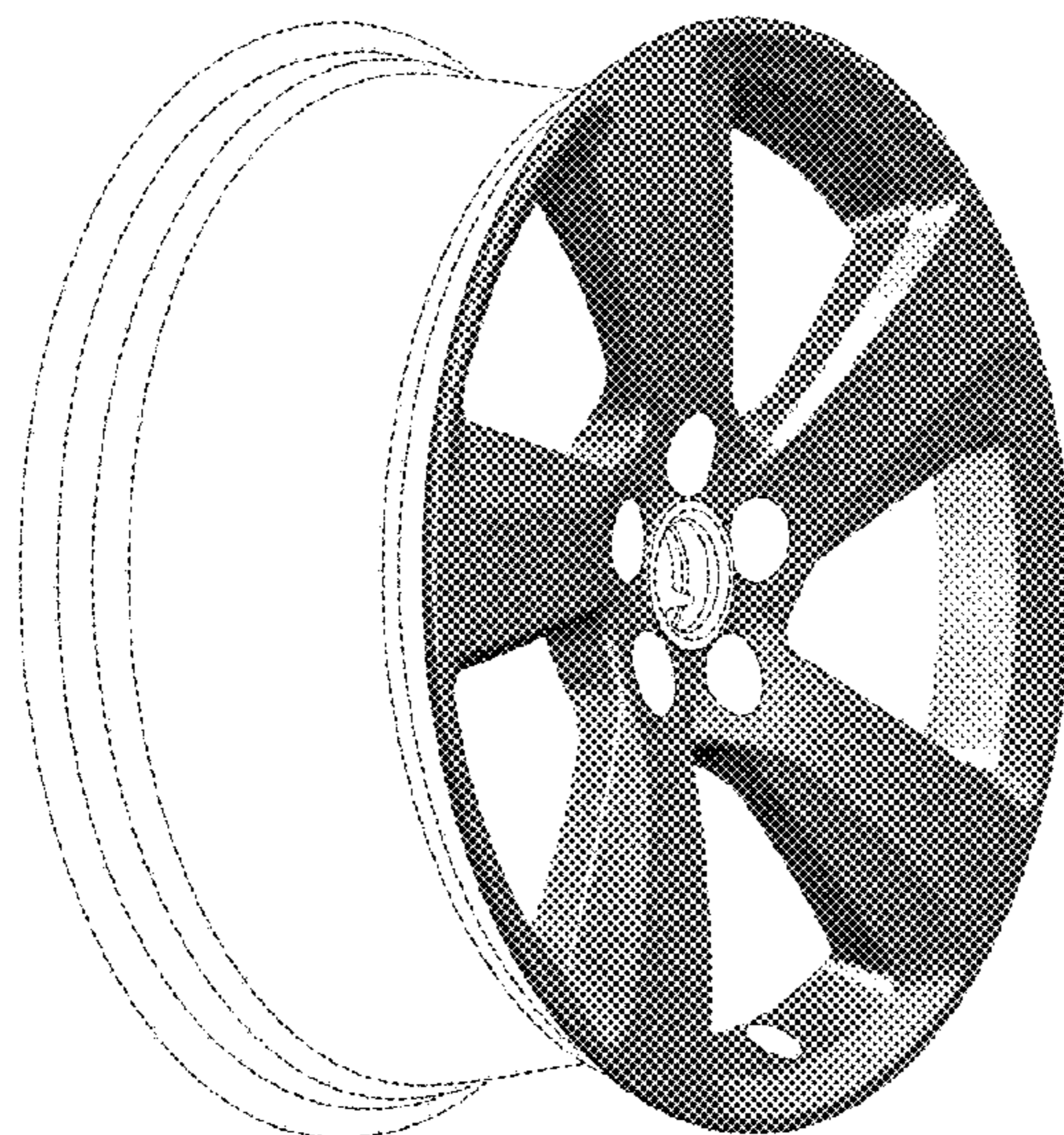
DESCRIPTION

FIG. 1 is a front left perspective view of a wheel for a vehicle according to the present invention.

FIG. 2 is a front view of the wheel shown in FIG. 1; and, FIG. 3 is a left side view thereof.

The broken line showing of the rear of the rim, the valve stem hole, the bolt holes and the center hole in the central hub area is included for the purpose of illustrating environment and forms no part of the claimed design.

1 Claim, 3 Drawing Sheets



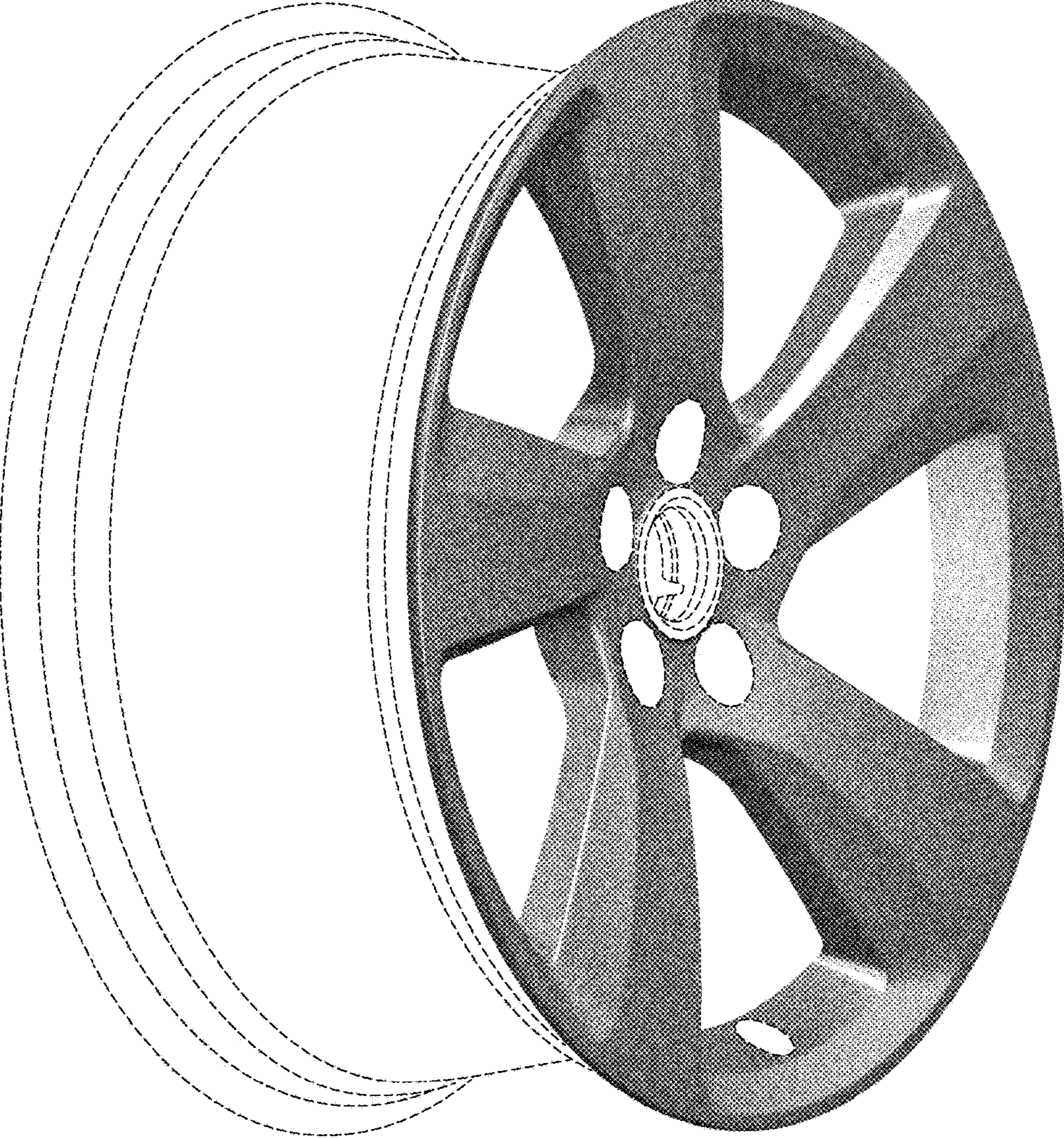


FIG. 1

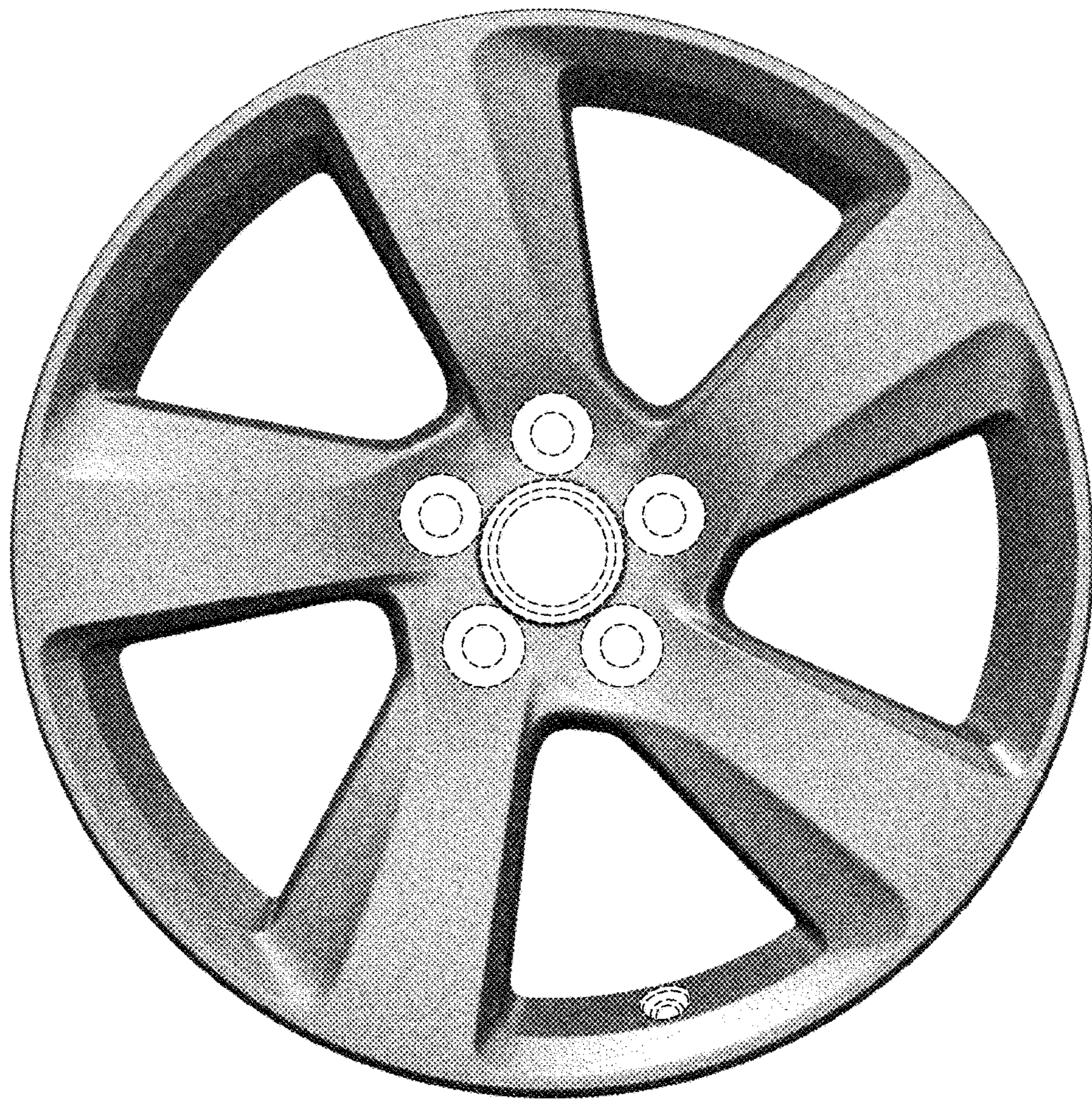


FIG. 2

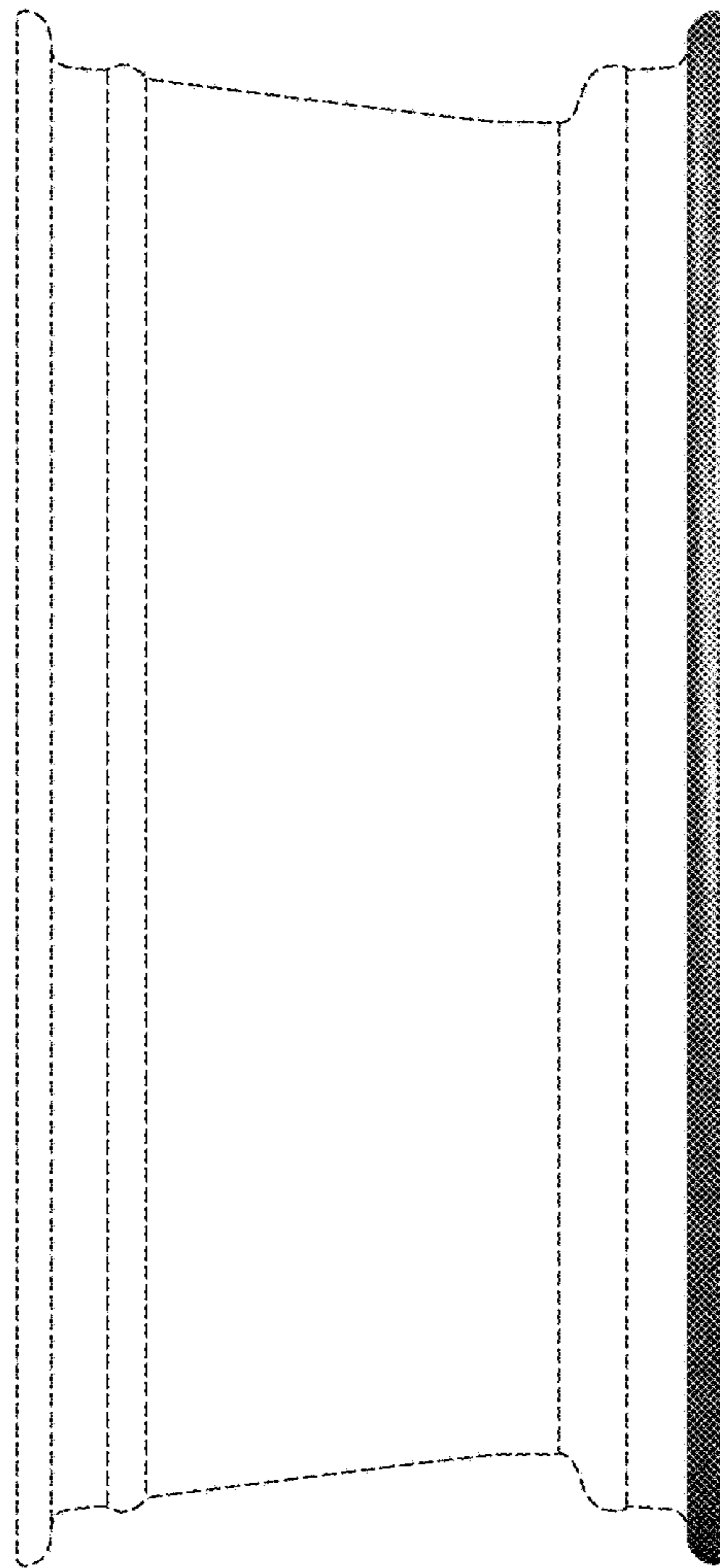


FIG. 3