



US00D791027S

(12) **United States Design Patent**  
**Hodges**

(10) **Patent No.:** **US D791,027 S**

(45) **Date of Patent:** **\*\* Jul. 4, 2017**

(54) **CONTROL PANEL**

(71) Applicant: **Frank J. Hodges**, Corona, CA (US)

(72) Inventor: **Frank J. Hodges**, Corona, CA (US)

(\*\*) Term: **15 Years**

(21) Appl. No.: **29/566,016**

(22) Filed: **May 26, 2016**

(51) **LOC (10) Cl.** ..... **12-16**

(52) **U.S. Cl.**  
USPC ..... **D12/192**

(58) **Field of Classification Search**  
USPC ..... D12/192, 415, 110, 114; D15/17, 28;  
D10/46, 98, 102-103, 122-127

CPC ..... G08G 1/096883; G01C 21/16; G01C  
21/3688; G01C 21/30

See application file for complete search history.

(56) **References Cited**

**U.S. PATENT DOCUMENTS**

D762,152 S \* 7/2016 Inagaki ..... D12/192  
D763,154 S \* 8/2016 Chang ..... D12/192

D763,155 S \* 8/2016 Sahs ..... D12/192  
D770,348 S \* 11/2016 Shimizu ..... D12/192  
D770,953 S \* 11/2016 Tanaka ..... D12/192  
D771,541 S \* 11/2016 Shouno ..... D12/192  
D772,128 S \* 11/2016 Platt ..... D12/192  
D776,029 S \* 1/2017 Callum ..... D12/192  
D778,796 S \* 2/2017 Gommier ..... D12/192  
D778,797 S \* 2/2017 Ito ..... D12/192  
D780,649 S \* 3/2017 Tanaka ..... D12/192

\* cited by examiner

*Primary Examiner* — Katrina A Betton

(74) *Attorney, Agent, or Firm* — Eric B. Alspaugh

(57) **CLAIM**

The ornamental design for a control panel, as shown.

**DESCRIPTION**

FIG. 1 is a front view of a control panel showing my new design;

FIG. 2 is a left side view thereof;

FIG. 3 is a right side view thereof;

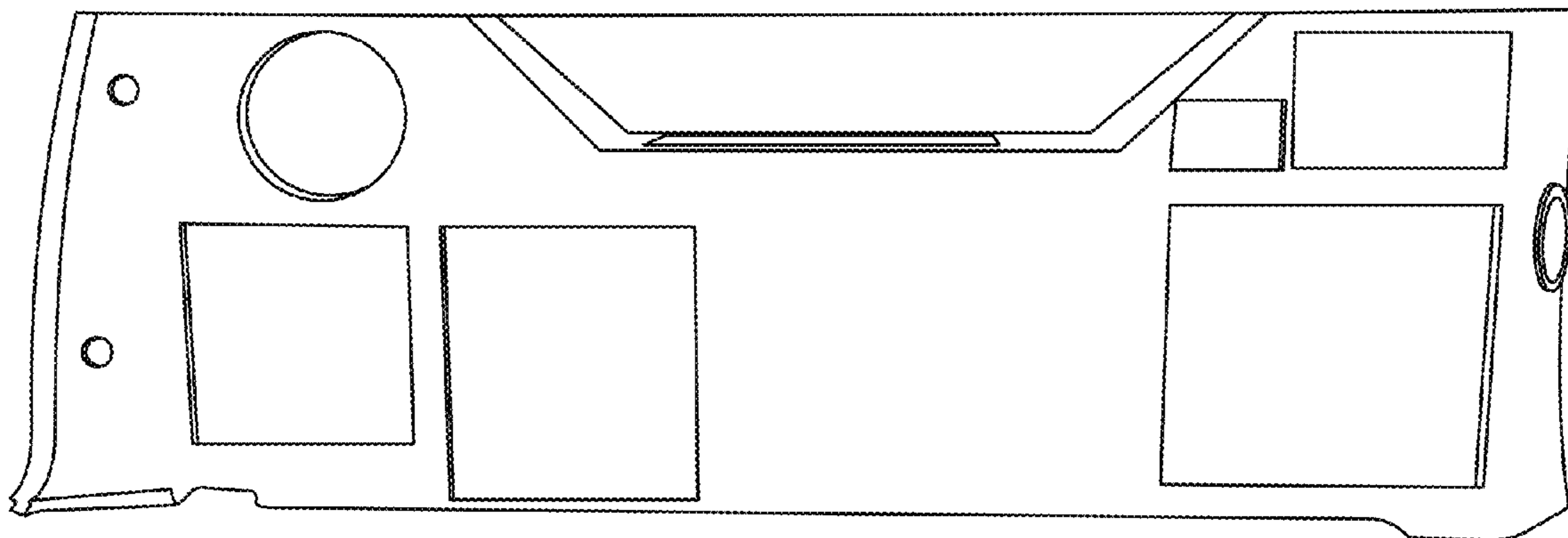
FIG. 4 is a top side view thereof;

FIG. 5 is a bottom side view thereof;

FIG. 6 is a back view thereof; and,

FIG. 7 is an oblique perspective view thereof.

**1 Claim, 7 Drawing Sheets**



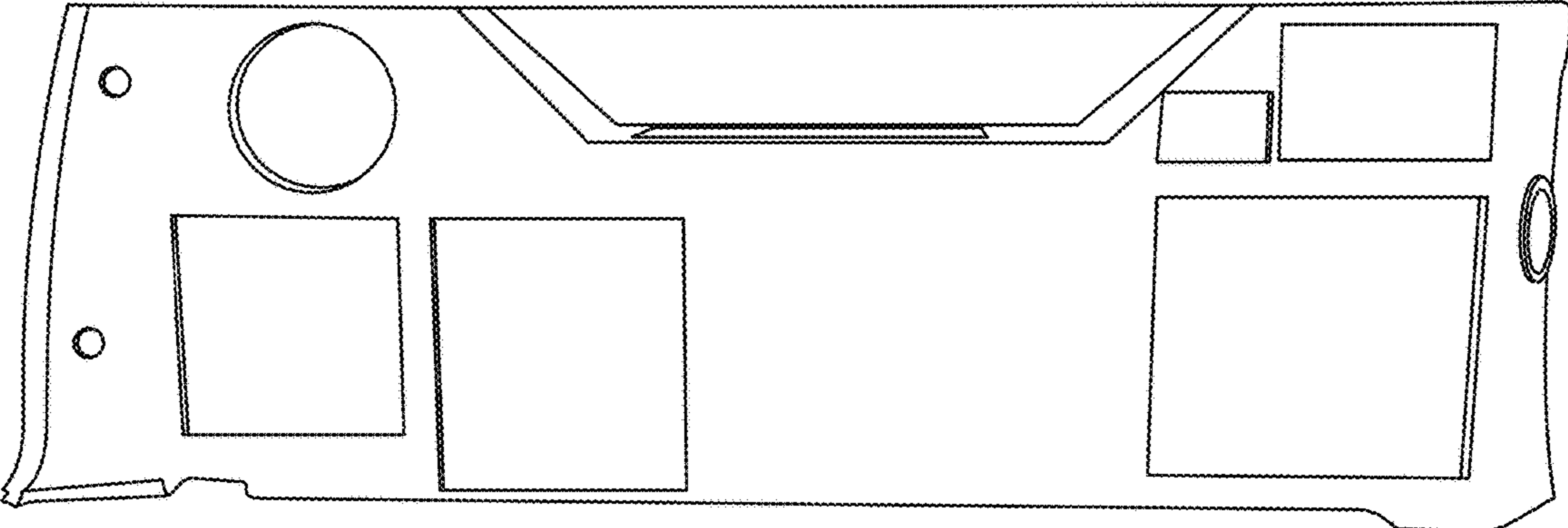


Fig. 1

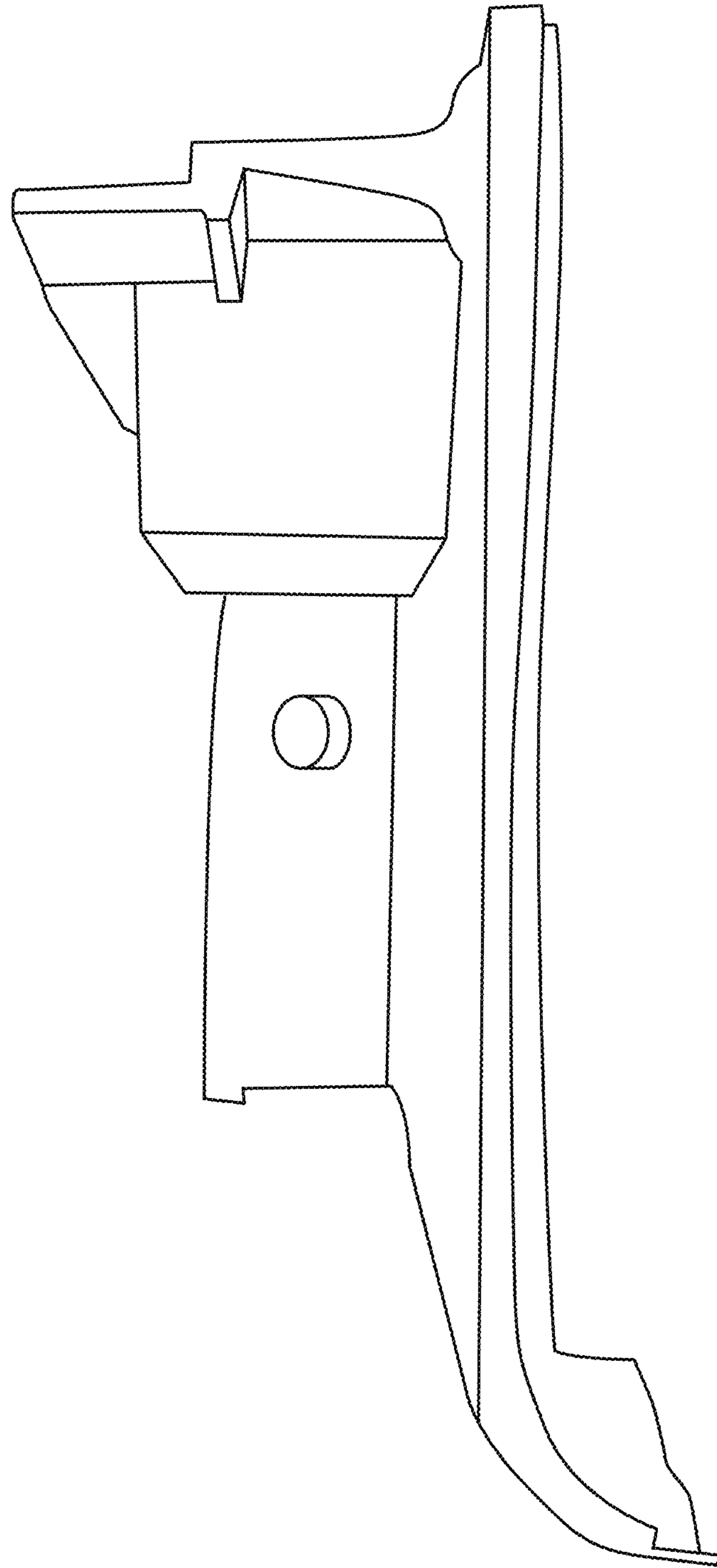


Fig. 2

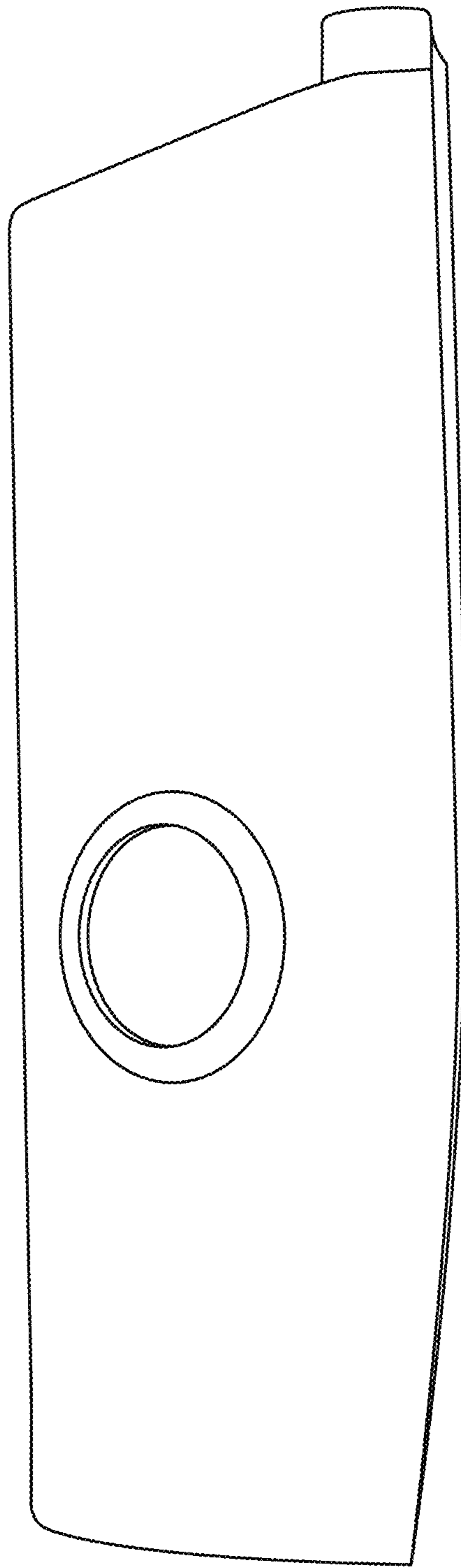


Fig. 3

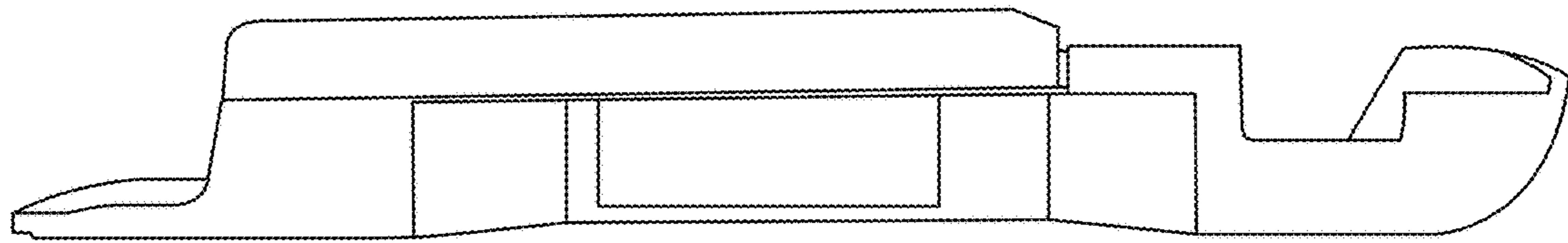


Fig. 4

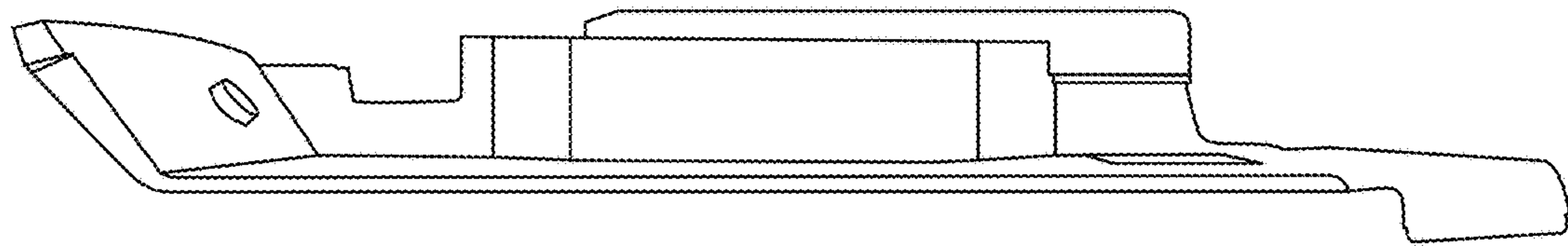


Fig. 5

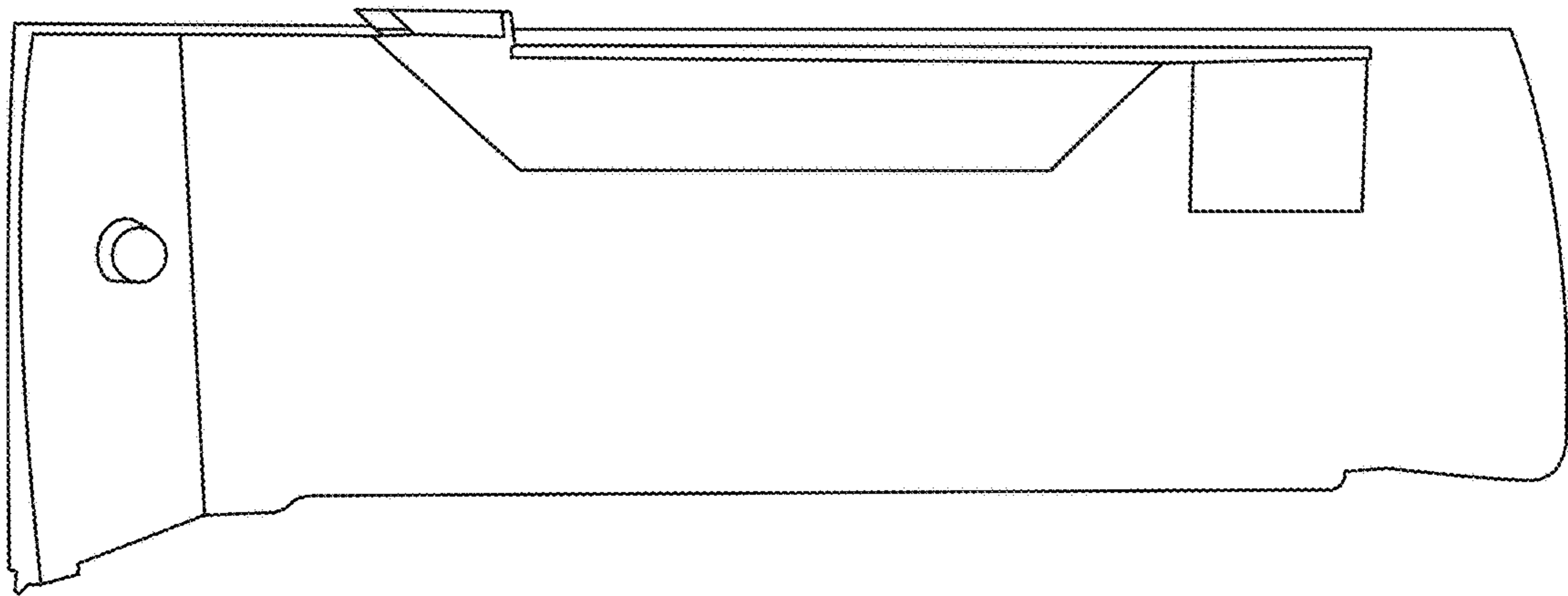


Fig. 6

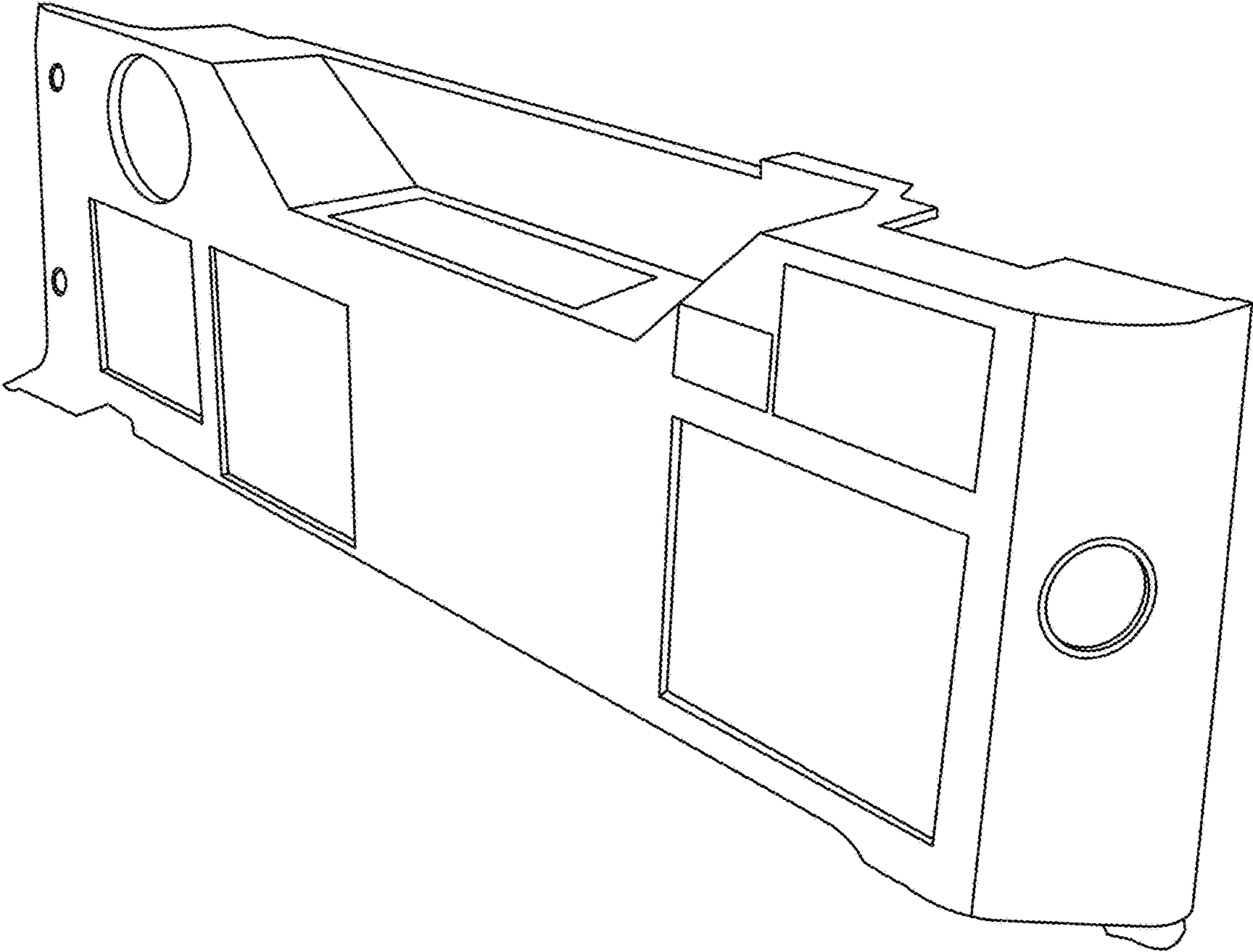


Fig. 7