



US00D791023S

(12) **United States Design Patent** (10) **Patent No.:** **US D791,023 S**
Roy et al. (45) **Date of Patent:** **** Jul. 4, 2017**

(54) **TORQUE ARM**
(71) Applicant: **Superpedestrian Inc.**, Cambridge, MA (US)
(72) Inventors: **Robert Paul Roy**, Dracut, MA (US);
Marco Maria Pedrazzo, Cuneo (IT);
Assaf Biderman, Boston, MA (US);
Carlo Ratti, London (GB)
(73) Assignee: **Superpedestrian, Inc.**, Cambridge, MA (US)

D269,506 S 6/1983 Suzuki et al.
D269,603 S 7/1983 Whitmarsh
D281,062 S 10/1985 Hess
D312,998 S 12/1990 Carlson
D416,830 S * 11/1999 McKay D12/114
D458,202 S 6/2002 Passarotto
D462,042 S 8/2002 Bernardi
D471,491 S * 3/2003 Grove D12/114
D472,507 S 4/2003 Passarotto
D498,722 S 11/2004 Smith et al.
D502,431 S * 3/2005 Matthies D12/114
7,156,196 B2 1/2007 Katsaros et al.
D564,419 S * 3/2008 Clontz D12/114
D579,844 S 11/2008 Hed
D596,547 S 7/2009 Passarotto et al.

(**) Term: **14 Years**

(21) Appl. No.: **29/509,919**

(22) Filed: **Nov. 21, 2014**

(51) **LOC (10) Cl.** **12-11**

(52) **U.S. Cl.**
USPC **D12/114**

(58) **Field of Classification Search**
USPC D12/107, 110, 114, 117, 223; D8/349,
D8/354, 363, 373, 382; 280/288.4;
248/200, 300, 304, 317, 339, 503;
D15/143; D16/132
CPC ... B62H 1/00; B62H 1/02; B62H 1/04; B62M
6/40; B62M 6/60; B62K 19/30; B62K
19/40; B62K 25/02
See application file for complete search history.

(56) **References Cited**

U.S. PATENT DOCUMENTS

D103,728 S 3/1937 Lejeune
3,432,158 A * 3/1969 Goodwin B60G 17/025
267/278
D218,232 S 8/1970 Shimano et al.
D218,964 S 10/1970 Shimano
D232,630 S 9/1974 Siroonian et al.
D248,747 S 8/1978 Hood
D269,081 S 5/1983 Hayashi

Primary Examiner — Darlington Ly

(74) *Attorney, Agent, or Firm* — GTC Law Group PC & Affiliates

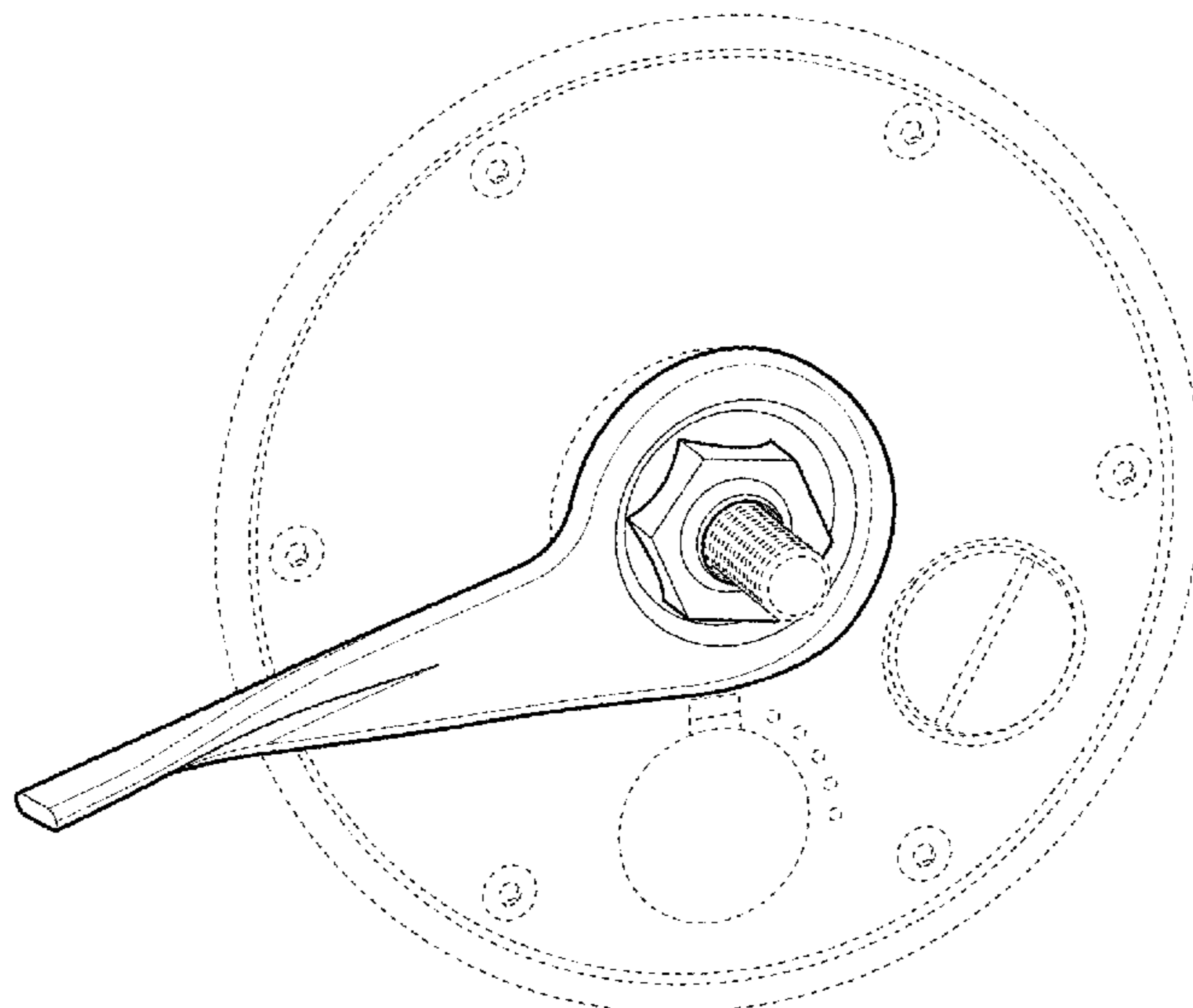
(57) **CLAIM**

The ornamental design for a torque arm, as shown and described.

DESCRIPTION

FIG. 1 is a rear and left side perspective view of a torque arm depicted attached to an electrically powered wheel and frame of a vehicle;
FIG. 2 is an enlarged front and left side perspective view of the torque arm in FIG. 1;
FIG. 3 is an enlarged front and left side perspective view of the torque plate component of the torque arm;
FIG. 4 is an enlarged perspective view of the contoured nut of the torque arm; and,
FIG. 5 is an enlarged front and right side perspective view of the torque plate component of the torque arm.
The broken lines showing portions of an electrically powered wheel and vehicle frame are provided for the purpose of illustrating environmental structure and forms no part of the claimed design.

1 Claim, 3 Drawing Sheets



(56)

References Cited

U.S. PATENT DOCUMENTS

7,673,946	B1	3/2010	Hed et al.	
D613,206	S *	4/2010	Norman	D12/114
D625,333	S	10/2010	Tanaka et al.	
D657,726	S	4/2012	Finnie	
D685,686	S *	7/2013	Pirola	D12/114
8,657,047	B2	2/2014	Urabe et al.	
D721,315	S	1/2015	Delavy	
D729,128	S *	5/2015	Forget	D12/114
9,027,681	B2 *	5/2015	Biderman	B60B 1/003 180/220
D750,999	S	3/2016	Zichner	
D753,040	S	4/2016	Lisanti et al.	
D764,365	S	8/2016	Hirai et al.	
D766,801	S	9/2016	Lin et al.	
2012/0037442	A1 *	2/2012	Radtke	B60K 1/04 180/220
2013/0241175	A1 *	9/2013	Talavasek	B62M 6/40 280/288.4
2016/0075177	A1	3/2016	Biderman et al.	
2016/0082772	A1	3/2016	Biderman et al.	

* cited by examiner

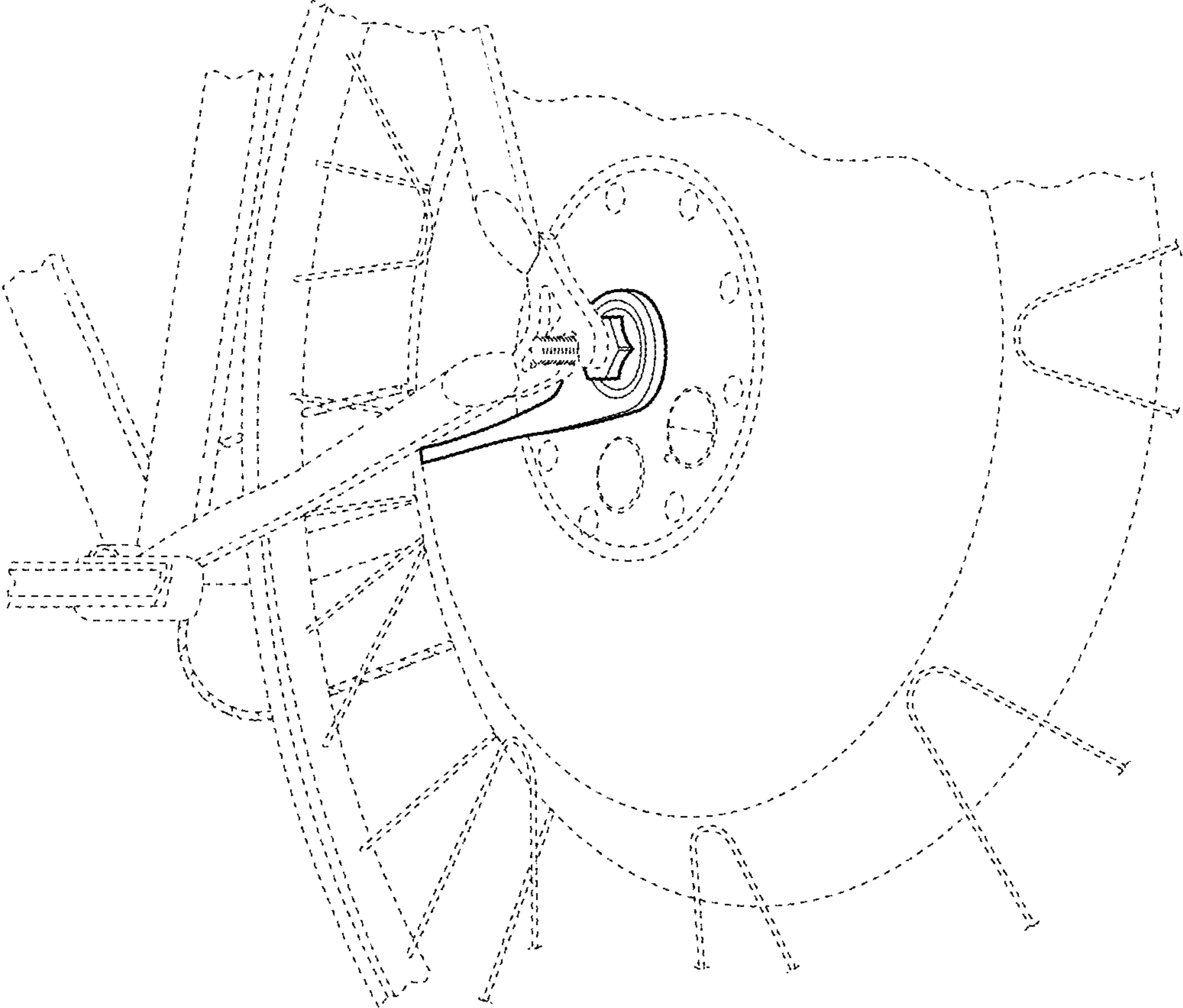


FIG. 1

FIG. 2

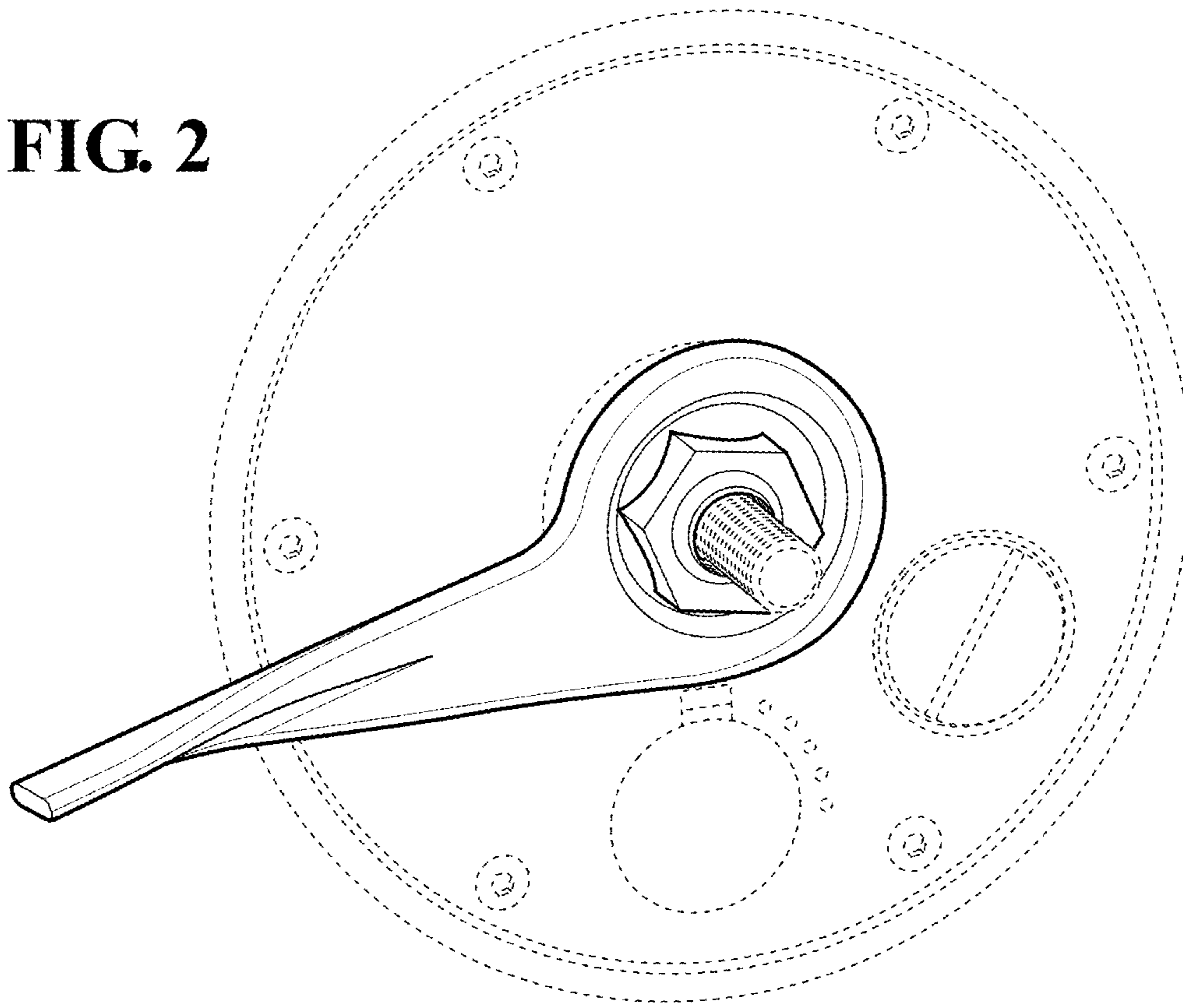
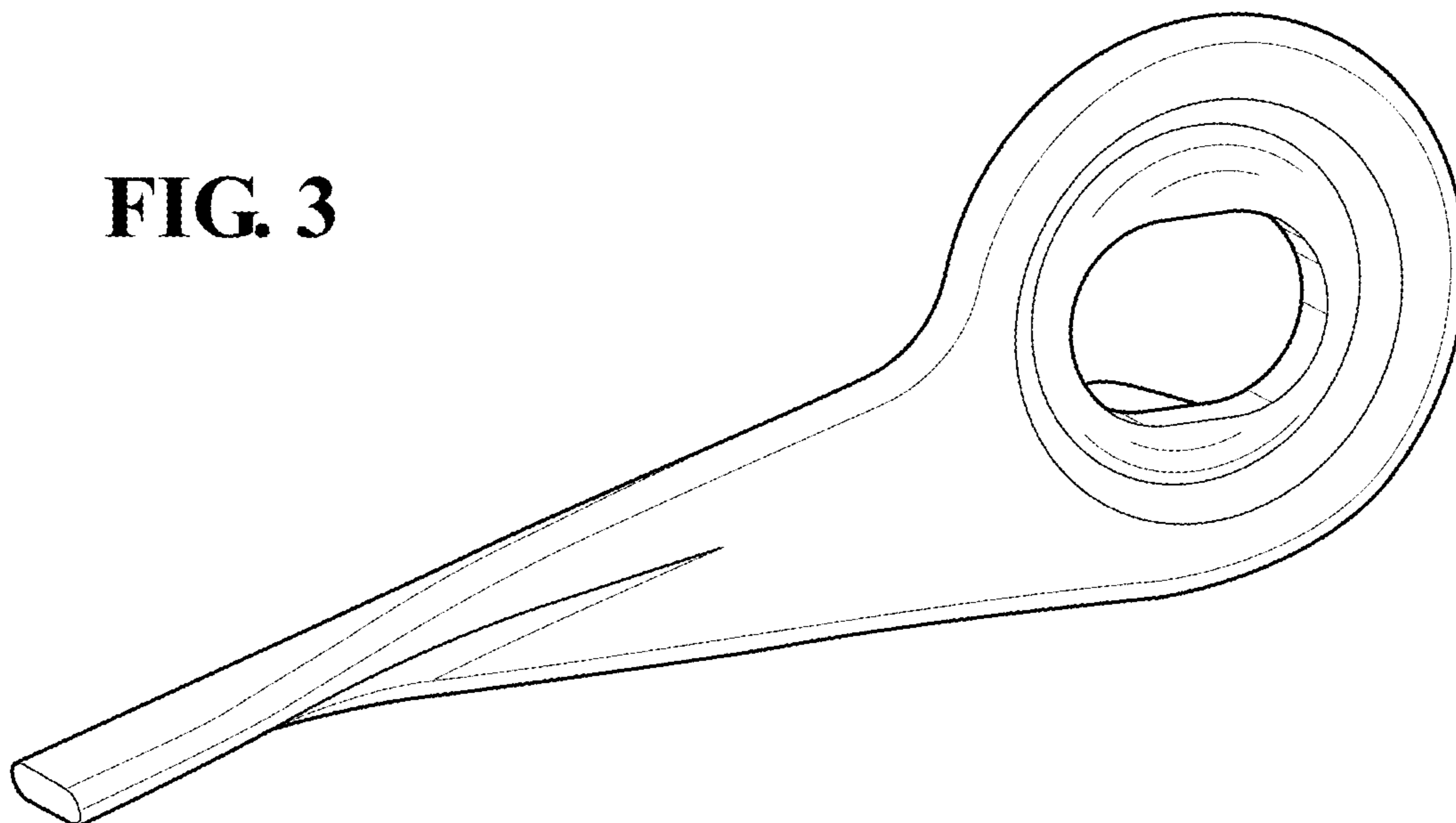


FIG. 3



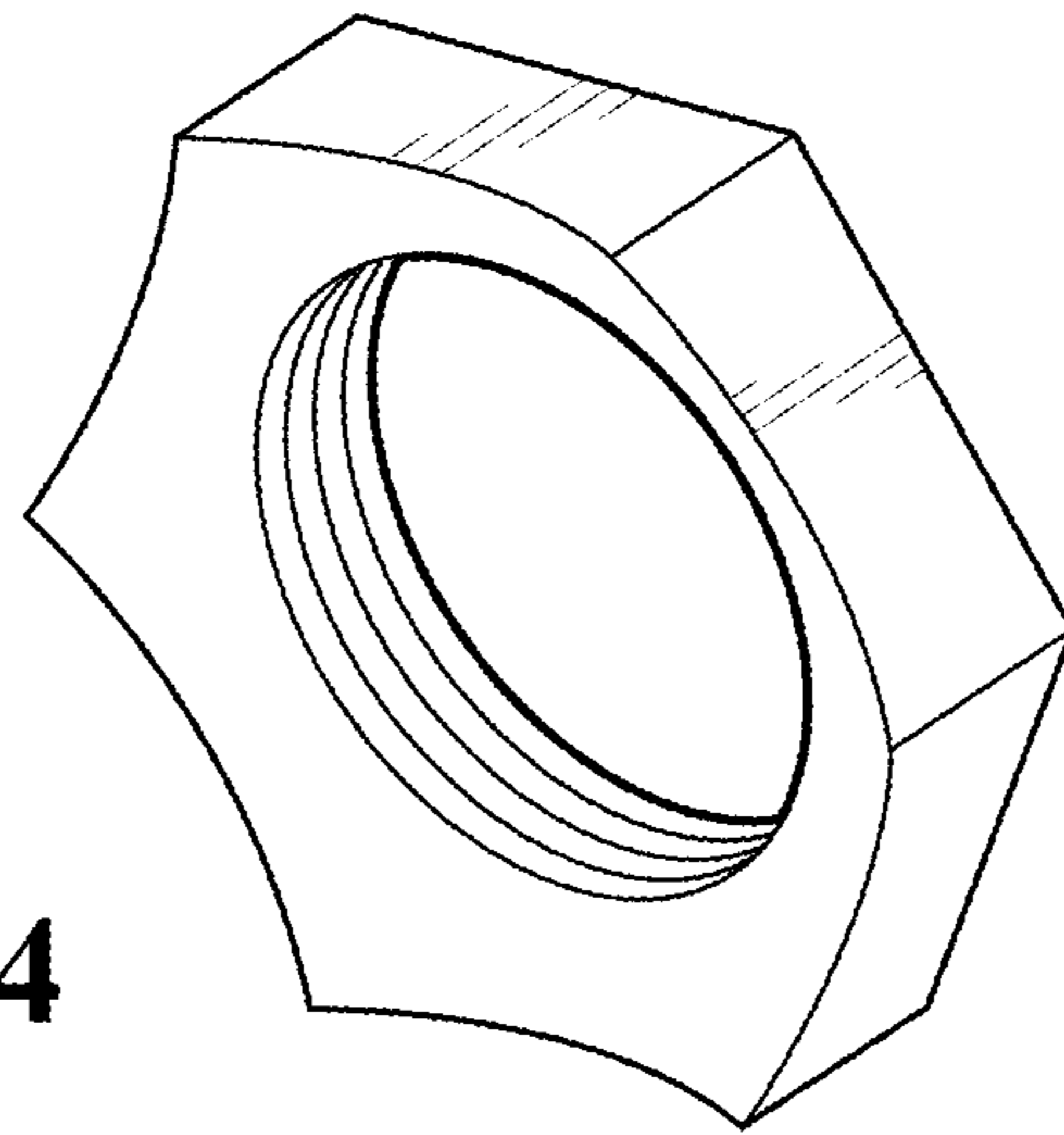


FIG. 4

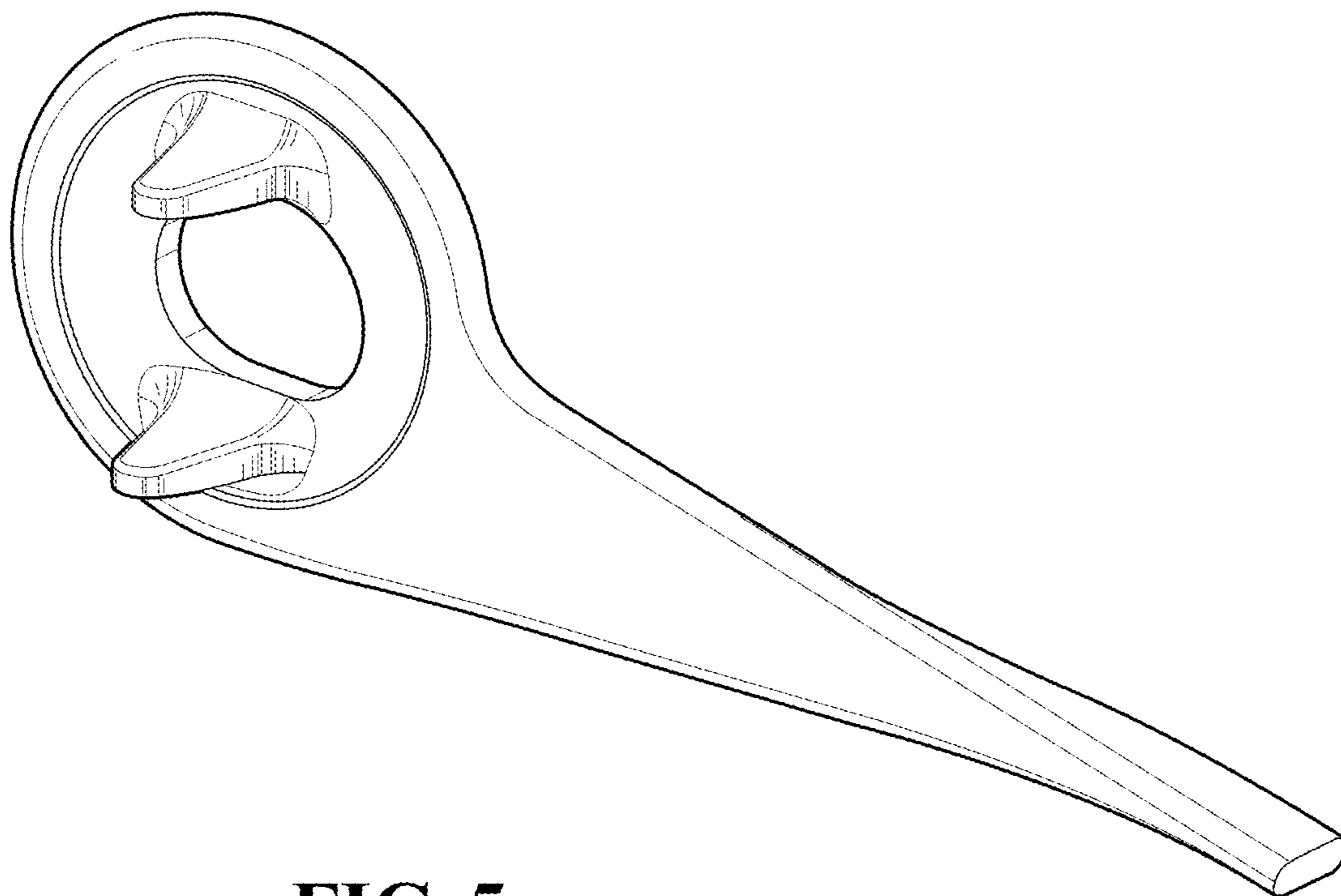


FIG. 5