



US00D791022S

(12) **United States Design Patent**
Lam

(10) **Patent No.:** **US D791,022 S**
(45) **Date of Patent:** **** Jul. 4, 2017**

- (54) **KIDS BICYCLE**
- (71) Applicant: **Trek Bicycle Corp.**, Waterloo, WI (US)
- (72) Inventor: **Vi Lam**, South Elgin, IL (US)
- (73) Assignee: **Trek Bicycle Corporation**, Waterloo, WI (US)
- (**) Term: **15 Years**
- (21) Appl. No.: **29/555,966**
- (22) Filed: **Feb. 25, 2016**

D450,015 S *	11/2001	Lai	D12/111
D460,025 S *	7/2002	Yu	D12/111
6,588,788 B2 *	7/2003	Clark	B62J 27/00 280/288.4
D478,534 S *	8/2003	Clark	D12/111
6,623,023 B2 *	9/2003	Niitsu	B62K 15/008 180/220
D487,234 S *	3/2004	Chen	D12/111
D494,508 S *	8/2004	Liu	D12/111
D497,122 S *	10/2004	Uenaka	D12/111
D500,713 S *	1/2005	Gunter	D12/111
7,156,409 B2 *	1/2007	Chuang	B62K 15/006 280/278
D536,645 S *	2/2007	Cole	D12/111
D614,538 S *	4/2010	Rochon	D12/111

(Continued)

Related U.S. Application Data

- (63) Continuation of application No. 29/491,778, filed on May 23, 2014, now abandoned.
- (51) **LOC (10) Cl.** **12-11**
- (52) **U.S. Cl.**
USPC **D12/111**
- (58) **Field of Classification Search**
USPC D12/111, 117; D21/419, 424;
280/274-280, 281.1, 283-288,
280/288.1-288.4
CPC ... B62K 3/00; B62K 3/02; B62K 3/06; B62K
3/08; B62K 9/00; B62K 15/00; B62K
15/006; B62K 15/008; B62K 17/00
See application file for complete search history.

(56) **References Cited**

U.S. PATENT DOCUMENTS

D220,024 S *	2/1971	Fujiyoshi et al.	D12/111
D317,142 S *	5/1991	Smith	D12/111
D400,826 S *	11/1998	Accerenzi	D12/111
D430,823 S *	9/2000	Nakai	D12/111
D449,020 S *	10/2001	Yang	D12/111
D450,014 S *	11/2001	Chiappetta	D12/111

Primary Examiner — Darlington Ly

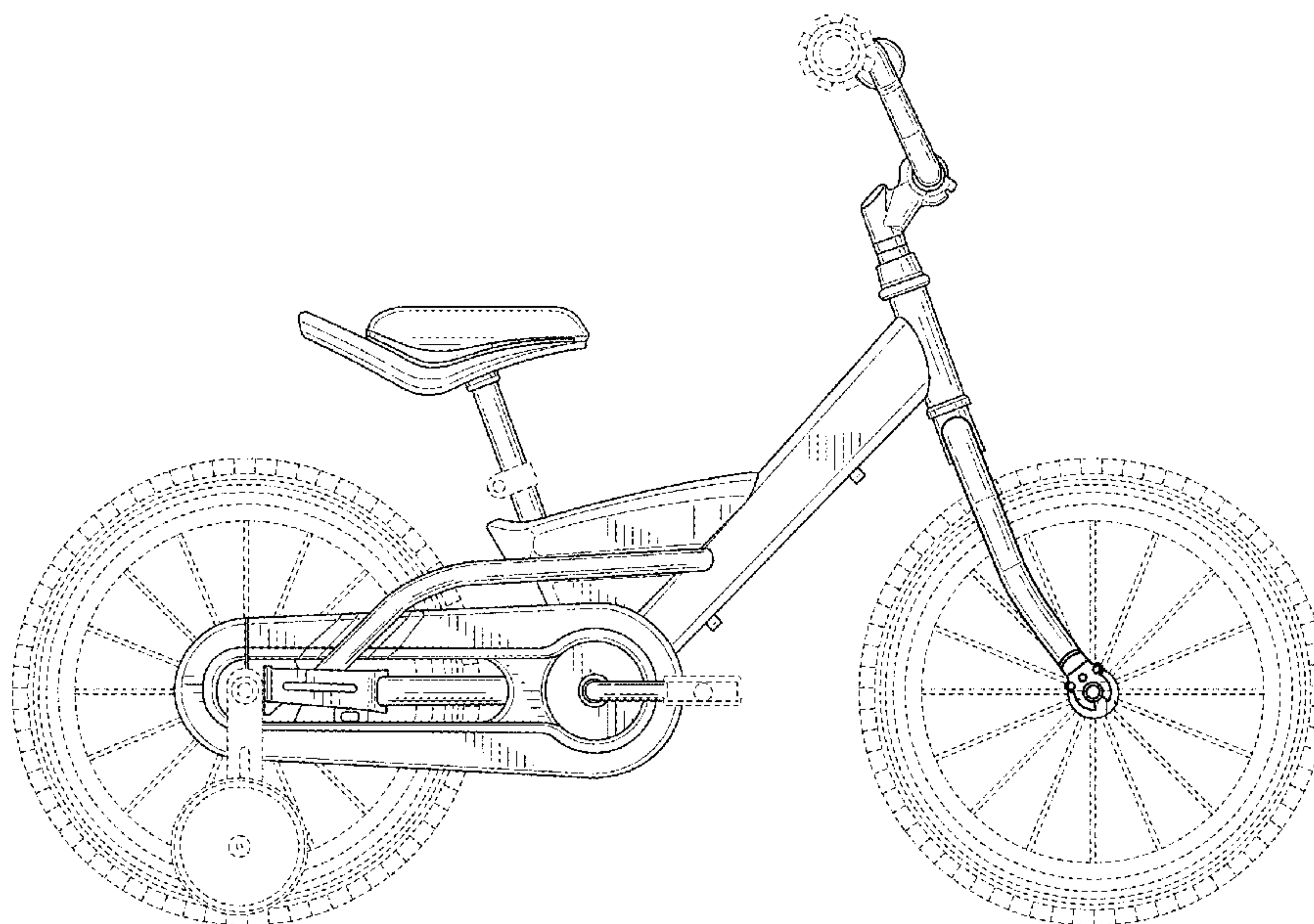
(57) **CLAIM**

The ornamental design for a kids bicycle, as shown and described.

DESCRIPTION

FIG. 1 is a right side elevation view of a kids bicycle showing my new design;
 FIG. 2 is a left side elevation view thereof;
 FIG. 3 is a top plan view thereof;
 FIG. 4 is a bottom plan view thereof;
 FIG. 5 is a front elevation view thereof;
 FIG. 6 is a rear elevation view thereof;
 FIG. 7 is a top, front, and right side perspective view thereof;
 FIG. 8 is a top, rear, and left side perspective view thereof;
 FIG. 9 is a bottom, rear, and right side perspective view thereof; and,
 FIG. 10 is a top, rear, and right side perspective view thereof.
 The broken lines in the drawings illustrate portions of the kids bicycle that form no part of the claimed design.

1 Claim, 10 Drawing Sheets



(56)

References Cited

U.S. PATENT DOCUMENTS

D617,687 S * 6/2010 Brady D12/111
D689,409 S * 9/2013 Yap D12/111

* cited by examiner

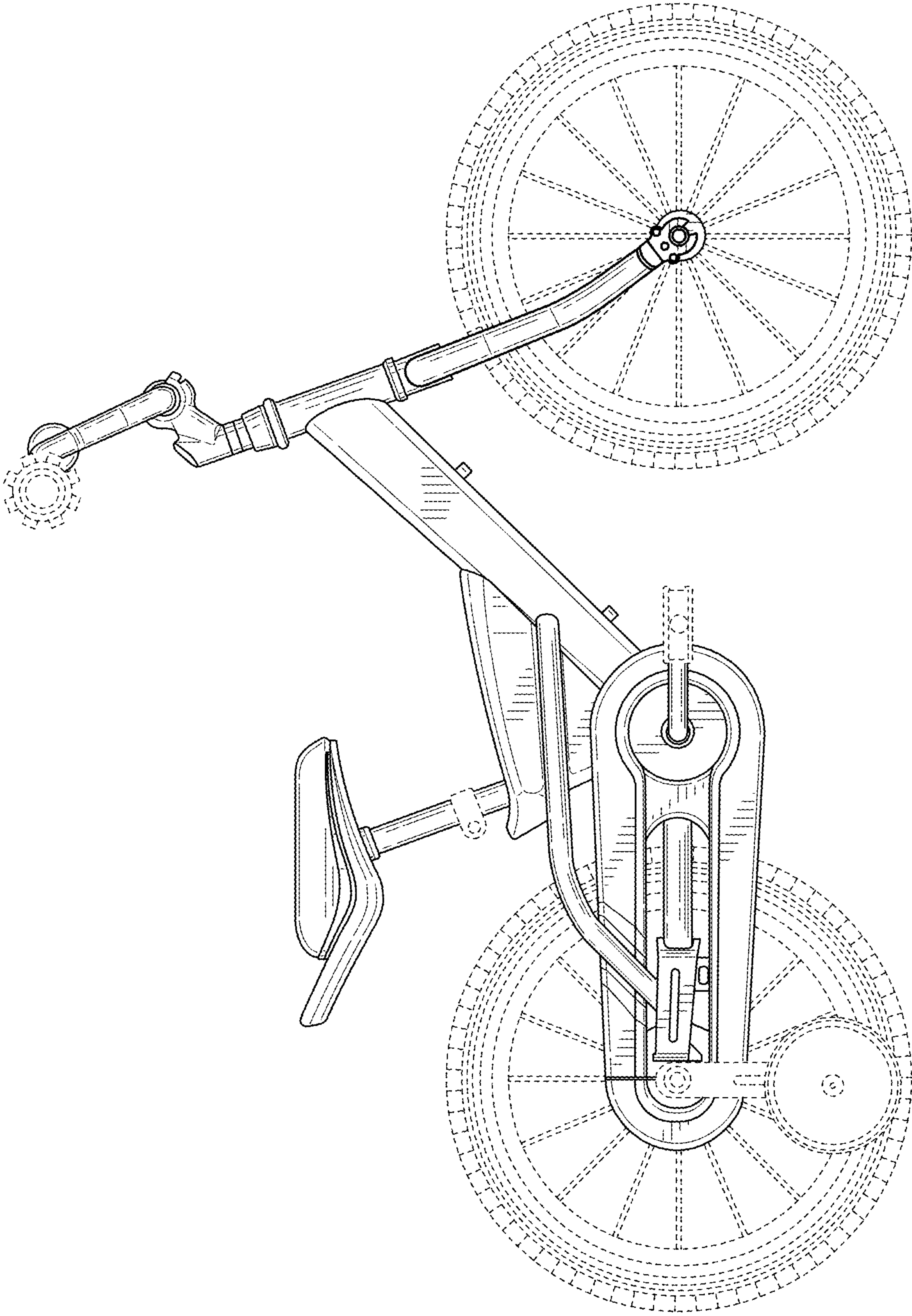


FIG. 1

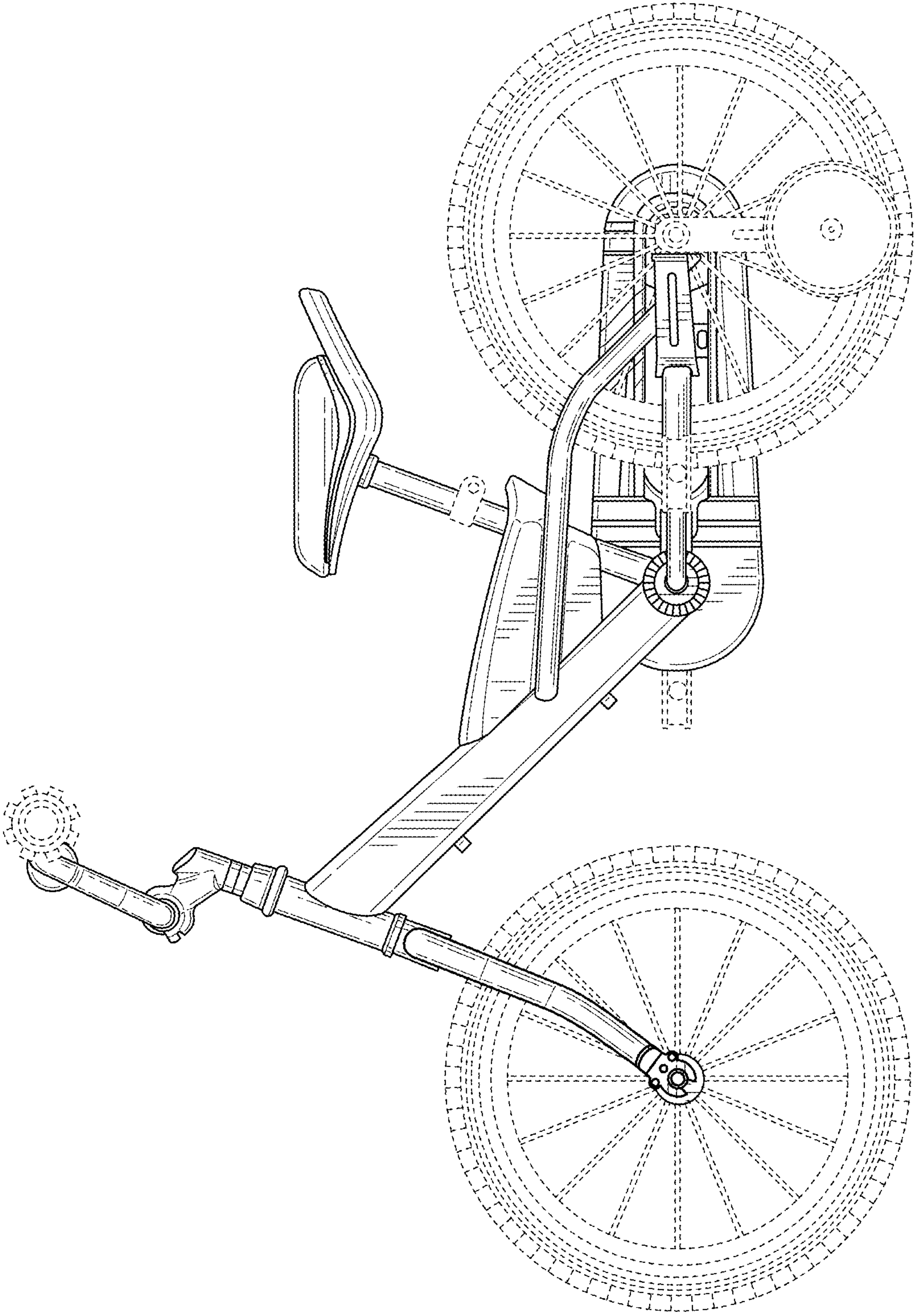


FIG. 2

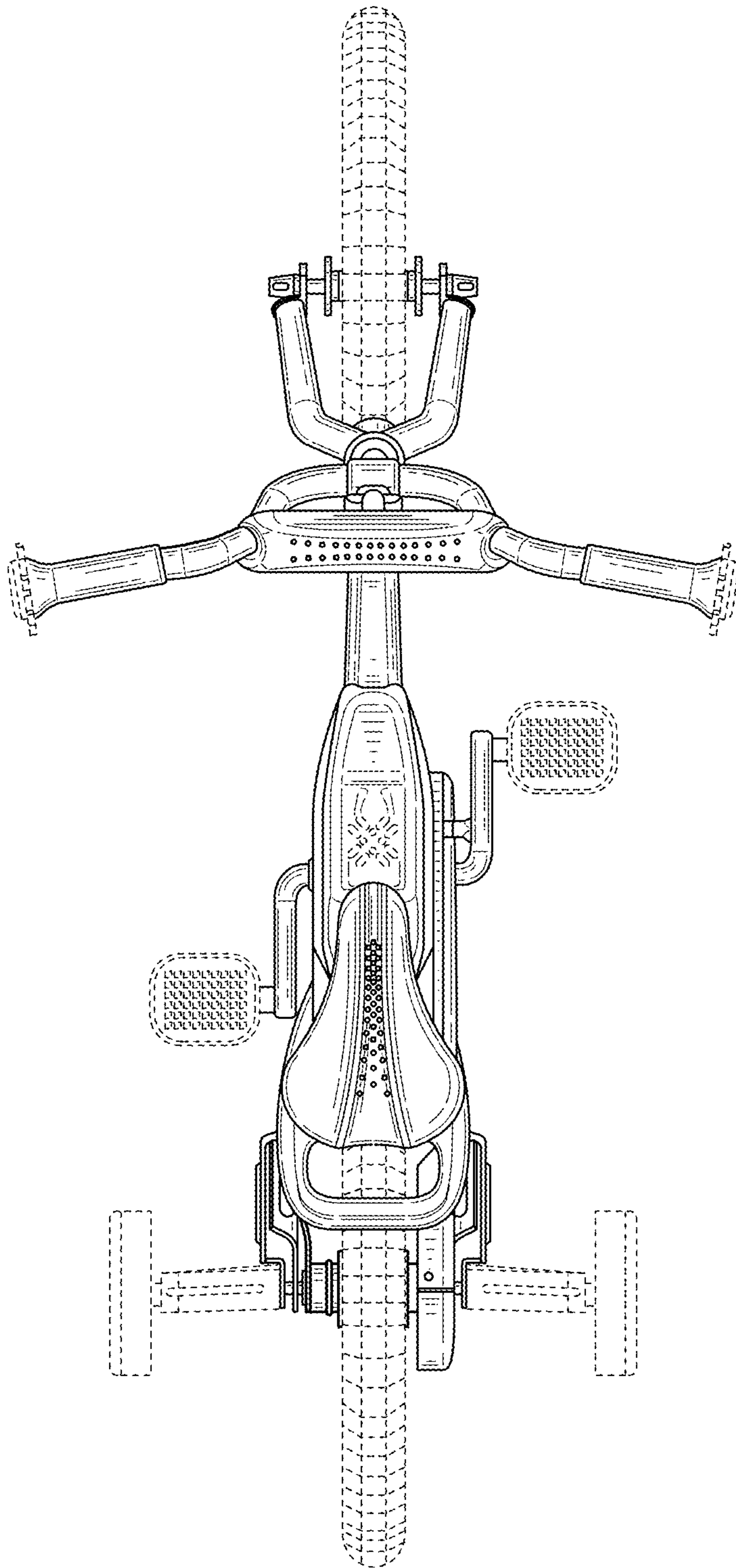


FIG. 3

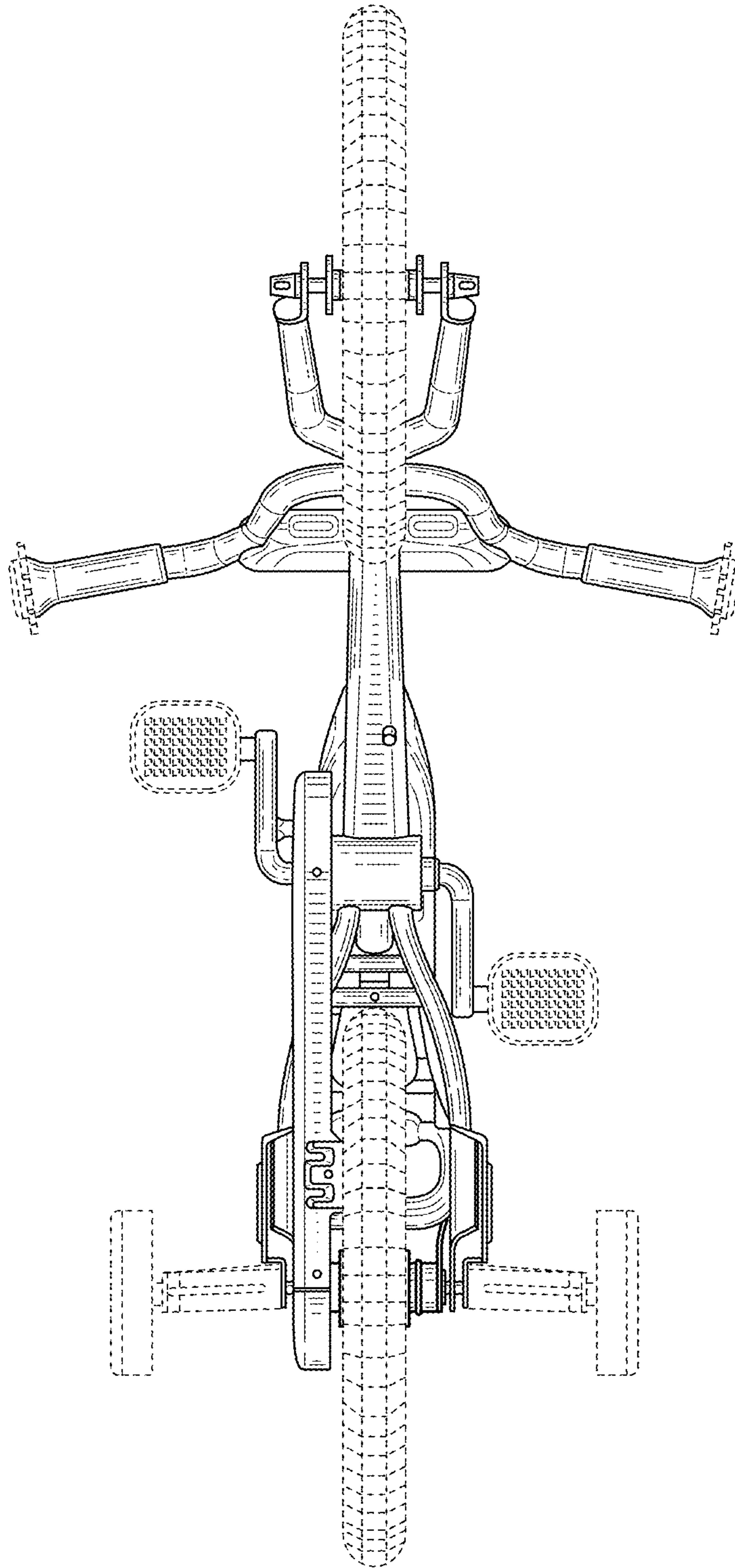


FIG. 4

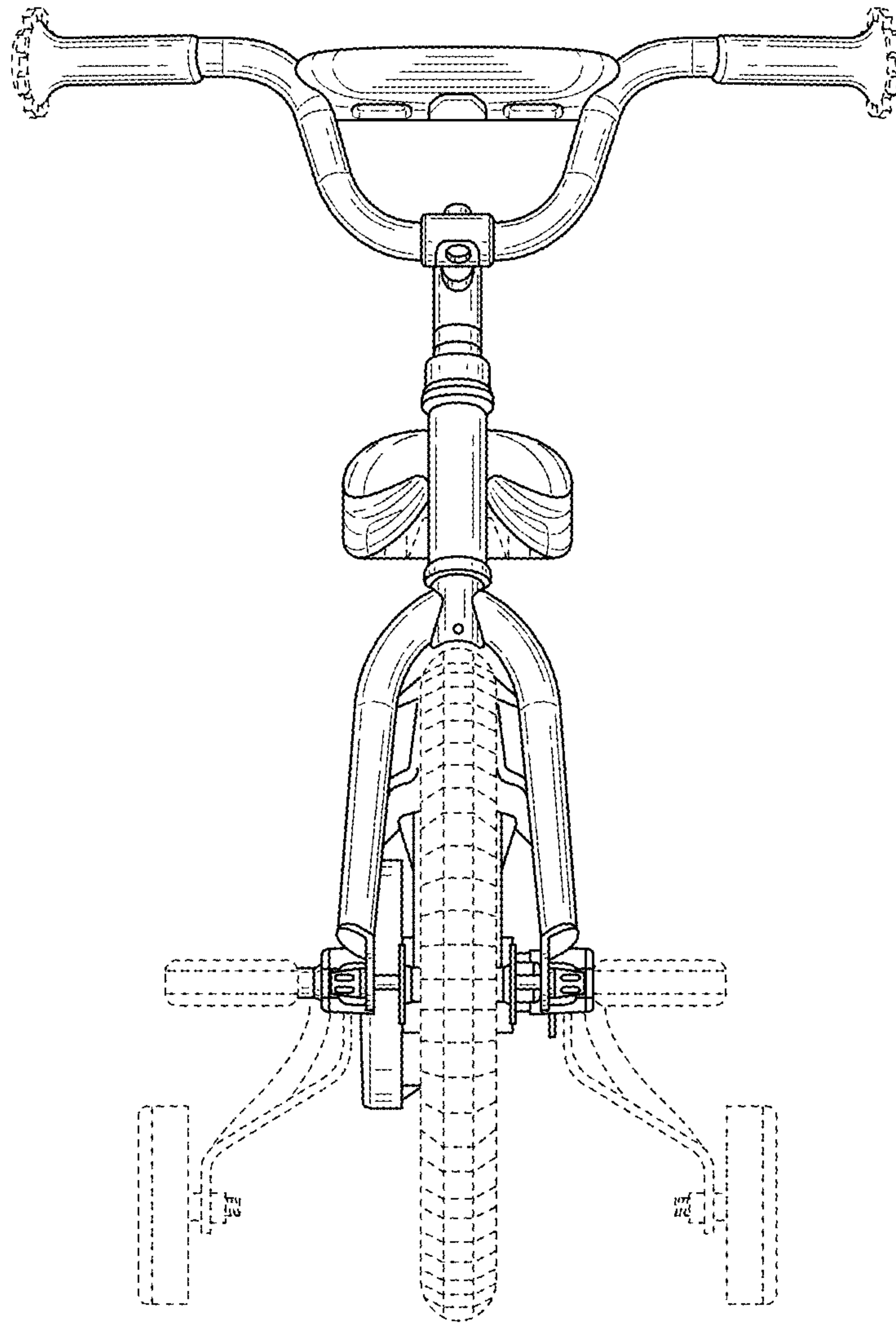


FIG. 5

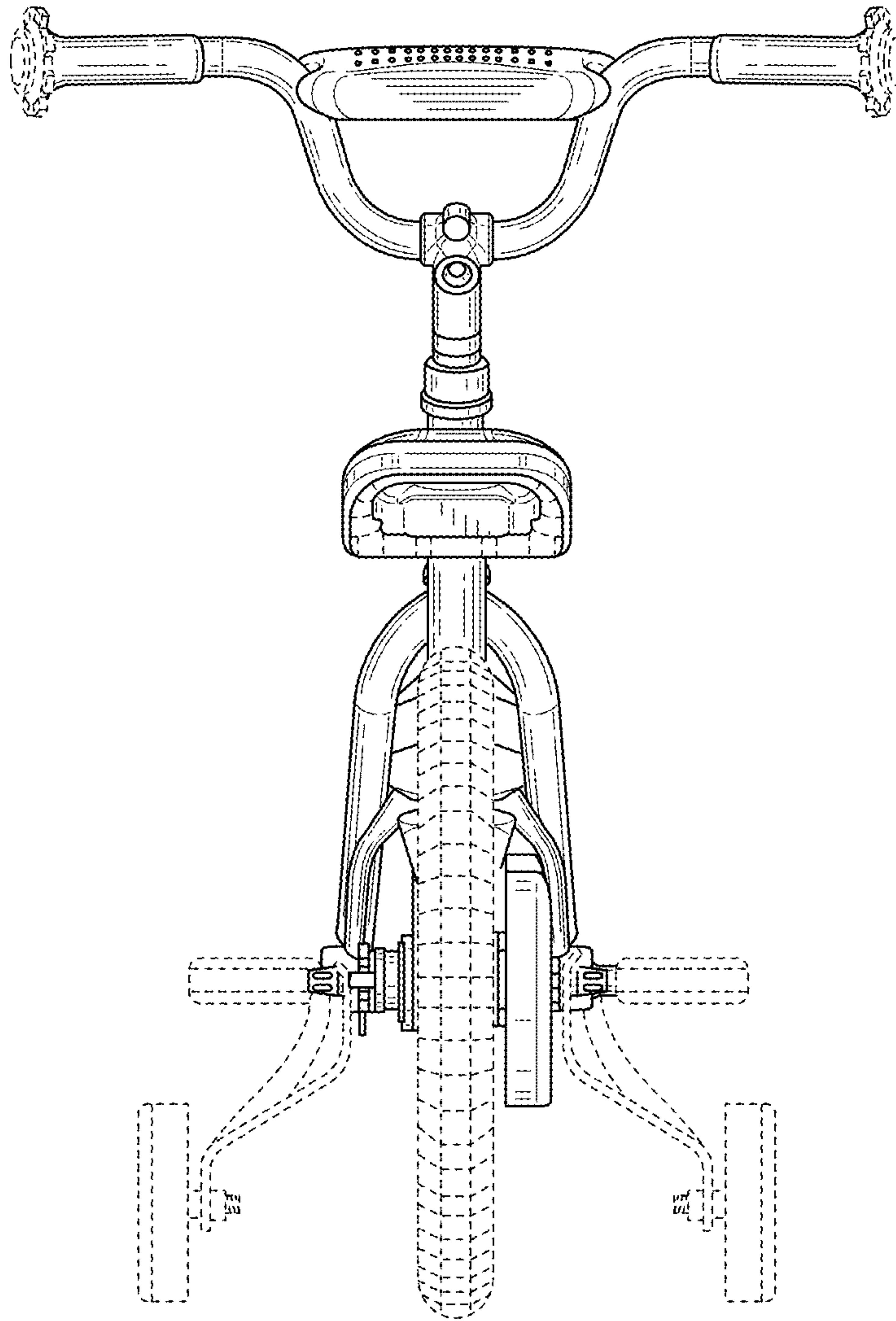


FIG. 6

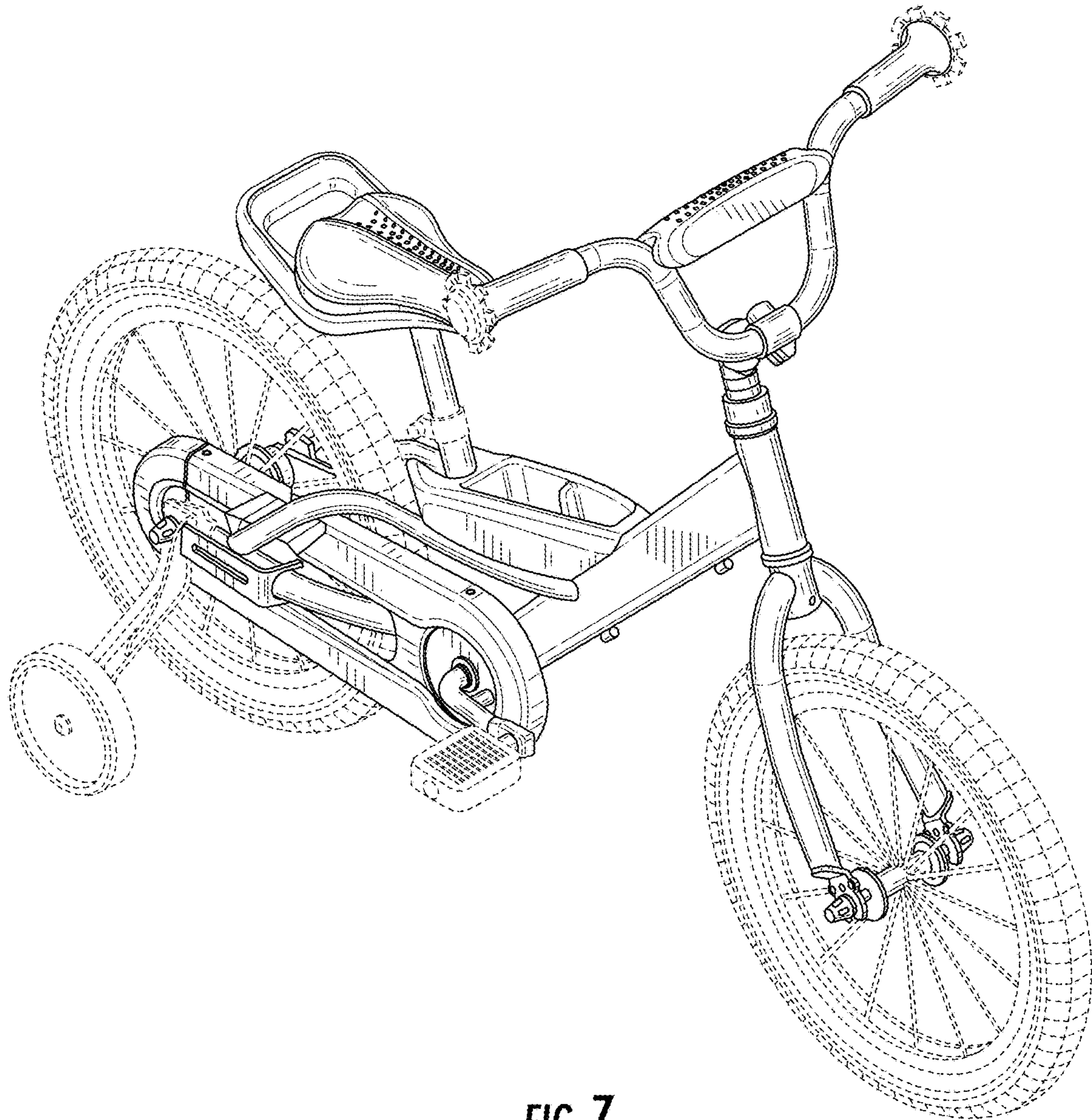


FIG. 7

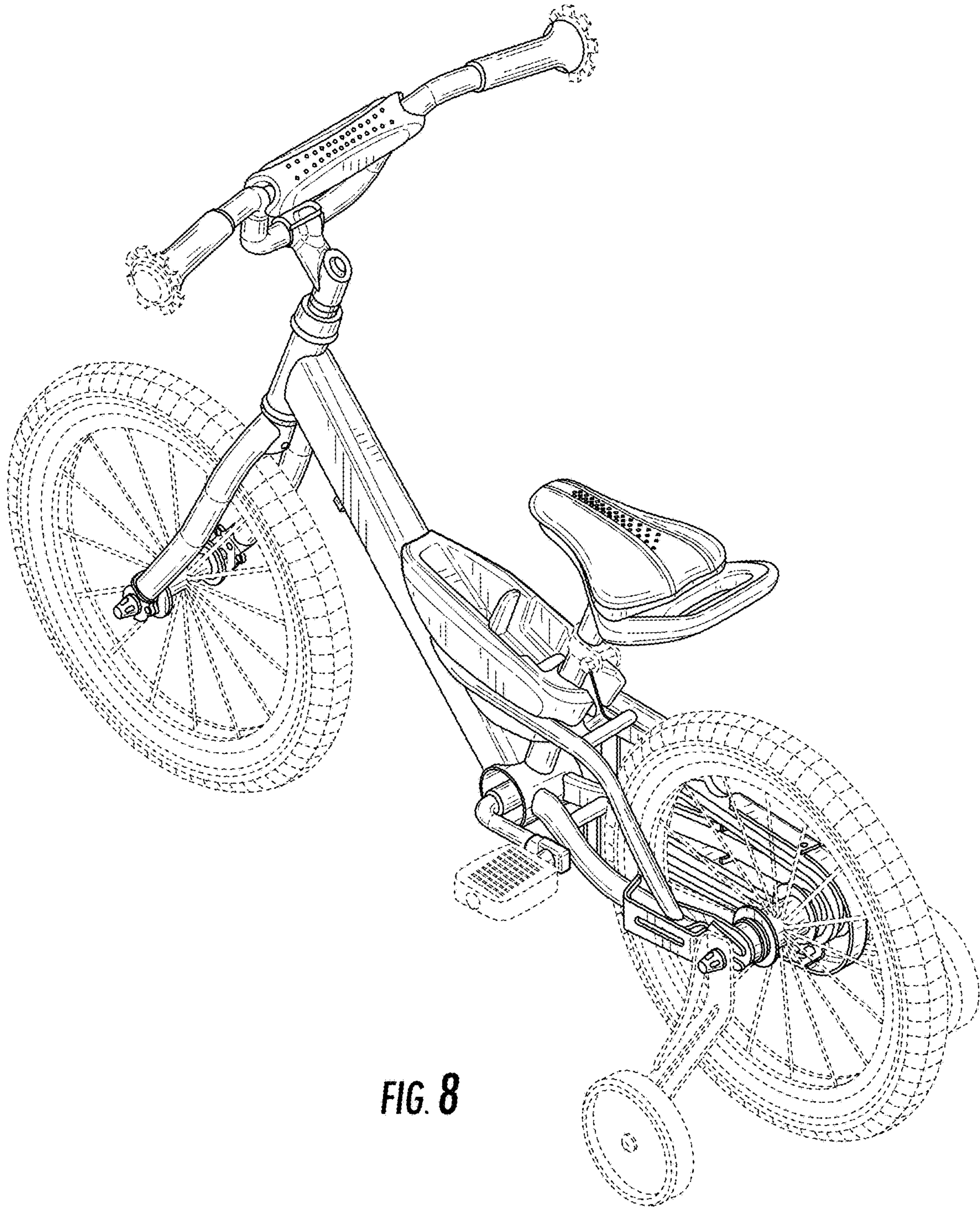


FIG. 8

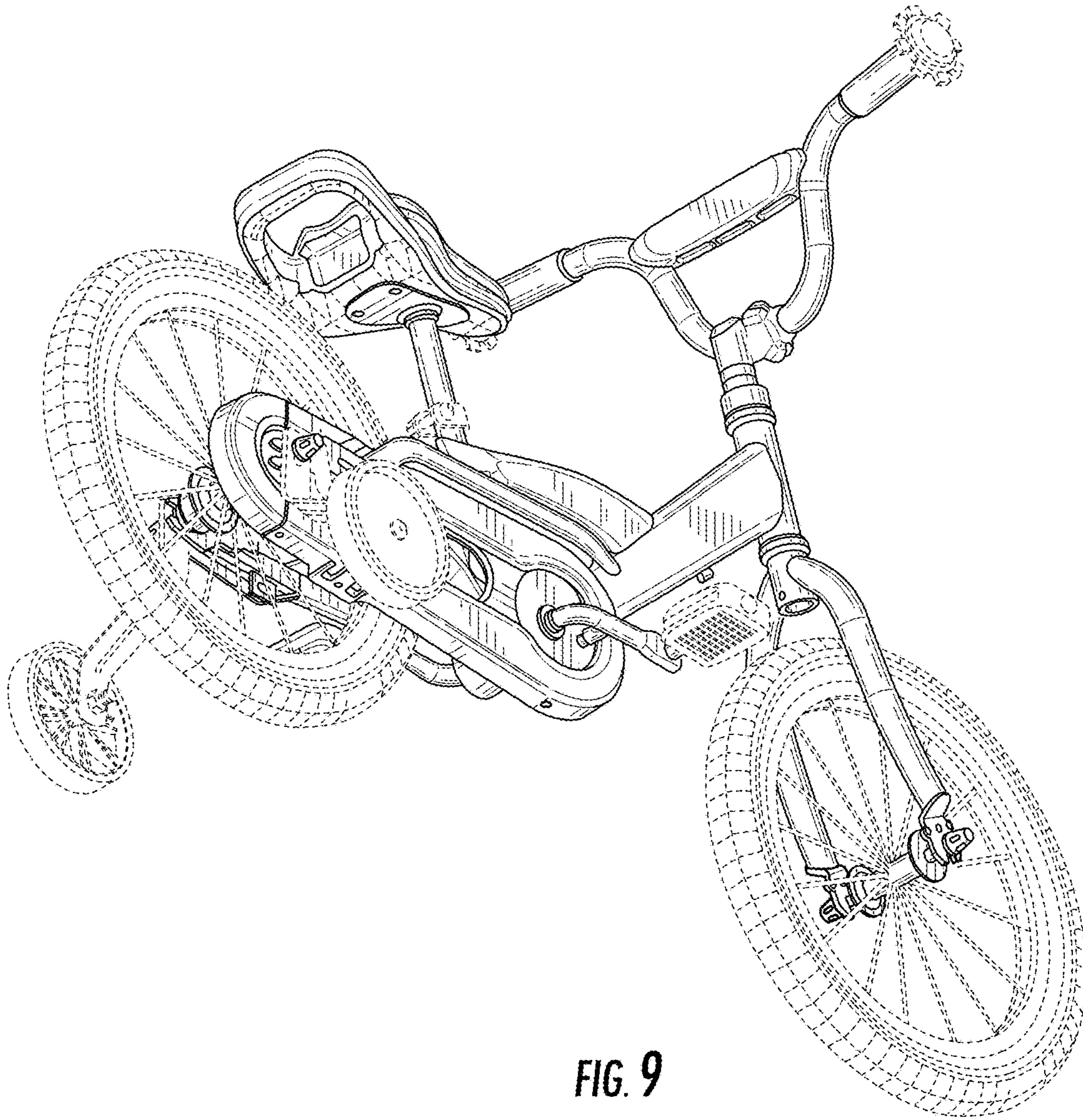


FIG. 9

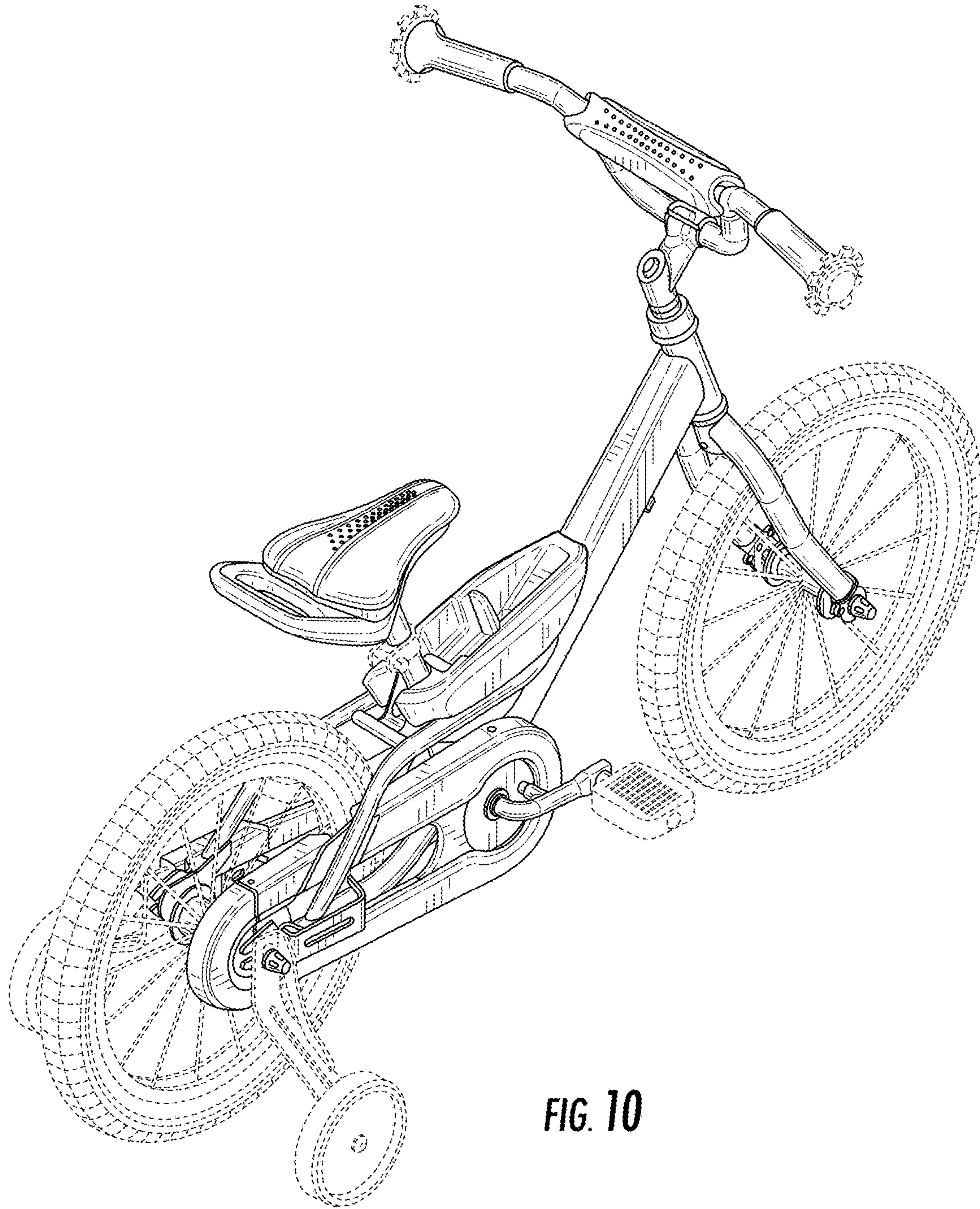


FIG. 10