



US00D791017S

(12) **United States Design Patent** (10) **Patent No.:** **US D791,017 S**
Ferree (45) **Date of Patent:** **** Jul. 4, 2017**

(54) **BELT BUCKLE**

(71) Applicant: **David Franklin Ferree**, Morehead City, NC (US)

(72) Inventor: **David Franklin Ferree**, Morehead City, NC (US)

(**) Term: **15 Years**

(21) Appl. No.: **29/562,518**

(22) Filed: **Apr. 26, 2016**

(51) **LOC (10) Cl.** **02-07**

(52) **U.S. Cl.**
USPC **D11/238**

(58) **Field of Classification Search**
USPC D11/200, 208, 210, 216, 231, 234, D11/236-238; D2/624, 627, 639
CPC A44B 11/00; A44B 11/001; A44B 11/005-11/006; A44B 11/02; A44B 11/04; A44B 11/06; A44B 11/065; A44B 11/08; A44B 11/10; A44B 11/12; A44B 11/125; A44B 11/14; A44B 11/16; A44B 11/18; A44B 11/20; A44B 11/22; A44B 11/223; A44B 11/226; A44B 11/24; A44B 11/25; A44B 11/2503; A44B 11/258; A44B 11/2592; A44B 11/26; A44B 11/28
See application file for complete search history.

D159,033 S * 6/1950 Yarbrough D11/238
D274,289 S * 6/1984 Kuntz D11/236
D451,843 S * 12/2001 Gruosi D11/231
D621,745 S * 8/2010 Mouquet D11/231
D668,997 S * 10/2012 Douglas D11/231
D684,894 S * 6/2013 Douglas D11/231
2013/0291588 A1* 11/2013 Babyak A44C 17/0208 63/29.1

* cited by examiner

Primary Examiner — George D Kirschbaum
Assistant Examiner — Joseph Kukella
(74) *Attorney, Agent, or Firm* — Dunlap Bennett & Ludwig PLLC

(57) **CLAIM**

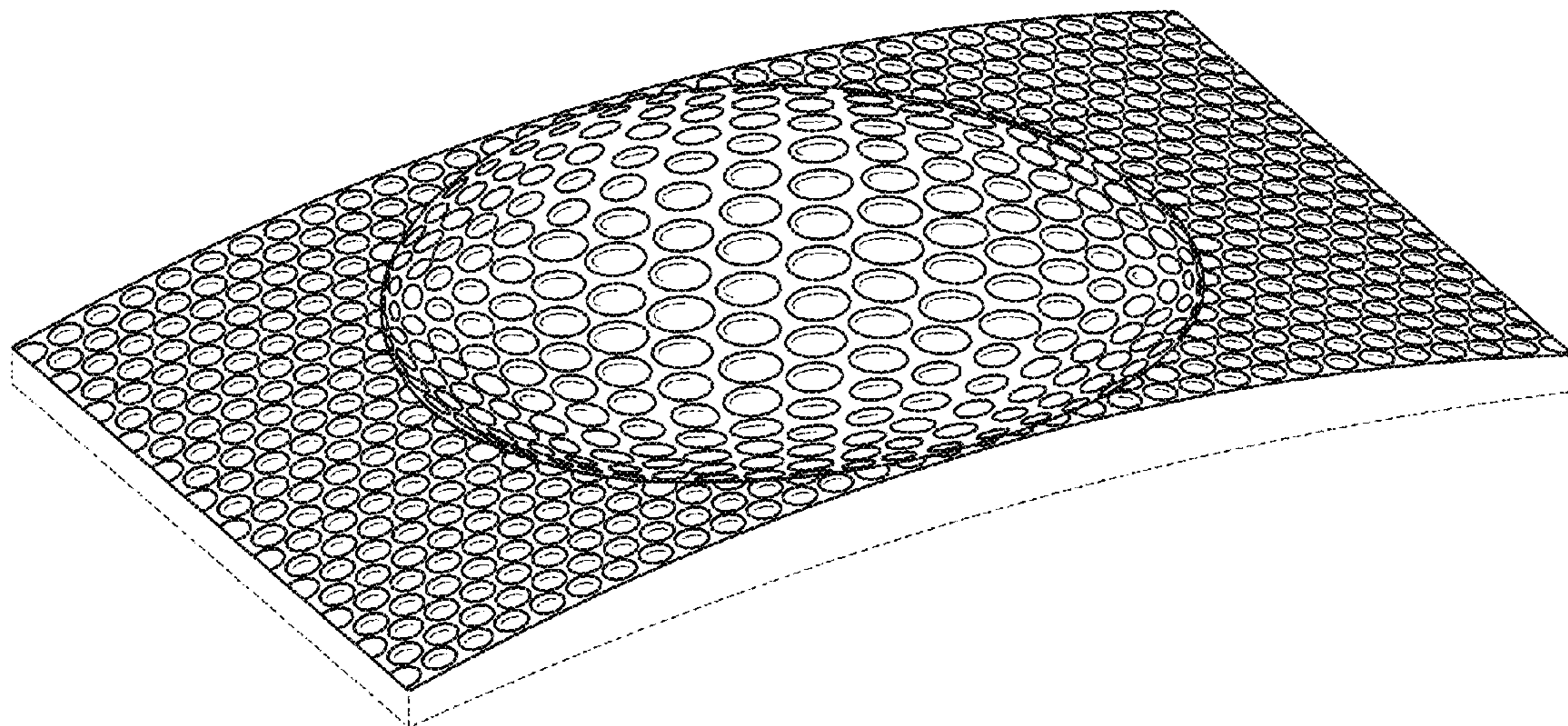
The ornamental design for a belt buckle, as shown and described.

DESCRIPTION

FIG. 1 is a perspective view of a belt buckle;
FIG. 2 is a front elevation view of FIG. 1, the rear elevation view being a mirror image thereof;
FIG. 3 is a left side elevation view of FIG. 1, the right side elevation view being a mirror image thereof;
FIG. 4 is a top plan view of FIG. 1;
FIG. 5 is a bottom plan view of FIG. 1; and,
FIG. 6 is a perspective view of the belt buckle, shown in use. The broken lines only shown in FIG. 6 depict environmental subject matter that forms no part of the claimed design, while the remaining broken lines depict portions of the belt buckle that form no part of the claimed design.

1 Claim, 4 Drawing Sheets

(56) **References Cited**
U.S. PATENT DOCUMENTS
D80,328 S * 1/1930 Mann D11/200
D80,329 S * 1/1930 Mann D11/200



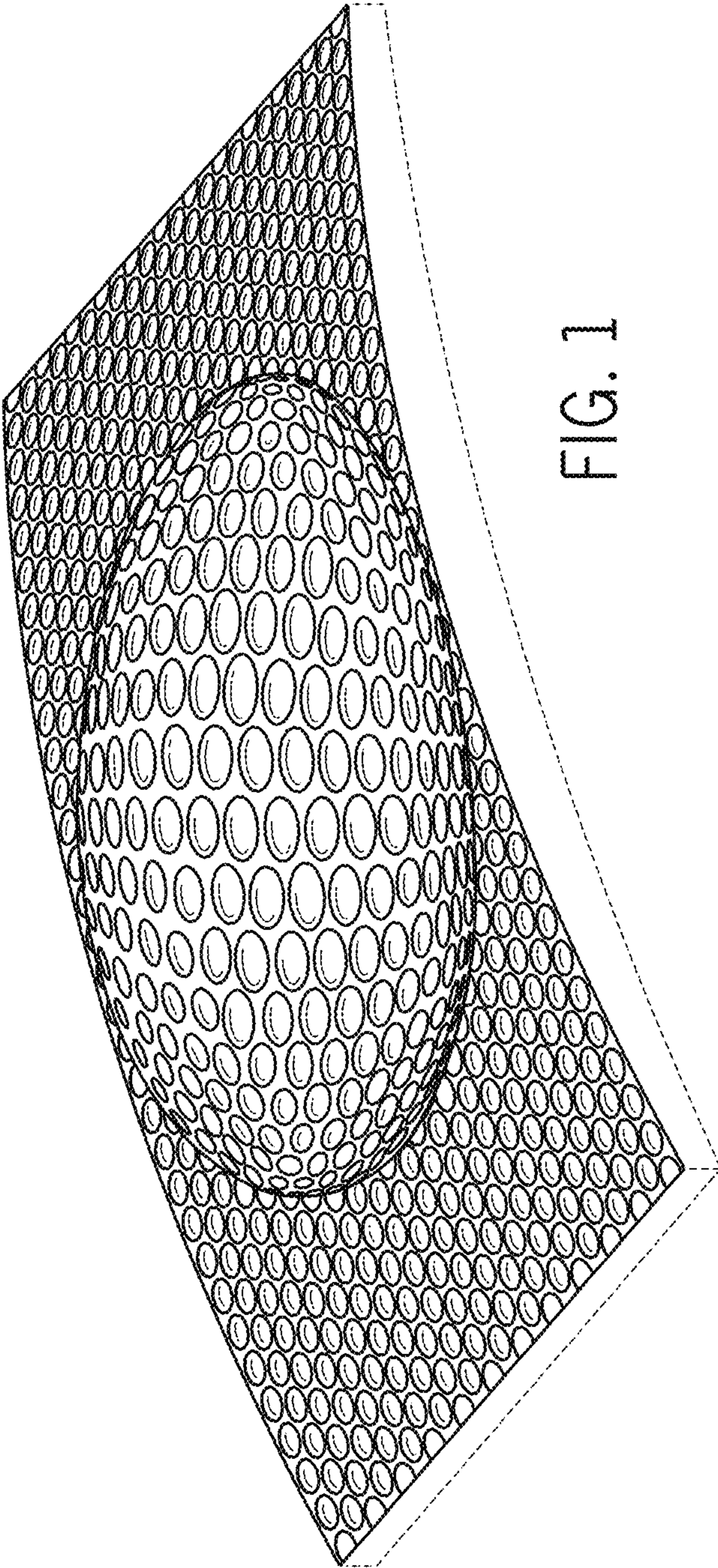


FIG. 1

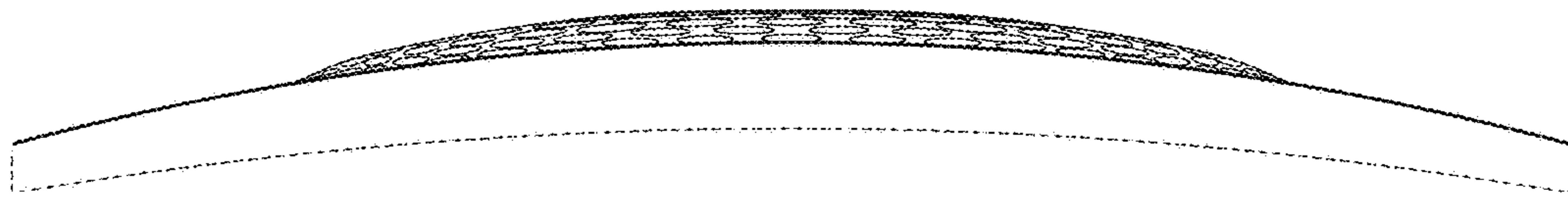


FIG. 2

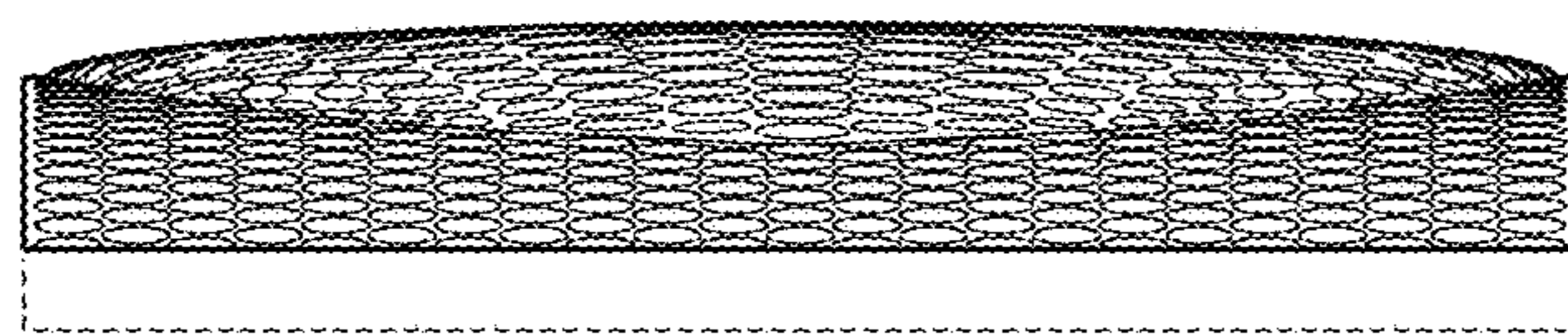


FIG. 3

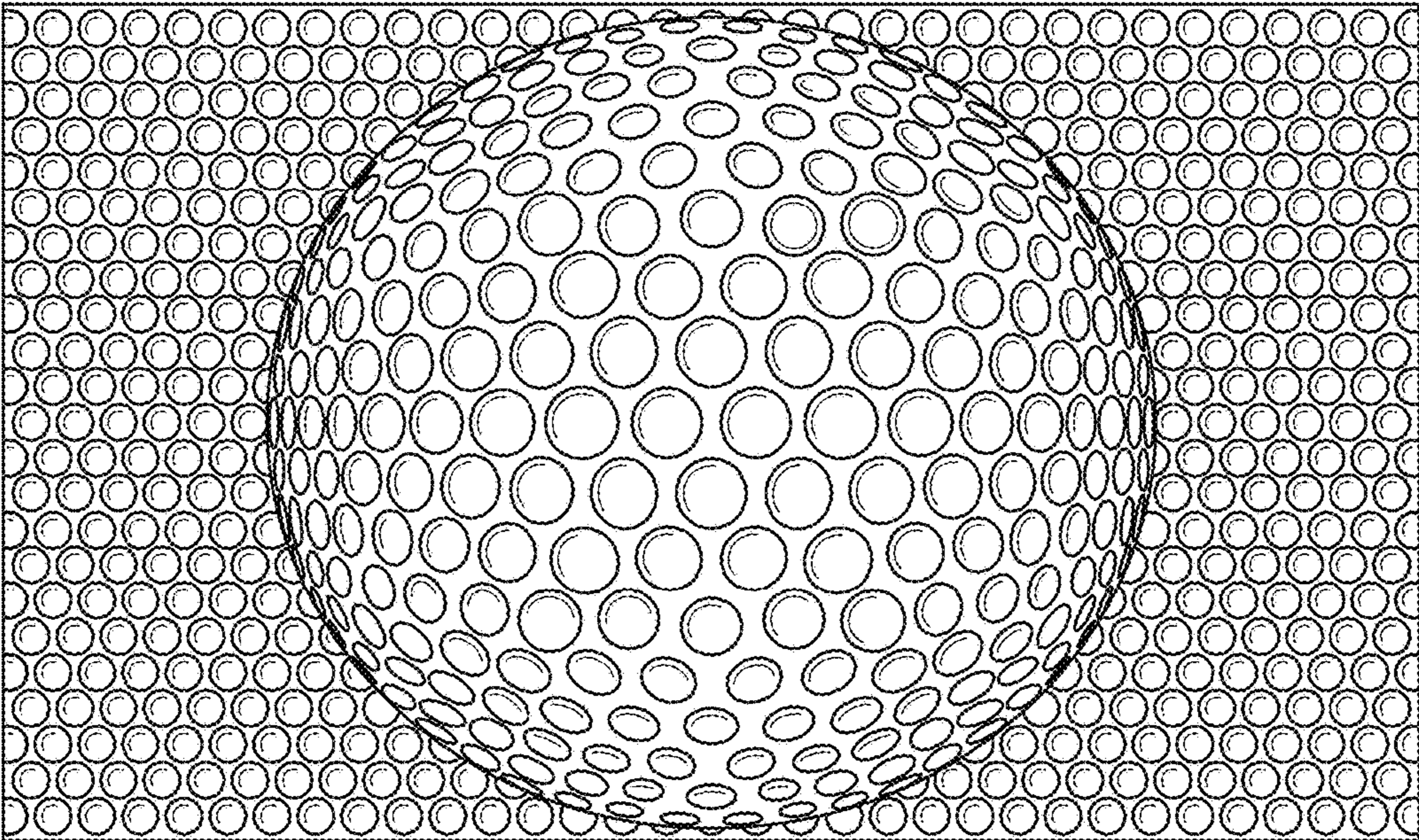


FIG. 4

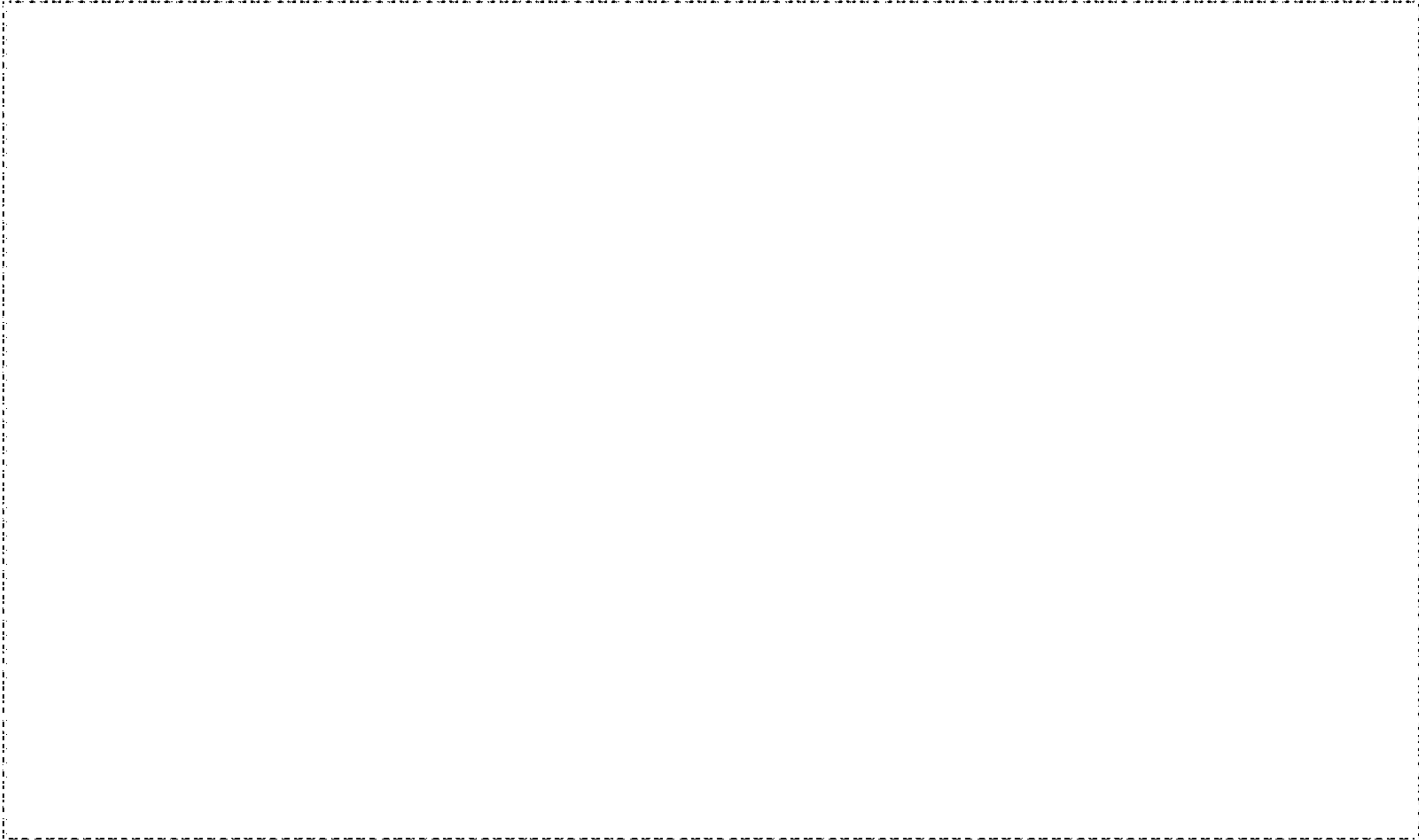


FIG. 5

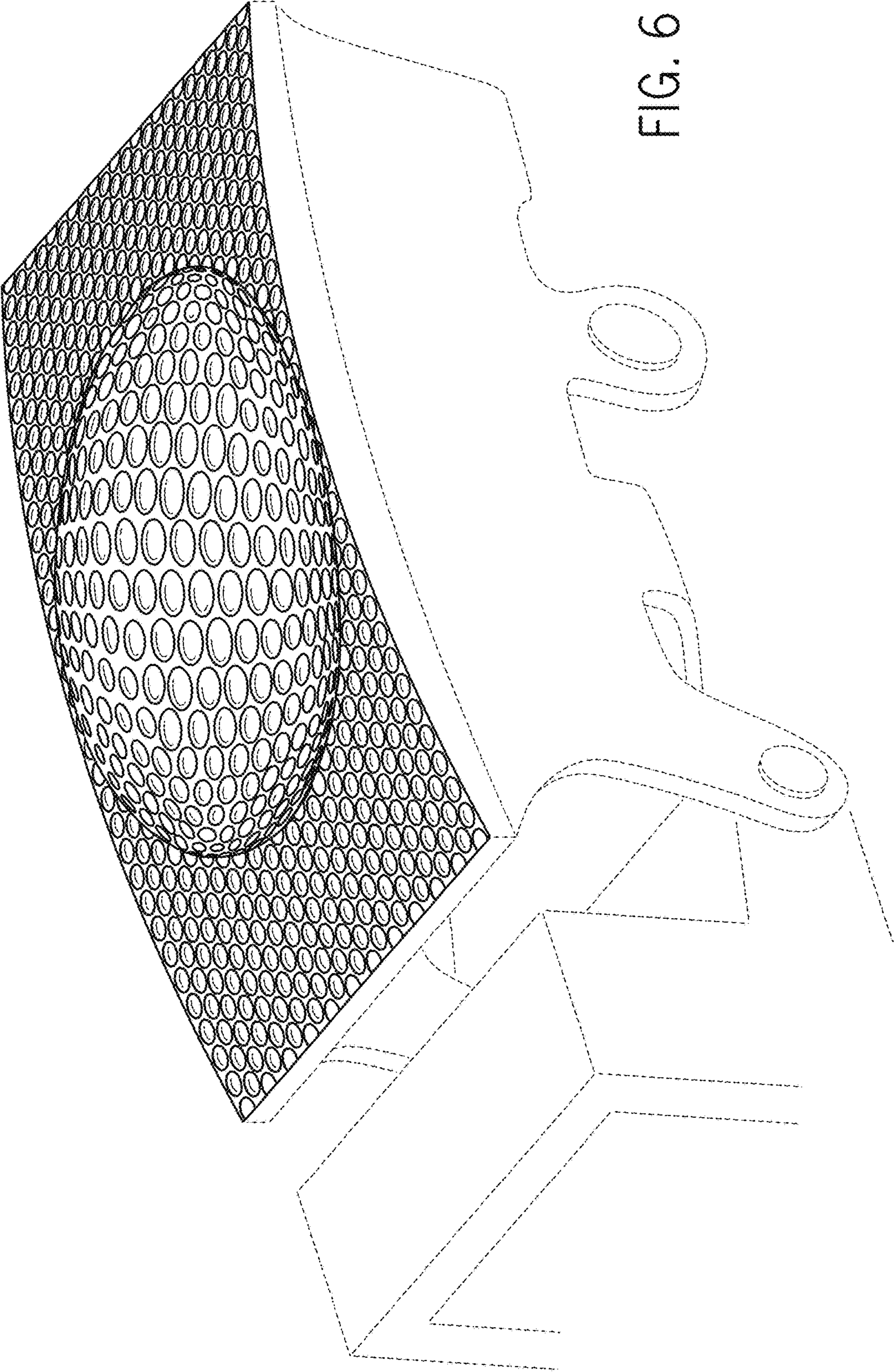


FIG. 6