



US00D791016S

(12) **United States Design Patent** (10) **Patent No.:** **US D791,016 S**
Gramatikas (45) **Date of Patent:** **** Jul. 4, 2017**

(54) **BUTTON COVER**

(71) Applicant: **MADE LOYAL, LLC**, Orlando, FL (US)

(72) Inventor: **Alexandra S. Gramatikas**, Orlando, FL (US)

(73) Assignee: **MADE LOYAL, LLC**, Orlando, FL (US)

(**) Term: **15 Years**

(21) Appl. No.: **29/560,478**

(22) Filed: **Apr. 7, 2016**

Related U.S. Application Data

(62) Division of application No. 29/509,828, filed on Nov. 21, 2014, now Pat. No. Des. 756,840, which is a division of application No. 29/422,794, filed on May 24, 2012, now Pat. No. Des. 720,255.

(51) **LOC (10) Cl.** **02-07**

(52) **U.S. Cl.**
USPC **D11/222**

(58) **Field of Classification Search**

USPC D11/220, 222-241, 200, 40, 95; 24/90.5, 24/113 MP, 113 R, 102 SL, 113 OMP, 95, 24/114.7; 63/1.17, 1.18, 33; 40/1.5, 315
CPC .. A44B 1/14; A44B 5/00; A44B 5/007; A44B 1/28; A44B 1/22; A43C 11/02; A43C 11/06; A43C 11/08; A43C 11/14; A44C 15/001; A44C 7/006; A41D 27/08
See application file for complete search history.

(56) **References Cited**

U.S. PATENT DOCUMENTS

581,111 A 4/1897 Goodwin
834,943 A 11/1906 Stienberg
1,678,265 A 7/1928 Myers et al.
1,774,033 A 8/1930 Myers et al.

(Continued)

Primary Examiner — Ian Simmons

Assistant Examiner — Mark Cavanna

(74) *Attorney, Agent, or Firm* — Nixon & Vanderhye PC

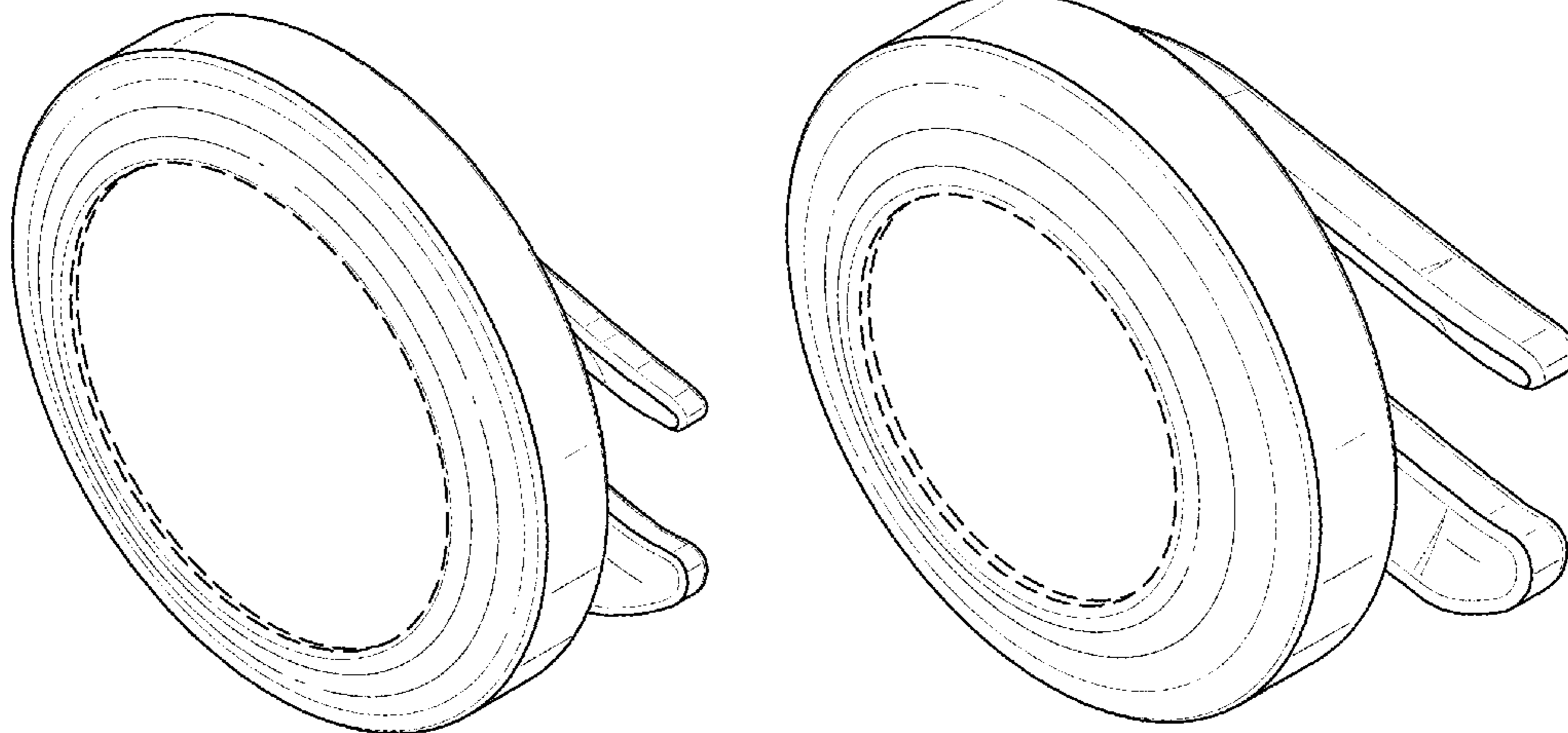
(57) **CLAIM**

The ornamental design for a button cover, as shown and described.

DESCRIPTION

FIG. 1 is a front perspective view of a button cover in accordance with a first embodiment of my design; FIG. 2 is a front elevation view thereof; FIG. 3 is a rear elevation view thereof; FIG. 4 is a top plan view thereof; FIG. 5 is a bottom plan view thereof; FIG. 6 is a cross-sectional view thereof, through the 6-6 line shown in FIG. 3; FIG. 7 is a right side view thereof; FIG. 8 is a left side view thereof; FIG. 9 is a rear perspective view thereof; FIG. 10 is a front perspective view of a button cover in accordance with a second embodiment of my design; FIG. 11 is a front elevation view thereof; FIG. 12 is a rear elevation view thereof; FIG. 13 is a top plan view thereof; FIG. 14 is a bottom plan view thereof; FIG. 15 is a cross-sectional view thereof, through the 15-15 line shown in FIG. 12; FIG. 16 is a right side view thereof; FIG. 17 is a left side view thereof; and, FIG. 18 is a rear perspective view thereof. The dashed lines shown in FIGS. 1-3, 6, 9-12, 15, and 18 represent environmental structure and form no part of the claimed design. The dotted lines shown in FIGS. 6 and 15 represent the borders between claimed subject matter and unclaimed subject matter and form no part of the claimed design.

1 Claim, 10 Drawing Sheets



(56)

References Cited

U.S. PATENT DOCUMENTS

2,453,227	A *	11/1948	Janes	A44B 1/28 24/95	5,337,584	A	8/1994	Angeli
2,577,723	A	12/1951	Groh et al.		5,379,611	A	1/1995	Impagliazzo
2,751,654	A	6/1956	Armbruster		5,394,719	A	3/1995	Fang
2,880,487	A	4/1959	Ryan		5,621,951	A	4/1997	Gould
3,316,601	A	5/1967	Ryan		D396,202	S	7/1998	Lindsay
3,343,230	A	9/1967	Darvie		5,901,417	A	5/1999	Alexiou
3,353,231	A	11/1967	Levine		6,035,494	A	3/2000	Duke et al.
3,543,354	A	12/1970	Schuchman, Sr. et al.		D475,322	S	6/2003	Ouellette et al.
3,777,336	A	12/1973	Anderson		D712,308	S *	9/2014	Weber D11/222
3,934,313	A	1/1976	Hocq		D739,788	S *	9/2015	Tang D11/222
4,471,510	A *	9/1984	DeRosa	A44B 1/22 24/114.7	D740,172	S *	10/2015	Tang A44B 1/14 D11/222
4,539,731	A	9/1985	Torrini		D745,434	S *	12/2015	Tang D11/222
4,969,241	A	11/1990	Griffin		D763,730	S *	8/2016	Nielsen D11/222
5,033,168	A	7/1991	Sbragi		2004/0226145	A1	11/2004	Ouellette et al.
5,161,285	A	11/1992	Jerjian		2008/0313864	A1	12/2008	Suter
					2011/0000052	A1	1/2011	Suter
					2011/0277502	A1	11/2011	Welikson
					2012/0117763	A1	5/2012	Patel
					2012/0240356	A1	9/2012	Nathanson

* cited by examiner

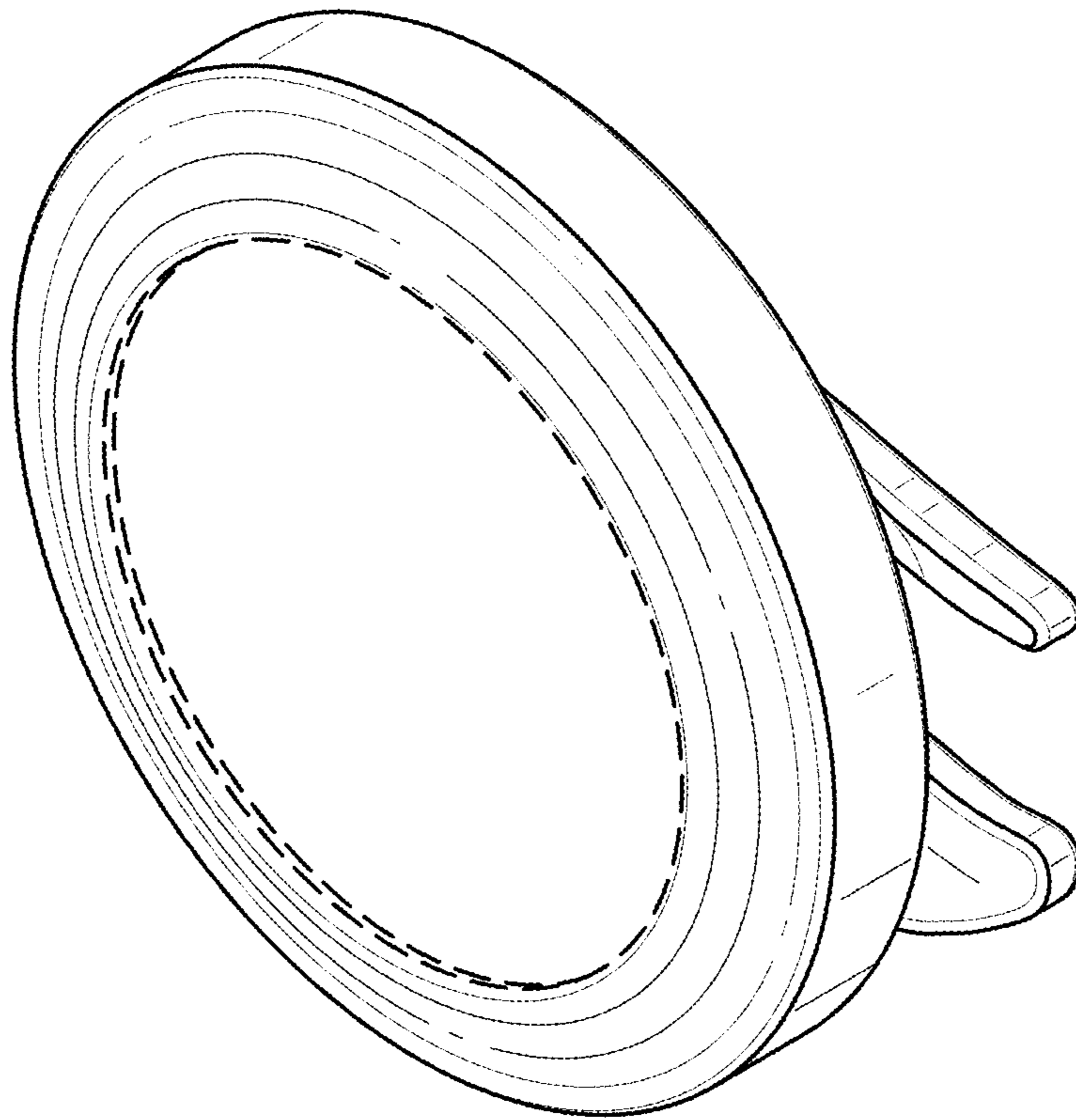


Fig. 1

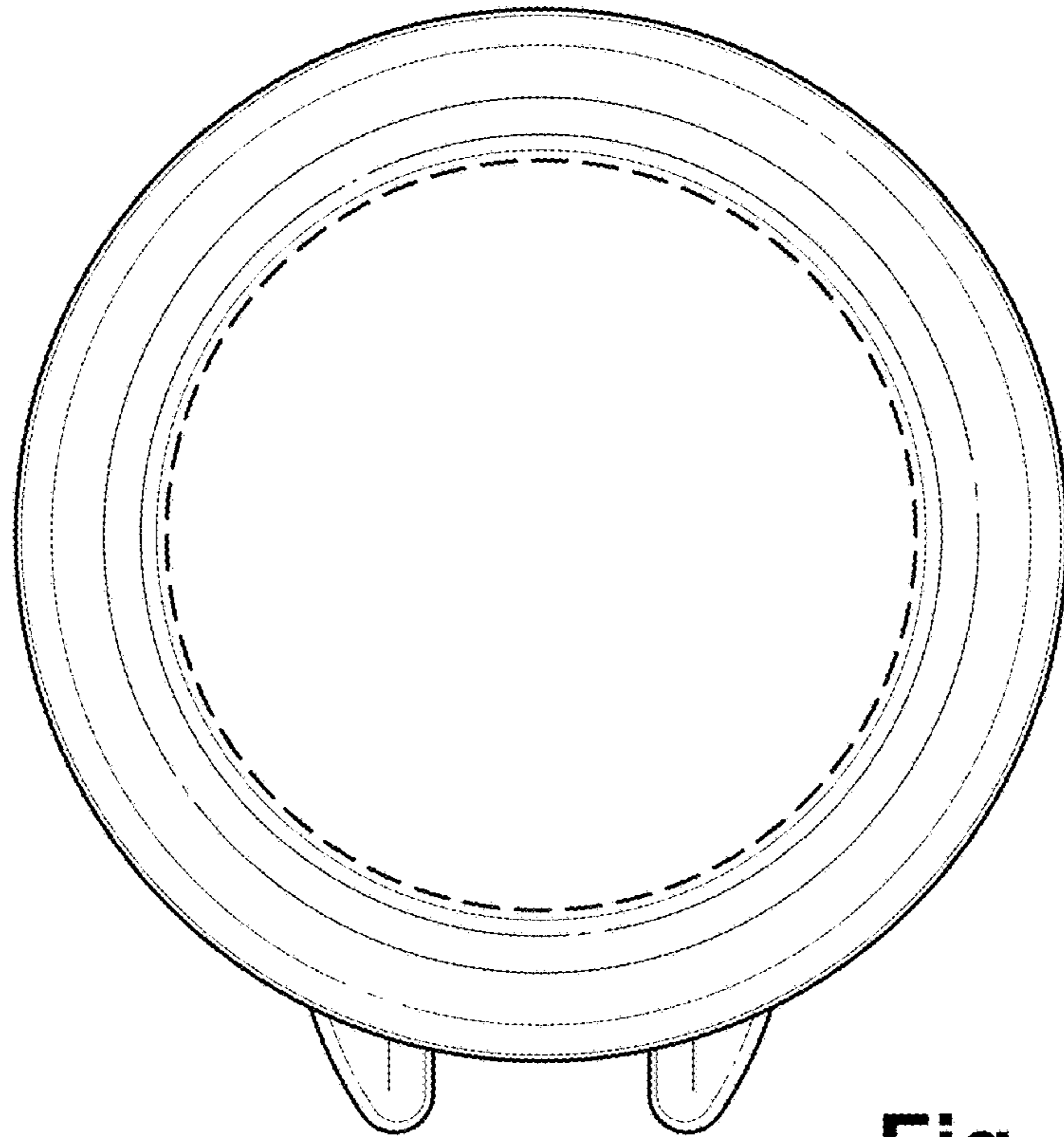


Fig. 2

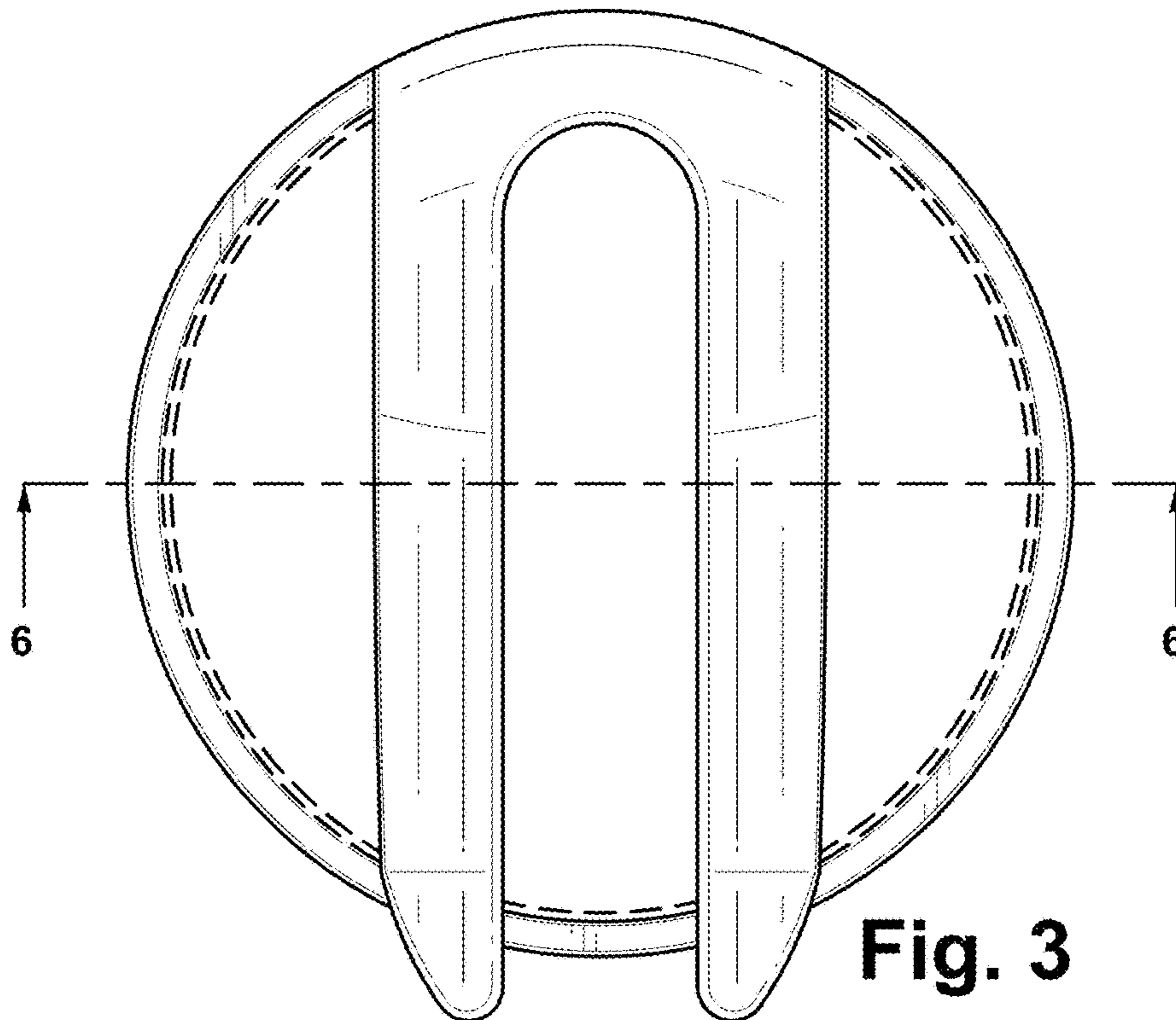


Fig. 3

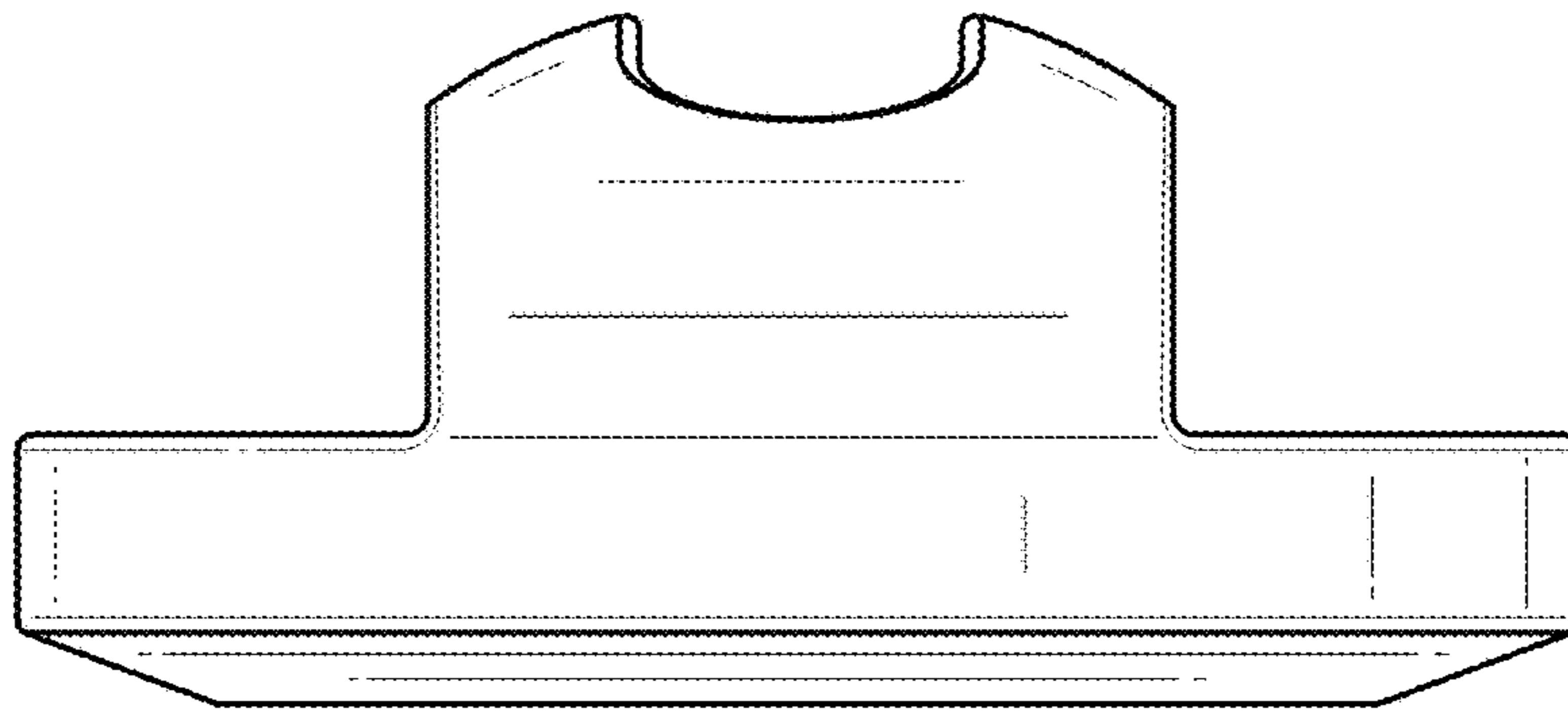


Fig. 4

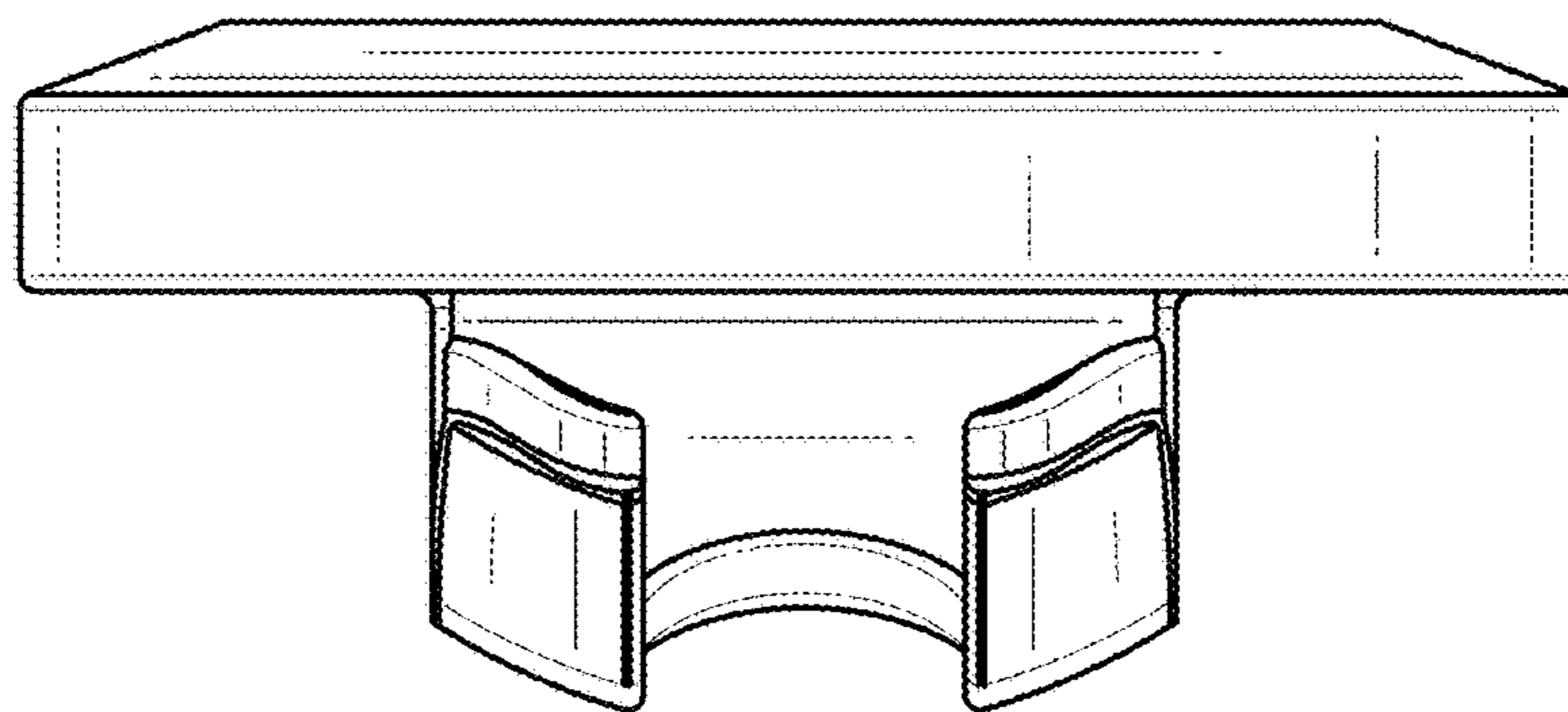


Fig. 5

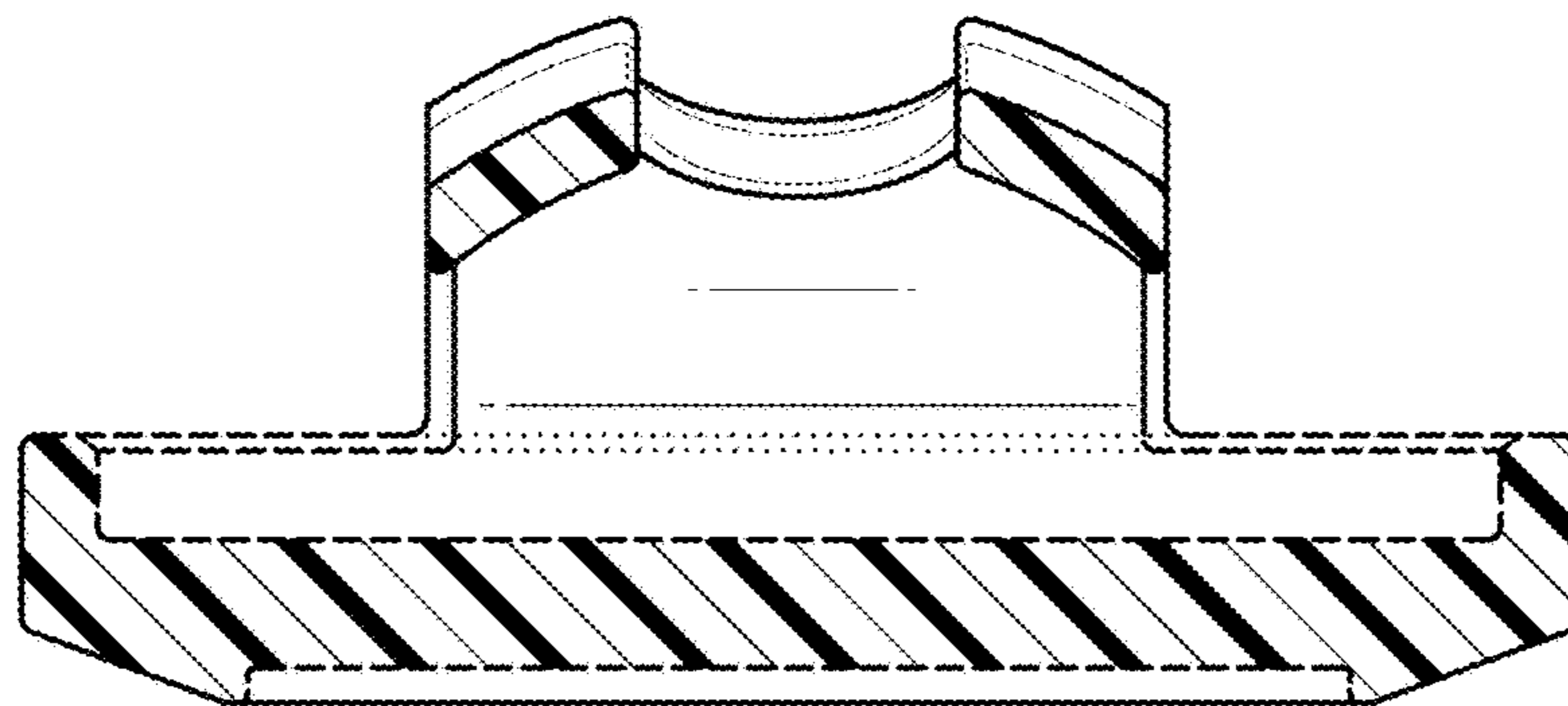


Fig. 6

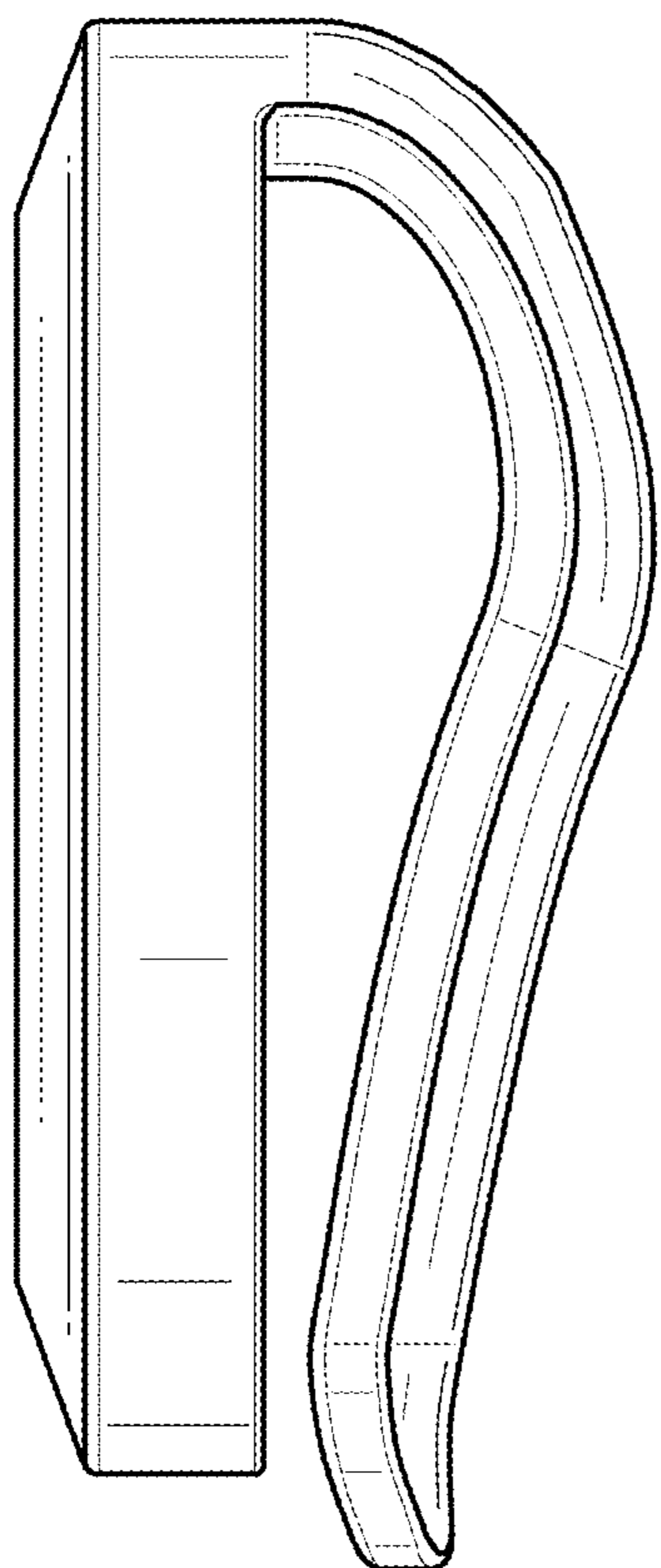


Fig. 7

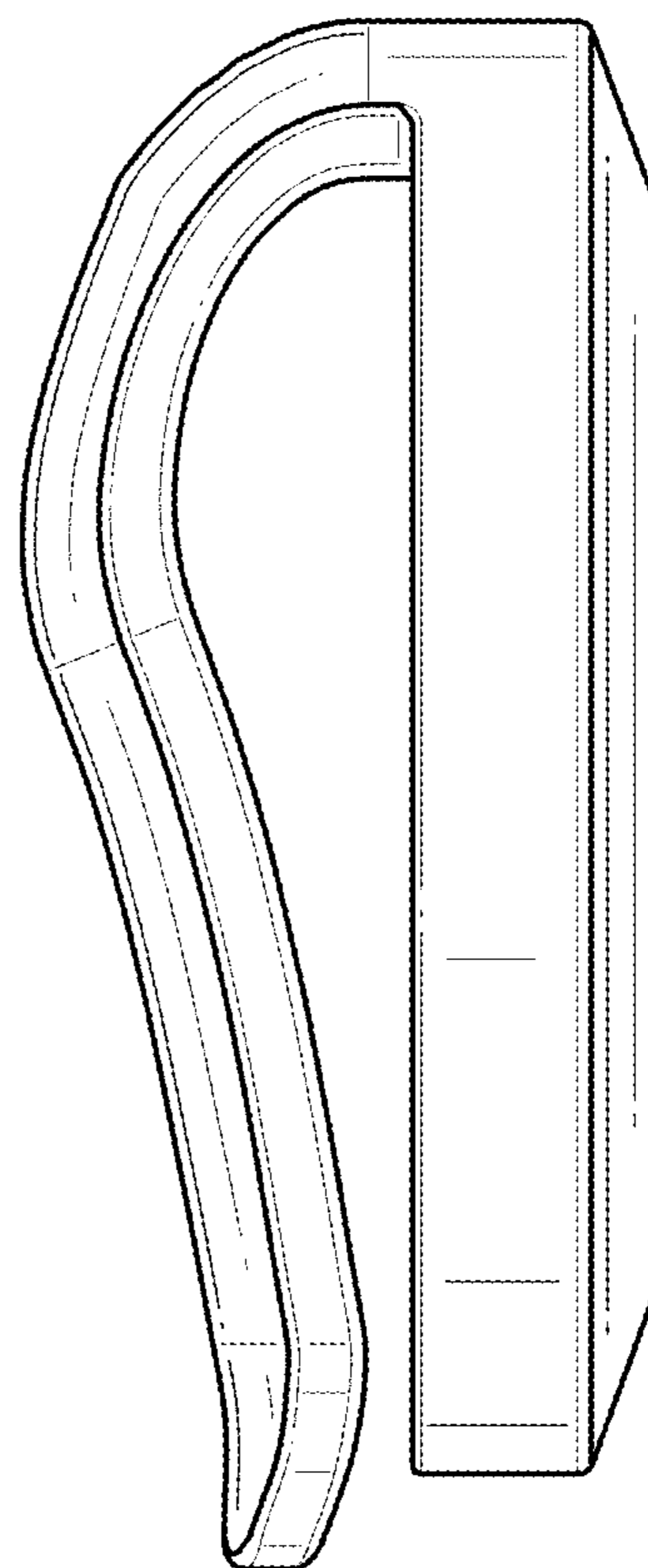


Fig. 8

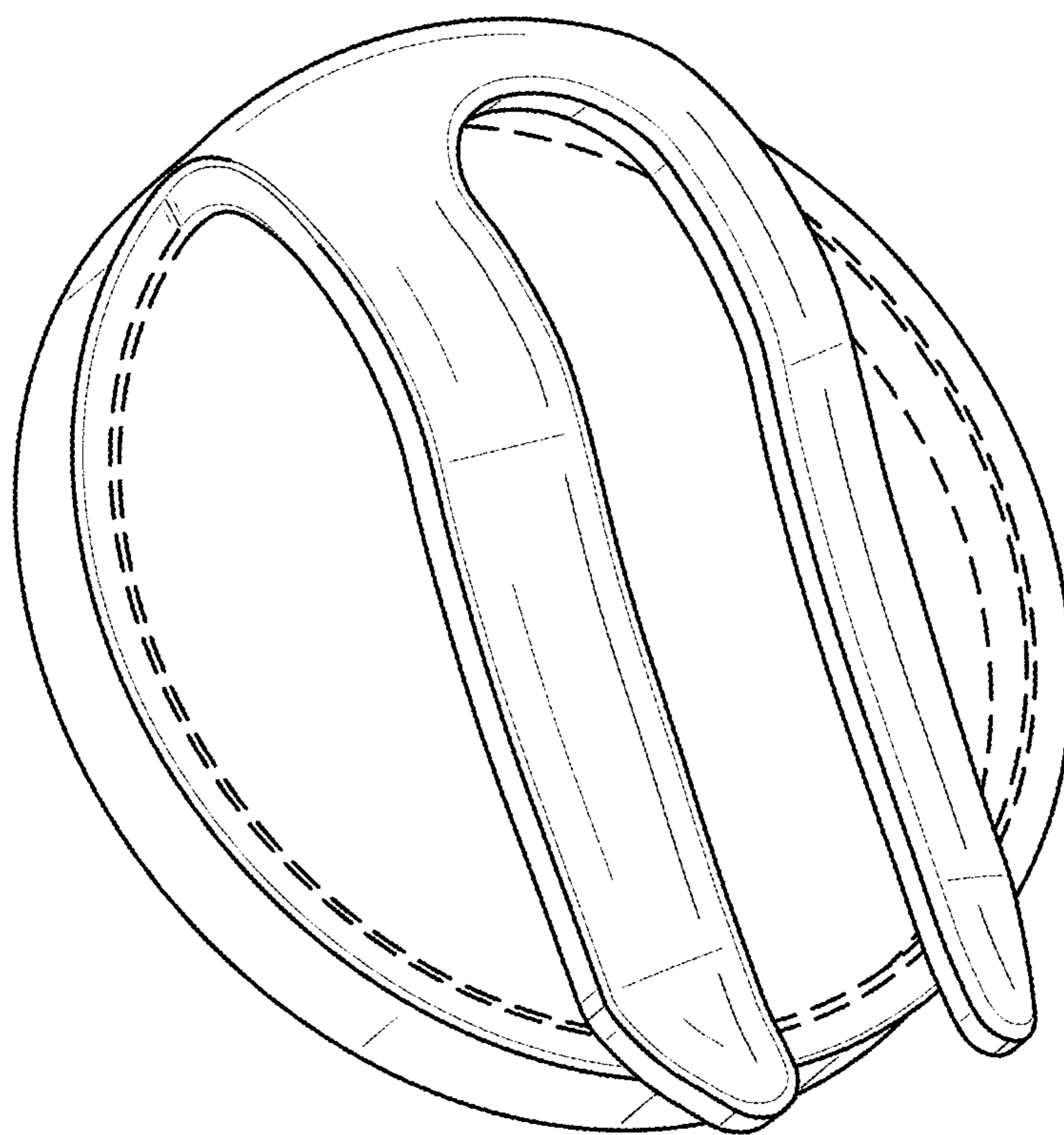


Fig. 9

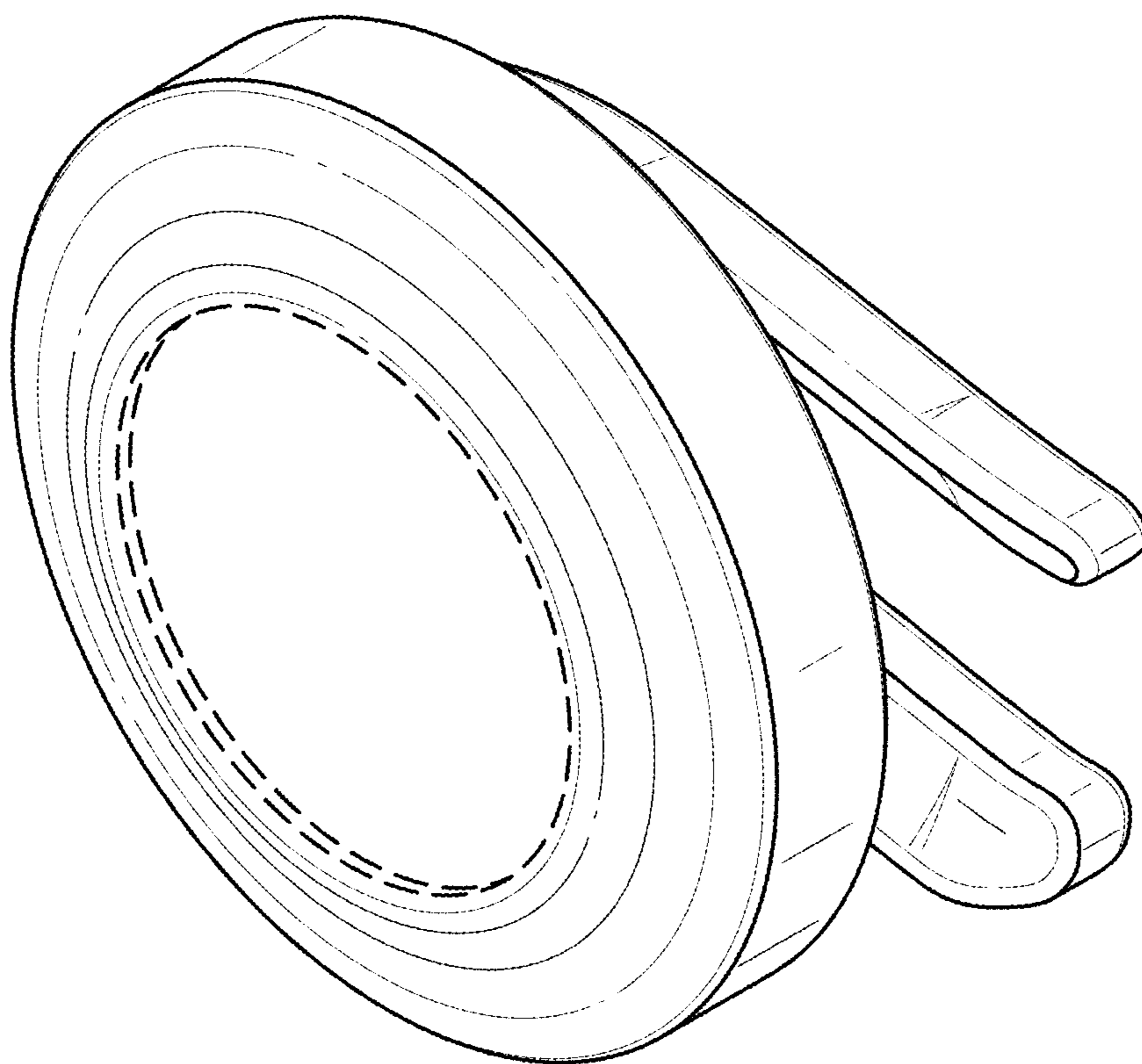


Fig. 10

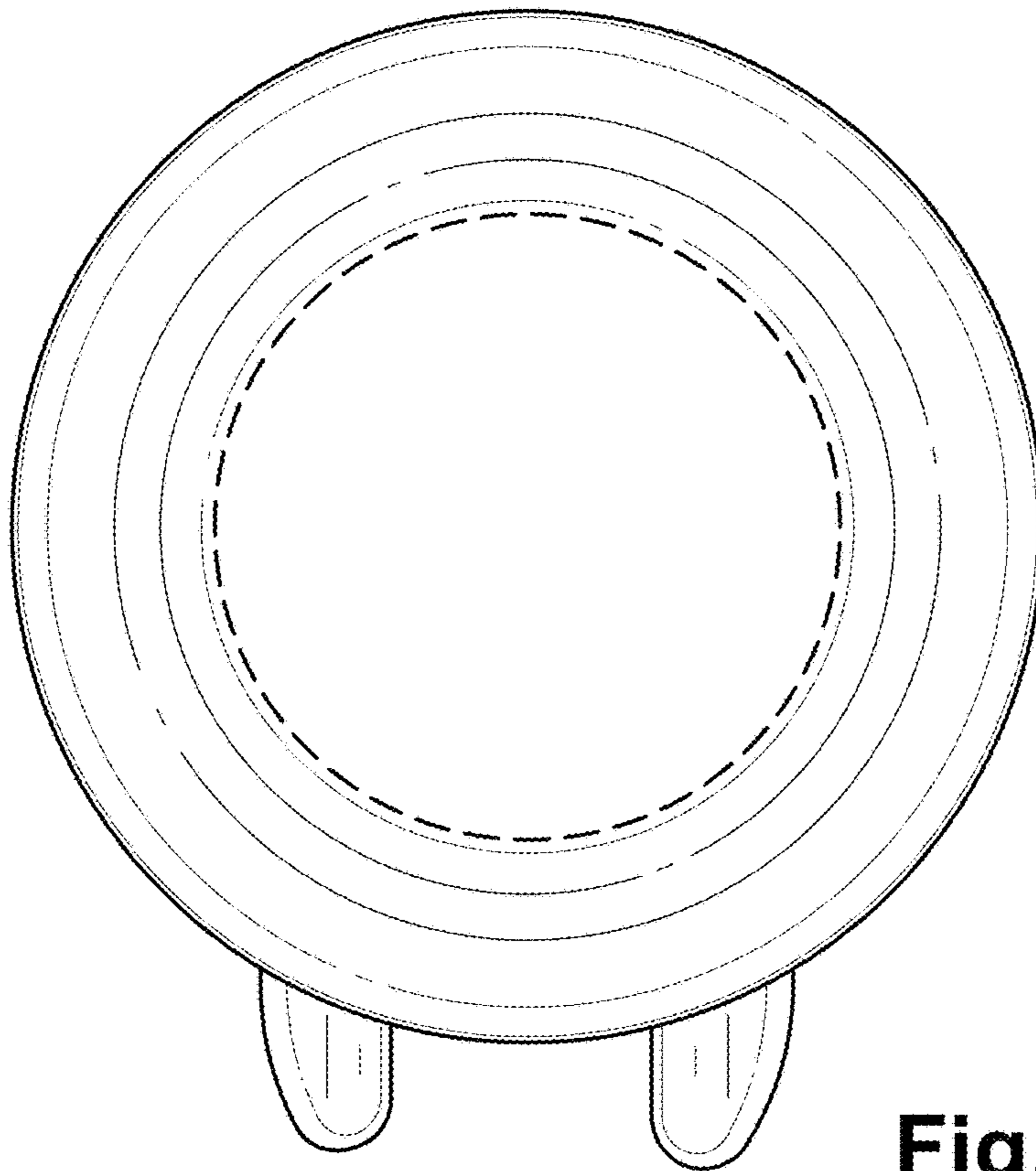


Fig. 11

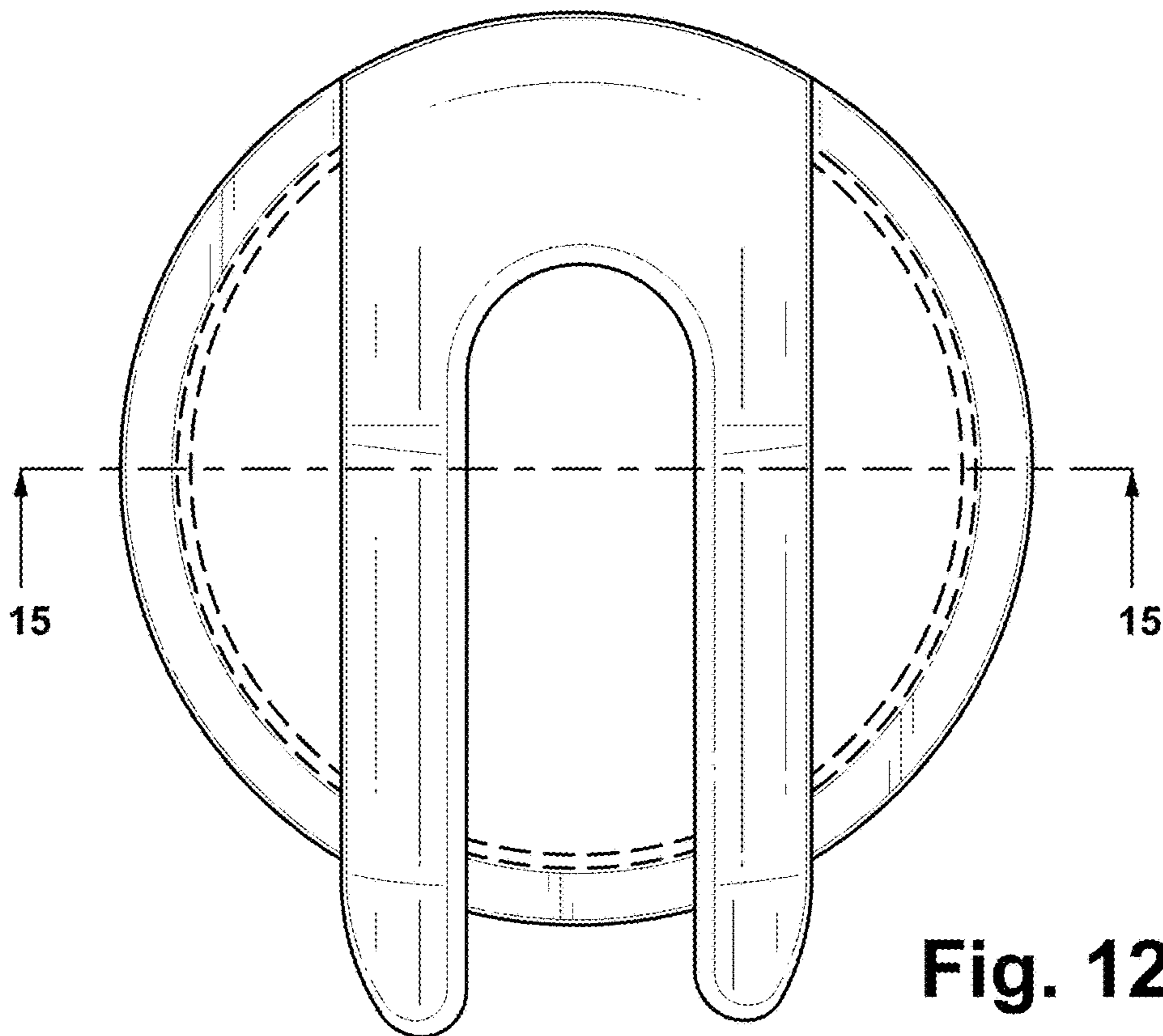


Fig. 12

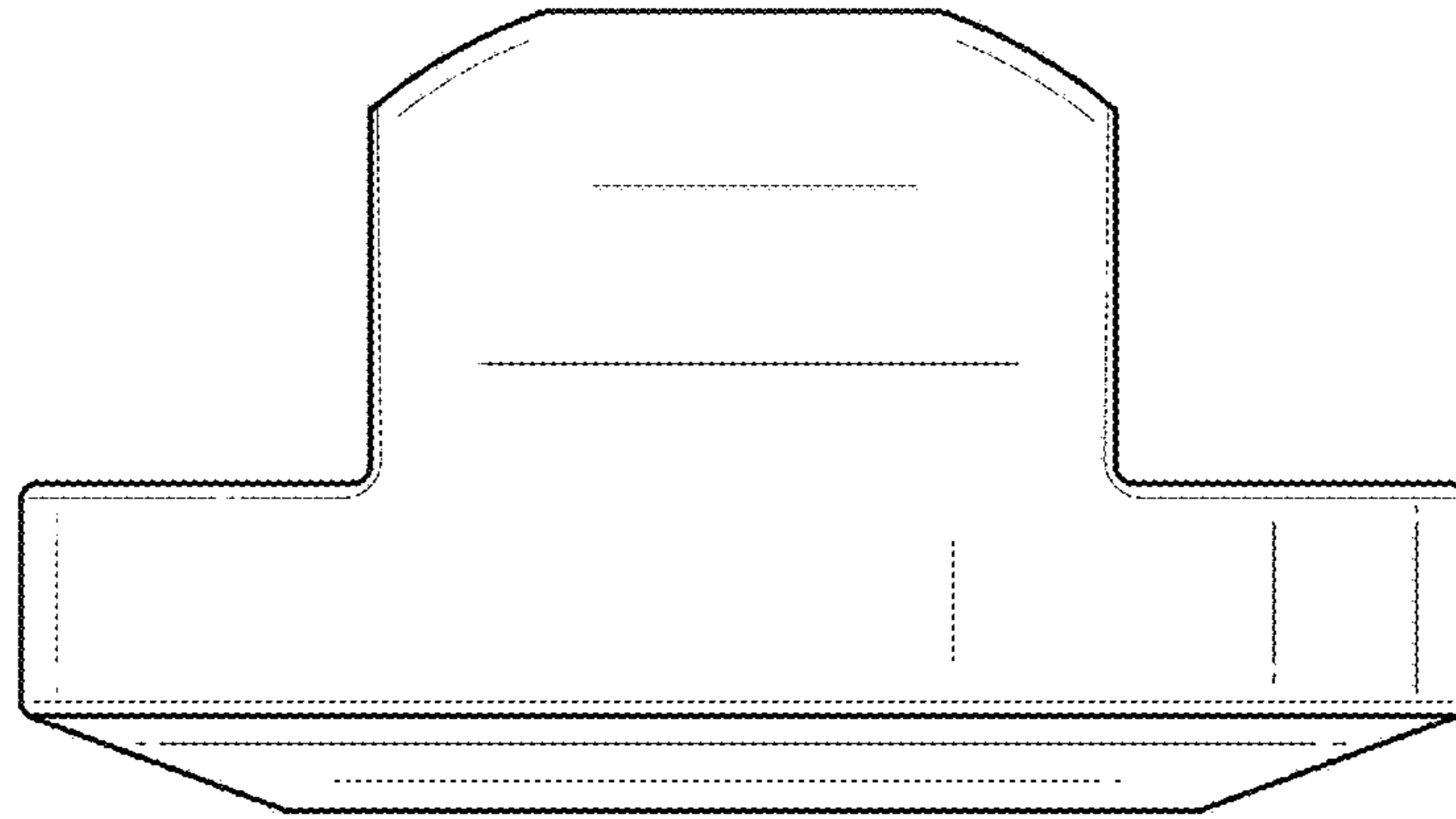


Fig. 13

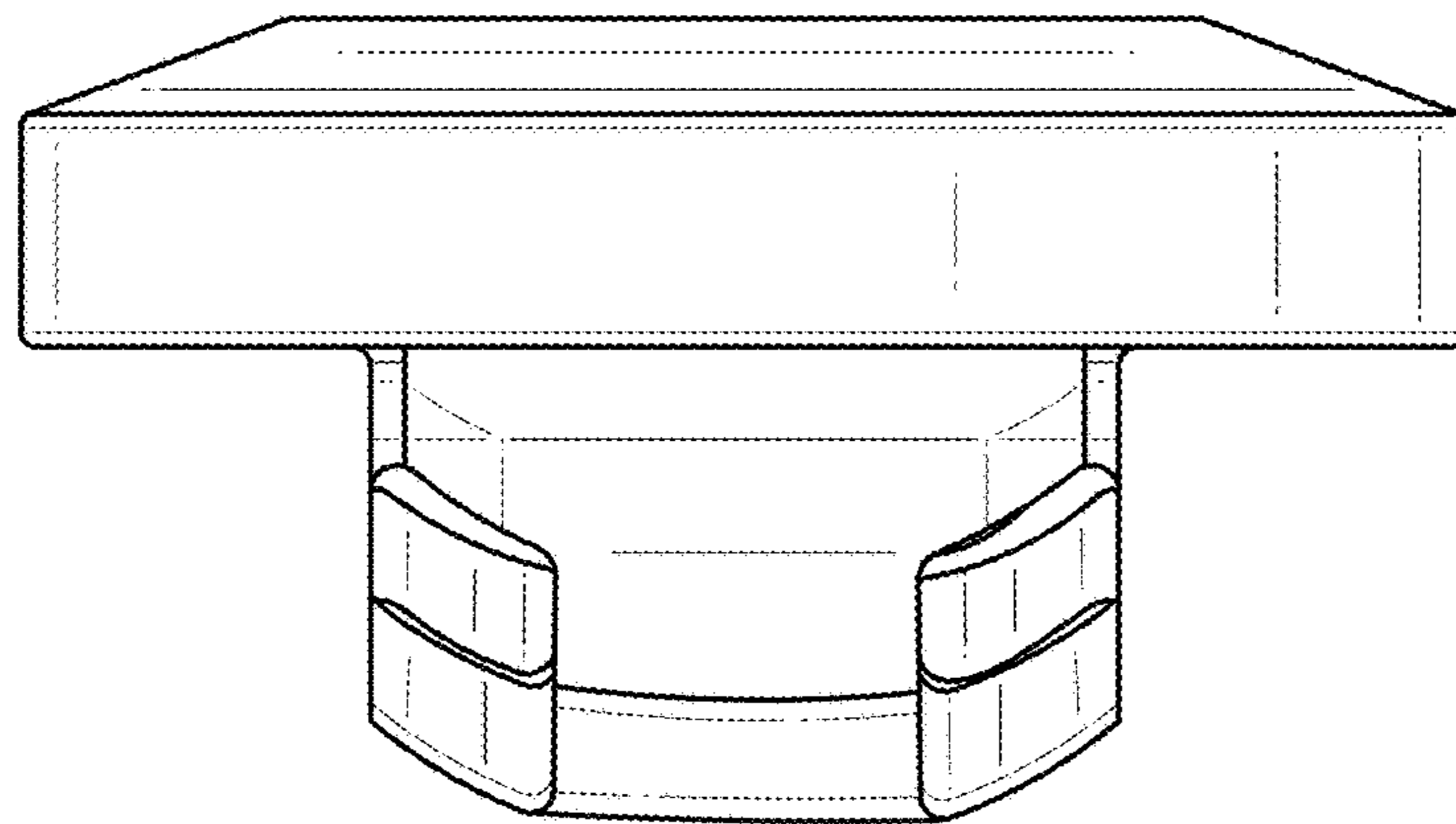


Fig. 14

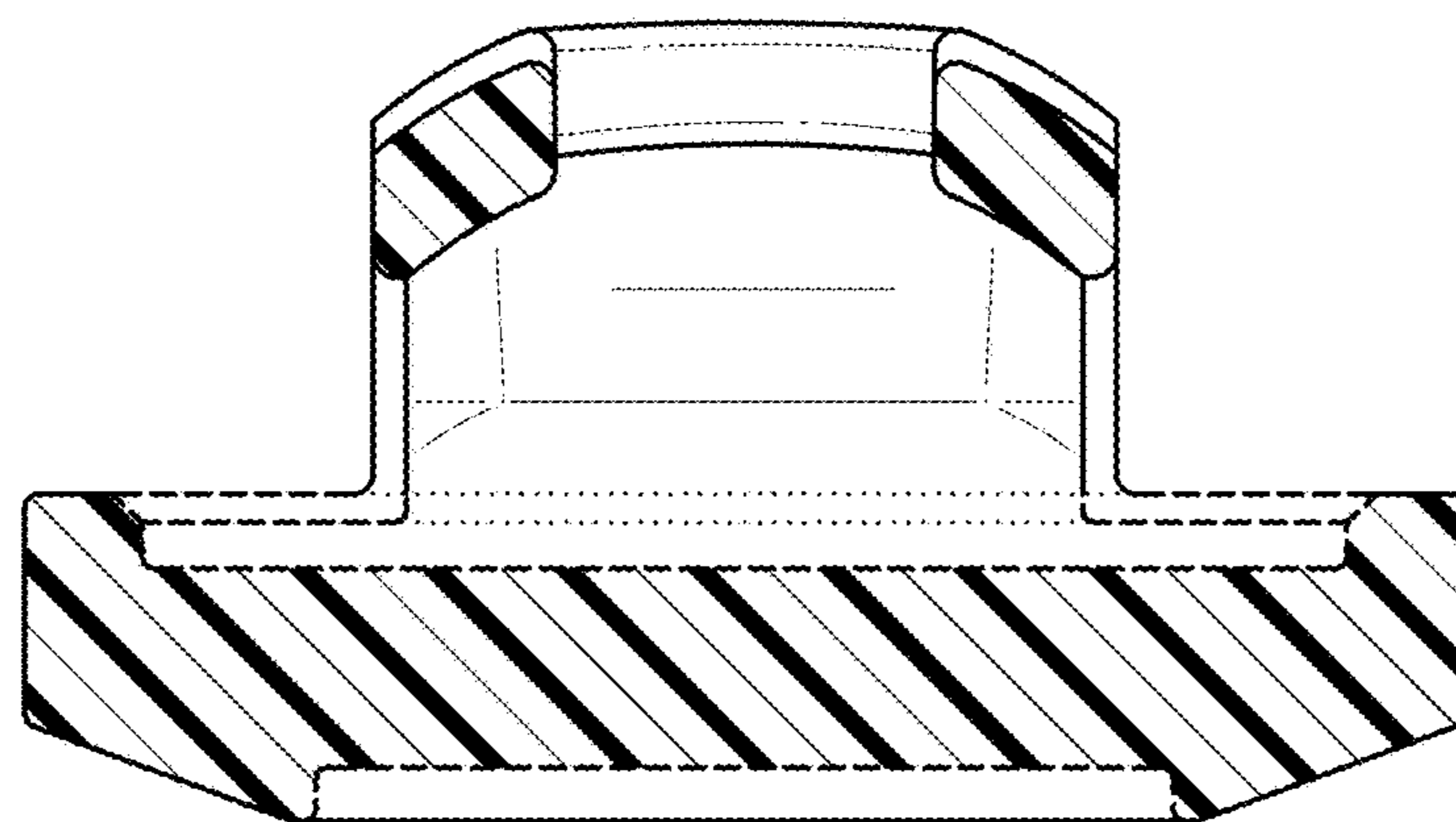


Fig. 15

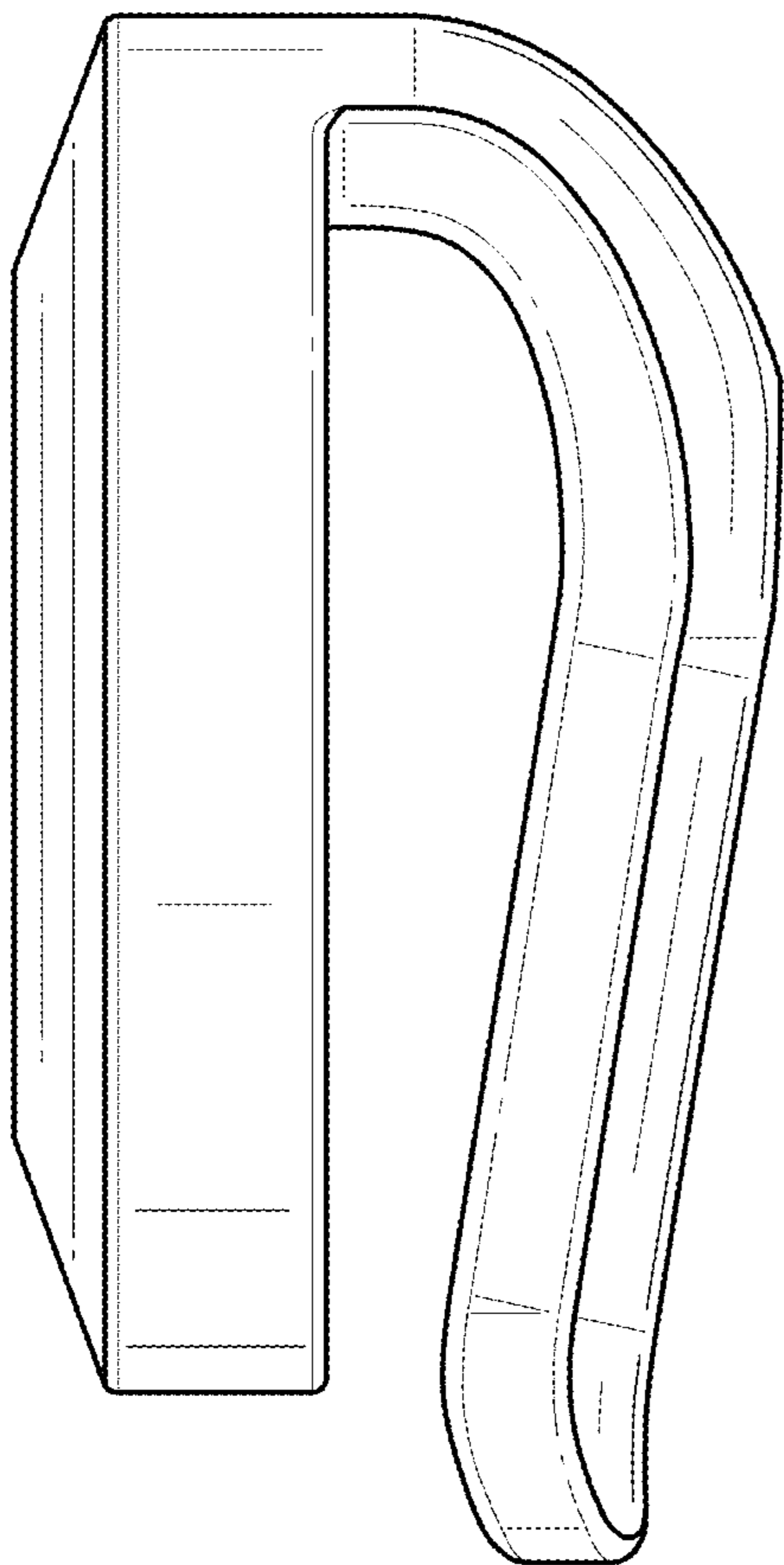


Fig. 16

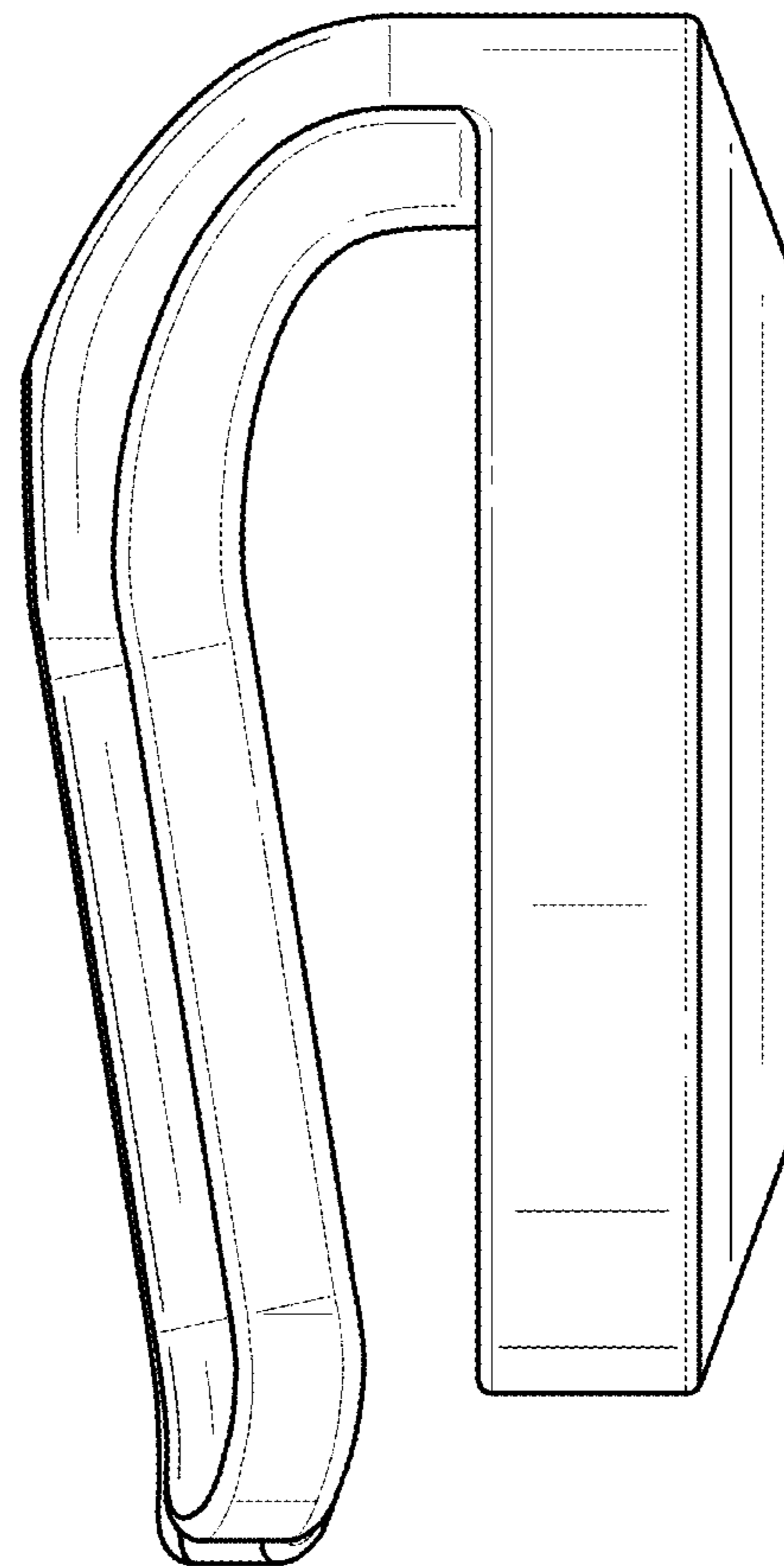


Fig. 17

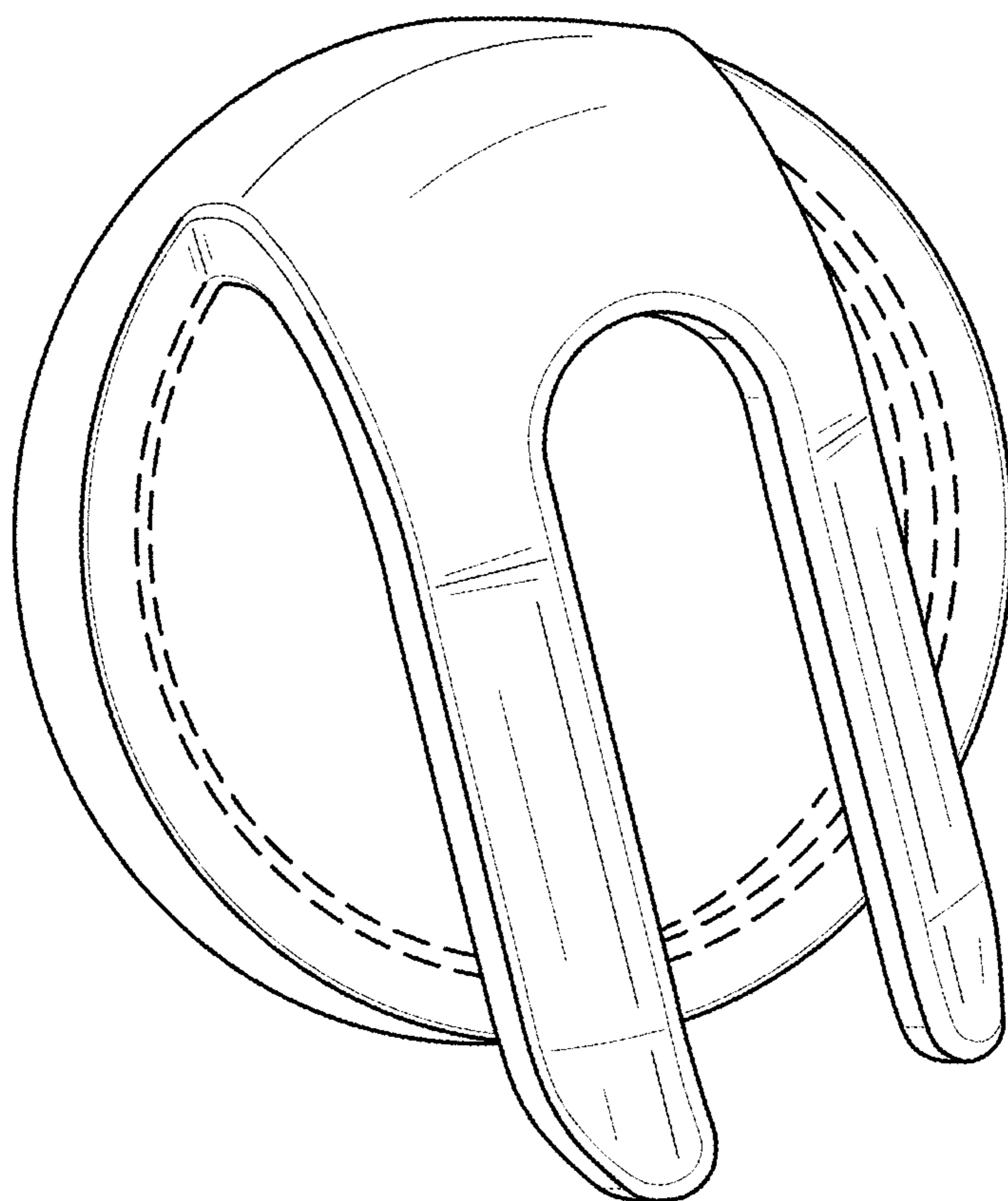


Fig. 18