



US00D791014S

(12) **United States Design Patent**  
**Hoffman**

(10) **Patent No.:** **US D791,014 S**

(45) **Date of Patent:** **\*\* Jul. 4, 2017**

(54) **PLANT HANGER**

(71) Applicant: **Erin K. Hoffman**, Warren, PA (US)

(72) Inventor: **Erin K. Hoffman**, Warren, PA (US)

(\*\*) Term: **15 Years**

(21) Appl. No.: **29/566,892**

(22) Filed: **Jun. 3, 2016**

(51) **LOC (10) Cl.** ..... **11-02**

(52) **U.S. Cl.**  
USPC ..... **D11/148**

(58) **Field of Classification Search**  
USPC ..... D11/131, 143, 148, 152; D6/329, 403,  
D6/405, 512, 556, 557; D3/5, 10; 47/65,  
47/65.5, 67  
CPC ..... A47G 7/047; A47G 7/045; A47G 7/02  
See application file for complete search history.

(56) **References Cited**

U.S. PATENT DOCUMENTS

4,102,081	A *	7/1978	Morrow	.....	A01G 9/02 47/67
4,227,343	A *	10/1980	Espy	.....	A01G 9/00 185/27
4,811,475	A *	3/1989	Morton, Jr.	.....	A47G 7/047 248/217.3
5,329,728	A *	7/1994	Ray	.....	A47G 7/047 24/555
5,743,044	A *	4/1998	Hopkins	.....	A47G 7/047 47/67
D453,415	S *	2/2002	You	.....	D3/5
6,520,193	B2 *	2/2003	You	.....	A45B 25/22 135/33.4

D517,343	S *	3/2006	Hayes	.....	D6/403
D611,877	S *	3/2010	White	.....	D11/148
8,191,849	B1 *	6/2012	Lembke	.....	A47G 7/047 248/304
D696,510	S *	12/2013	Su	.....	D3/5
D721,885	S *	2/2015	Ranginwala	.....	D3/16

\* cited by examiner

*Primary Examiner* — Susan Bennett Hattan

*Assistant Examiner* — Rebecca Tsehaye

(74) *Attorney, Agent, or Firm* — The Bilicki Law Firm,  
P.C.; Carl A. Hjort, III

(57) **CLAIM**

The ornamental design for a plant hanger, as shown and described.

**DESCRIPTION**

FIG. 1 is a top perspective view of a plant hanger according to the present design, the plant pot shown in dashed lines is for illustration purposes only and forms no part of the present invention;

FIG. 2 is a bottom perspective view of the plant hanger according to the present design, the plant pot shown in dashed lines is for illustration purposes only and forms no part of the present invention;

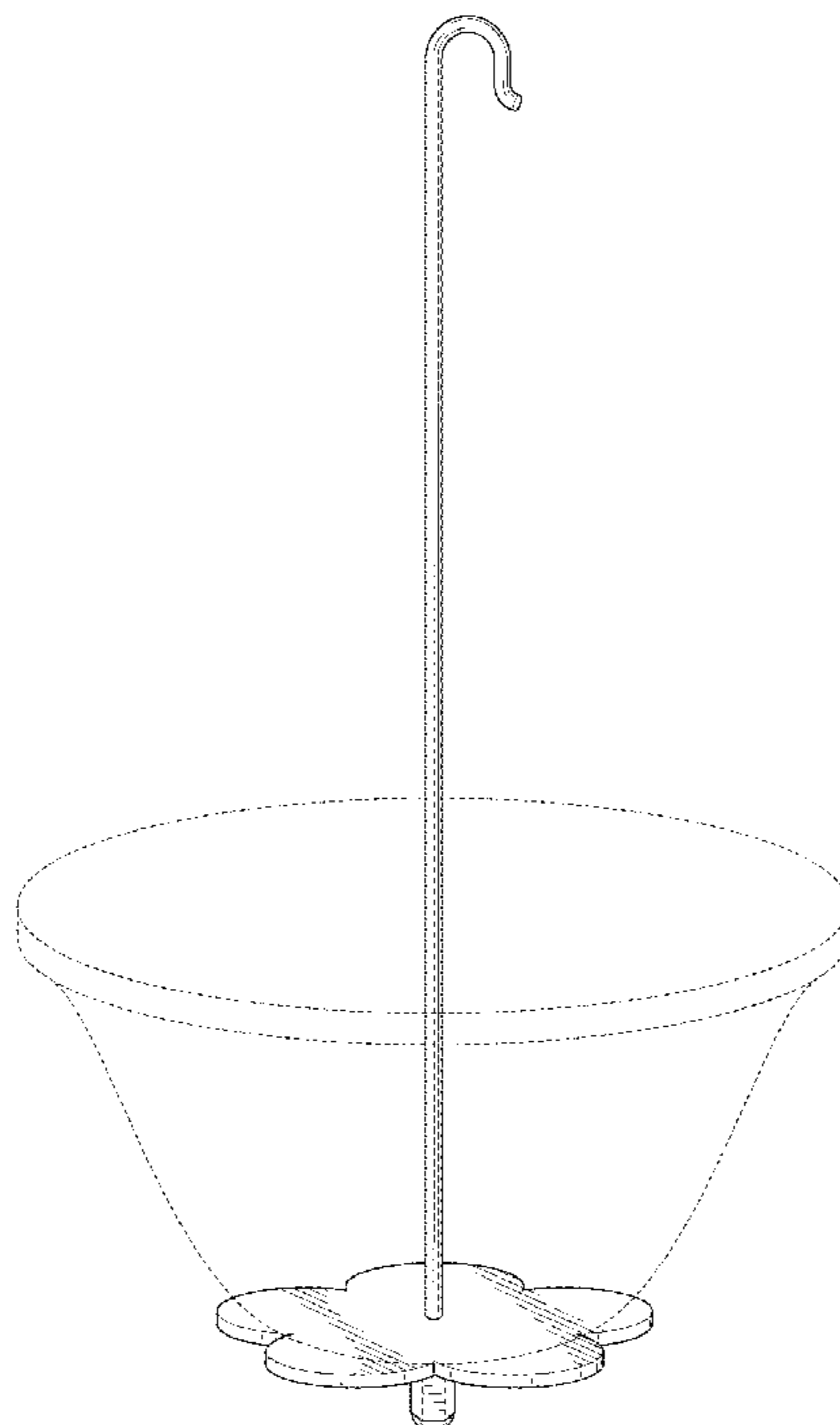
FIG. 3 is a side elevational view of the plant hanger according to the present design;

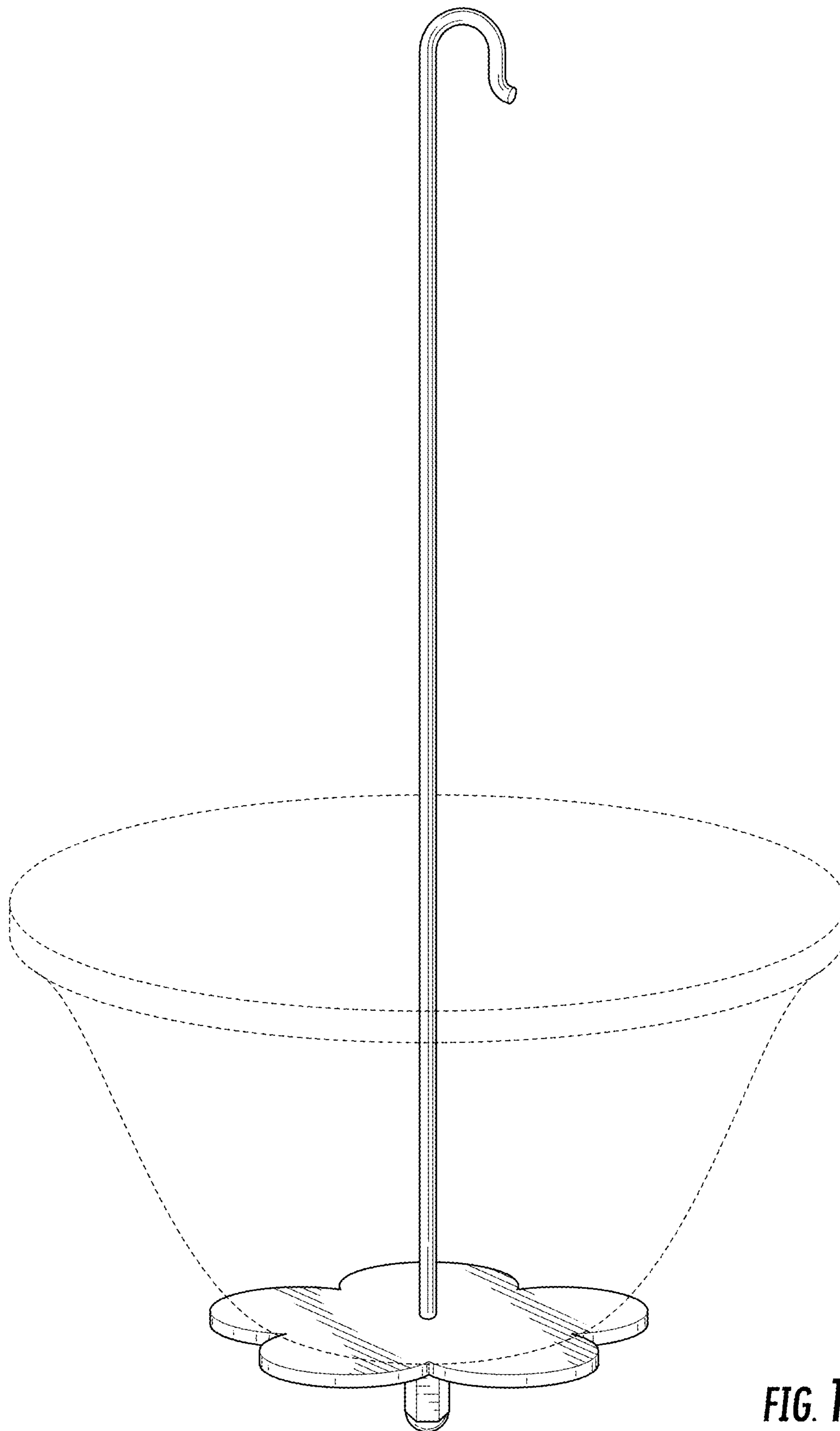
FIG. 4 is a top plan view of the plant hanger according to the present design;

FIG. 5 is a bottom plan view of the plant hanger according to the present design; and,

FIG. 6 is a bottom exploded perspective view of the plant hanger according to the present design.

**1 Claim, 5 Drawing Sheets**





**FIG. 1**

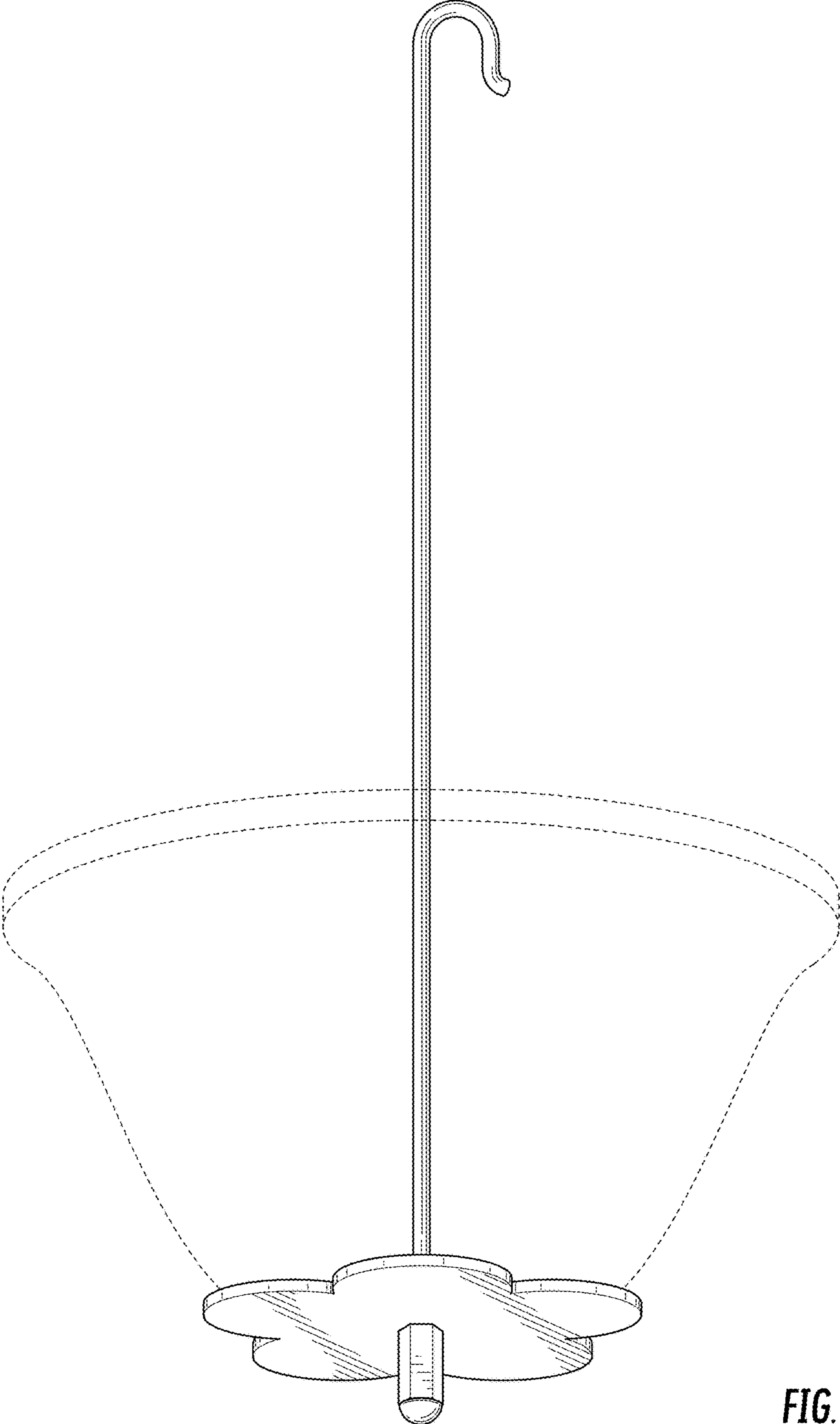
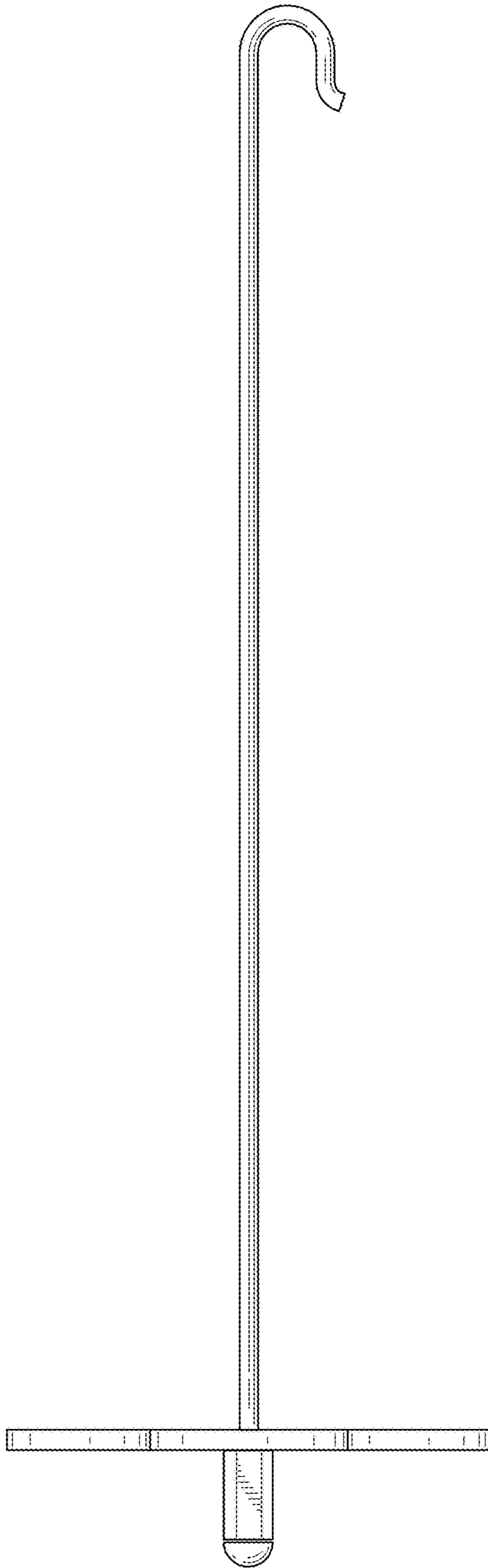
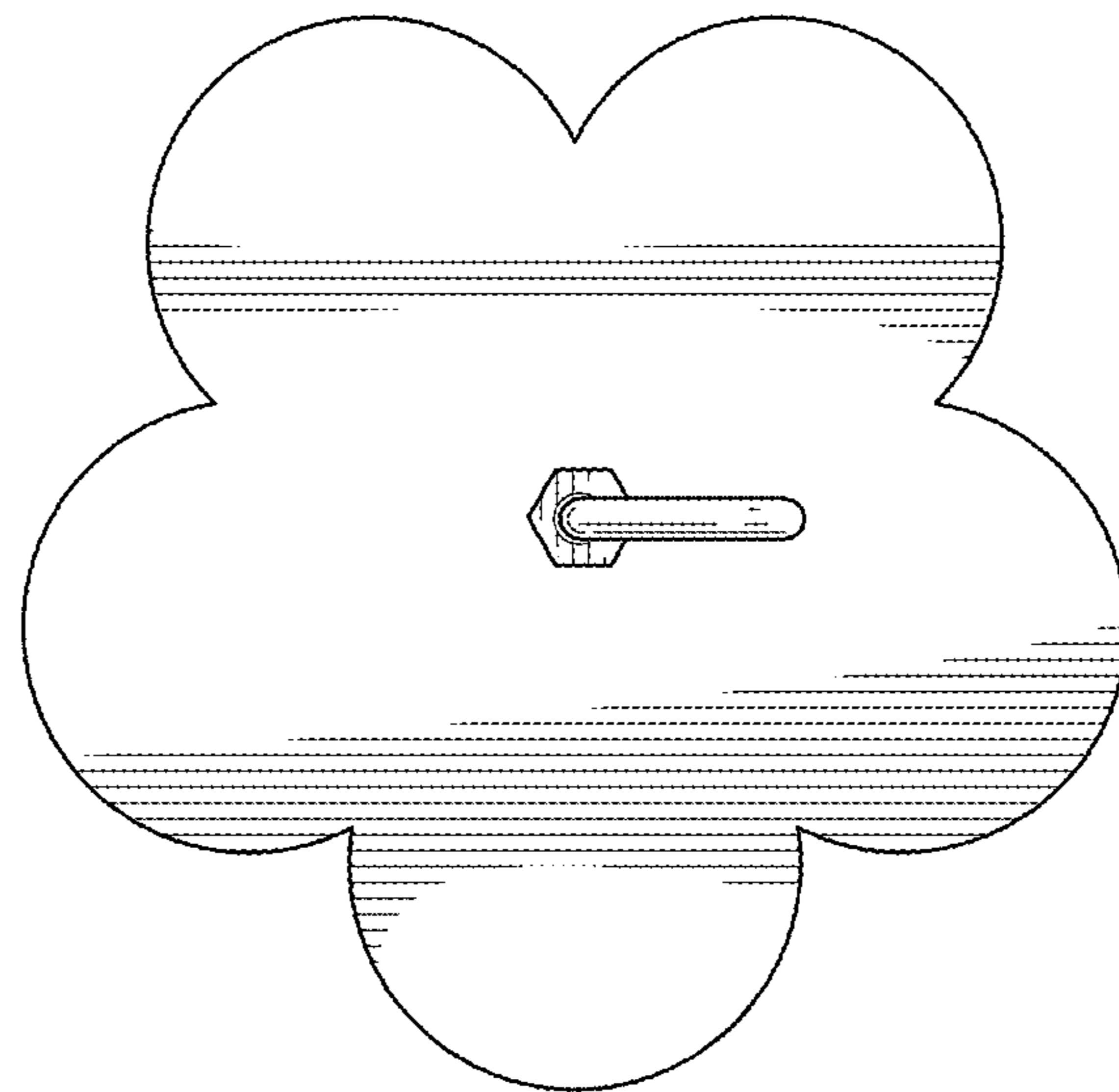


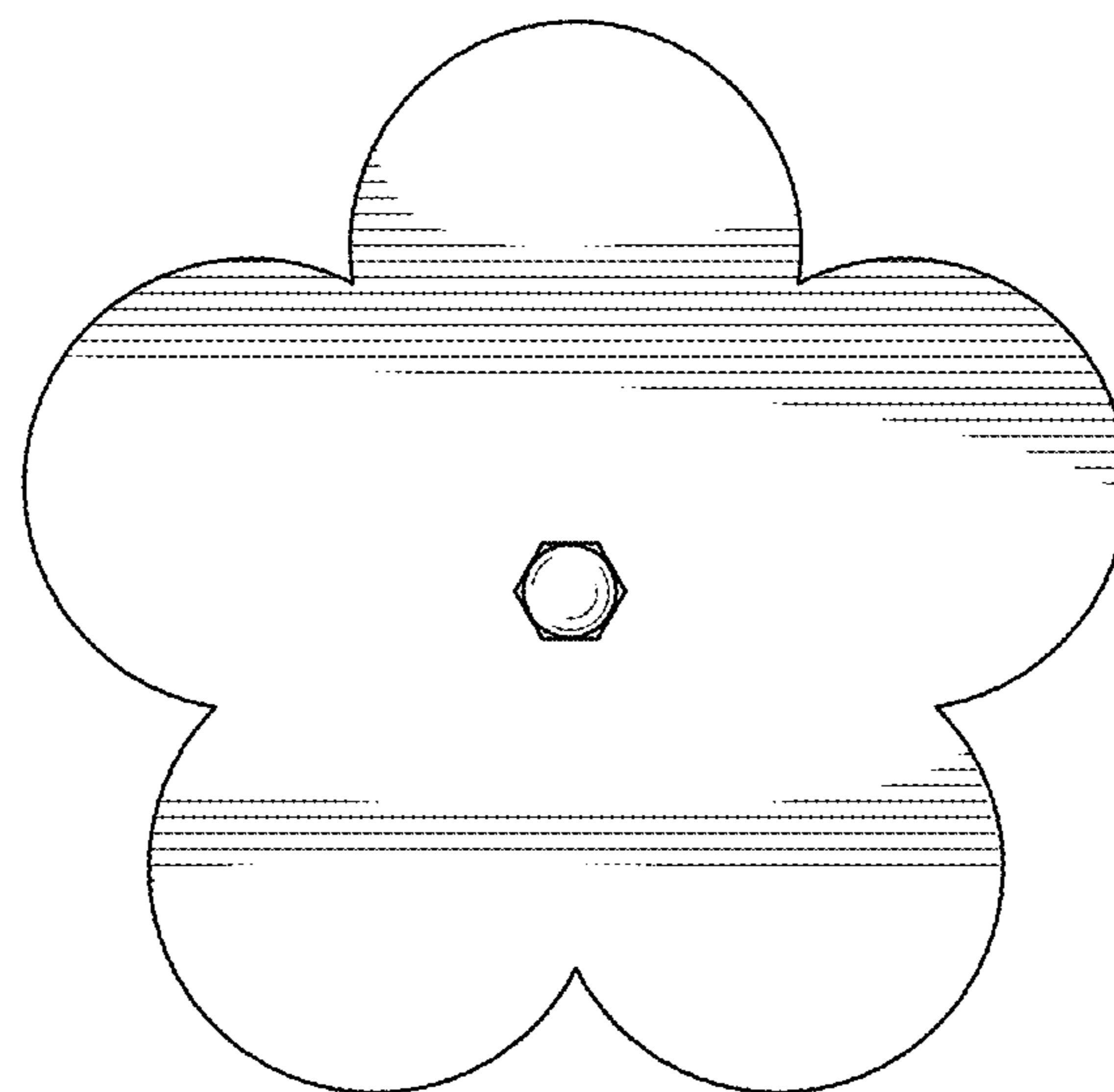
FIG. 2



**FIG. 3**



**FIG. 4**



**FIG. 5**

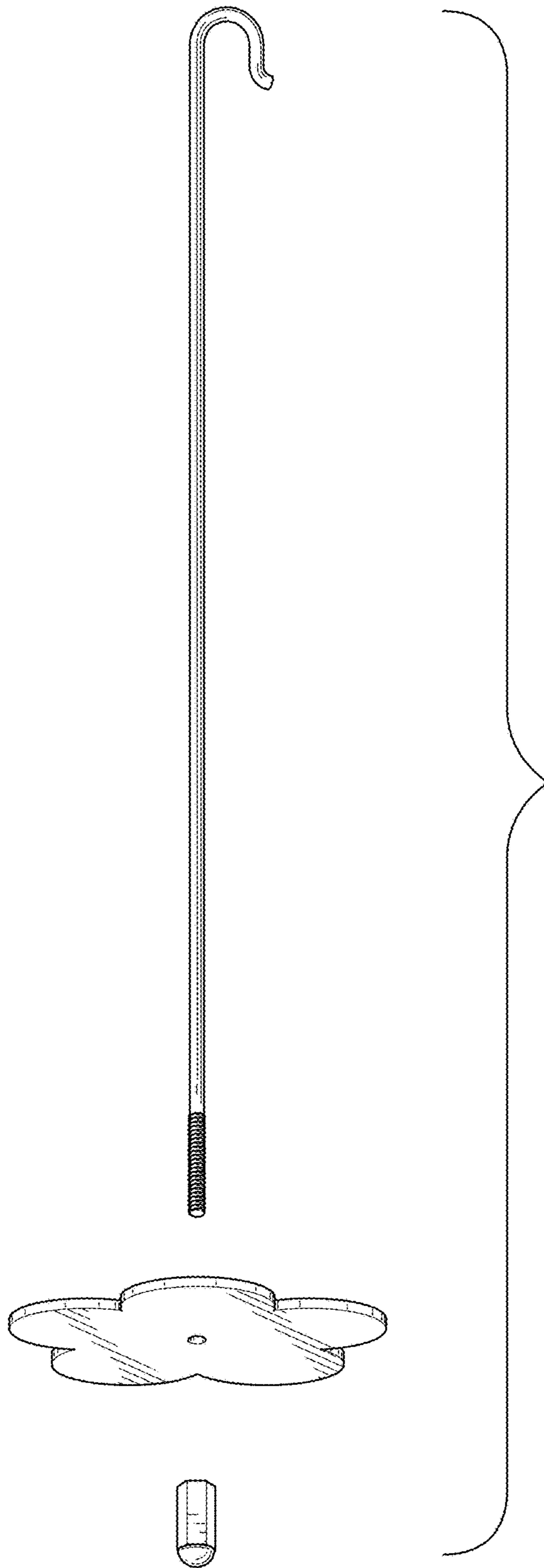


FIG. 6