



US00D791011S

(12) **United States Design Patent**  
**Shah**

(10) **Patent No.:** **US D791,011 S**

(45) **Date of Patent:** **\*\* Jul. 4, 2017**

(54) **GEMSTONE**

(71) Applicant: **Kiran Jewels Inc.**, New York, NY (US)

(72) Inventor: **Tejas Shah**, New York, NY (US)

(73) Assignee: **KIRAN JEWELS INC.**, New York, NY (US)

(\*\*) Term: **15 Years**

(21) Appl. No.: **29/595,324**

(22) Filed: **Feb. 27, 2017**

(51) **LOC (10) Cl.** ..... **11-01**

(52) **U.S. Cl.**  
USPC ..... **D11/90**

(58) **Field of Classification Search**  
USPC ..... D11/1-2, 26-29, 89-92; 63/26-28, 32  
CPC ..... A44C 17/00; A44C 17/001; A44C 17/002;  
A44C 17/003; A44C 17/005; A44C  
17/006; A44C 17/007; A44C 17/008  
See application file for complete search history.

(56) **References Cited**

**U.S. PATENT DOCUMENTS**

D372,883 S	8/1996	Adler	
D400,121 S	10/1998	Ambar	
D431,204 S	9/2000	Gurevich	
D457,094 S	5/2002	Cohen	
D458,183 S *	6/2002	Namdar	D11/90
6,818,280 B2 *	11/2004	Matsumura	A44C 17/001 428/156
D503,652 S *	4/2005	Atlass	D11/90
D513,478 S *	1/2006	Devash	D11/90
D545,238 S *	6/2007	Krochmal	D11/90
D547,232 S	7/2007	Lai	
D557,172 S	12/2007	Ho	
D557,628 S	12/2007	Shah	
D565,996 S	4/2008	Zikri	
D583,702 S *	12/2008	Habif	D11/90
D599,696 S	9/2009	Yuan	

D622,175 S	8/2010	Nemzer	
D624,844 S *	10/2010	So	D11/90
D632,995 S	2/2011	Husar	
D633,817 S *	3/2011	So	D11/90
D633,818 S *	3/2011	So	D11/90

(Continued)

*Primary Examiner* — Ralf Seifert

(74) *Attorney, Agent, or Firm* — Hodgson Russ LLP

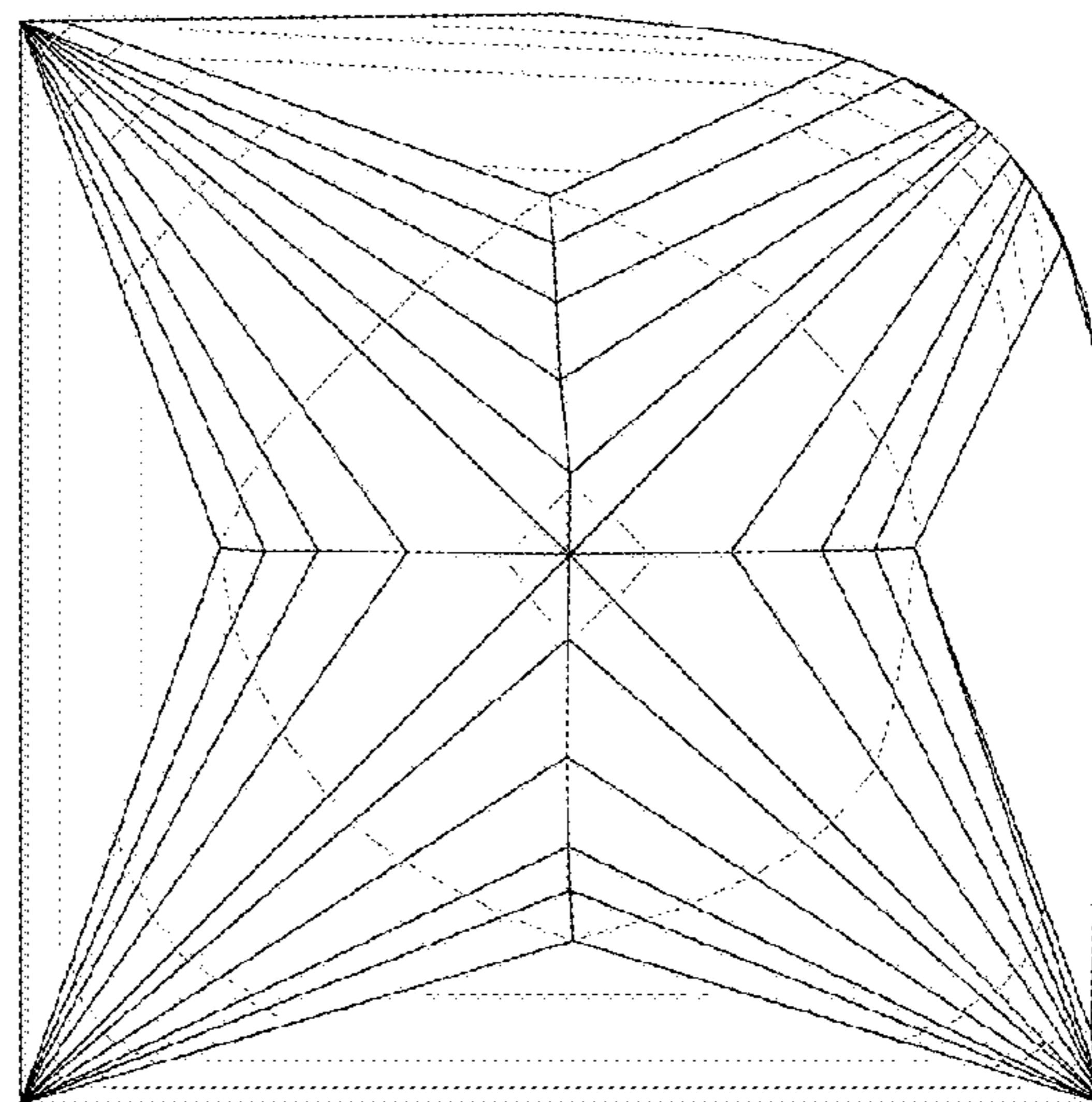
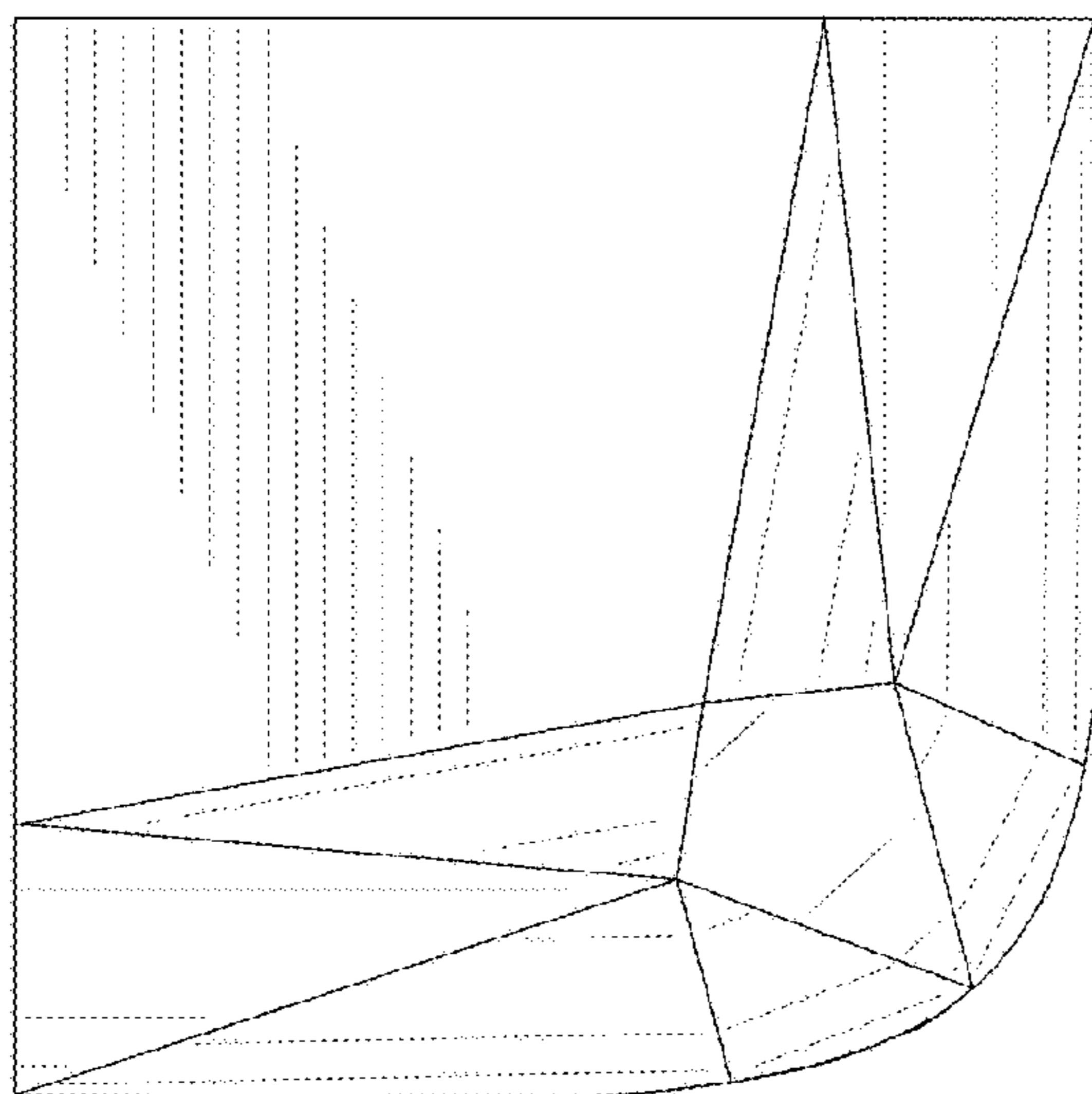
(57) **CLAIM**

The ornamental design for a gemstone, as shown and described.

**DESCRIPTION**

FIG. 1 is a front-top perspective view of a first embodiment of a gemstone, showing my new design;  
 FIG. 2 is a rear-bottom perspective view thereof;  
 FIG. 3 is a front elevational view thereof;  
 FIG. 4 is a rear elevational view thereof;  
 FIG. 5 is a right side elevational view thereof;  
 FIG. 6 is a left side elevational view thereof;  
 FIG. 7 is a top plan view thereof;  
 FIG. 8 is a bottom plan view thereof;  
 FIG. 9 is a top perspective view thereof, showing the gemstone arranged adjacent additional, exemplary gemstones;  
 FIG. 10 is a front-top perspective view of a second embodiment of a gemstone, showing my new design;  
 FIG. 11 is a rear-bottom perspective view of FIG. 10;  
 FIG. 12 is a front elevational view of FIG. 10;  
 FIG. 13 is a rear elevational view of FIG. 10;  
 FIG. 14 is a right side elevational view of FIG. 10;  
 FIG. 15 is a left side elevational view of FIG. 10;  
 FIG. 16 is a top plan view of FIG. 10; and,  
 FIG. 17 is a bottom plan view of FIG. 10.  
 The broken line showing of gemstones in FIG. 9 is included for the purpose of illustrating environmental matter and forms no part of the claimed design.

**1 Claim, 17 Drawing Sheets**



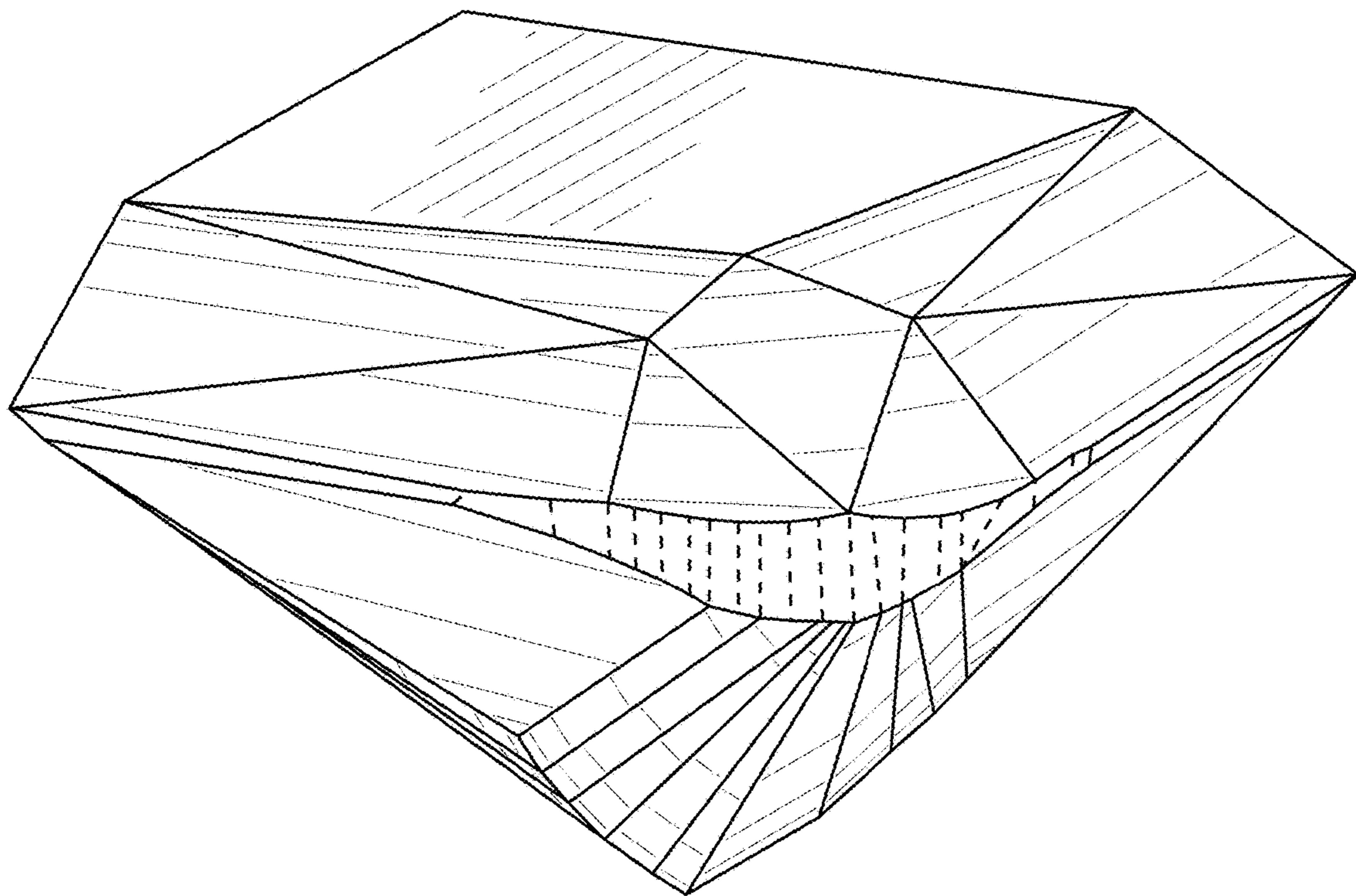
(56)

**References Cited**

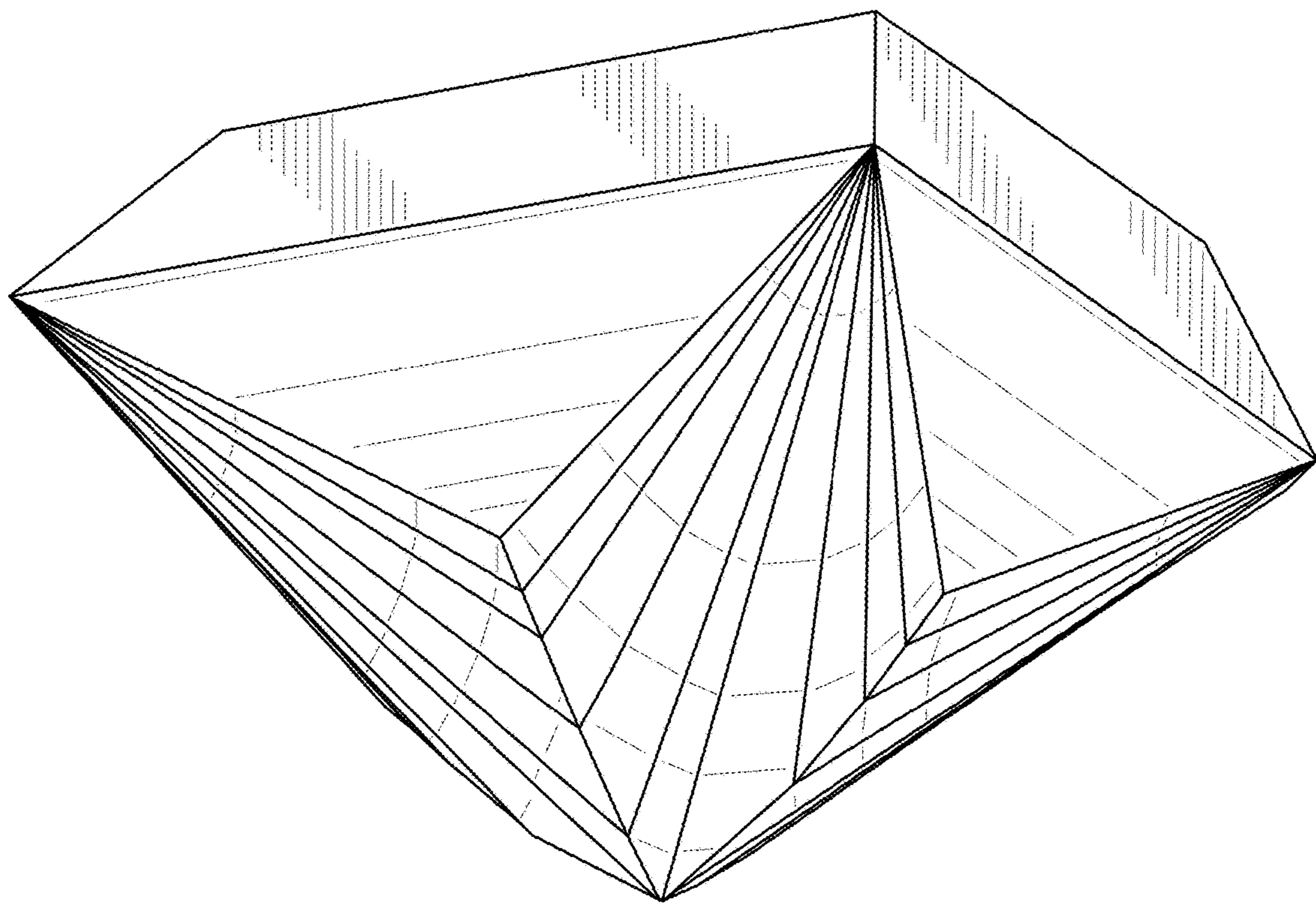
U.S. PATENT DOCUMENTS

D640,951 S *	7/2011	Parikh .....	D11/90
D653,154 S *	1/2012	Shah .....	D11/90
8,181,482 B2 *	5/2012	Hasenfeld .....	A44C 17/001 63/32
D676,350 S *	2/2013	Jhaveri .....	D11/90
D678,112 S *	3/2013	Jhaveri .....	D11/90
D678,113 S *	3/2013	Jhaveri .....	D11/90
D684,086 S *	6/2013	Jhaveri .....	D11/90
D684,885 S *	6/2013	Kothari .....	D11/90
D688,970 S *	9/2013	Rydlwicz .....	D11/90
D727,781 S *	4/2015	Ghassabian .....	D11/90
D730,234 S *	5/2015	Miao .....	D11/89
D738,254 S	9/2015	Hakimian	
D768,029 S	10/2016	Hakimian	
D785,496 S *	5/2017	Shah .....	D11/90
D786,126 S *	5/2017	Shah .....	D11/90
2014/0190209 A1	7/2014	Lipton	

\* cited by examiner

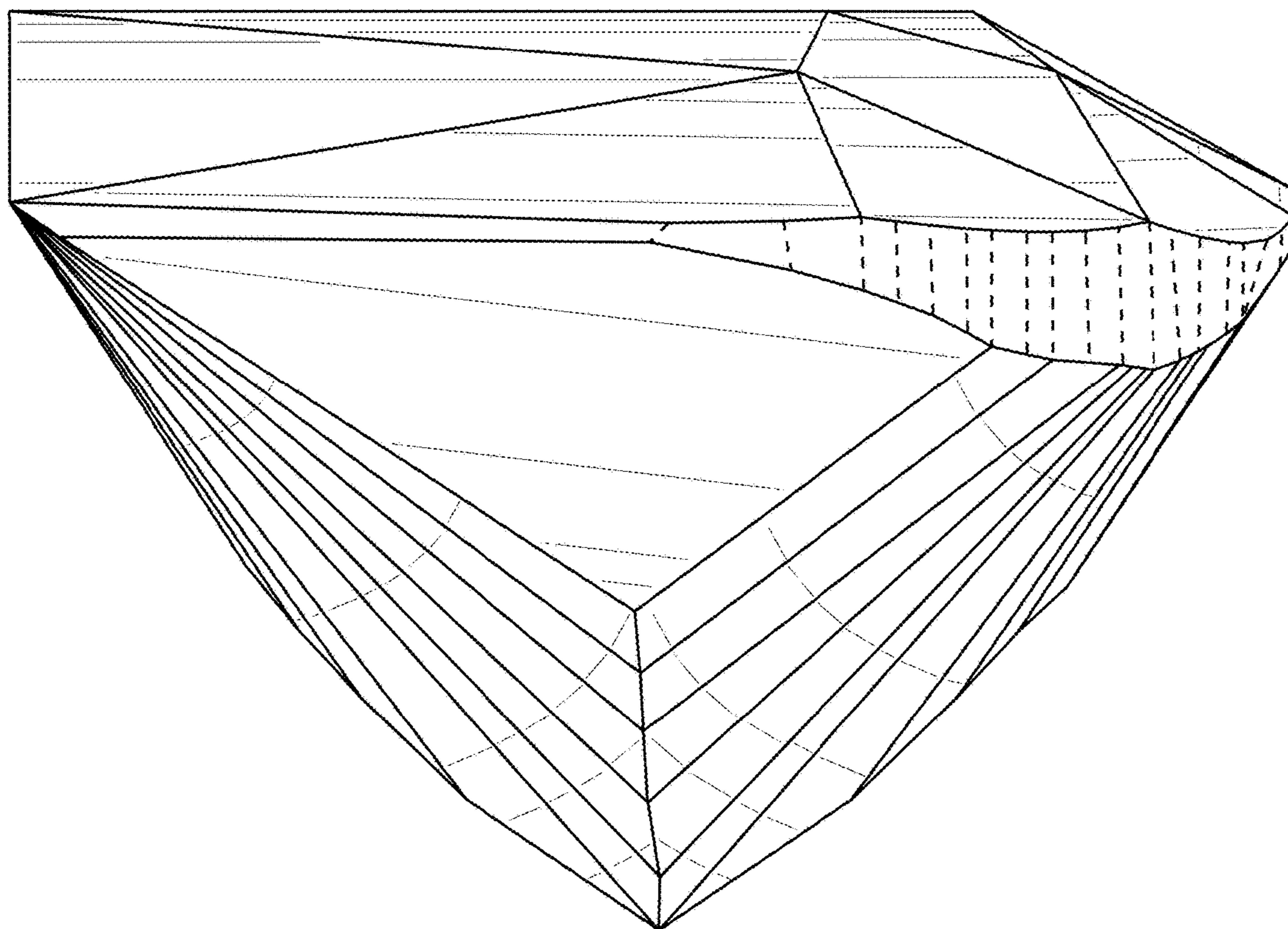


**FIG. 1**

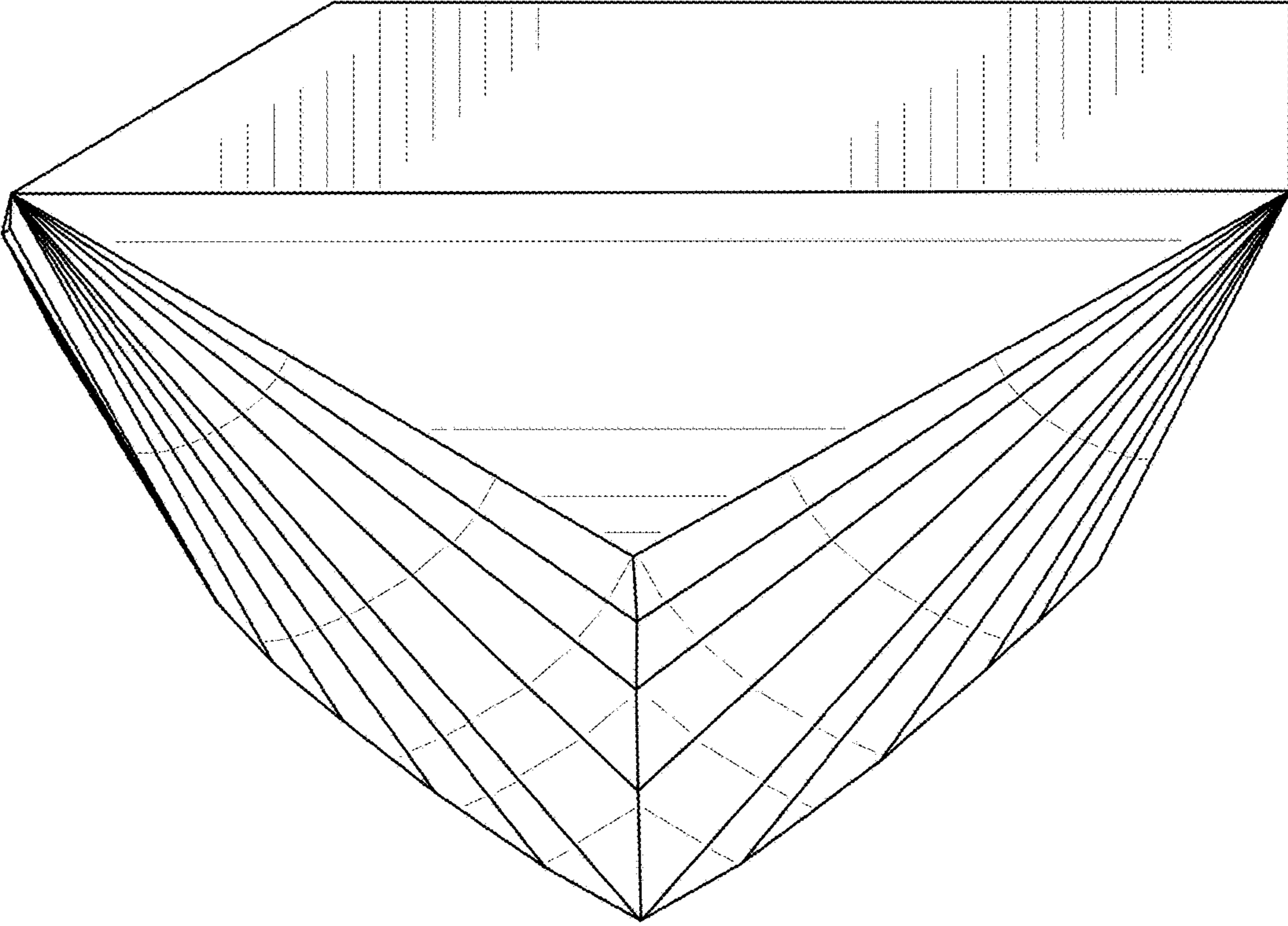


**FIG. 2**

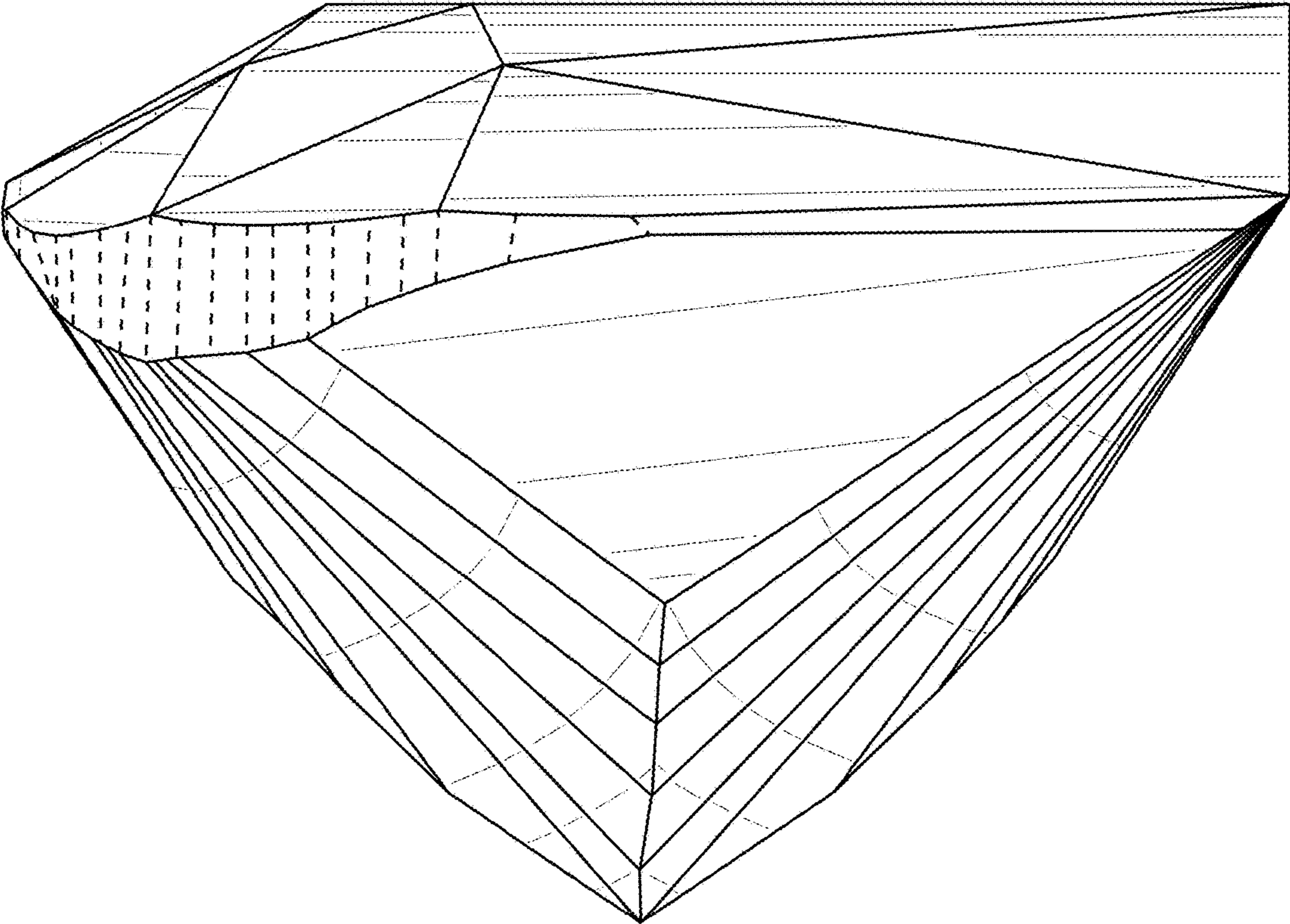




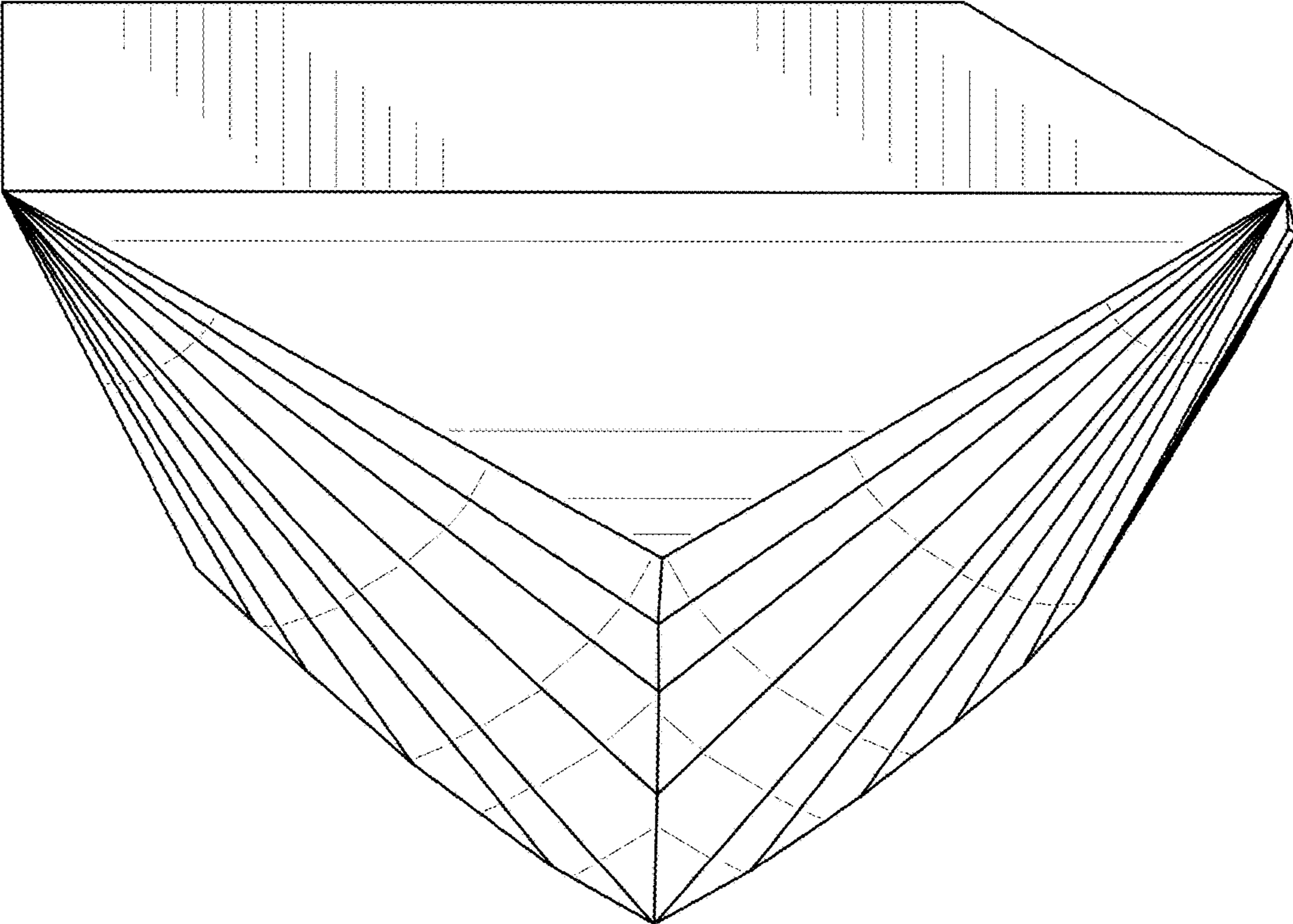
**FIG. 3**



**FIG. 4**

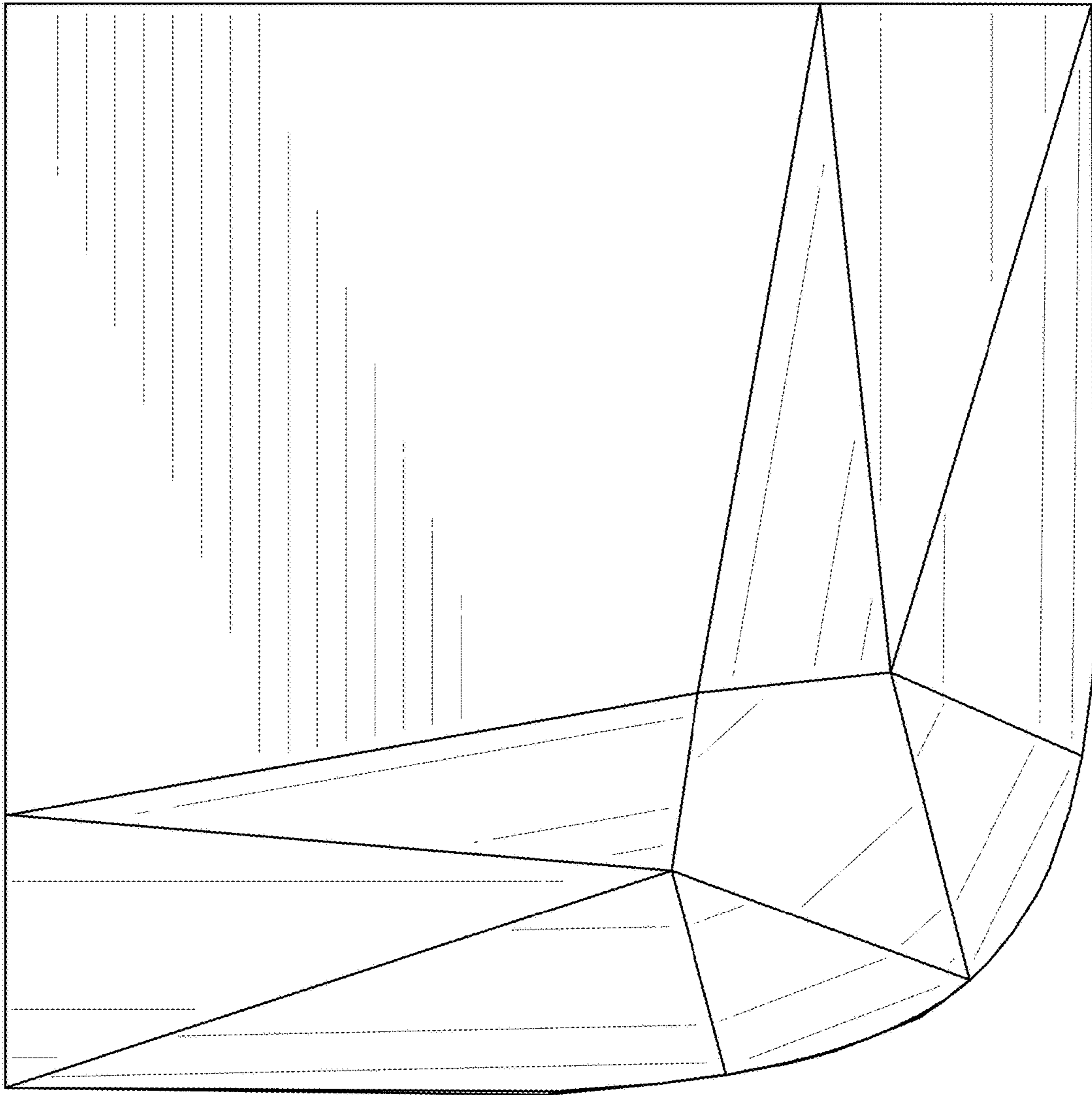


**FIG. 5**

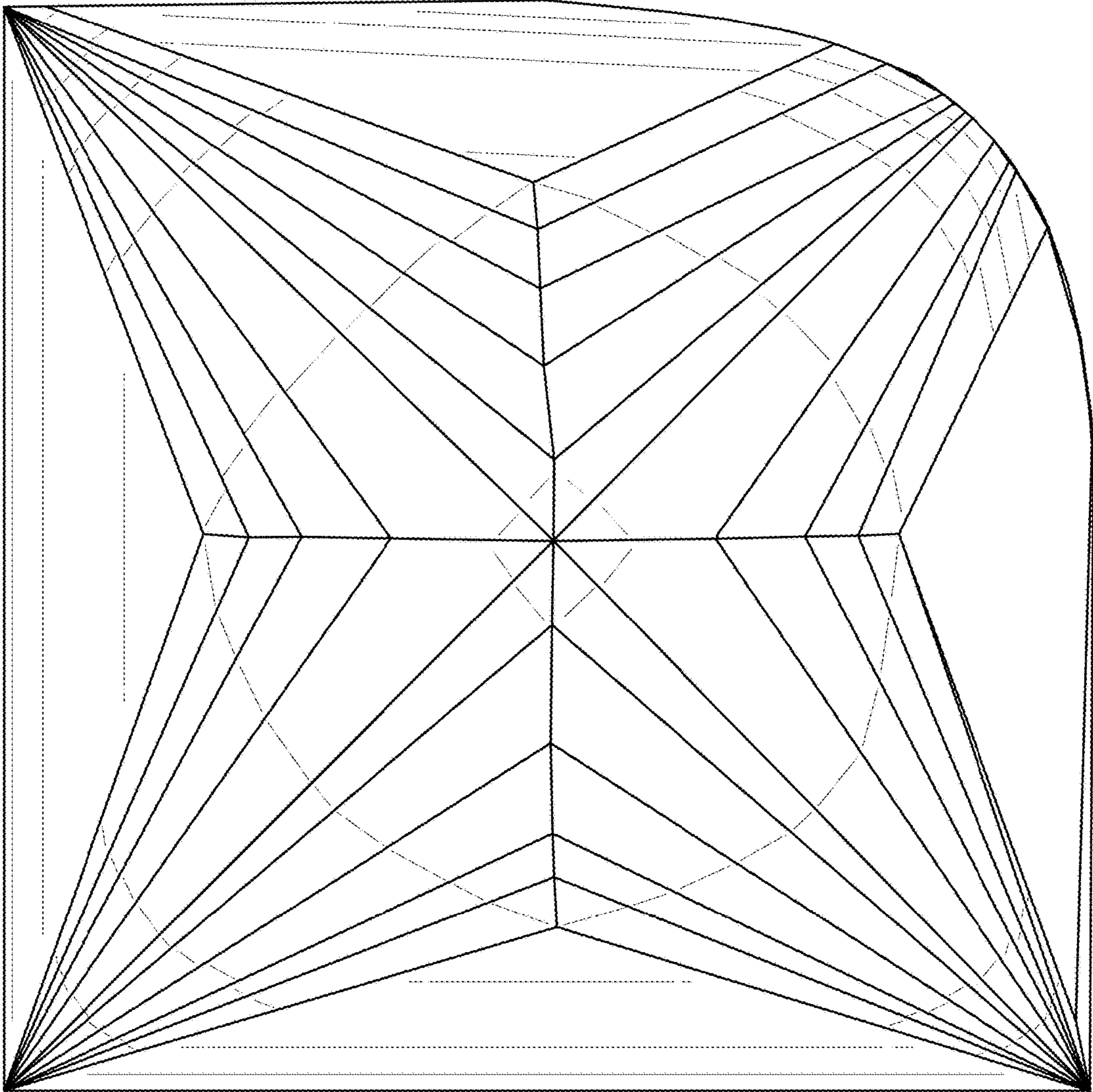


**FIG. 6**

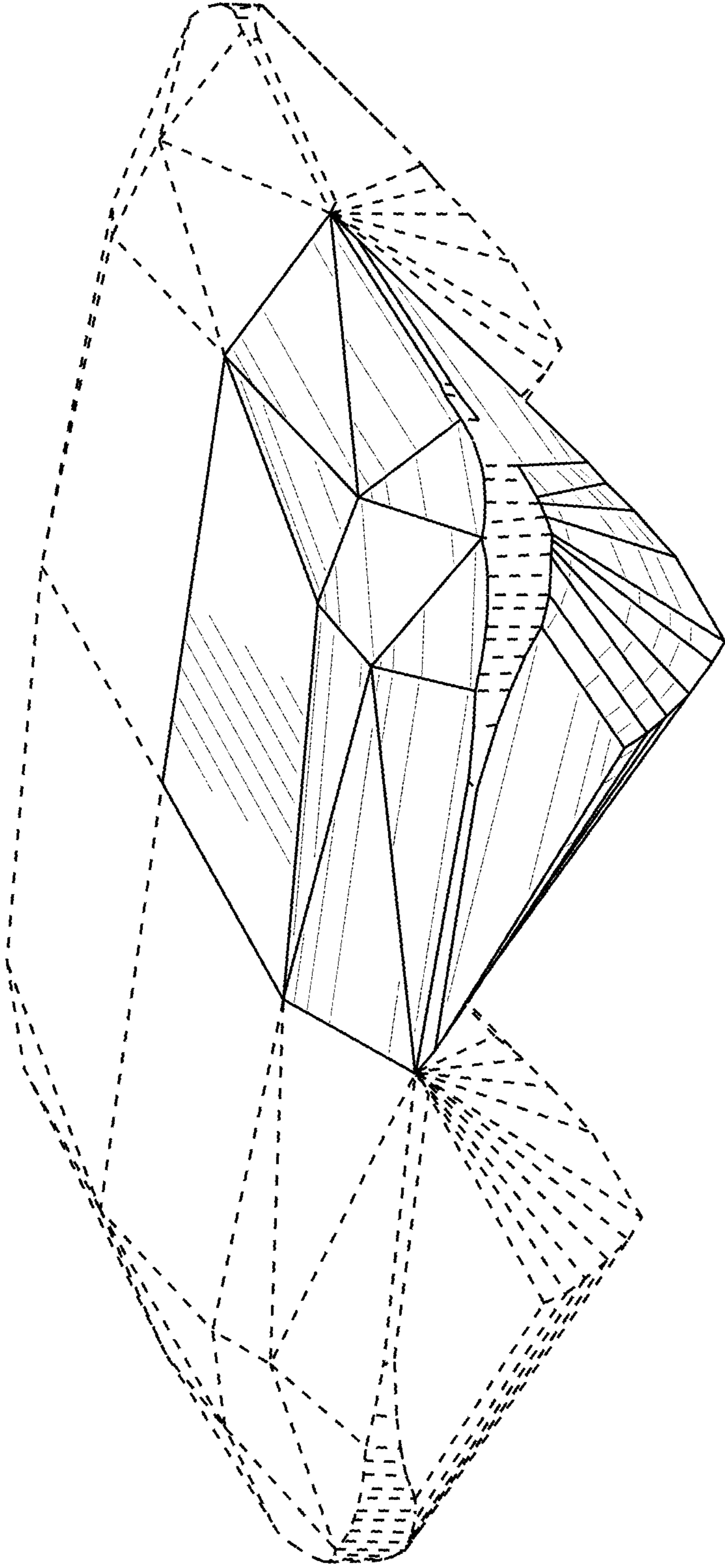




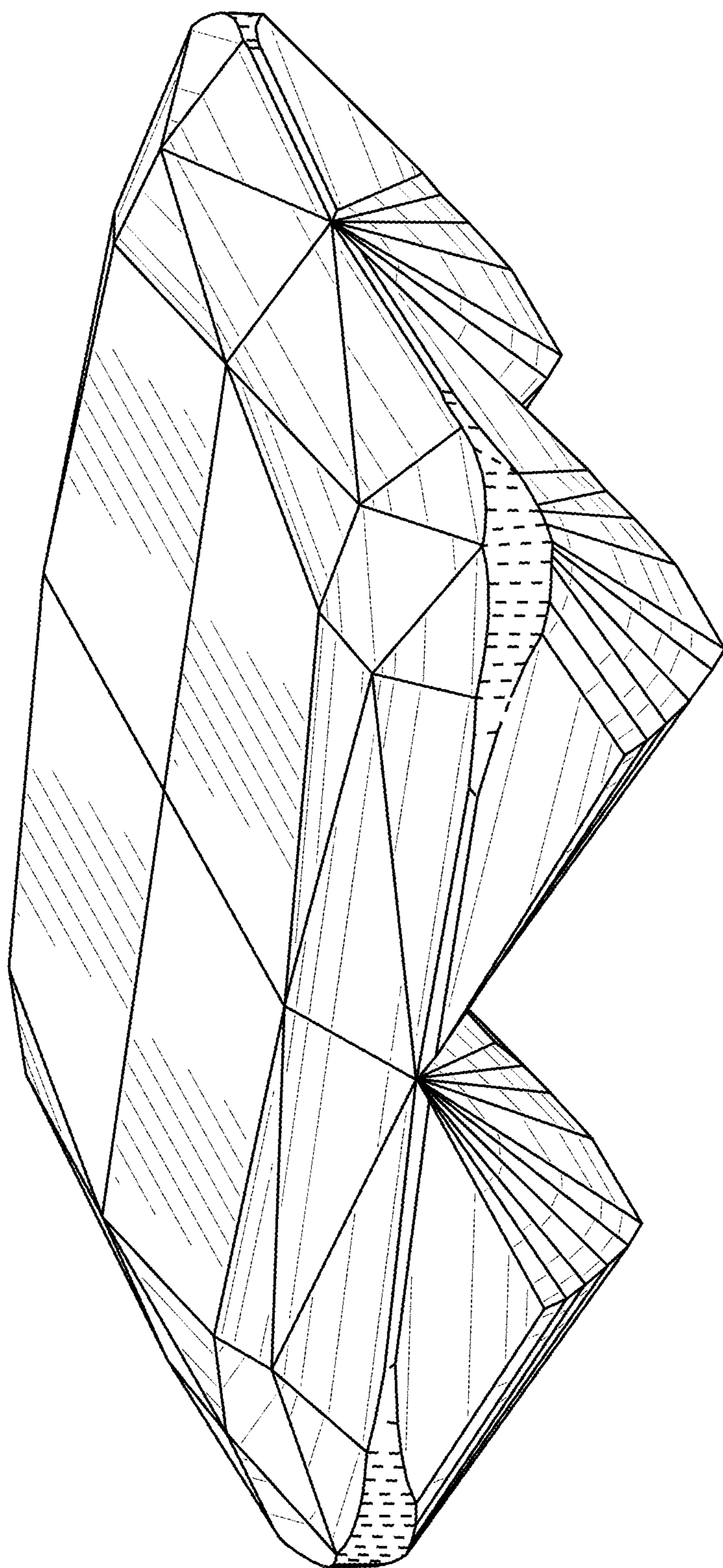
**FIG. 7**



**FIG. 8**

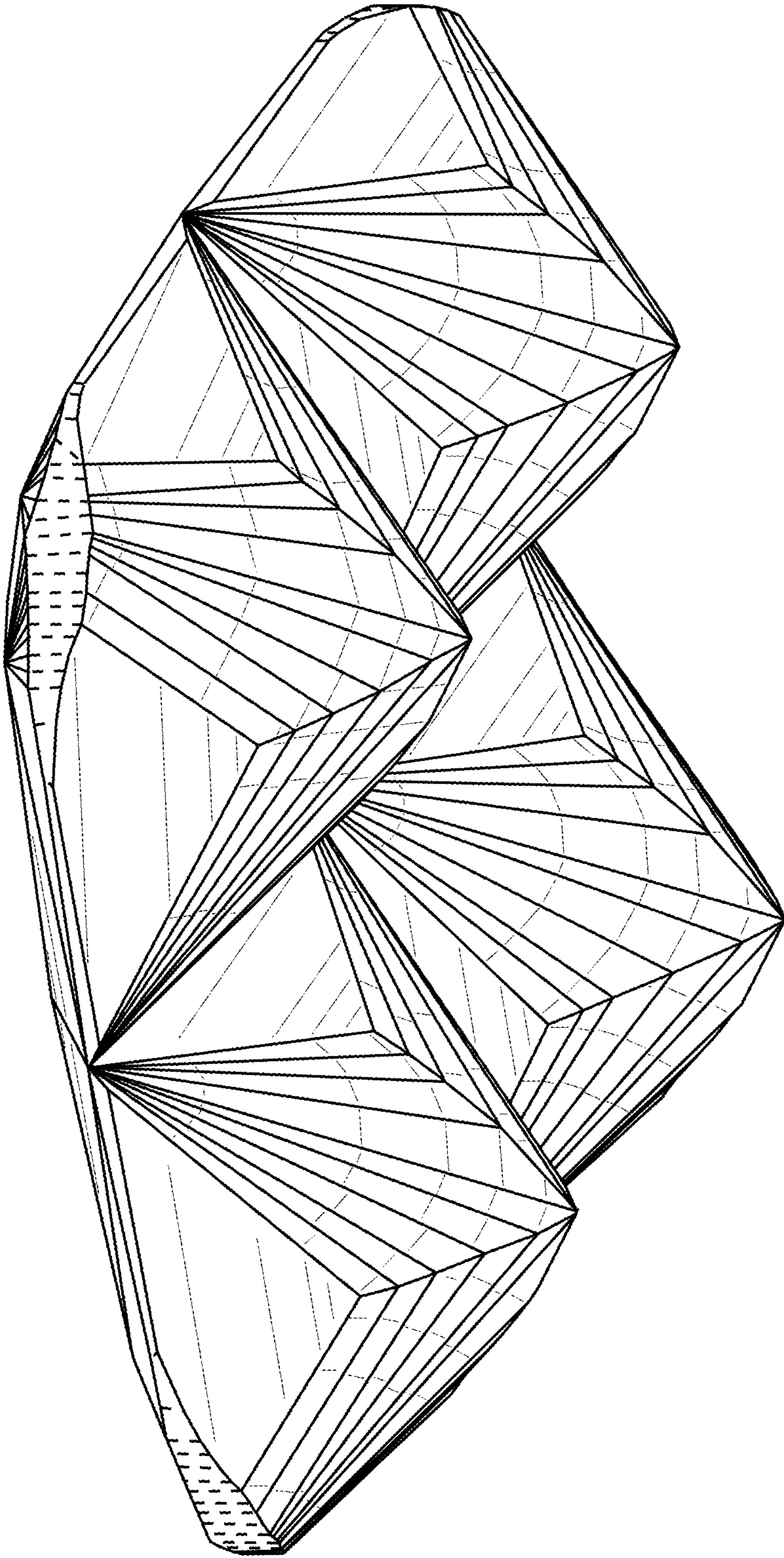


**FIG. 9**

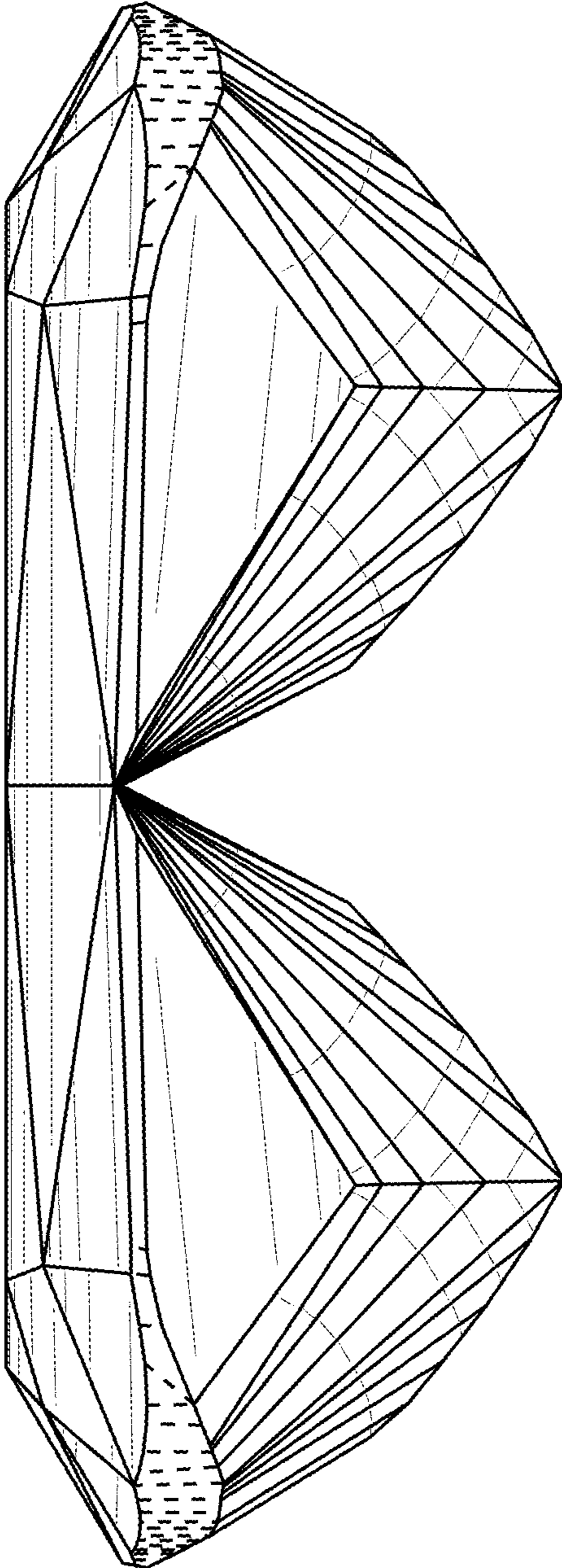


**FIG. 10**

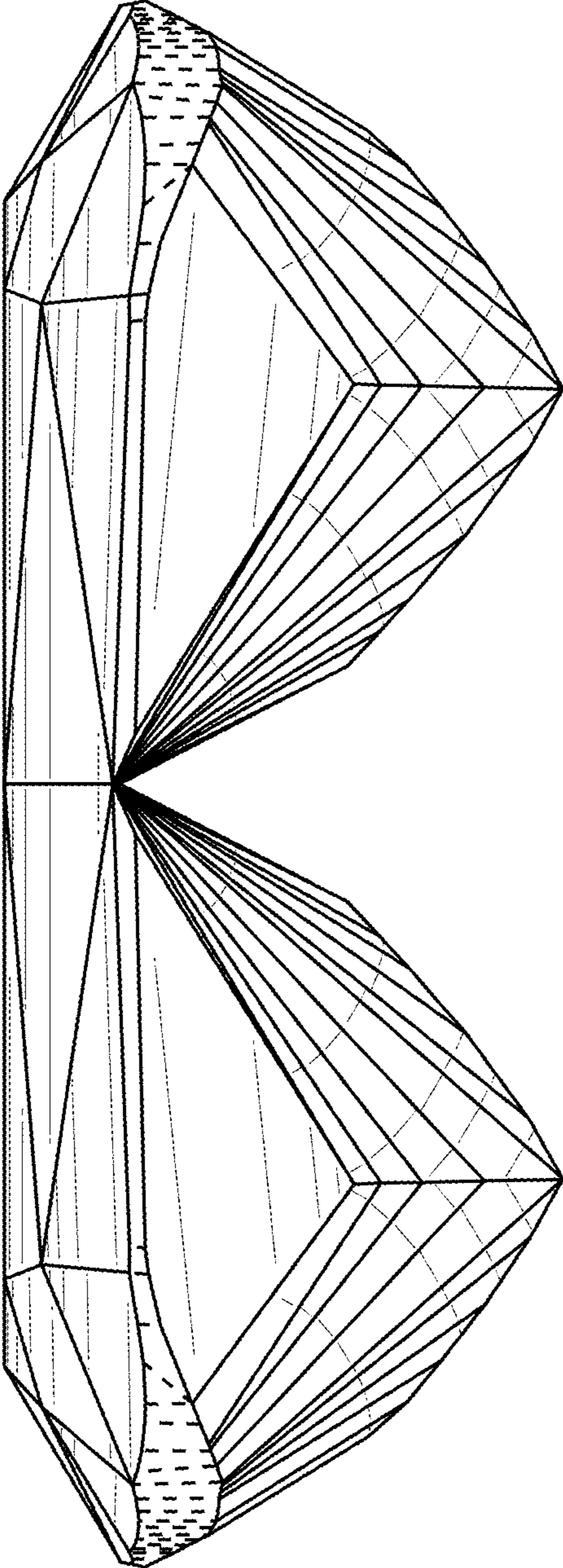




**FIG. 11**

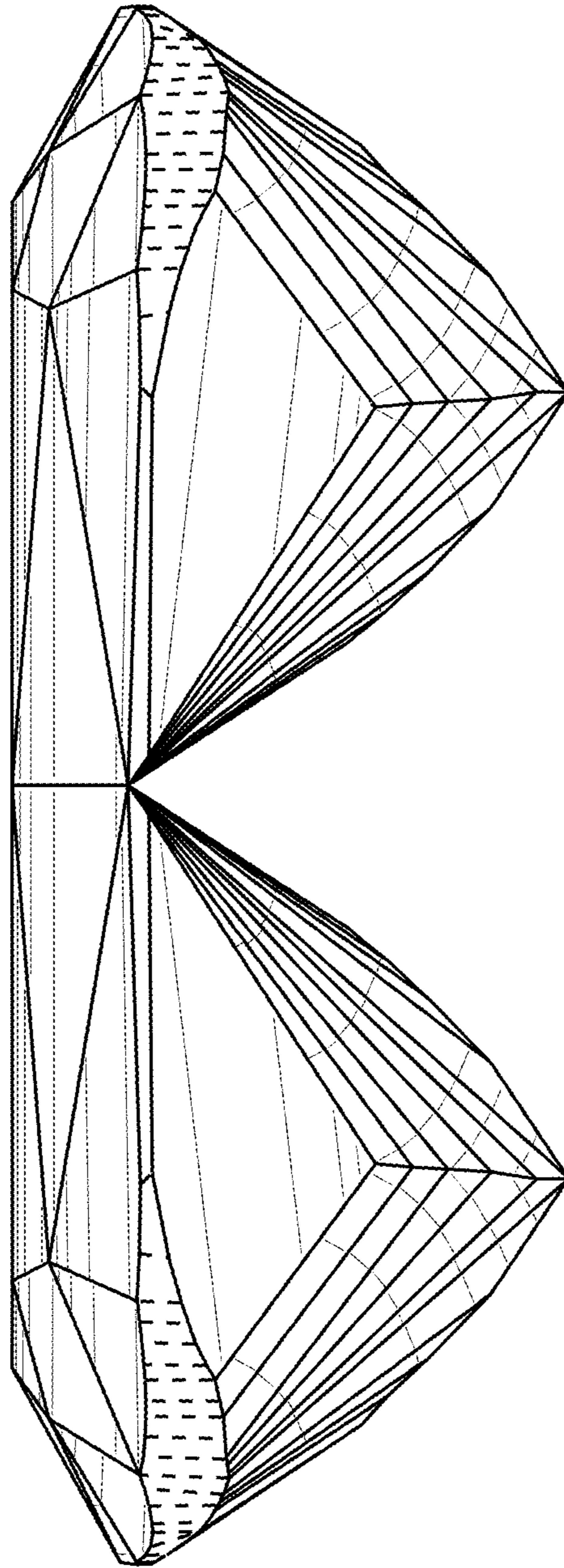


**FIG. 12**



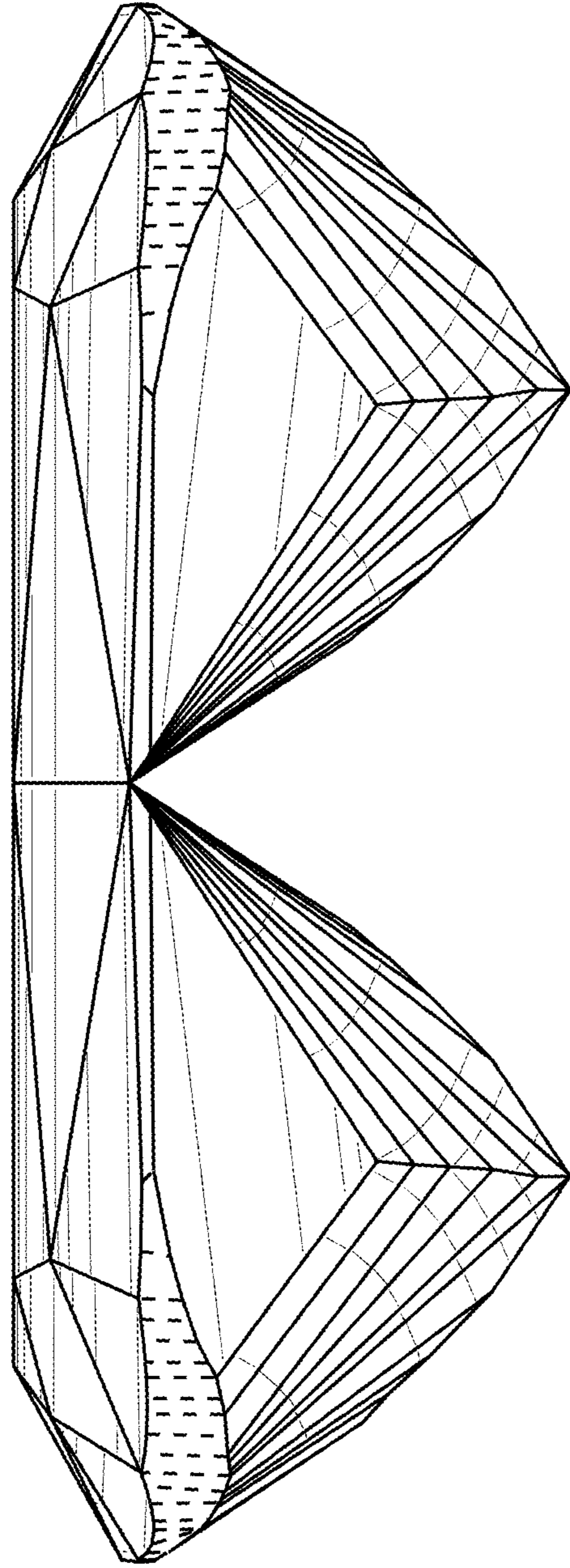
**FIG. 13**





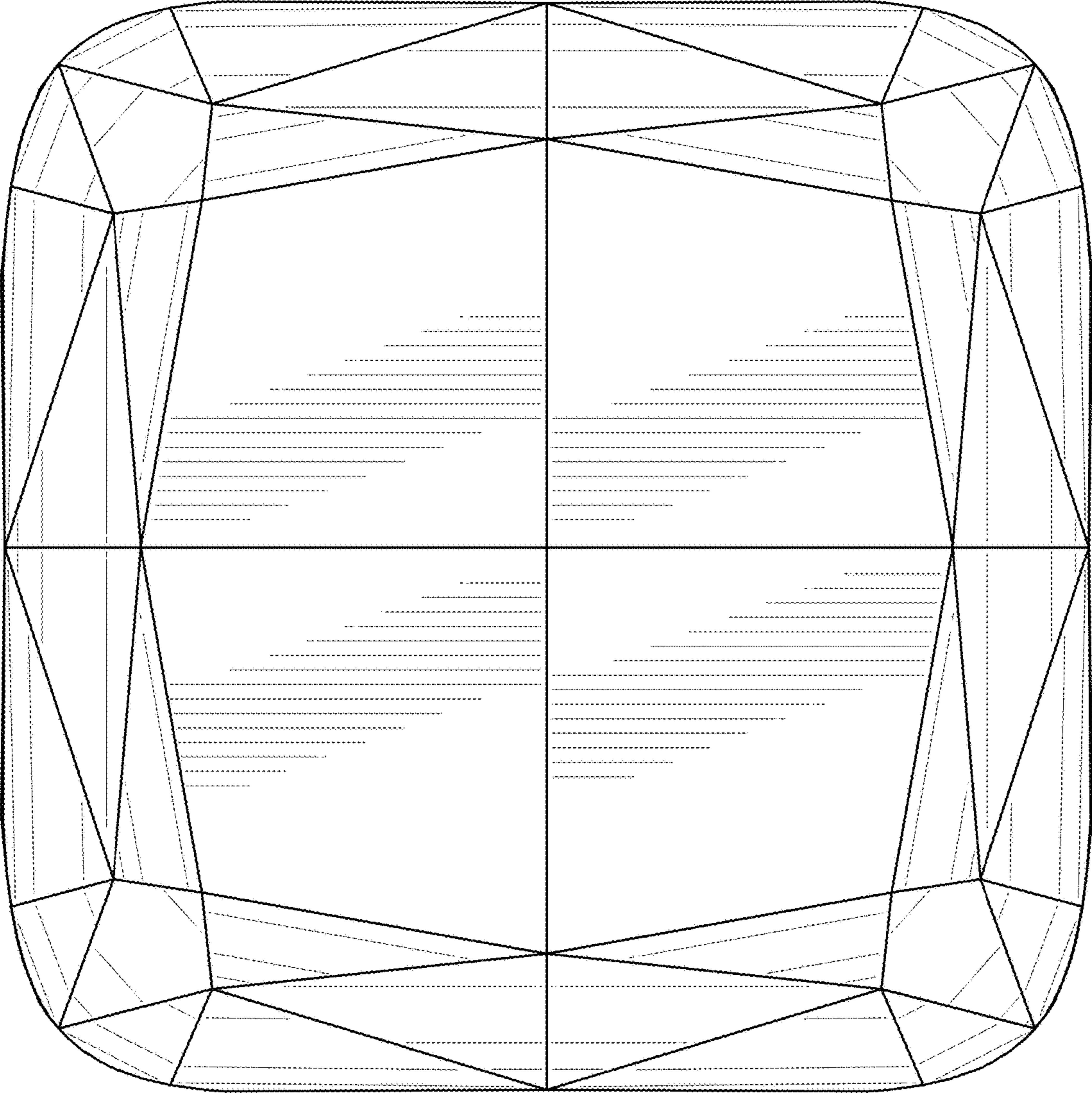
**FIG. 14**





**FIG. 15**

**FIG. 16**





**FIG. 17**

