



US00D791007S

(12) **United States Design Patent** (10) **Patent No.:** **US D791,007 S**
Magallanes-Leal (45) **Date of Patent:** **** Jul. 4, 2017**

(54) **RING**
(71) Applicant: **Cartier International AG**, Steinhausen (CH)
(72) Inventor: **Sofia Magallanes-Leal**, Paris (FR)
(73) Assignee: **Cartier International AG**, Steinhausen (CH)

D538,697 S * 3/2007 Azrielant D11/28
D542,694 S * 5/2007 Schweizer D11/34
D542,695 S * 5/2007 Schweizer D11/34
D565,990 S * 4/2008 Allin D11/26
D606,895 S * 12/2009 Lebail D11/34
D626,878 S * 11/2010 Hardy D11/79
D662,437 S * 6/2012 Verdeille D11/34
D757,595 S * 5/2016 Hardy D11/79
D758,909 S * 6/2016 Young D11/26
D759,536 S * 6/2016 Hardy D11/79

(**) Term: **15 Years**
(21) Appl. No.: **29/534,993**
(22) Filed: **Aug. 3, 2015**

OTHER PUBLICATIONS

[Online] [http://images.selfridges.com/is/image/selfridges/852-10134-CRB4213200_M?\\$PDP_M_ALL\\$](http://images.selfridges.com/is/image/selfridges/852-10134-CRB4213200_M?PDP_M_ALL). Retrieved Jul. 21, 2016.*

(51) **LOC (10) Cl.** **11-01**
(52) **U.S. Cl.**
USPC **D11/35**
(58) **Field of Classification Search**
USPC D11/1, 2, 3, 4, 5, 26-39, 91, 9, 66, 67, D11/68
CPC A44C 5/00; A44C 5/0007; A44C 5/0015; A44C 5/003; A44C 5/053; A44C 9/00; A44C 9/0007; A44C 9/001; A44C 9/0023; A44C 9/003; A44C 9/0038; A44C 9/0046; A44C 9/0053; A44C 9/0061; A44C 9/0069; A44C 9/0076; A44C 9/0092; A44C 17/0258; A44C 17/0266; A44C 17/0275; A44C 17/0283; A44C 17/02; A44C 17/0208; A44C 17/0216; A44C 17/0225; A44C 17/0233; A44C 17/0241; A44C 17/025; A44C 17/0291
See application file for complete search history.

* cited by examiner

Primary Examiner — Melanie Pellegrini
(74) *Attorney, Agent, or Firm* — Taft Stettinius & Hollister LLP

(57) **CLAIM**

The ornamental design for a ring, as shown and described.

DESCRIPTION

FIG. 1 is a top side view of a ring of the present invention. FIG. 2 is a bottom side view of the ring of FIG. 1. FIG. 3 is a right side view of the ring of FIG. 1. FIG. 4 is a left side view of the ring of FIG. 1. FIG. 5 is a front side view of the ring of FIG. 1. FIG. 6 is a back side view of the ring of FIG. 1. FIG. 7 is a top, left side perspective view of the ring of FIG. 1; and, FIG. 8 is a bottom, right side perspective view of the ring of FIG. 1.

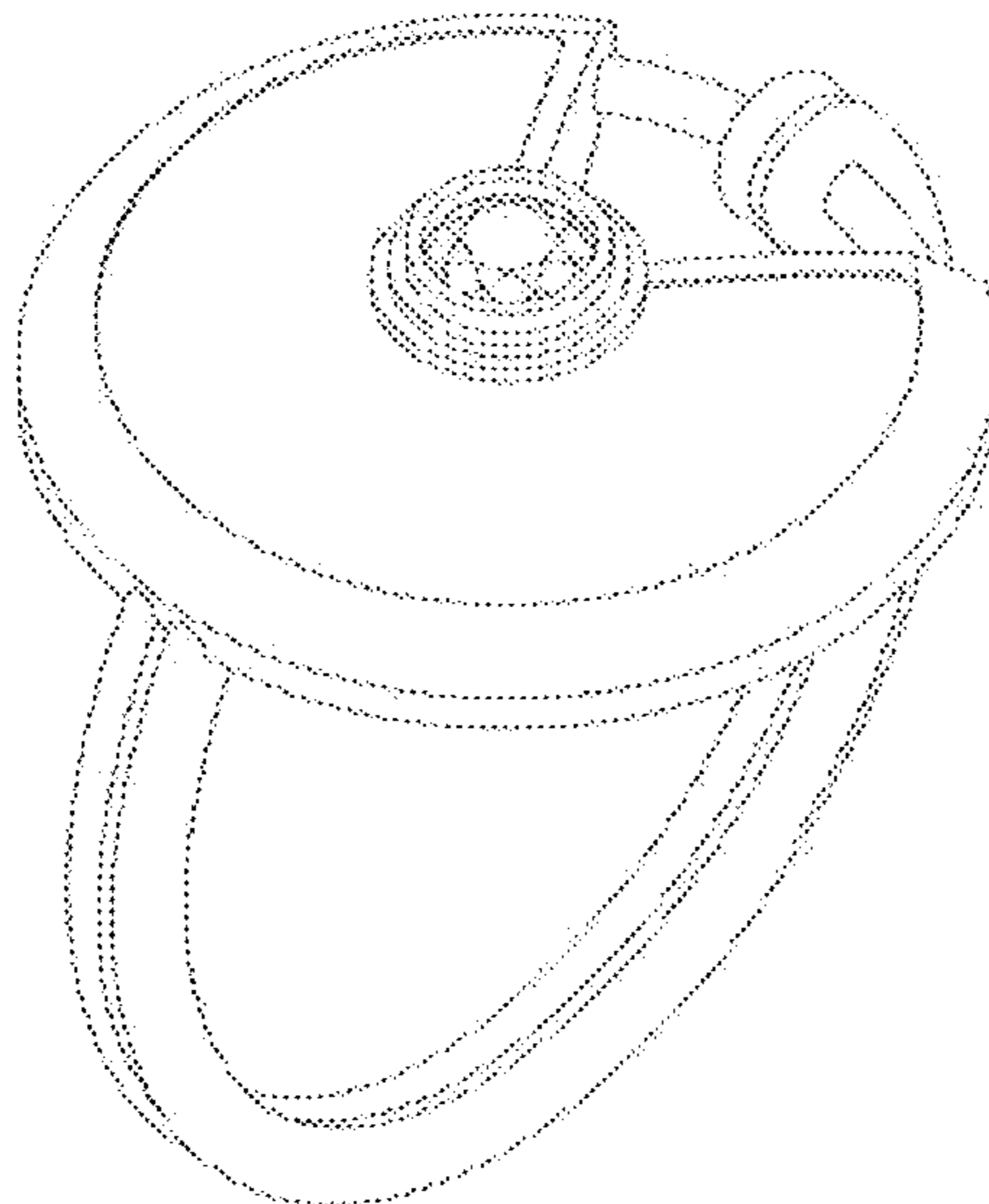
The broken lines in FIG. 8 illustrate a portion of the ring that forms no part of the claimed design.

(56) **References Cited**

U.S. PATENT DOCUMENTS

3,255,611 A * 6/1966 Doherty A47F 7/02 156/63
D301,316 S * 5/1989 Yoshida D11/75
D472,495 S * 4/2003 Hardy D11/34

1 Claim, 2 Drawing Sheets



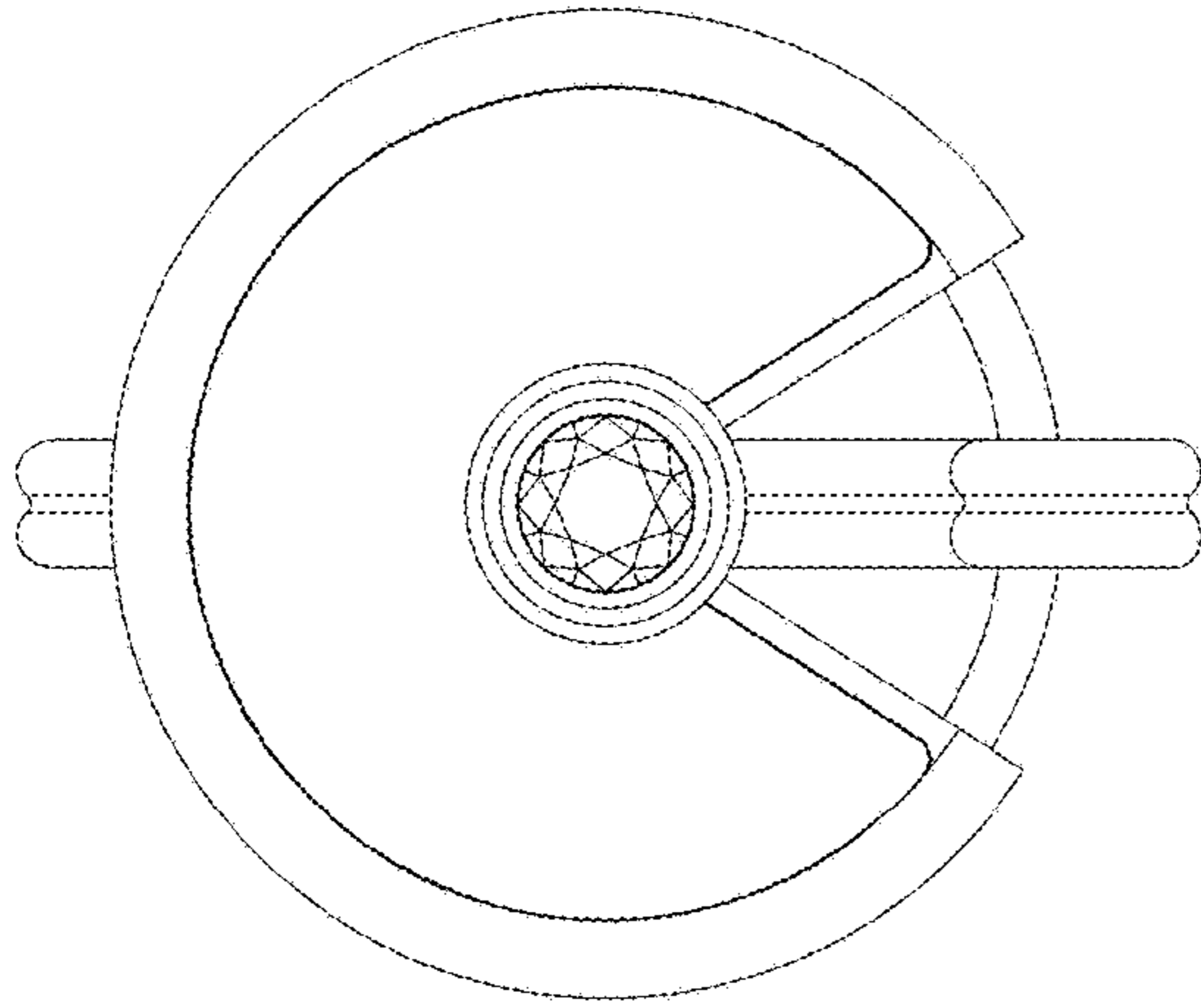


FIG 1

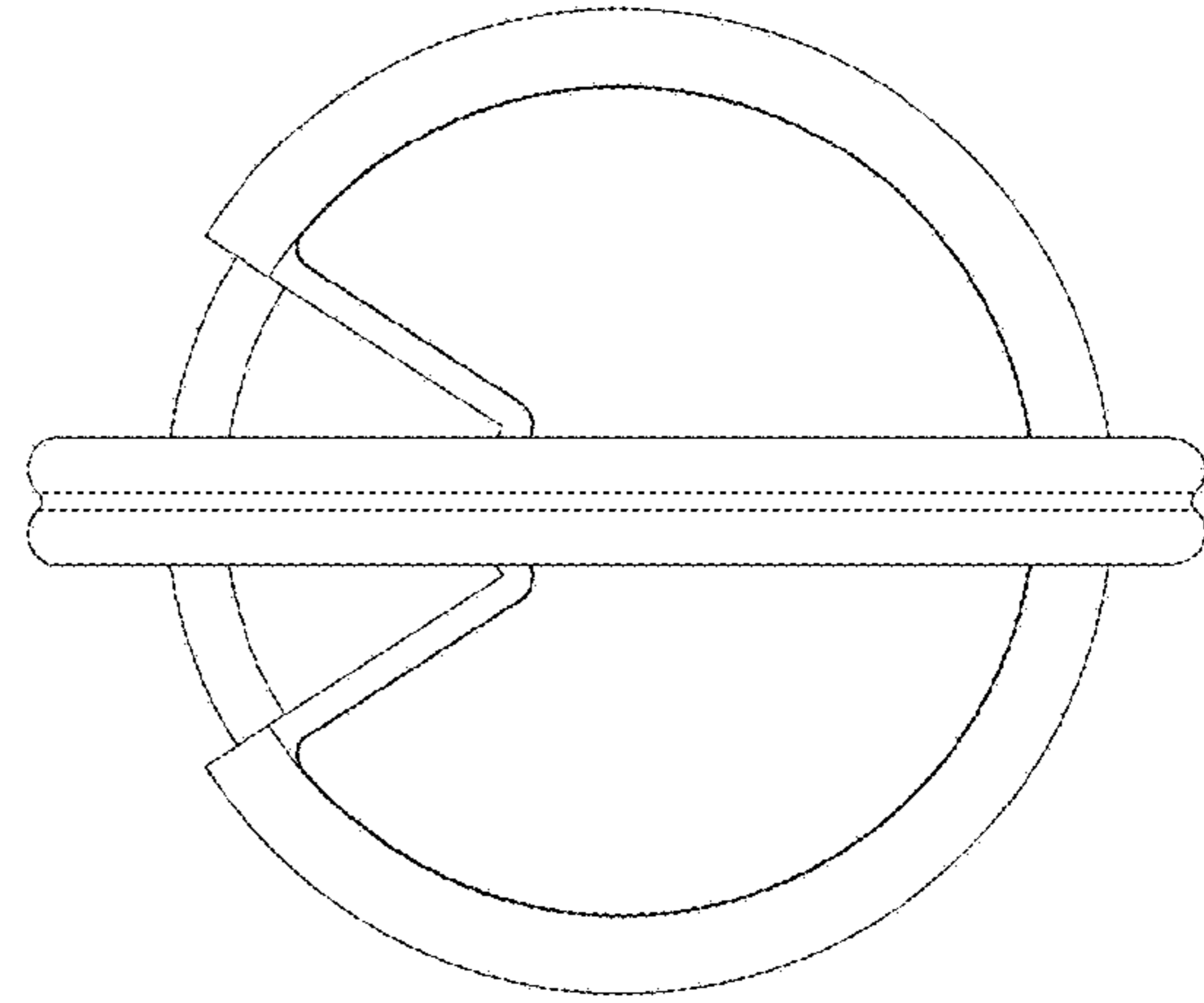


FIG 2

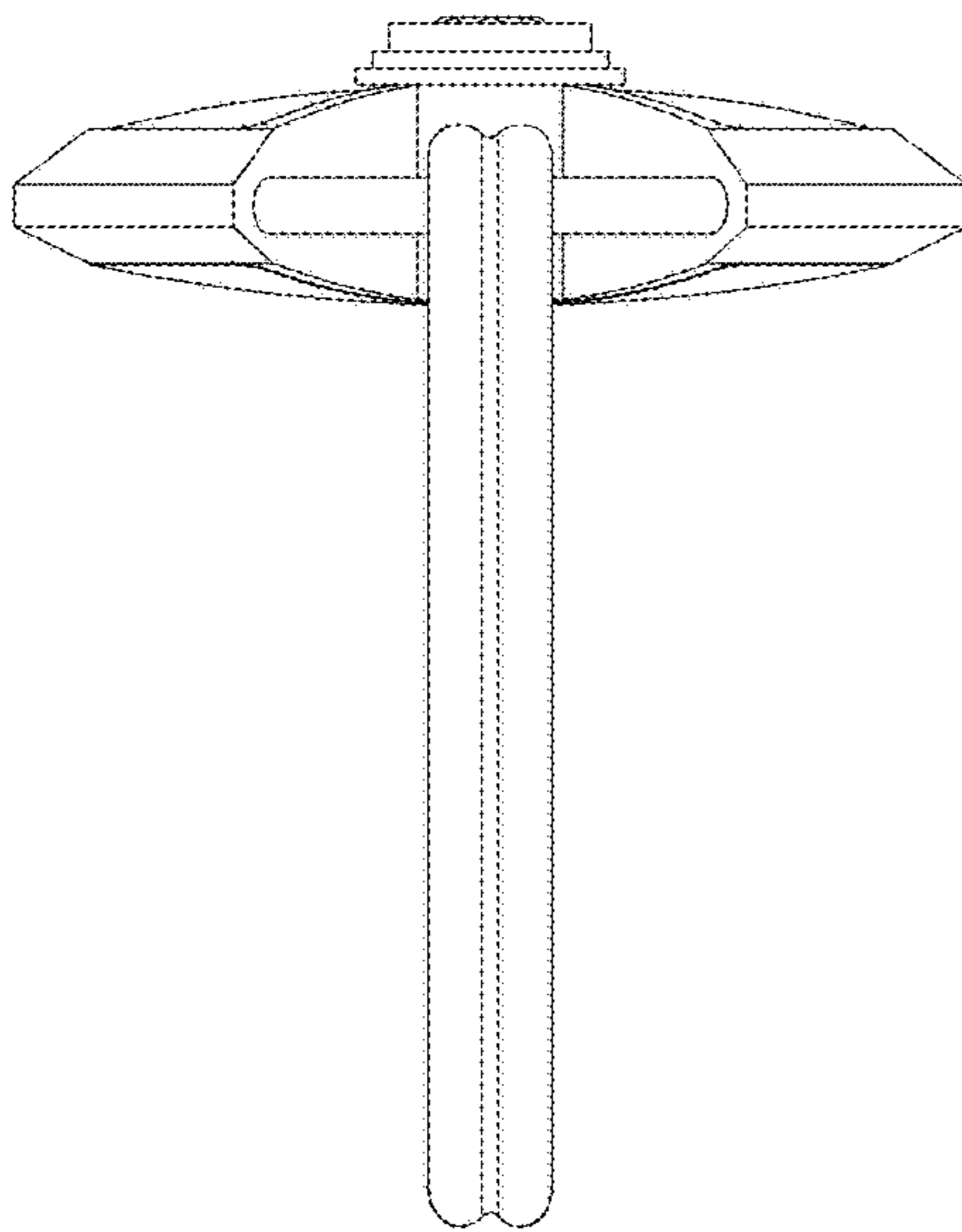


FIG 3

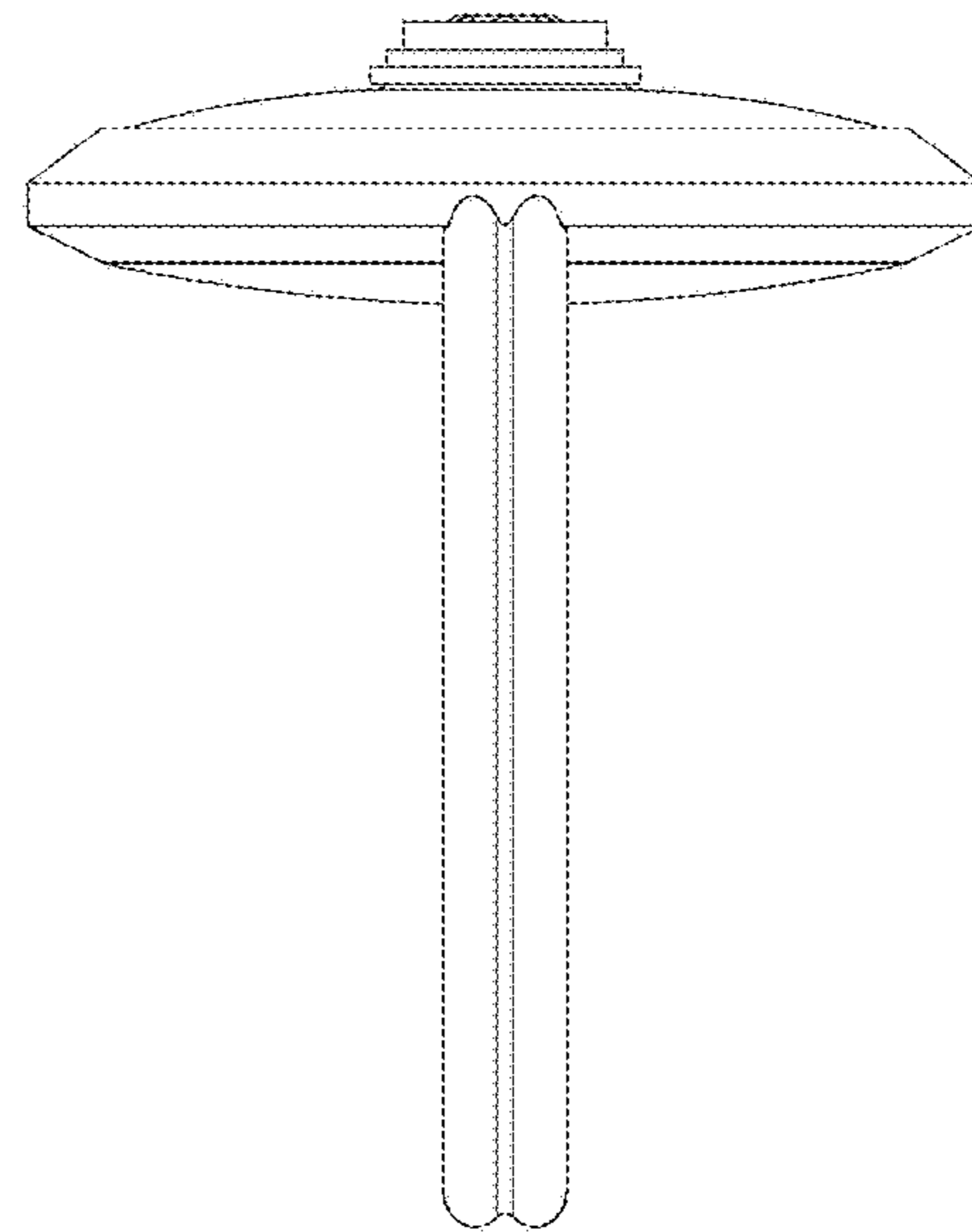


FIG 4

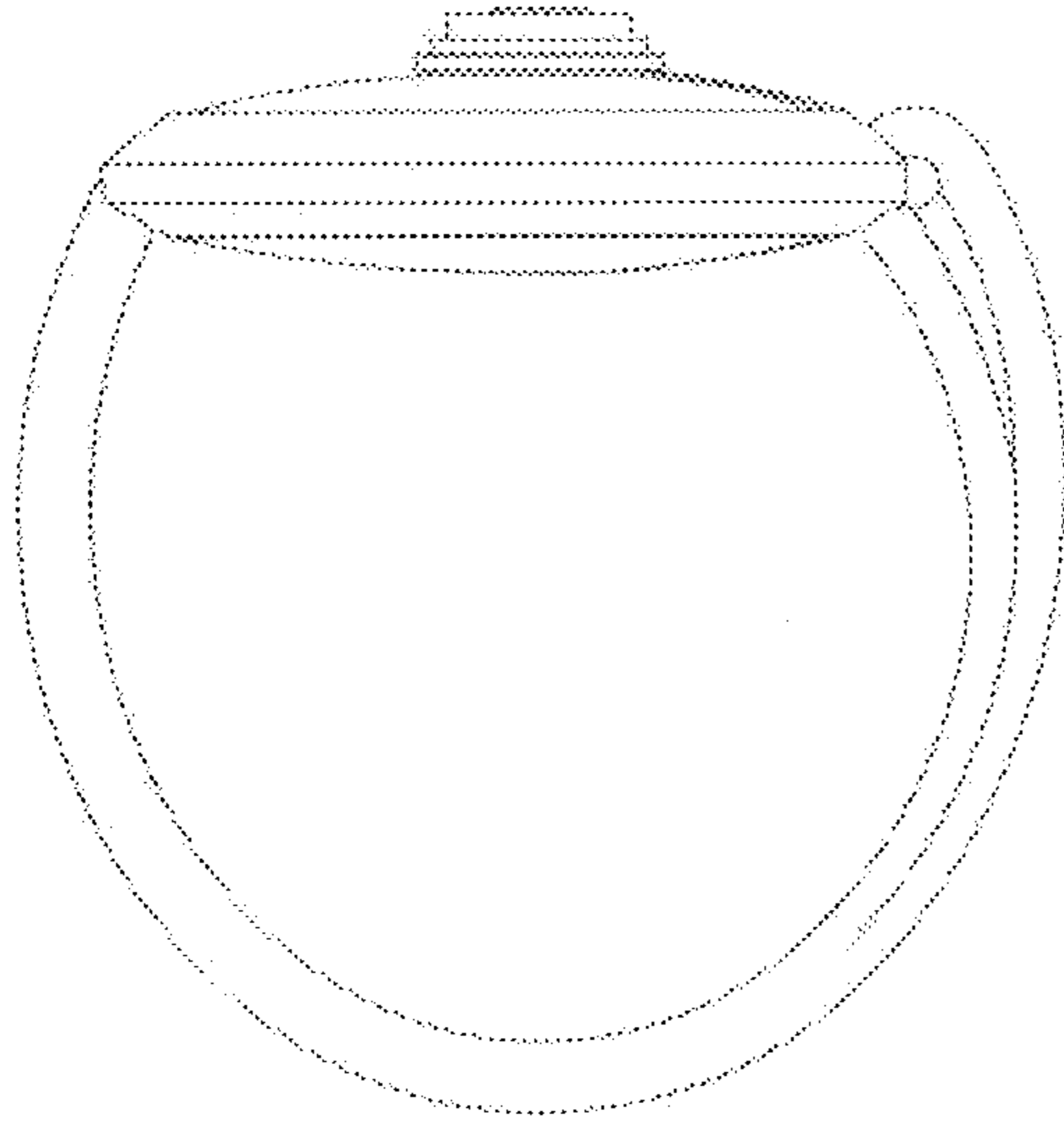


FIG. 5

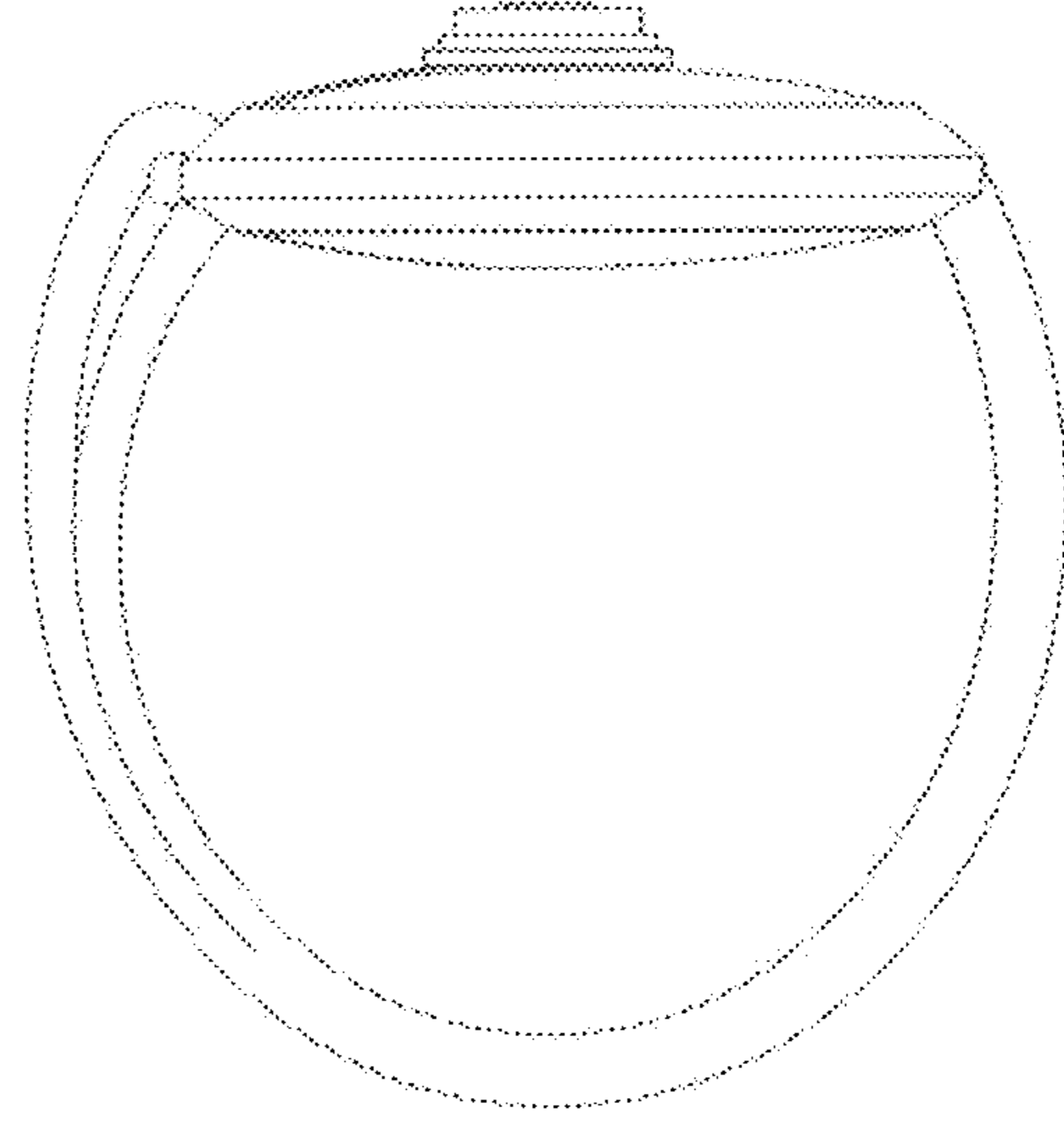


FIG. 6

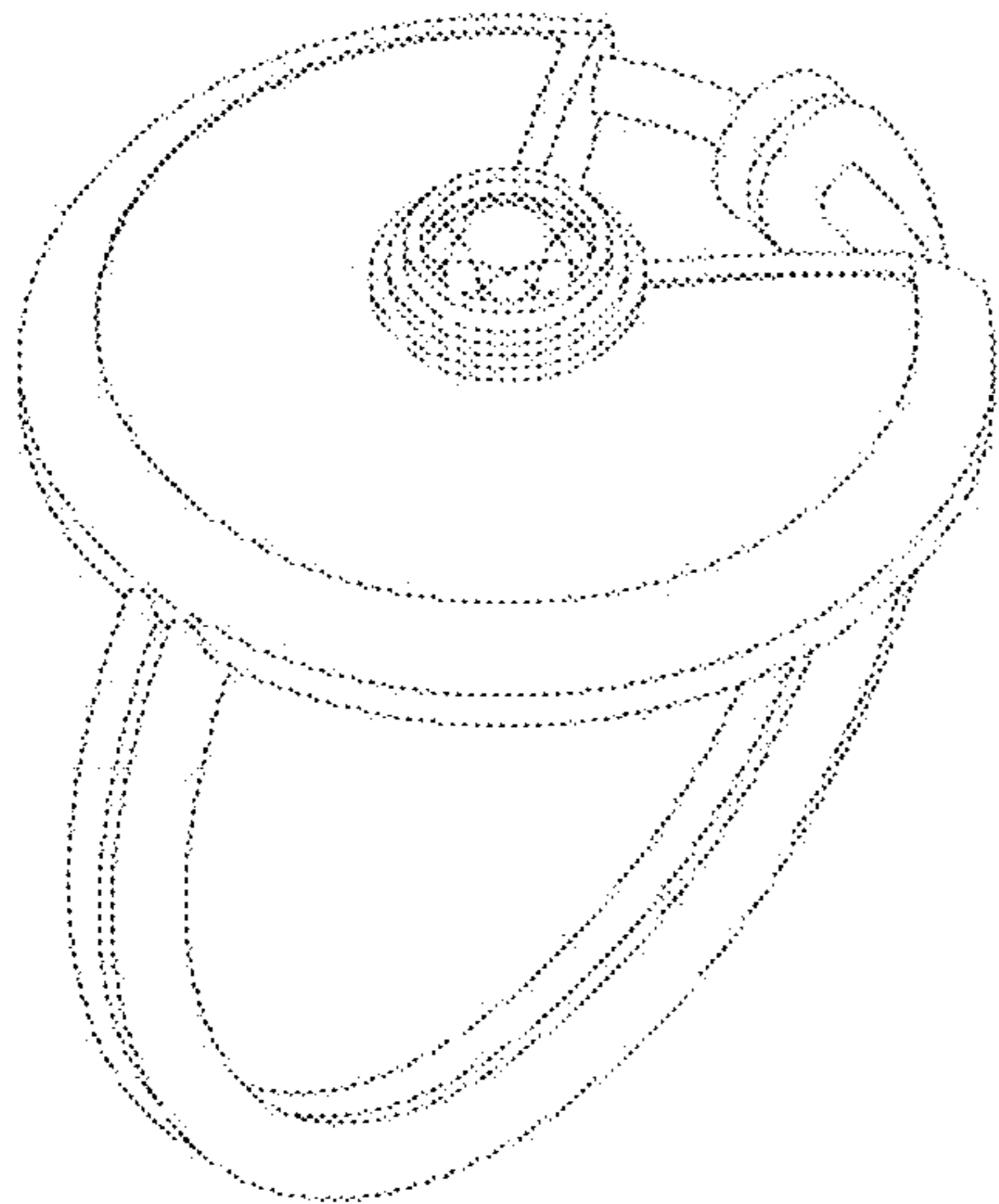


FIG. 7

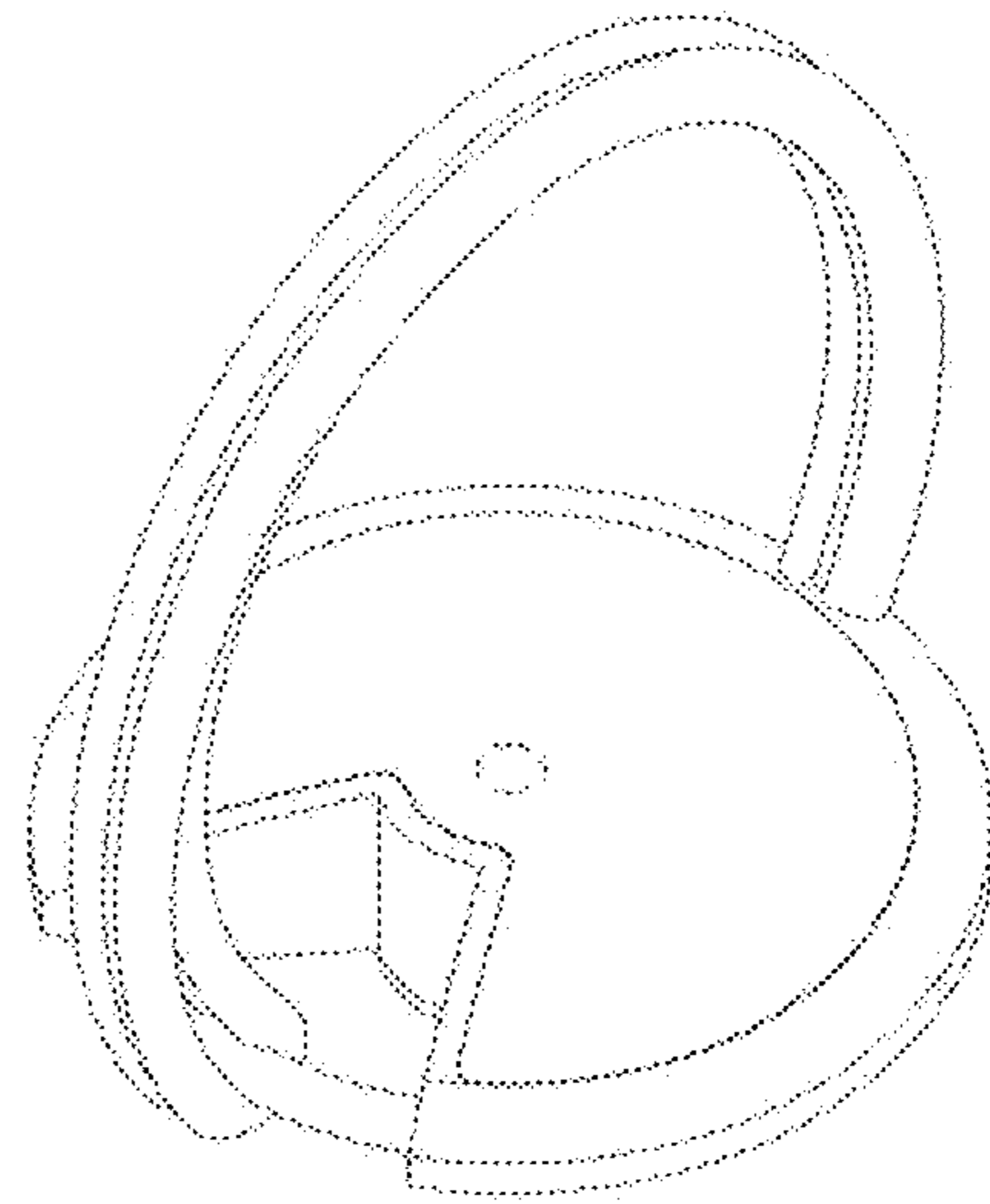


FIG. 8