



US00D791004S

(12) **United States Design Patent**
Cobbett et al.

(10) **Patent No.:** **US D791,004 S**
(45) **Date of Patent:** **** Jul. 4, 2017**

(54) **ARM BAND**

(71) Applicant: **NIKE, Inc.**, Beaverton, OR (US)

(72) Inventors: **Jamian R. Cobbett**, Portland, OR (US); **Kevin C. Sze**, Portland, OR (US)

(73) Assignee: **NIKE, Inc.**, Beaverton, OR (US)

(**) Term: **15 Years**

(21) Appl. No.: **29/541,421**

(22) Filed: **Oct. 2, 2015**

(51) **LOC (10) Cl.** **11-01**

(52) **U.S. Cl.**
USPC **D11/3**

(58) **Field of Classification Search**

USPC D11/1-45; D14/344; D24/189, 200;
D3/215, 218, 221, 226, 228; D10/70;
D29/120.1

CPC ... A44C 5/0007; A44C 5/0015; A44C 5/0023;
A44C 5/003; A44C 5/0038; A44C
5/0053; A44C 5/0061; A44C 5/0069;
A44C 5/0084; A44C 5/0092; A44C 5/02;
A44C 5/022; A44C 5/025; A44C 5/04;
A44C 5/10; A44C 5/102; A44C 5/105;
A44C 5/107; A44C 5/12; A44C 5/14;
A44C 5/142; A44C 5/18; A44C 5/185;
A44C 5/20; A44C 5/22; A44C 5/2009;
A44C 5/2023; A44C 9/00; A44C 9/0038;
A44C 9/0046; A44C 9/0069; A44C
9/0084; A44C 9/02; A45F 3/00; A45F
2003/008; A45F 5/00; A45F 2005/002;
A45F 2005/008; A45F 2200/0508; A45F
2200/0516; A41D 20/00; A41D 20/005

See application file for complete search history.

(56) **References Cited**

U.S. PATENT DOCUMENTS

D272,105 S * 1/1984 Dryzal D29/120.1
4,832,010 A * 5/1989 Lerman A61F 2/7812
2/16

D316,915 S * 5/1991 Dryzal D29/120.1
D701,001 S * 3/2014 Daniel D29/120.1
D708,846 S * 7/2014 Waldon D3/218
2004/0250933 A1* 12/2004 DeMichele A45C 11/18
150/145

(Continued)

Primary Examiner — Cynthia Ramirez

Assistant Examiner — Llorellys Martinez-Rivera

(74) *Attorney, Agent, or Firm* — Banner & Witcoff, Ltd.

(57) **CLAIM**

The ornamental design for an arm band, as shown and described.

DESCRIPTION

FIG. 1 is a front perspective view of a first embodiment of an arm band showing our new design in an in-use configuration;

FIG. 2 is a front view thereof;

FIG. 3 is a rear view thereof;

FIG. 4 is a left side view thereof;

FIG. 5 is a right side view thereof;

FIG. 6 is a top view thereof;

FIG. 7 is a bottom view thereof;

FIG. 8 is a front perspective view of a second embodiment of arm band showing our new design in an in-use configuration;

FIG. 9 is a front view thereof;

FIG. 10 is a rear view thereof;

FIG. 11 is a left side view thereof;

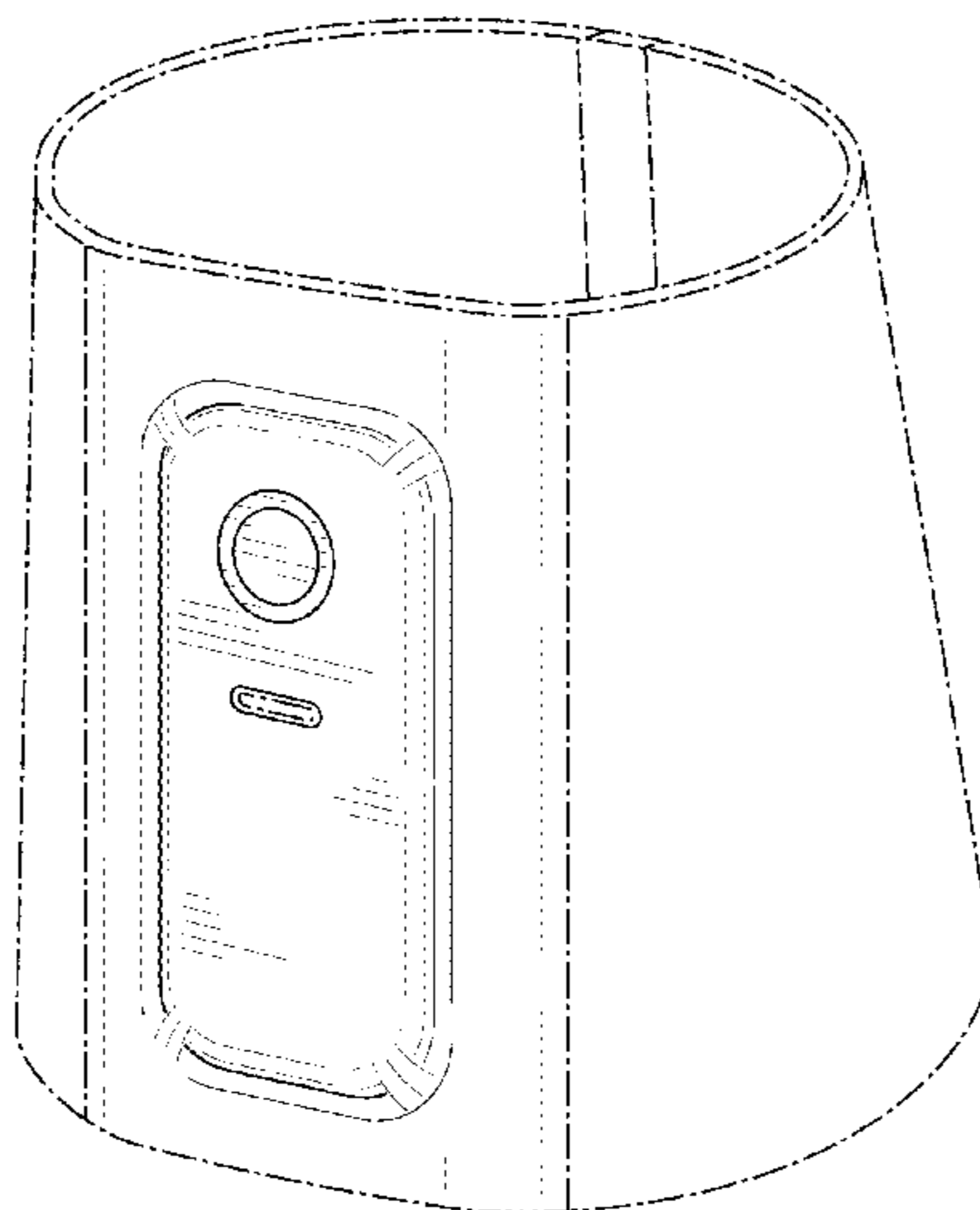
FIG. 12 is a right side view thereof;

FIG. 13 is a top view thereof; and,

FIG. 14 is a bottom view thereof.

The broken lines immediately adjacent to the shaded area represent the bounds of the claimed design while all other broken lines are directed to environment and are for illustrative purposes only; the broken lines form no part of the claimed design.

1 Claim, 14 Drawing Sheets



(56)

References Cited

U.S. PATENT DOCUMENTS

2006/0026730 A1* 2/2006 Terczak A41D 13/08
2/59
2006/0117458 A1* 6/2006 Ishihara A44C 5/14
2/170
2007/0194066 A1* 8/2007 Ishihara A44C 5/0015
224/164
2008/0141436 A1* 6/2008 Morgan A41D 13/01
2/170
2011/0057003 A1* 3/2011 Wysocki A45F 5/00
224/222
2012/0080462 A1* 4/2012 Hajarjian A45F 5/00
224/219
2012/0174278 A1* 7/2012 Spivak A41D 13/08
2/16
2014/0131402 A1* 5/2014 Holmes A45F 5/00
224/222
2016/0135522 A1* 5/2016 Rothschild A41D 20/00
2/170
2016/0136882 A1* 5/2016 Cobbett A61B 5/0205
156/218
2016/0192516 A1* 6/2016 Thompson A45F 5/00
224/219
2016/0206083 A1* 7/2016 Gomez A45F 5/00

* cited by examiner

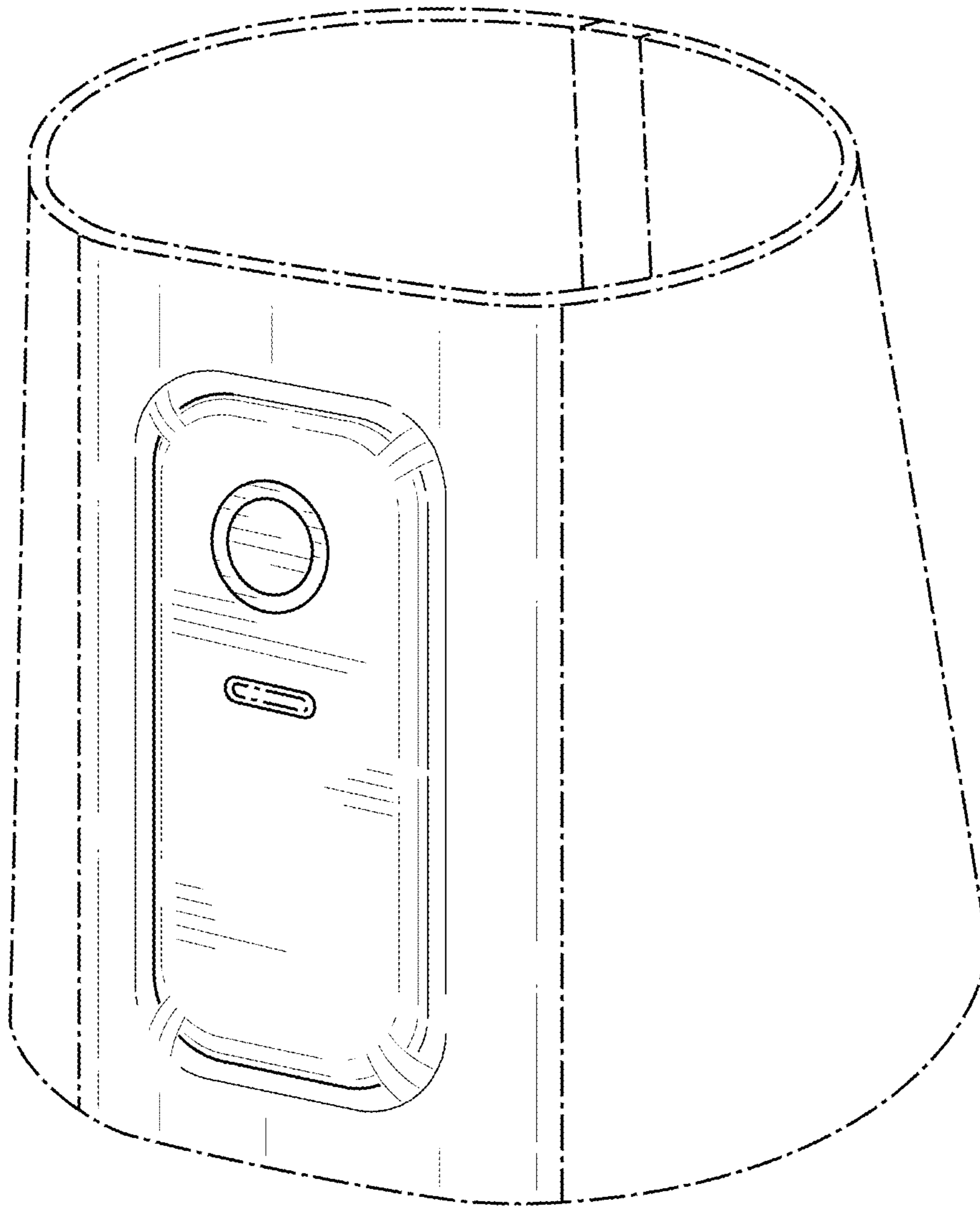


FIG. 1

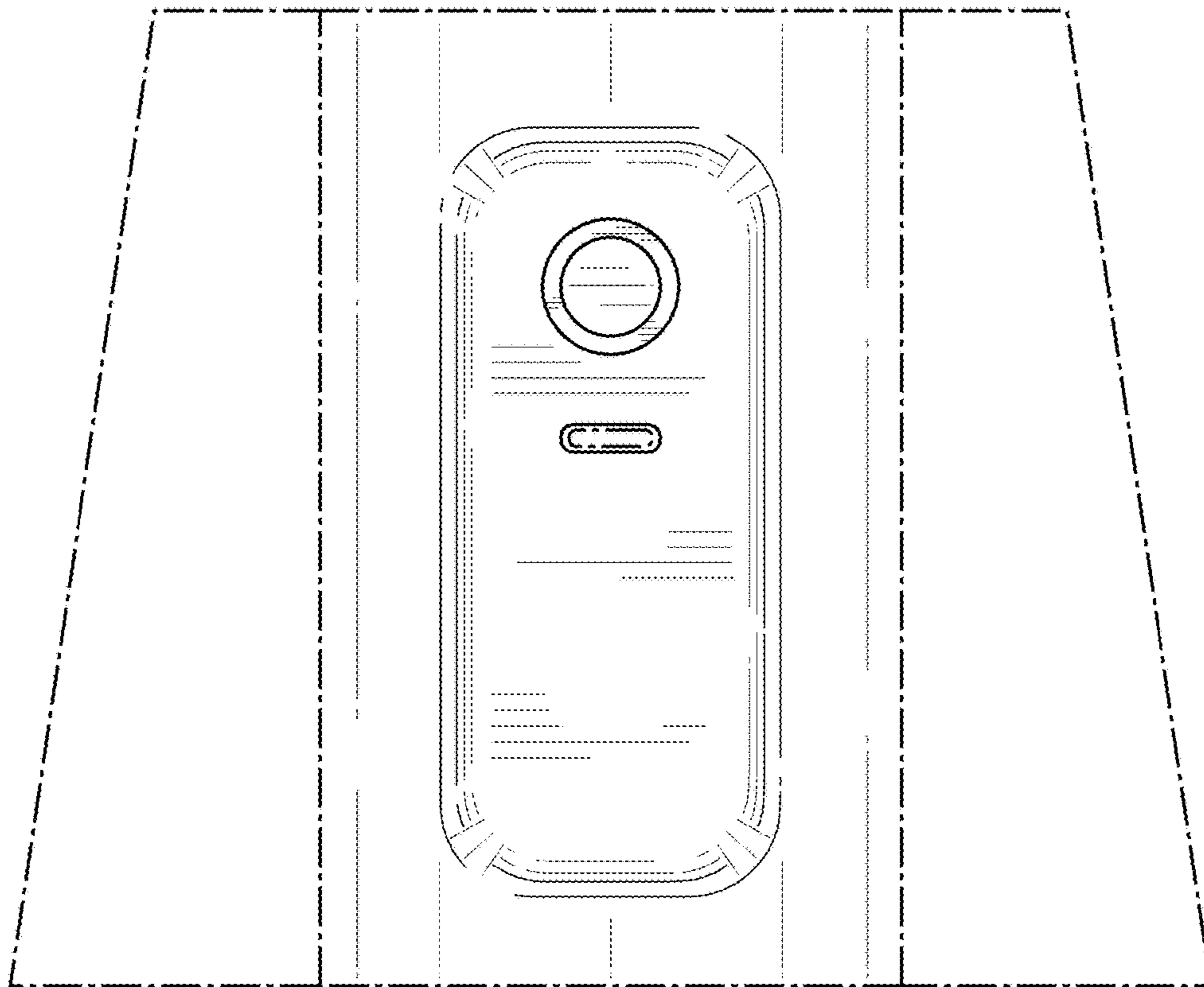


FIG. 2

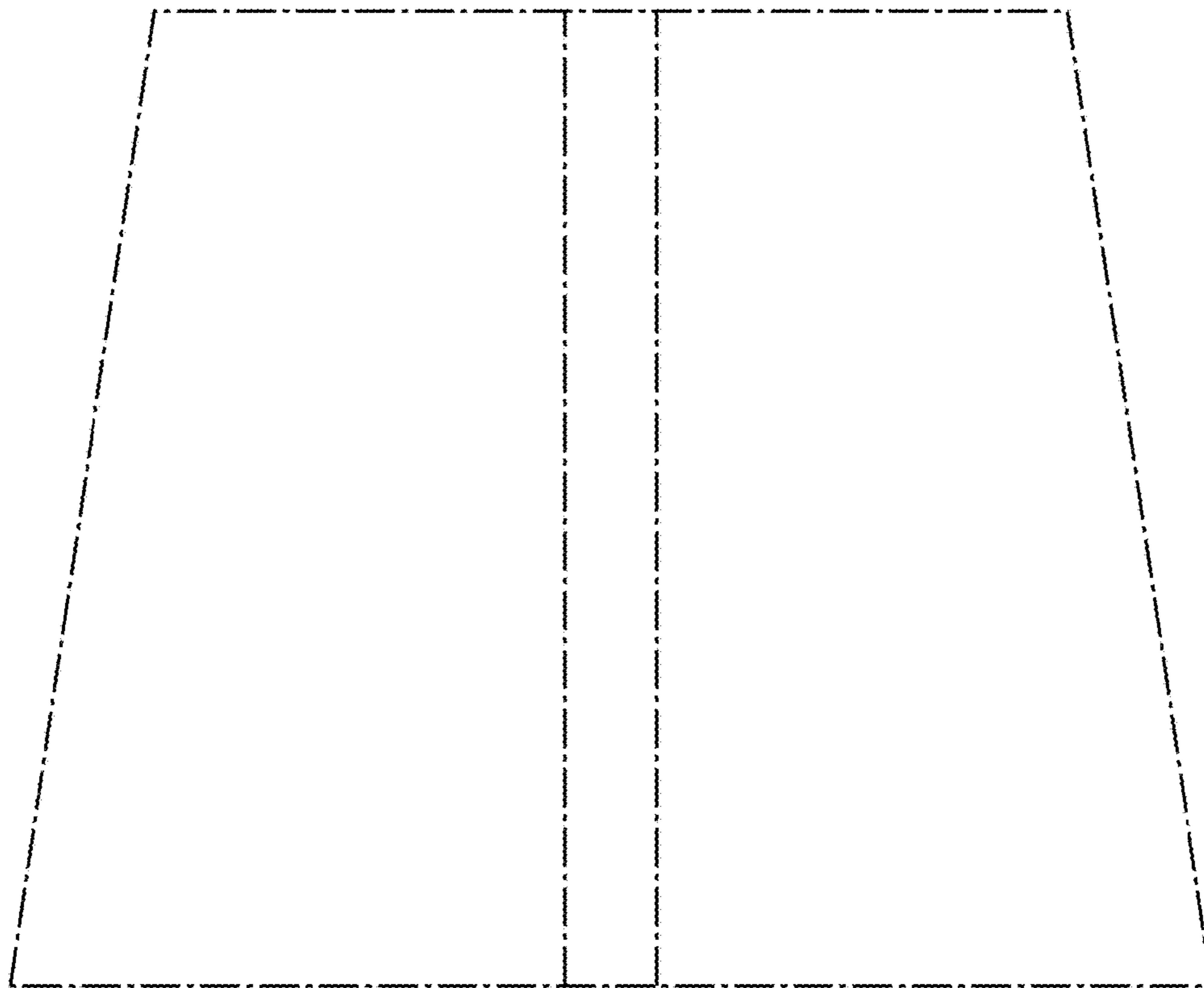


FIG. 3

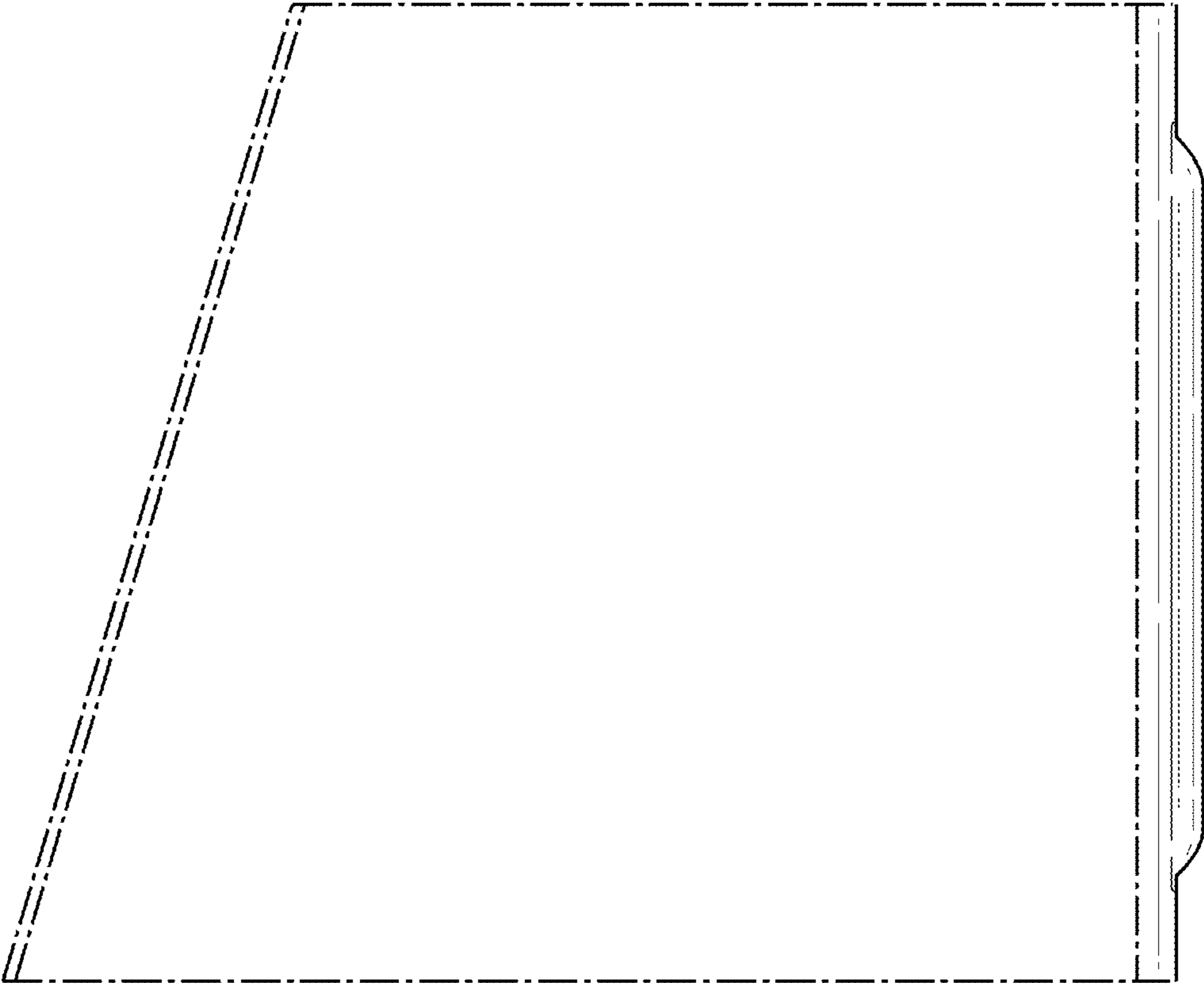


FIG. 4

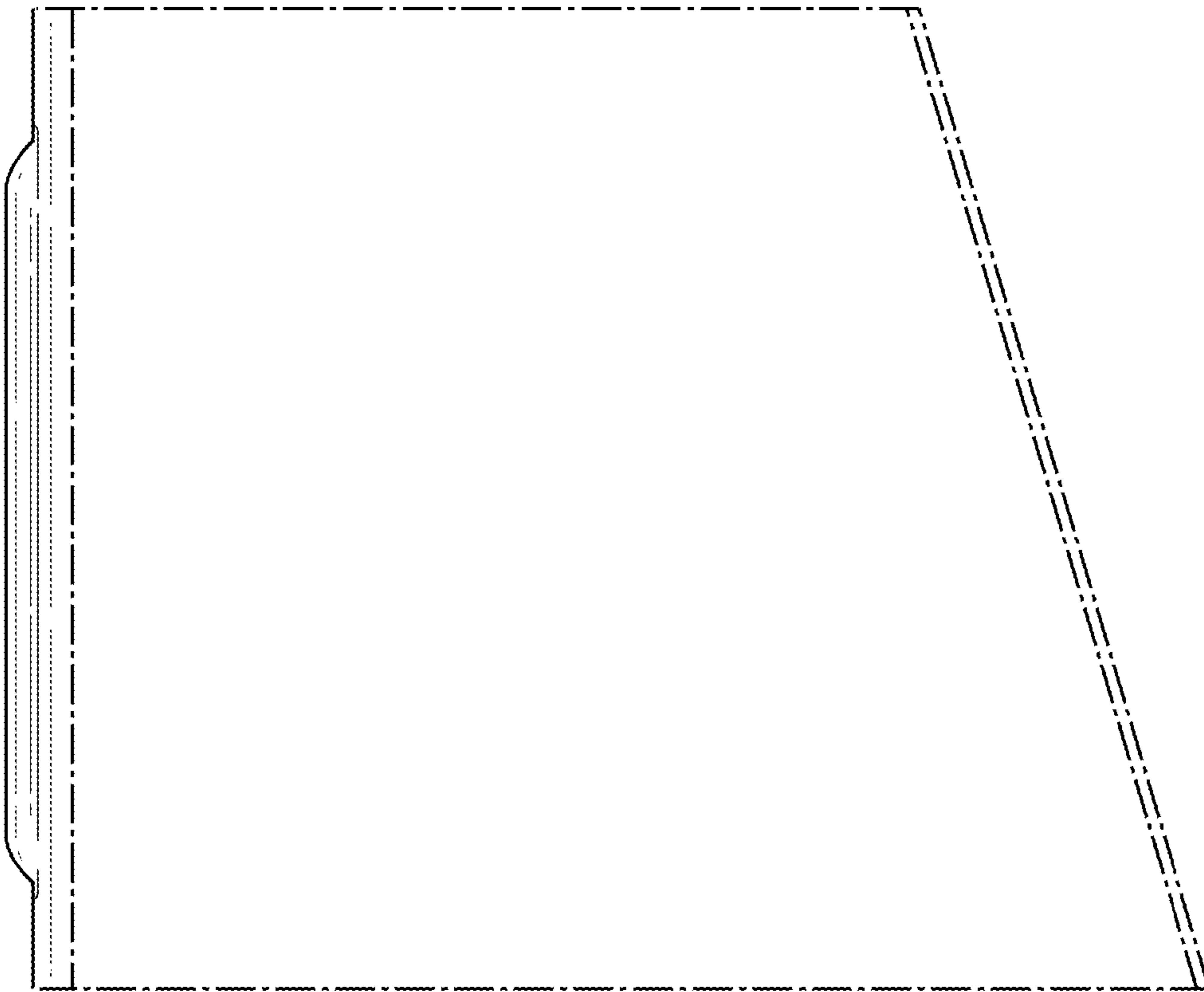


FIG. 5

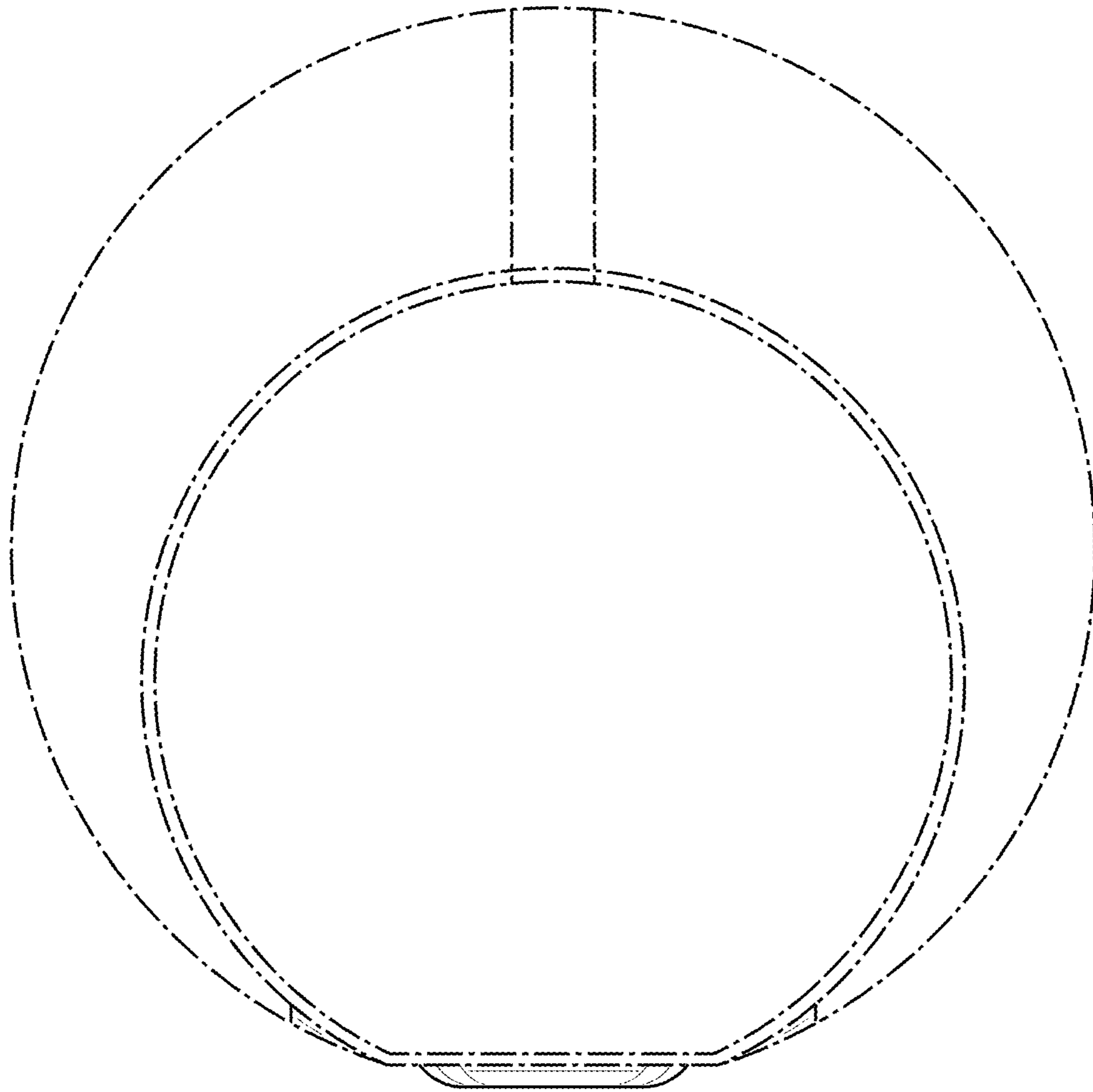


FIG. 6

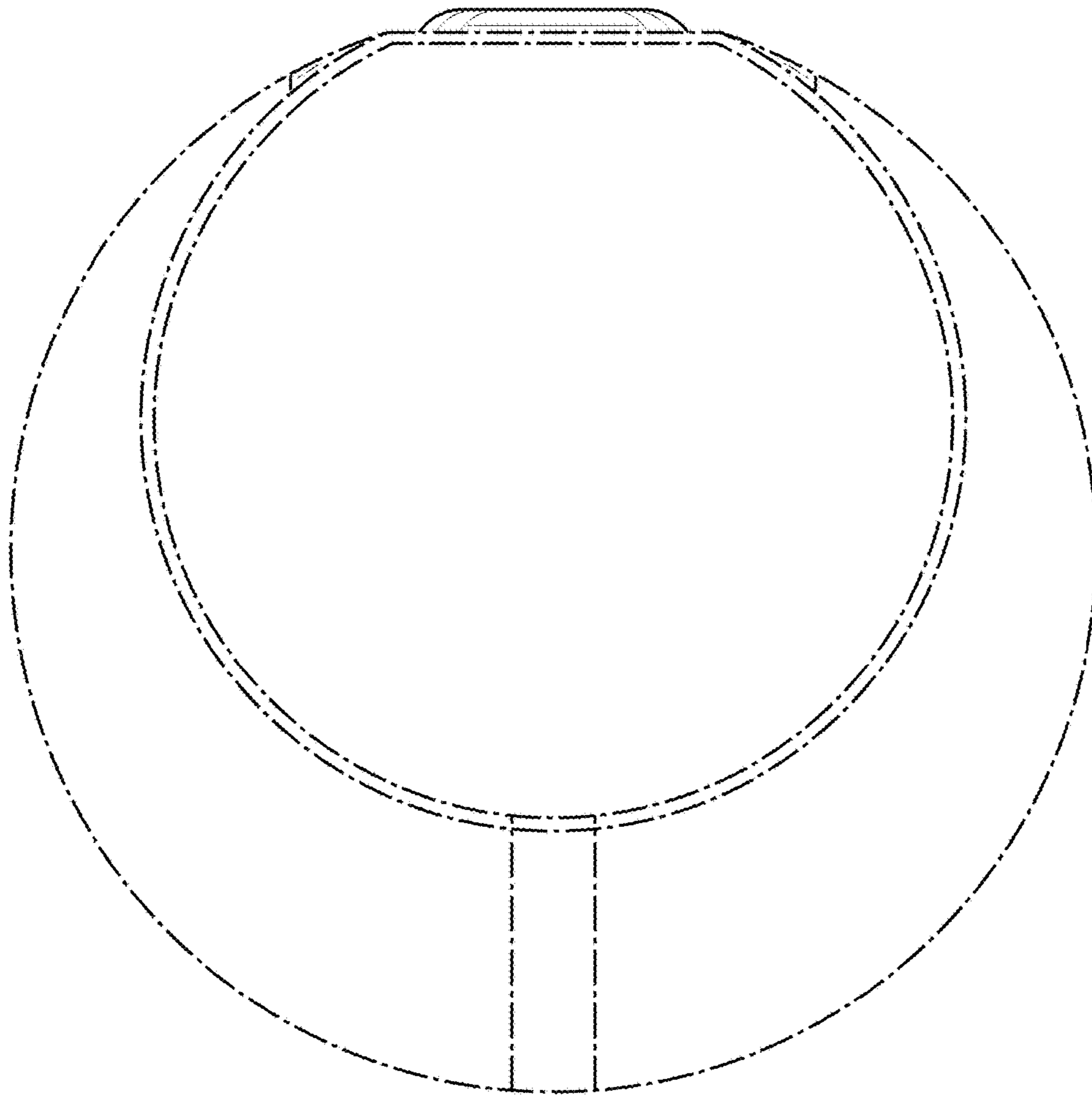


FIG. 7

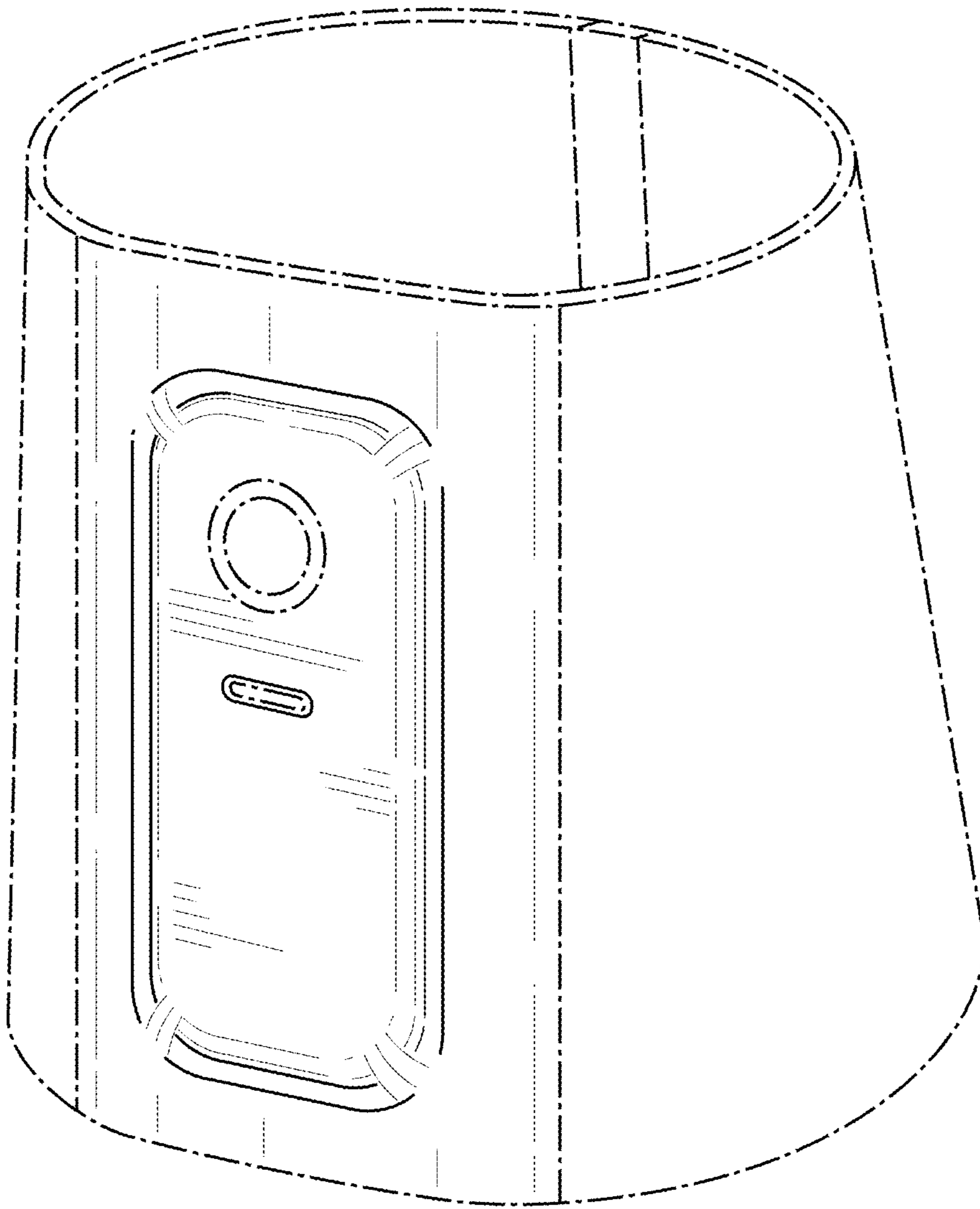


FIG. 8

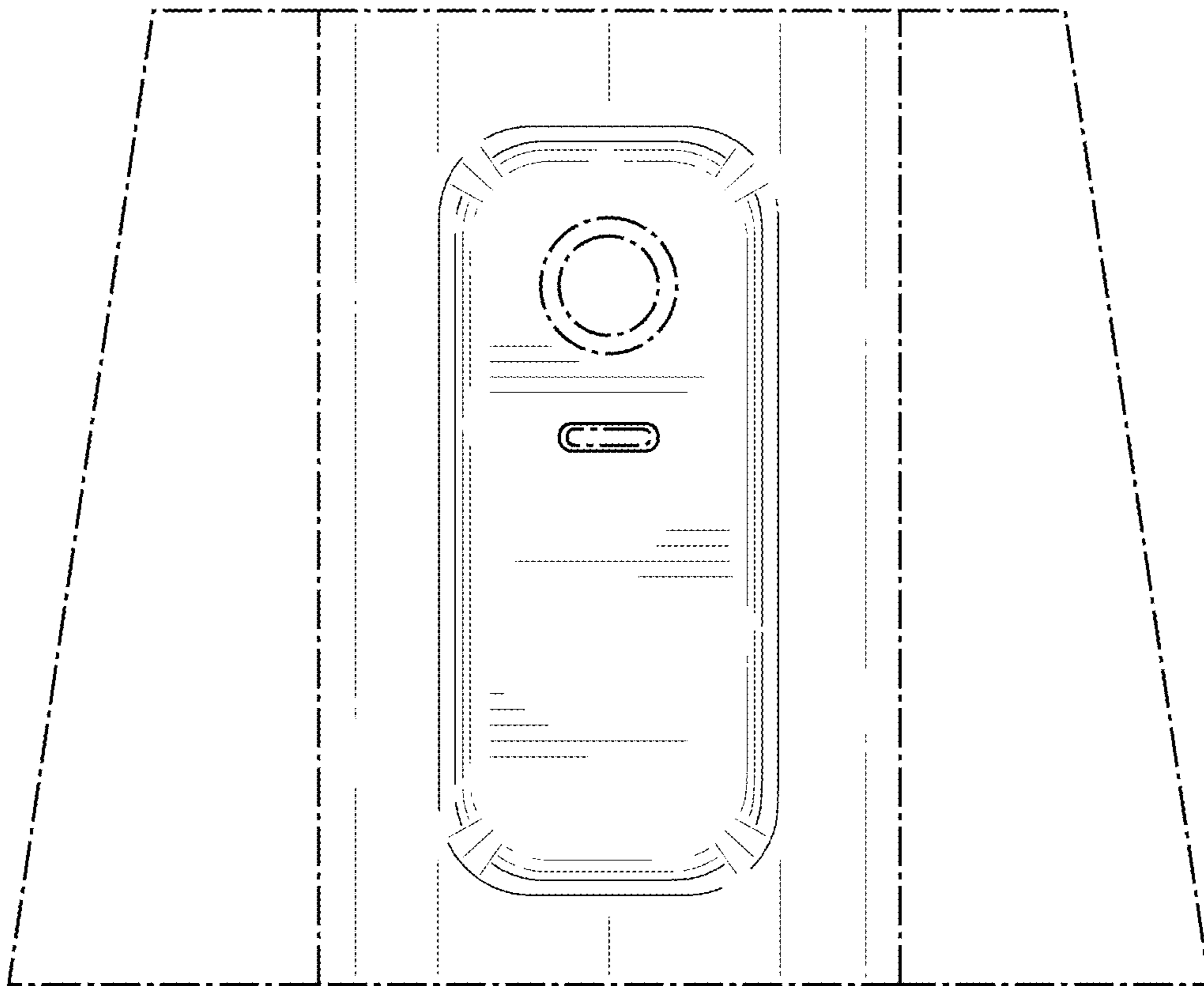


FIG. 9

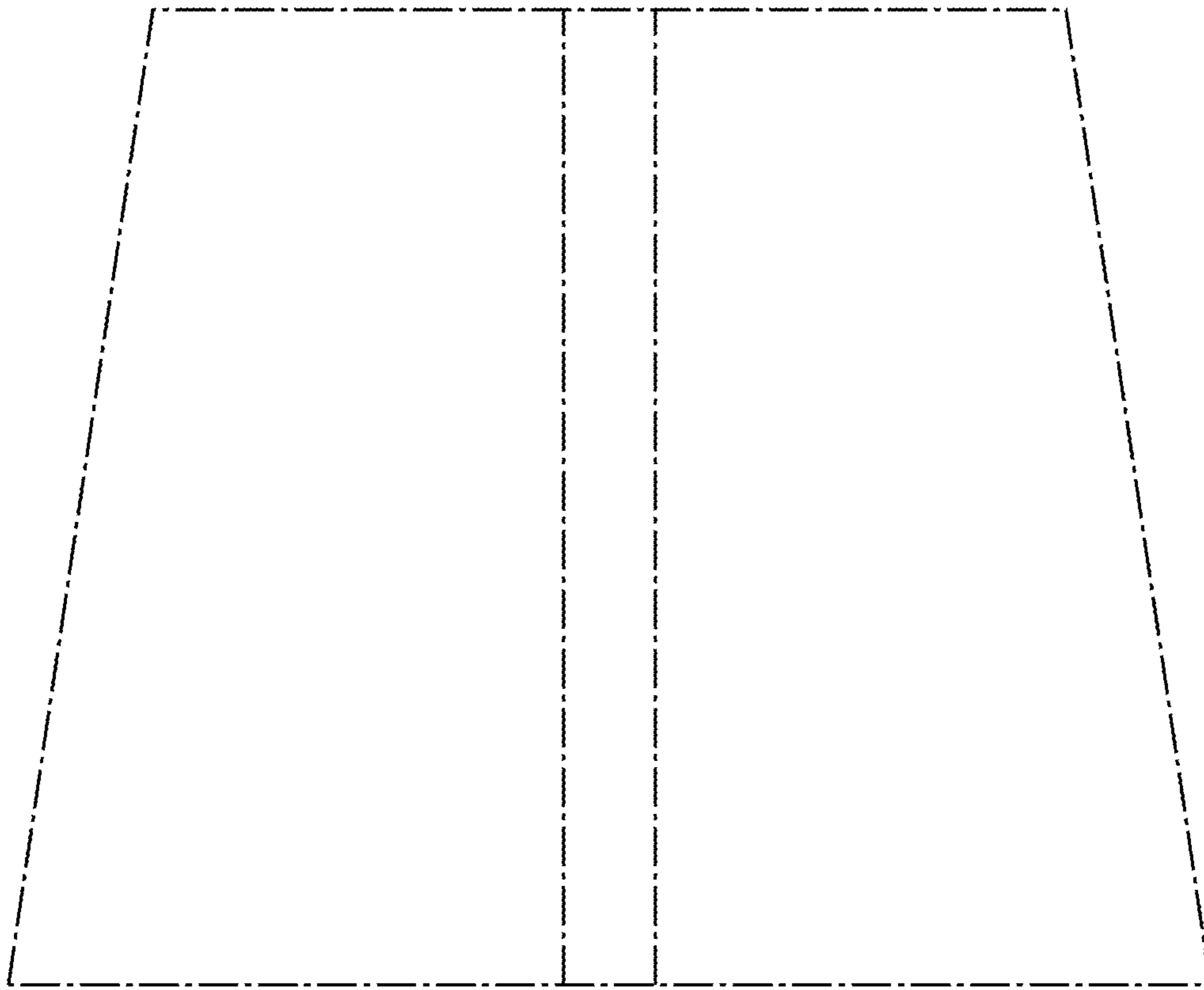


FIG. 10

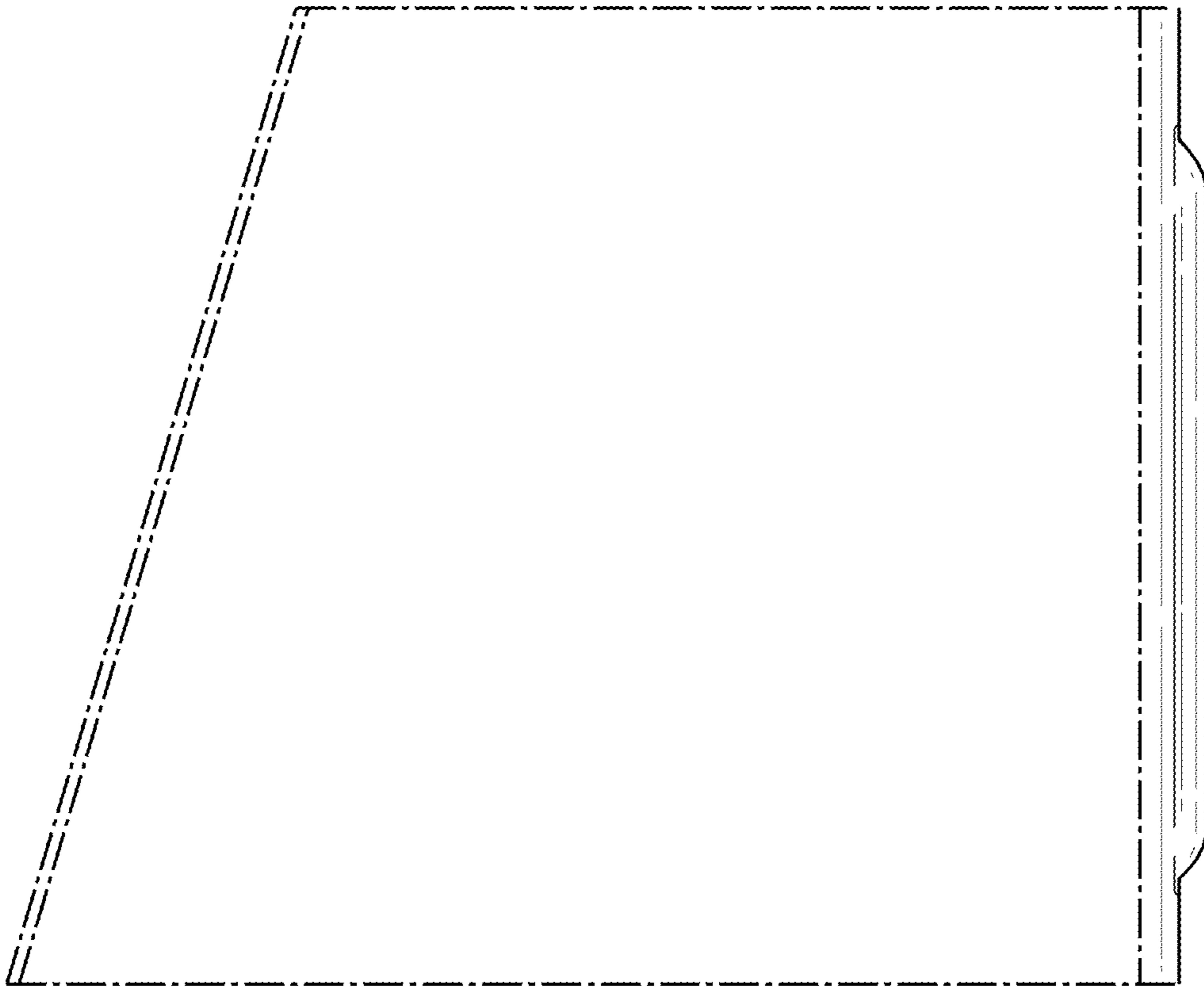


FIG. 11

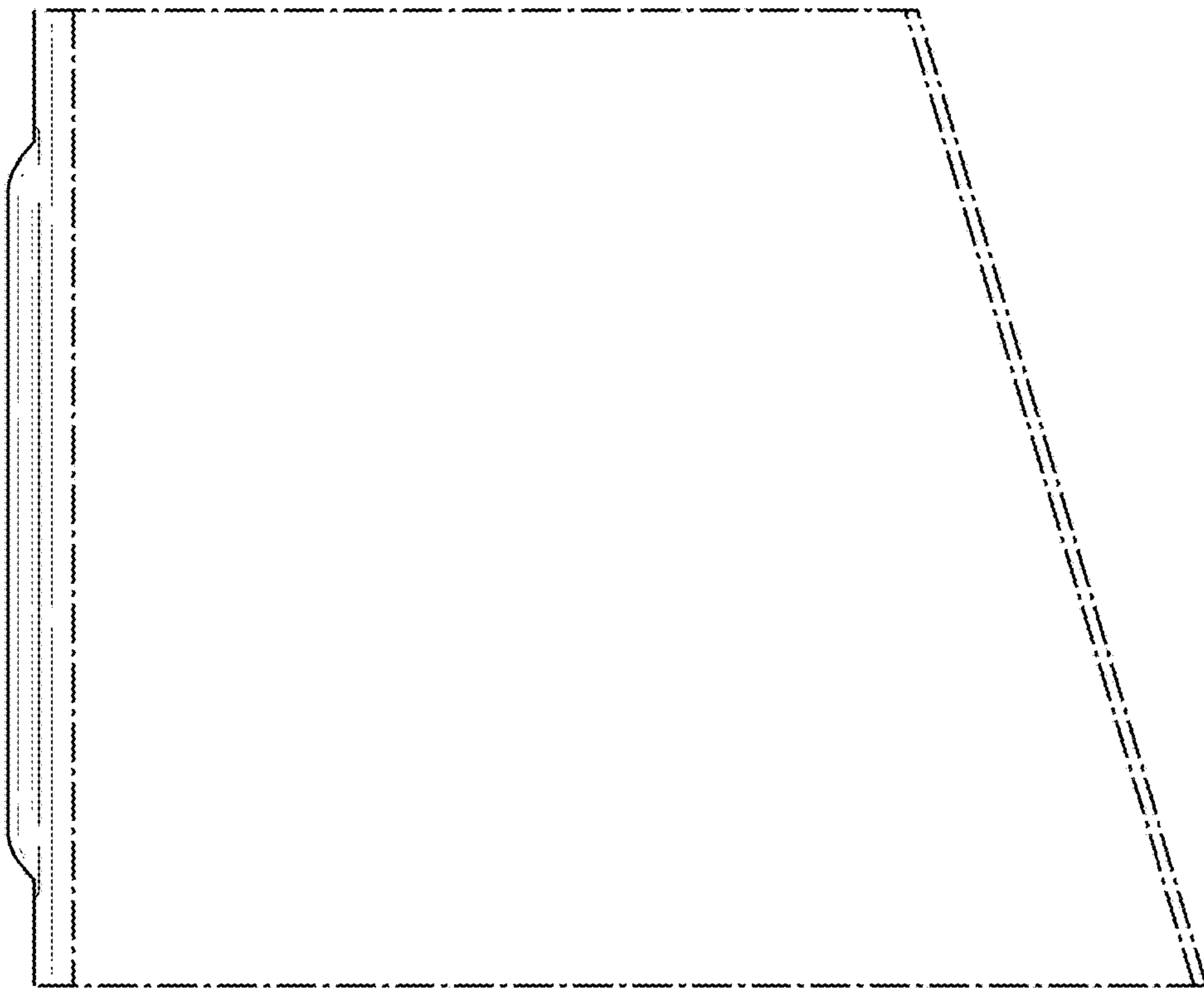


FIG. 12

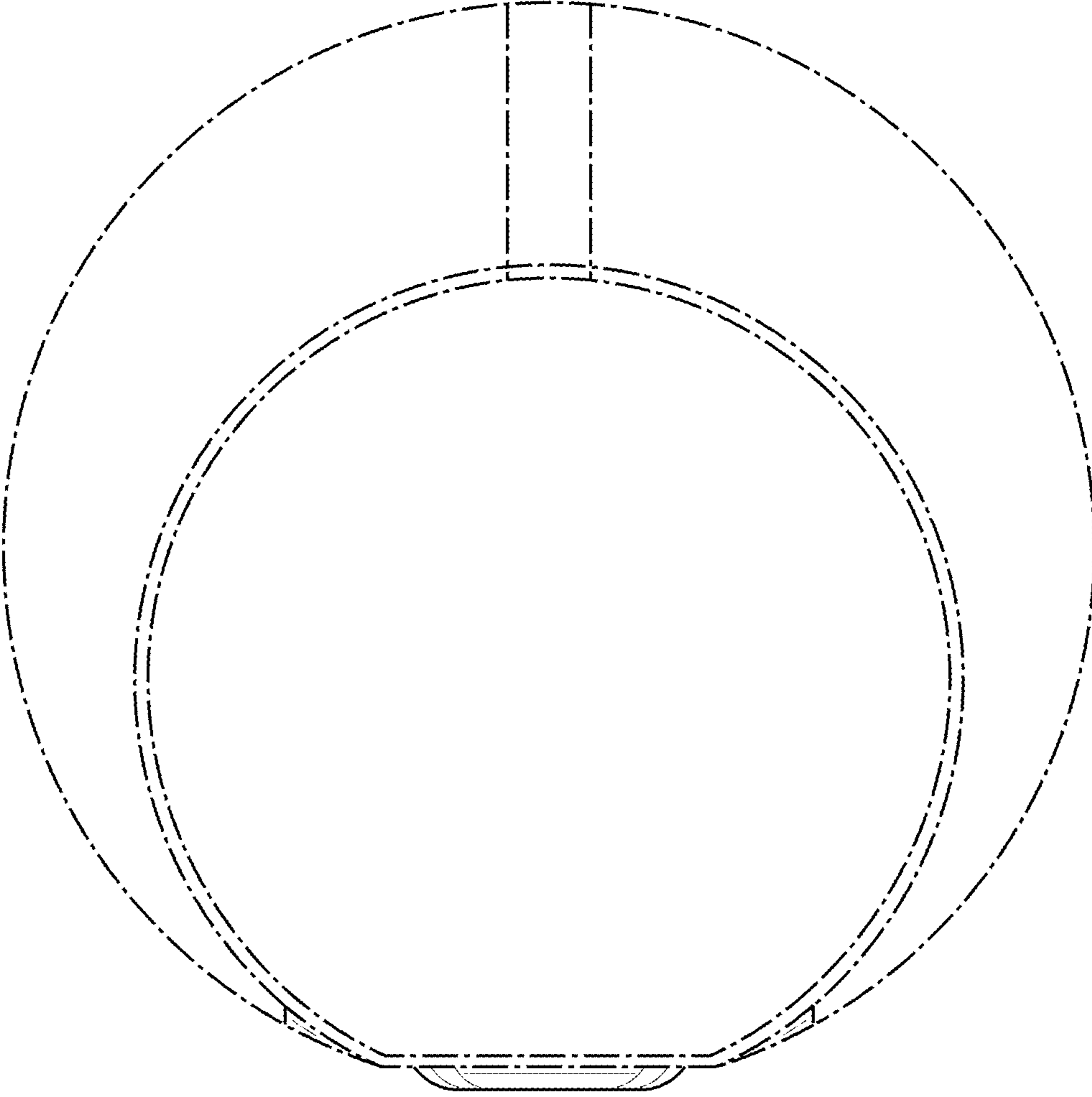


FIG. 13

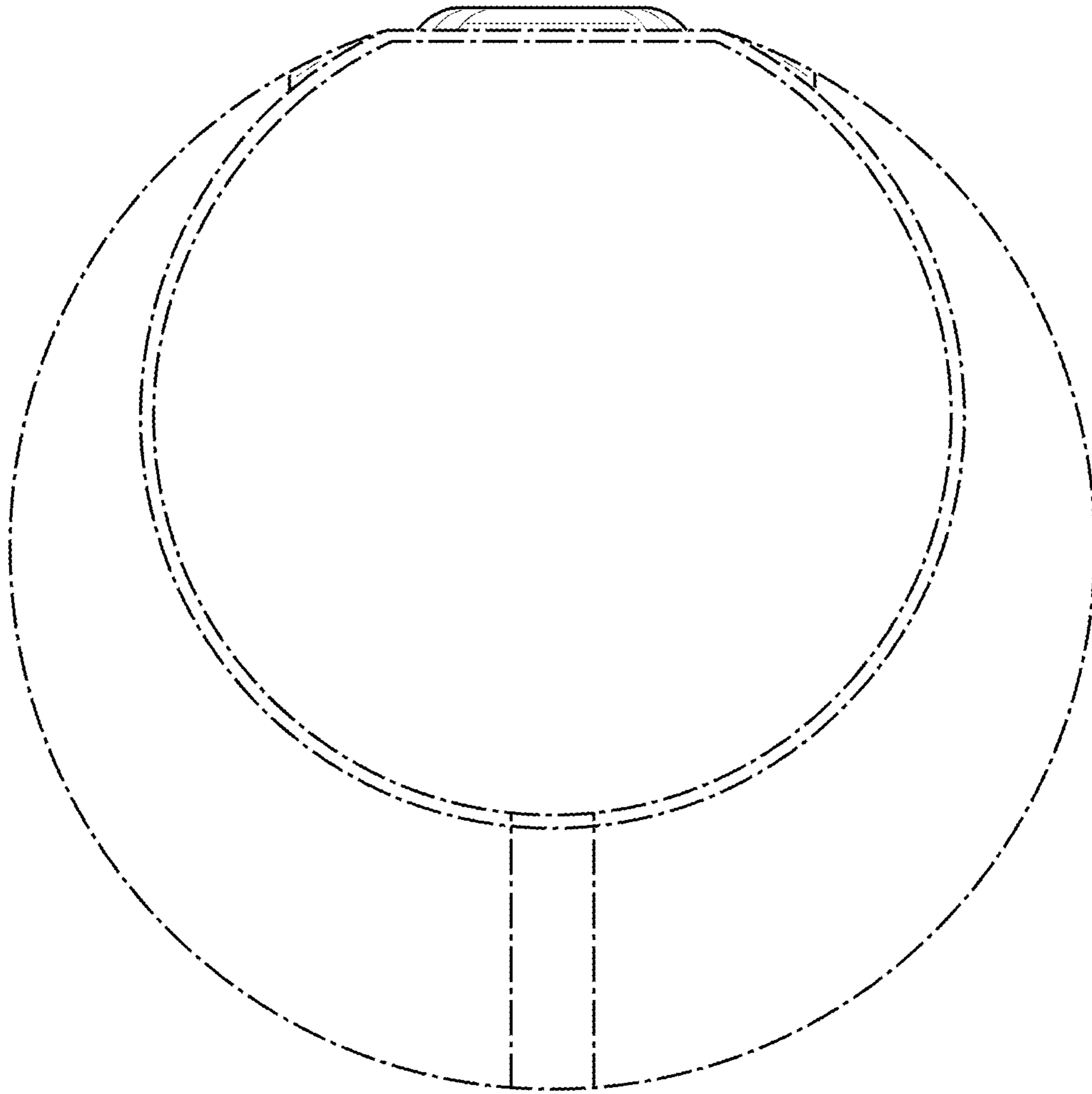


FIG. 14