



US00D791003S

(12) **United States Design Patent**  
**Ruffieux**

(10) **Patent No.:** **US D791,003 S**  
(45) **Date of Patent:** **\*\* Jul. 4, 2017**

- (54) **WATCH DIAL**
- (71) Applicant: **Montblanc-Simplo GmbH**, Hamburg (DE)
- (72) Inventor: **Leila Ruffieux**, Neuchâtel (CH)
- (73) Assignee: **Montblanc-Simplo GmbH**, Hamburg (DE)
- (\*\*) Term: **14 Years**
- (21) Appl. No.: **29/525,745**
- (22) Filed: **May 1, 2015**
- (51) **LOC (10) Cl.** ..... **10-07**
- (52) **U.S. Cl.**  
USPC ..... **D10/126**
- (58) **Field of Classification Search**  
USPC ..... D10/1-29, 30-39, 45, 122-132; D11/44;  
248/114; 224/165; 368/80, 223, 228,  
368/232, 276, 281, 282, 288-290, 308,  
368/319  
CPC ..... G04B 19/06; G04B 19/10; G04B 19/12;  
G04B 19/08; G04B 19/103; G04B  
19/106; G04B 47/042; G04G 9/087  
See application file for complete search history.

D642,488 S *	8/2011	Ruffieux	.....	D10/126
D687,329 S *	8/2013	Hamel	.....	D10/126
D688,580 S *	8/2013	Delhotal	.....	D10/124
D701,134 S *	3/2014	Cerrato	.....	D10/126
D752,468 S *	3/2016	Schneider	.....	D10/126
D754,017 S *	4/2016	Muller	.....	D10/126
2013/0028057 A1 *	1/2013	Nagatake	.....	G04B 47/044 368/228
2014/0064045 A1 *	3/2014	Bonhoff	.....	G04B 19/00 368/232
2015/0378310 A1 *	12/2015	Inoue	.....	B29C 66/1122 368/232

\* cited by examiner

*Primary Examiner* — Manpreet Matharu  
*Assistant Examiner* — Keith Wilson  
(74) *Attorney, Agent, or Firm* — Taft Stettinius & Hollister LLP

(57) **CLAIM**

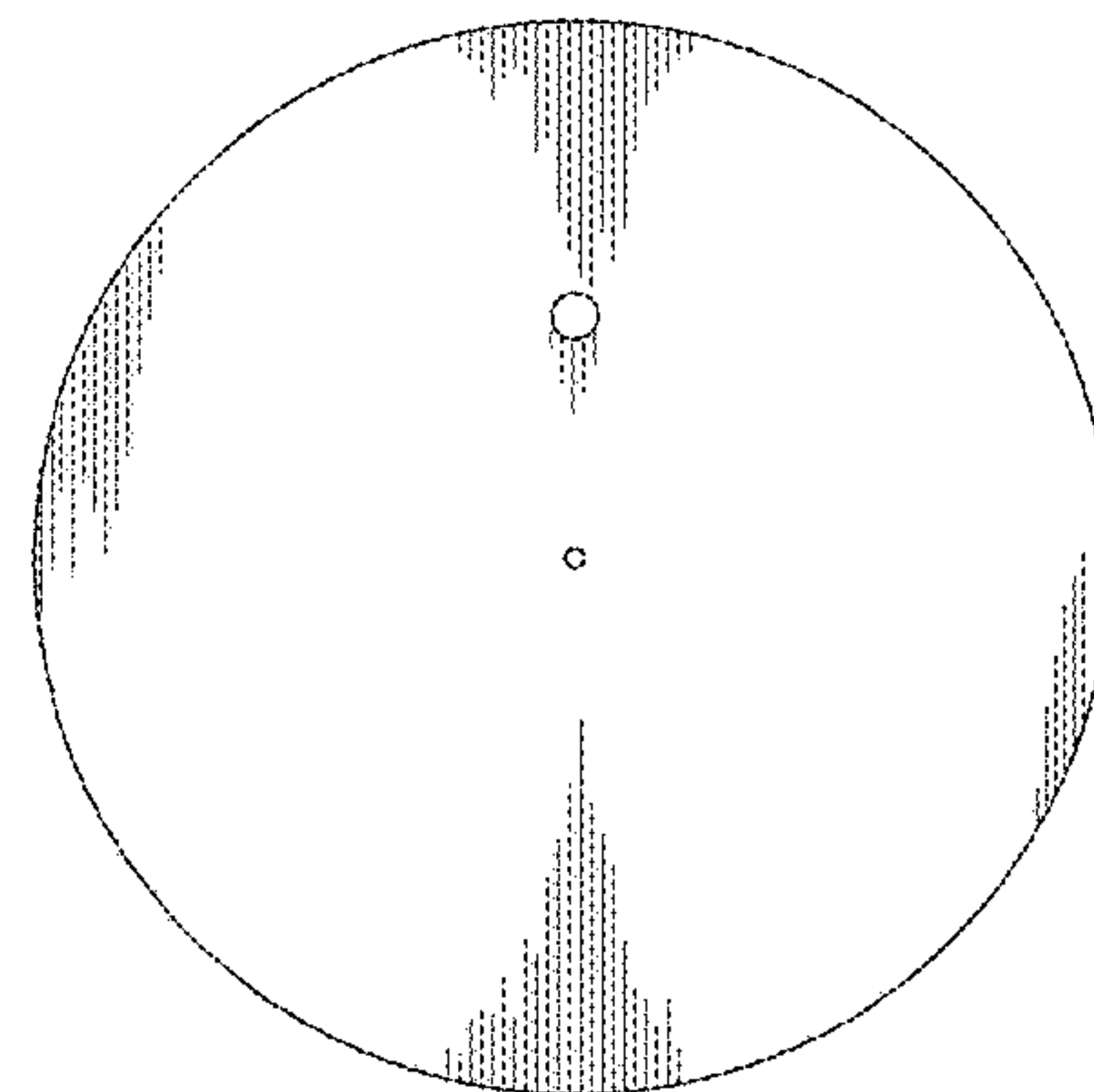
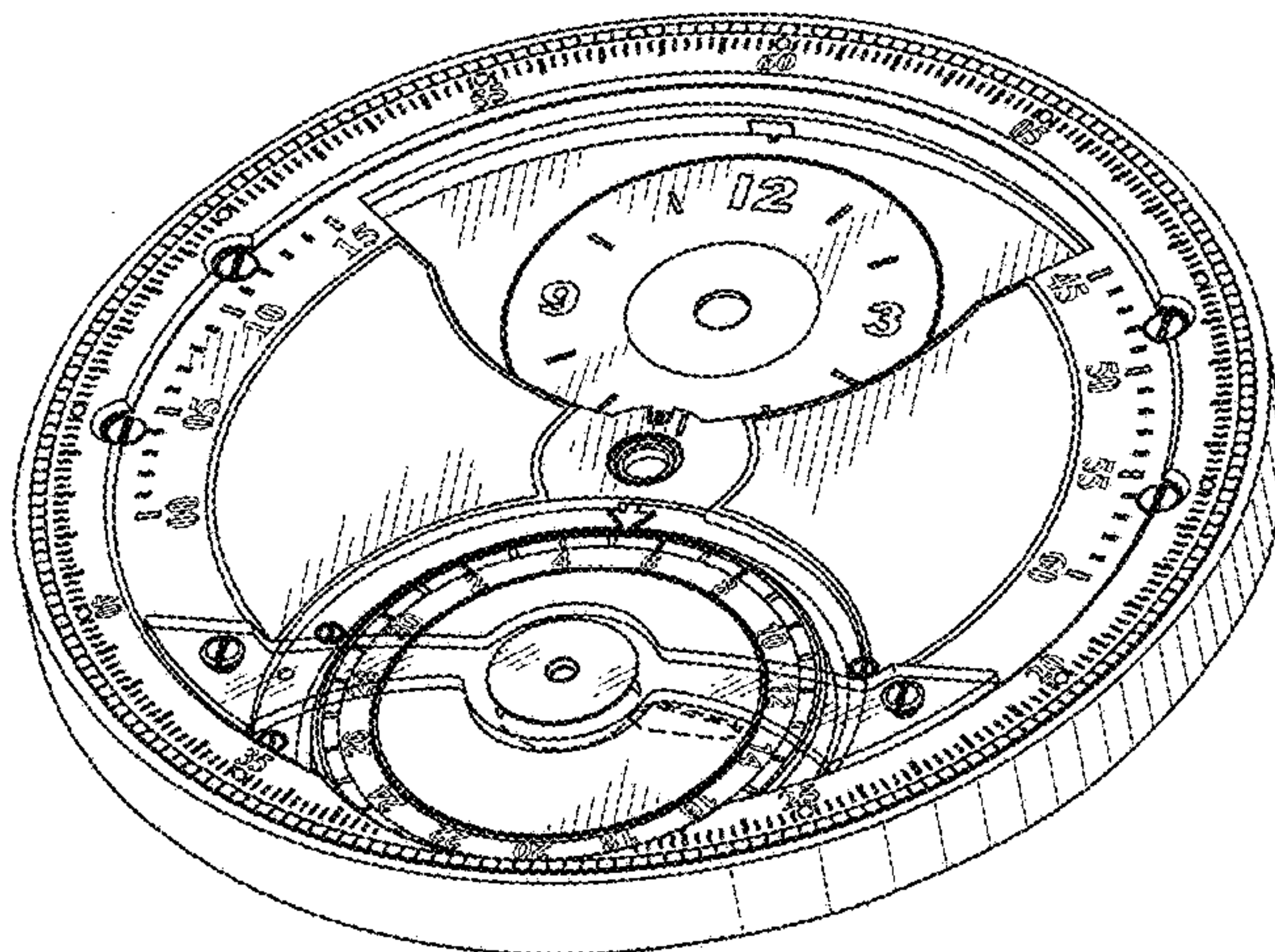
The ornamental design for a watch dial, as shown and described.

**DESCRIPTION**

FIG. 1 is a front-side perspective view of a watch dial of the present invention.  
FIG. 2 is a front side view of the watch dial of FIG. 1.  
FIG. 3 is a rear side view of the watch dial of FIG. 1.  
FIG. 4 is a top side view of the watch dial of FIG. 1.  
FIG. 5 is a bottom side view of the watch dial of FIG. 1.  
FIG. 6 is a right side view of the watch dial of FIG. 1; and, FIG. 7 is a left side view of the watch dial of FIG. 1.  
The broken lines in the drawings depict unclaimed subject matter.

**1 Claim, 3 Drawing Sheets**

- (56) **References Cited**  
U.S. PATENT DOCUMENTS  
D297,124 S \* 8/1988 Grinberg ..... D10/126  
D309,872 S \* 8/1990 Grinberg ..... D10/126  
D345,525 S \* 3/1994 Dumas ..... D10/126  
D564,930 S \* 3/2008 Kume ..... D10/126  
D579,371 S \* 10/2008 Calvani ..... D10/126  
D642,084 S \* 7/2011 Garcia ..... D10/124



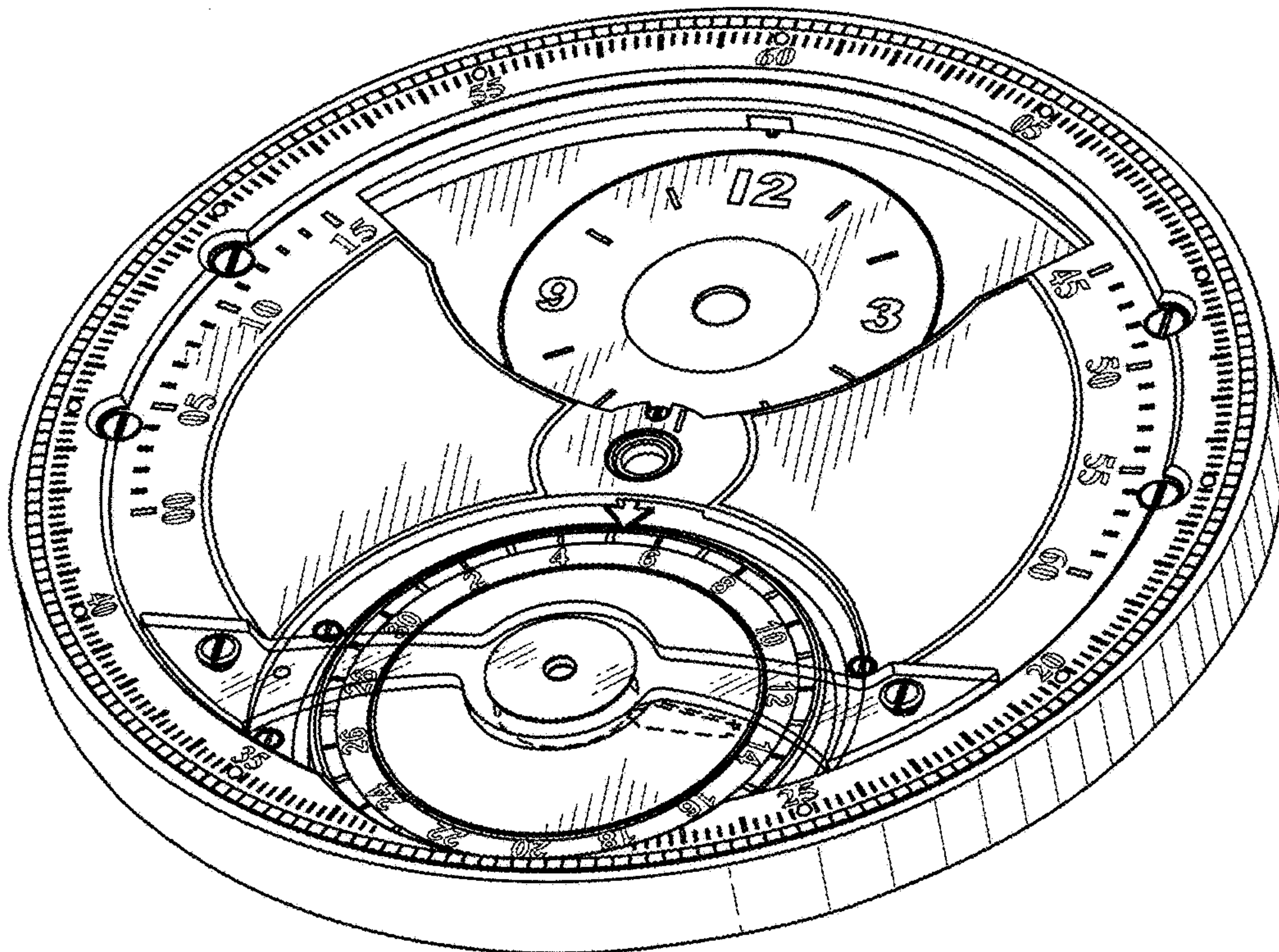


FIG. 1



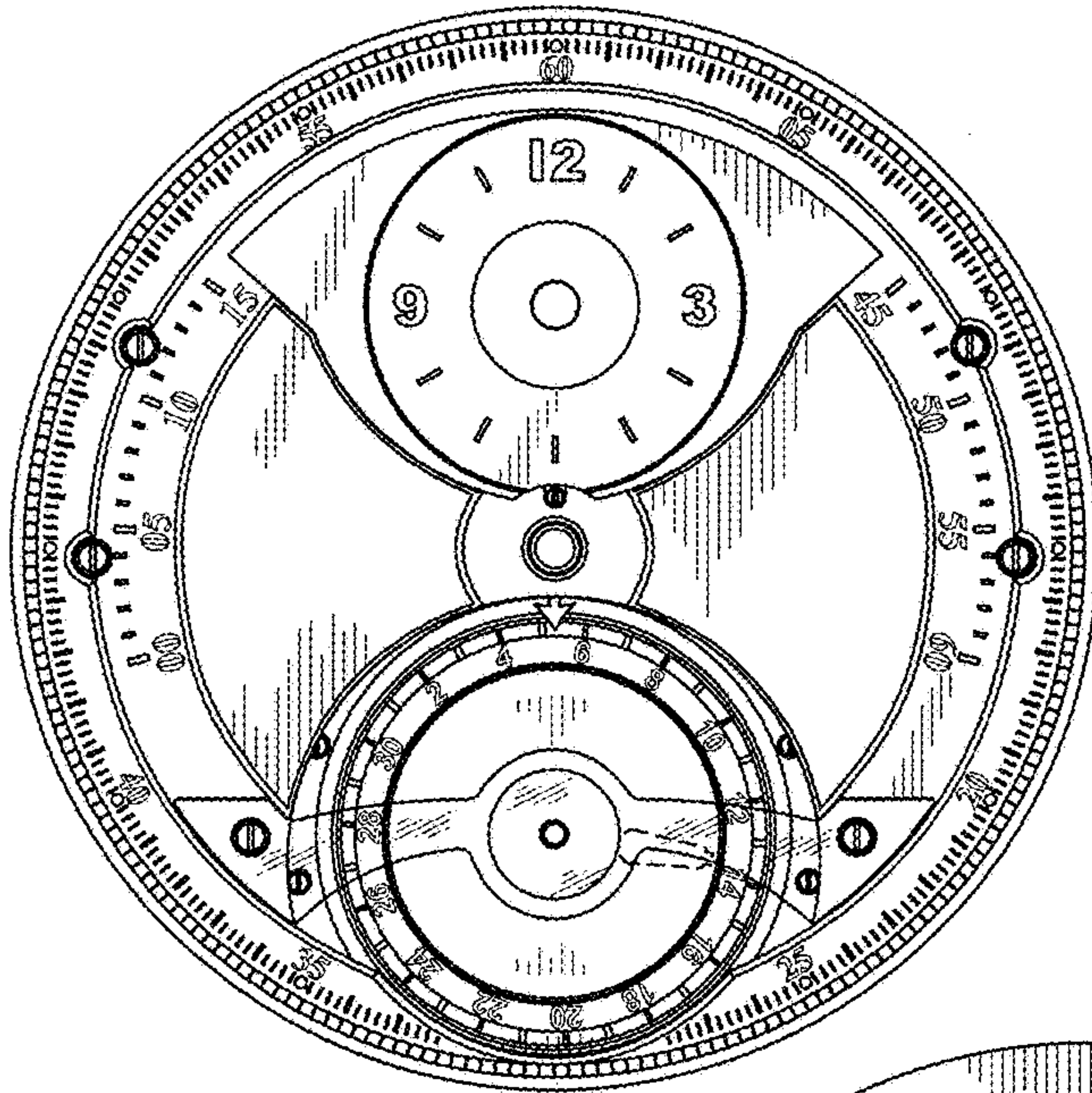


FIG. 2

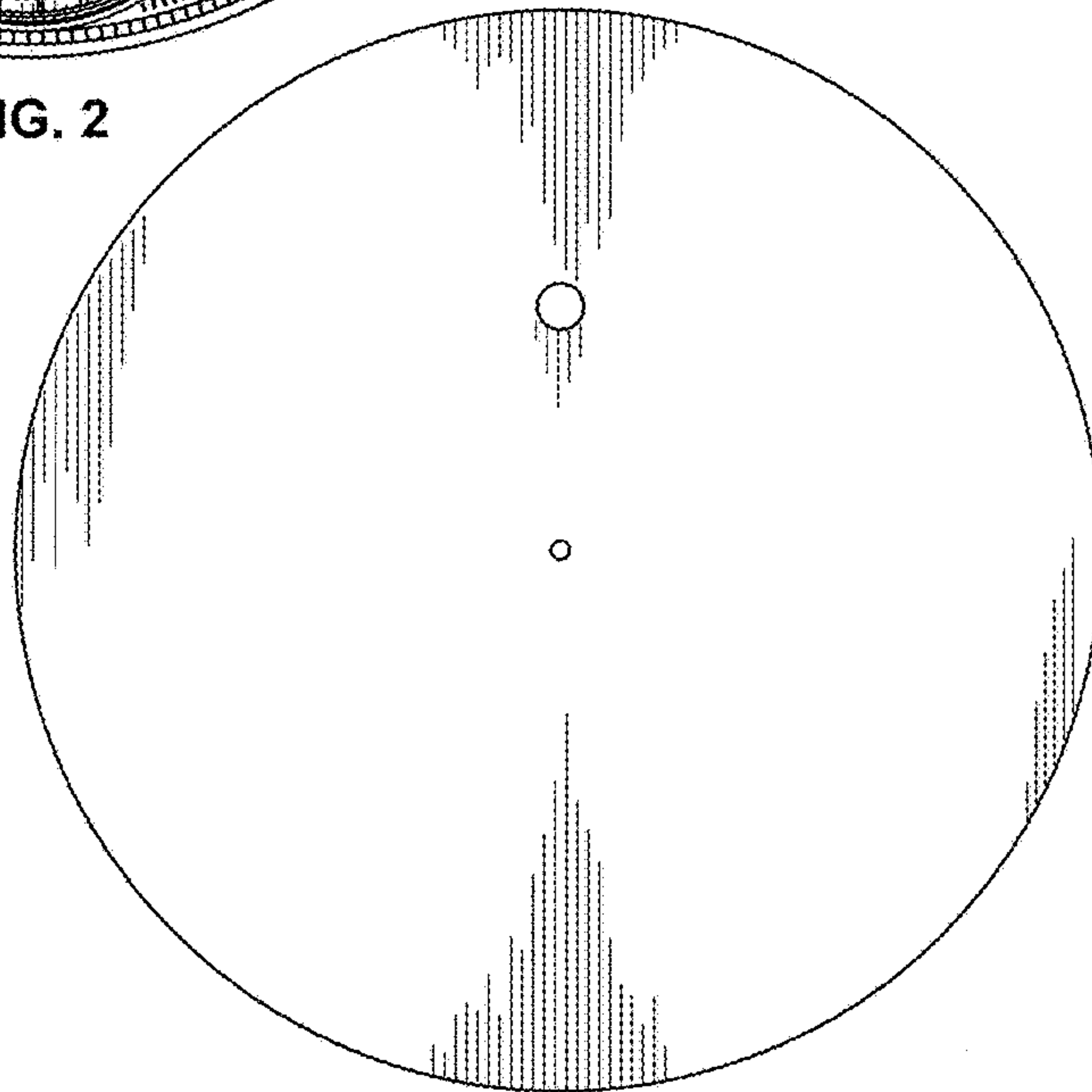


FIG. 3

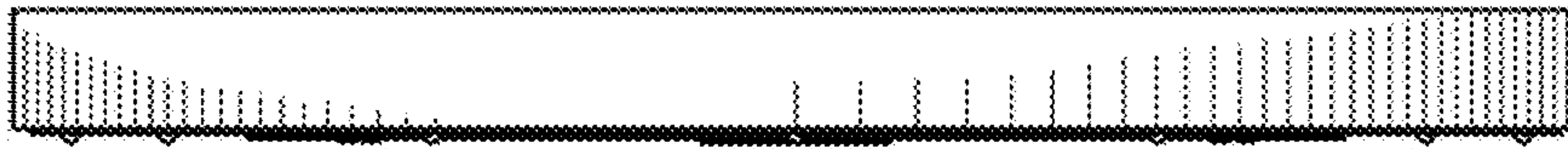


FIG. 4



FIG. 5

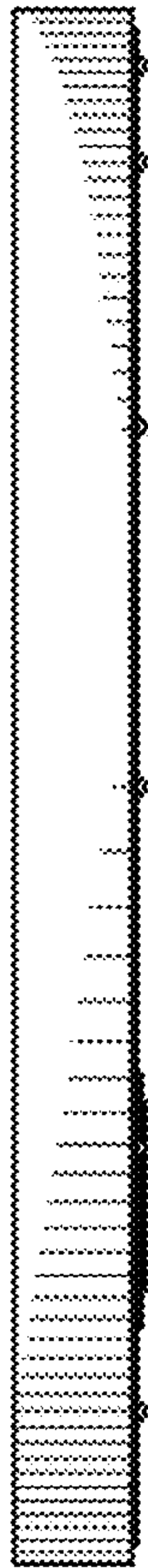


FIG. 6



FIG. 7