



US00D791002S

(12) **United States Design Patent**  
**Rich**

(10) **Patent No.:** **US D791,002 S**  
(45) **Date of Patent:** **\*\* Jul. 4, 2017**

- (54) **TRAFFIC CONE**
- (71) Applicant: **Steven Rich**, Montvale, NJ (US)
- (72) Inventor: **Steven Rich**, Montvale, NJ (US)
- (\*\*) Term: **15 Years**
- (21) Appl. No.: **29/586,622**
- (22) Filed: **Dec. 6, 2016**

5,993,105 A \* 11/1999 Chan ..... E01F 9/629  
116/173  
6,014,941 A 1/2000 Bent et al.  
6,247,424 B1 \* 6/2001 Huang ..... E01F 13/02  
116/63 C  
D462,286 S 9/2002 Perelli  
6,928,952 B2 8/2005 Garcia  
(Continued)

**FOREIGN PATENT DOCUMENTS**

CA 2257766 A1 8/1999  
EP 0141564 A2 5/1985  
(Continued)

**Related U.S. Application Data**

- (62) Division of application No. 29/535,890, filed on Aug. 11, 2015, now Pat. No. Des. 778,194.
- (51) **LOC (10) Cl.** ..... **10-05**
- (52) **U.S. Cl.**  
USPC ..... **D10/113.2**
- (58) **Field of Classification Search**  
USPC ..... D10/113.2  
CPC ..... E01F 9/629; E01F 13/02  
See application file for complete search history.

**OTHER PUBLICATIONS**

Anonymous, "Hollow Orange Cone by SafetySign.com—X5654", website, Jun. 17, 2015, <http://www.safetysign.com/products/p5019/hollow-orange-cone>.

(Continued)

*Primary Examiner* — George D Kirschbaum  
(74) *Attorney, Agent, or Firm* — Werschulz Patent Law, LLC

(56) **References Cited**

**U.S. PATENT DOCUMENTS**

- 2,719,505 A 10/1955 Blumenthal
- 2,817,308 A 12/1957 Scanlon
- 2,957,444 A 10/1960 Boettler
- 3,212,415 A 10/1965 Bryd
- 3,247,823 A 4/1966 Buck et al.
- D207,037 S 2/1967 Dawson
- D212,134 S 8/1968 Dawson
- 3,596,628 A 8/1971 Wright
- 3,809,007 A 5/1974 Brown
- D235,744 S 7/1975 England
- D235,746 S 7/1975 England
- 4,466,376 A 8/1984 Wells
- D295,026 S 4/1988 Lin
- D315,874 S 4/1991 DeCaro
- D317,580 S 6/1991 Thurston
- D411,810 S 7/1999 Stockman

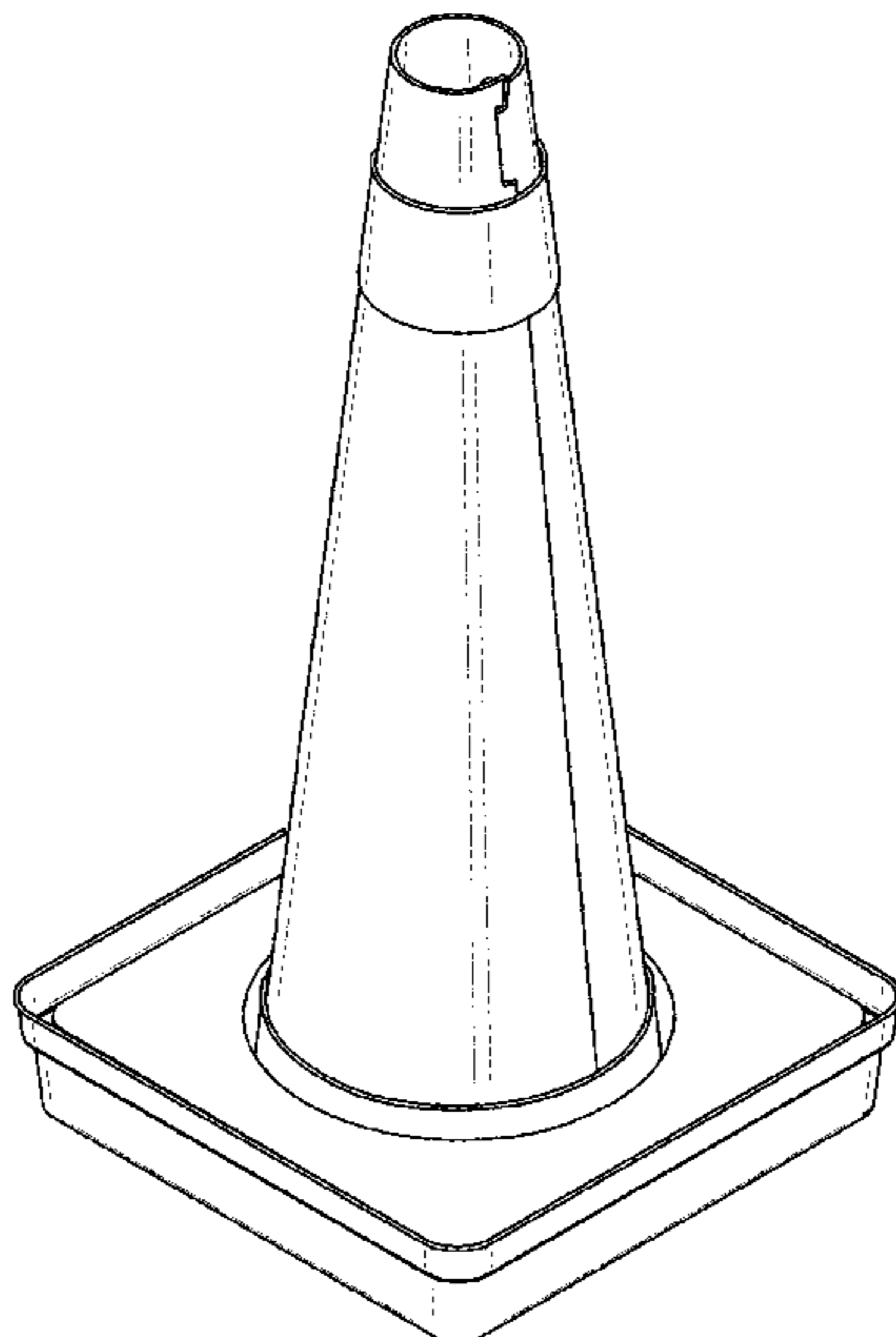
(57) **CLAIM**

The ornamental design for a traffic cone, as shown and described.

**DESCRIPTION**

FIG. 1 is a perspective view of a traffic cone showing my new design;  
FIG. 2 is a top plan view thereof;  
FIG. 3 is a bottom plan view thereof;  
FIG. 4 is a front elevation view thereof;  
FIG. 5 is a rear elevation view thereof;  
FIG. 6 is a right side elevation view thereof;  
FIG. 7 is a left side elevation view thereof; and,  
FIG. 8 is an exploded view thereof.

**1 Claim, 5 Drawing Sheets**



(56)

**References Cited**

U.S. PATENT DOCUMENTS

6,929,419	B1	8/2005	Kuo	
7,007,630	B2	3/2006	Garcia	
7,056,055	B1	6/2006	Kuo	
D579,369	S	10/2008	Spataro	
7,513,212	B2	4/2009	Dvoracek	
D597,432	S	8/2009	Auberger	
9,512,578	B1 *	12/2016	Dvoracek	..... E01F 9/654
2004/0060499	A1	4/2004	Penque	
2007/0113774	A1	5/2007	Kuo	

FOREIGN PATENT DOCUMENTS

GB	1058881	2/1967
GB	2108182	5/1983

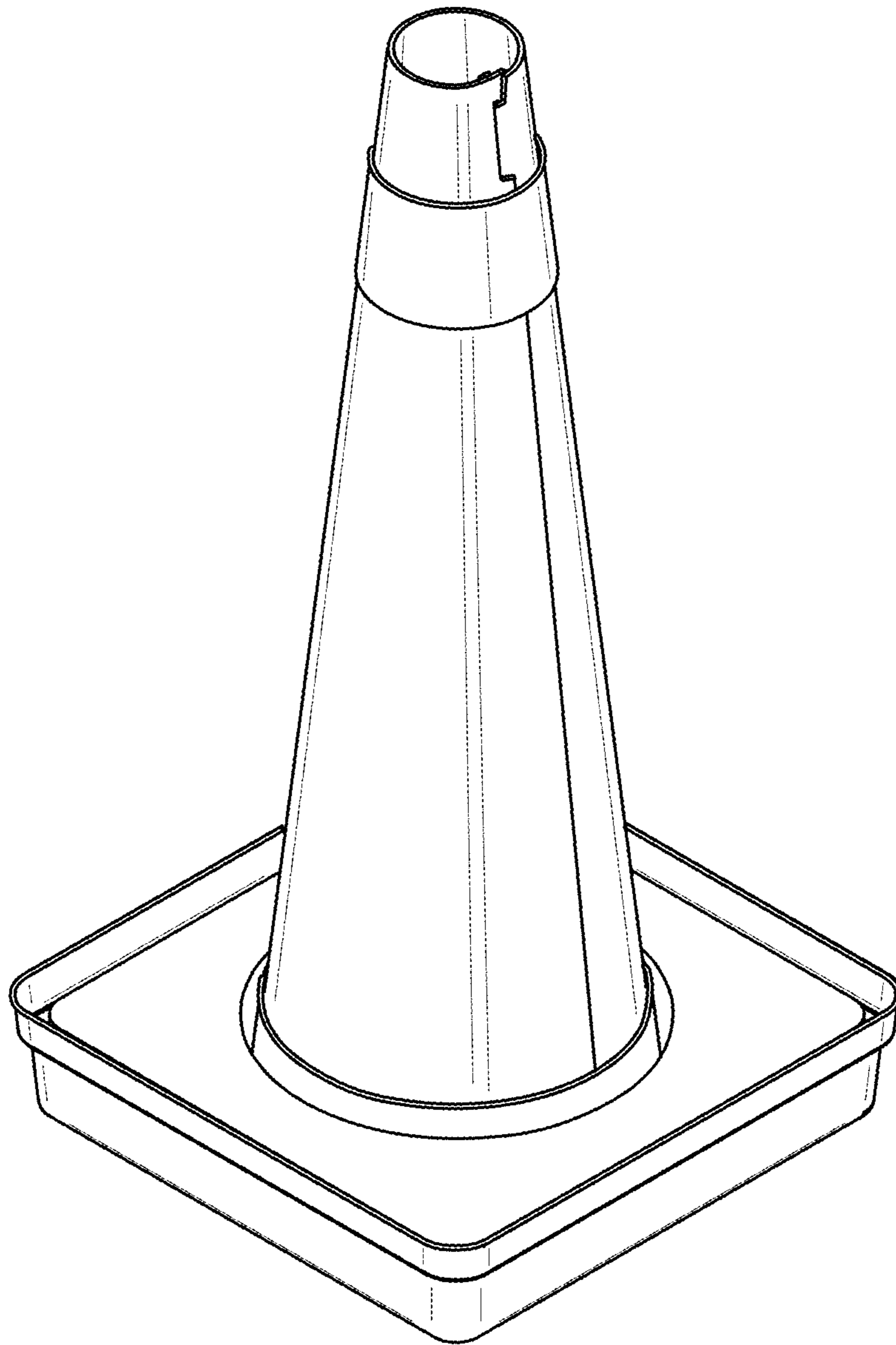
OTHER PUBLICATIONS

Anonymous, "Home of Disposable Traffic Cones, Disposable Safety Cone Products", website, Jun. 29, 2015, <http://www.safetycones.net>.

Anonymous, "Orange, Yellow, Lime Green Reflective PVC Road Cone Traffic Products", website, Jun. 12, 2015, Zhejiang Sanmen Eastsea Rubber Factory, URL: <http://zjeastsea.en.made-in-china.com/product/aXDnvgmbHhS/China-Orange-Yellow-Lime-Green-Reflective-PVC-Road-Cone-Traffic-Products.html>.

Anonymous, Disposable traffic cones safety barricades traffic control for job sites work area or public events. website, Disposacone®, [www.disposacone.com](http://www.disposacone.com), Jun. 29, 2015.

\* cited by examiner



*FIG. 1*

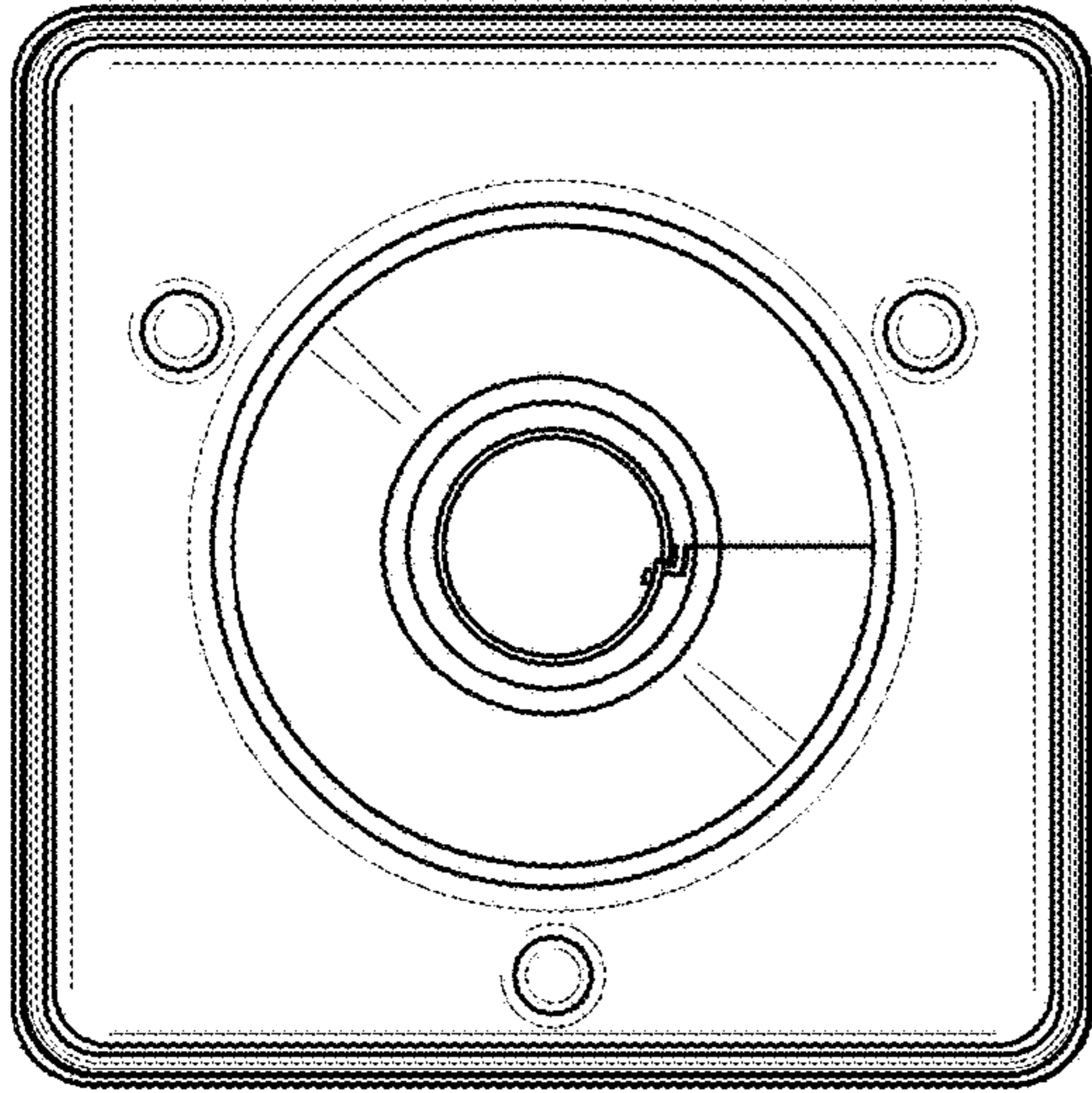


FIG. 2

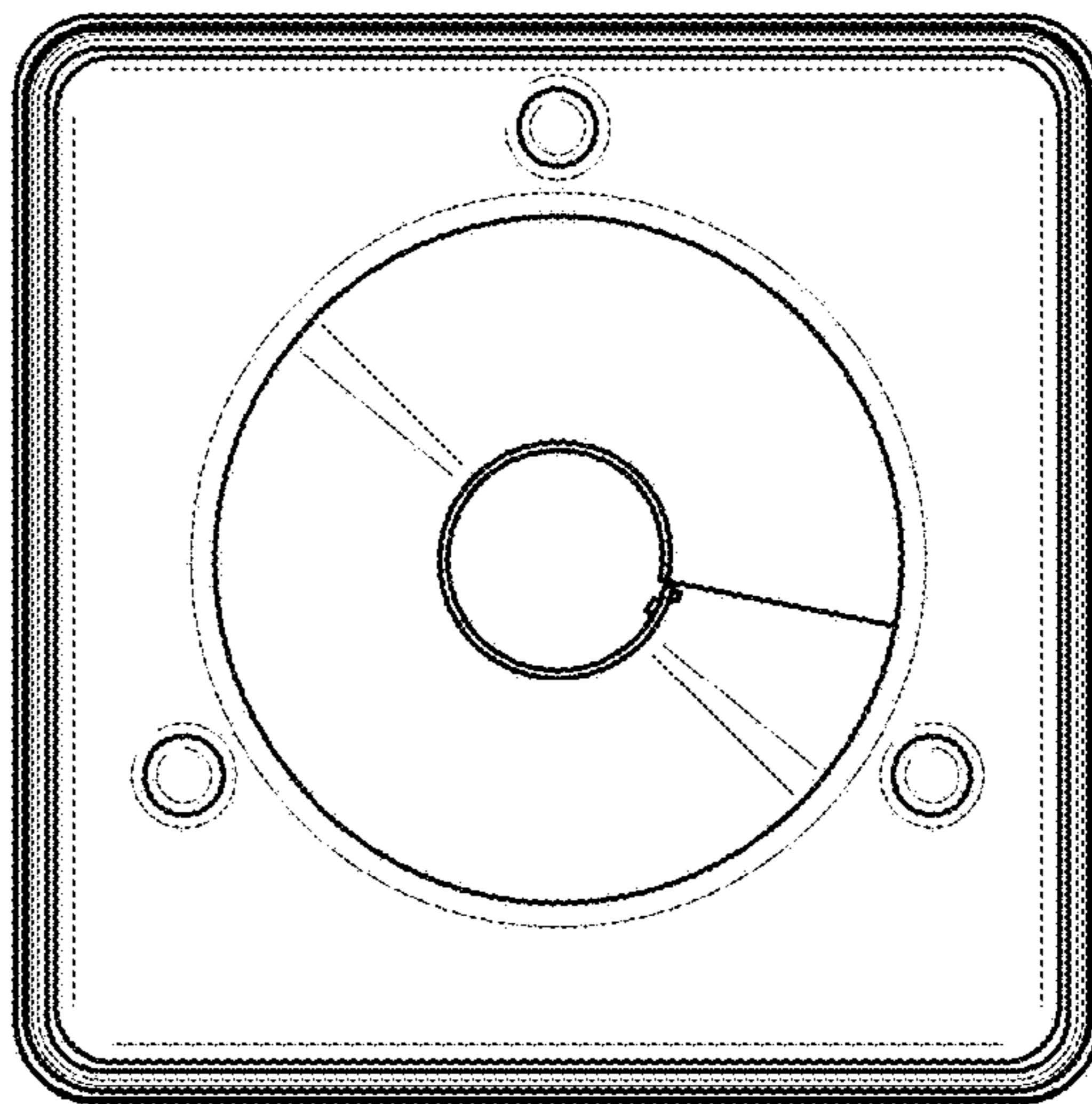


FIG. 3

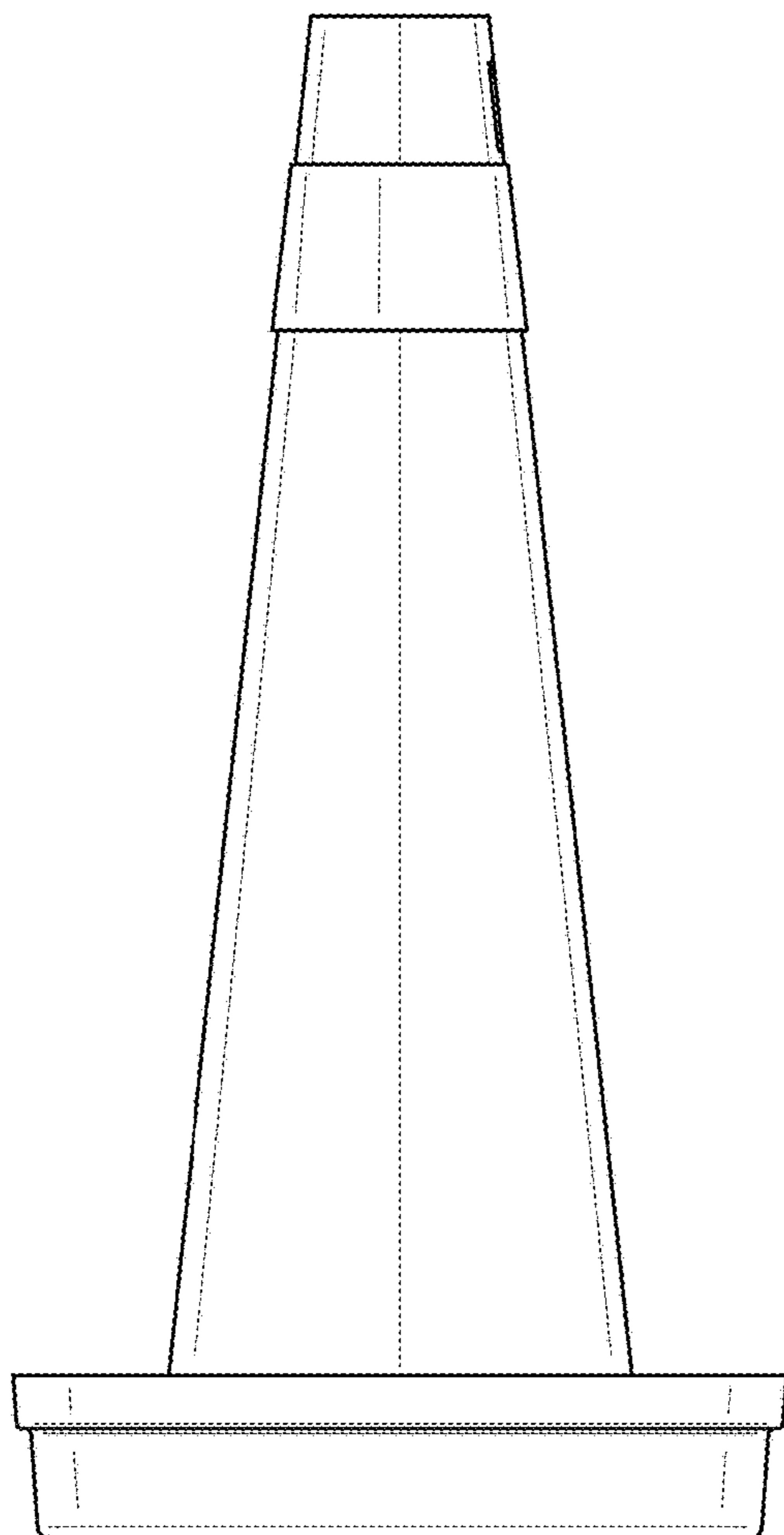


FIG. 4

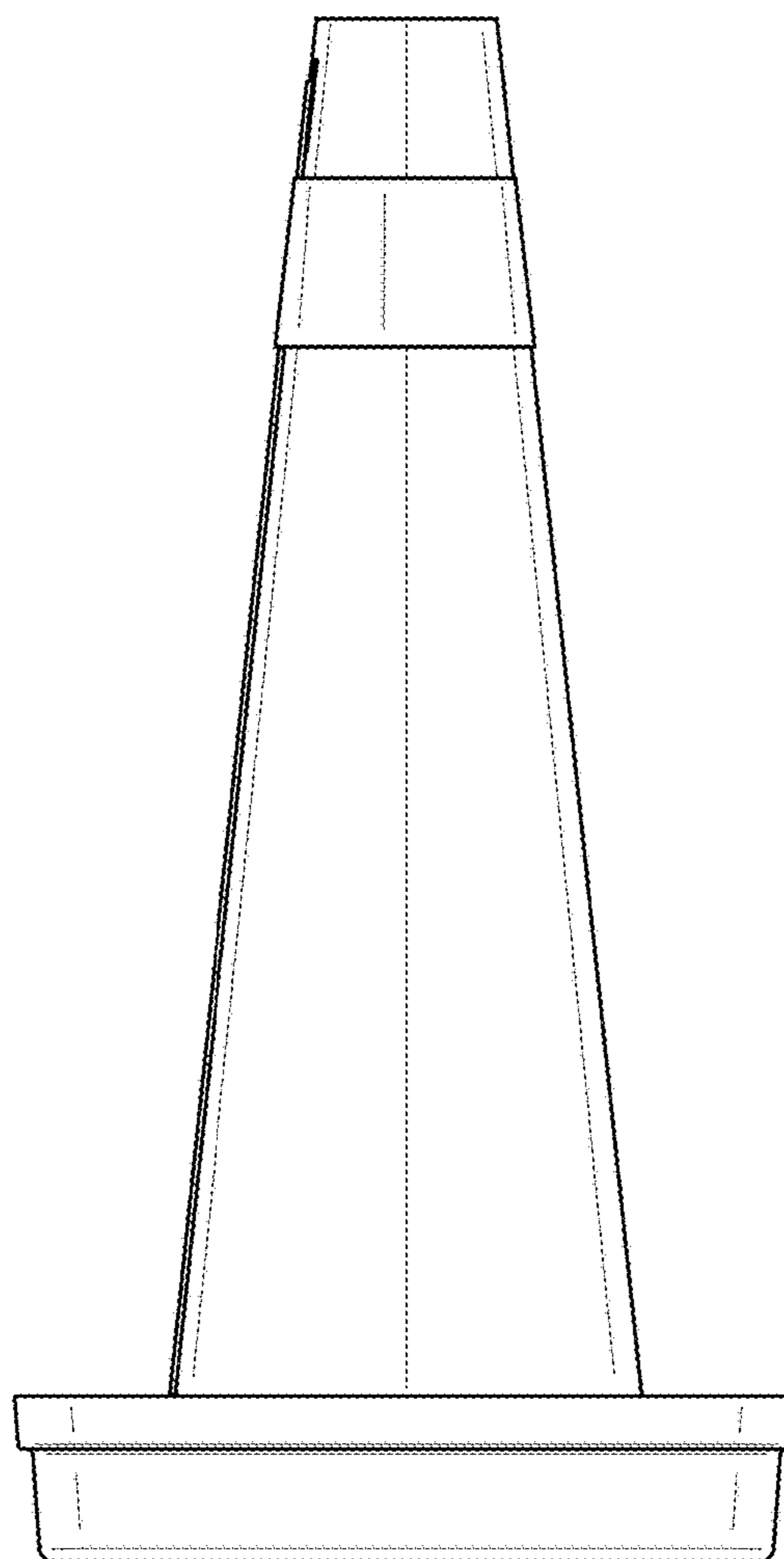


FIG. 5



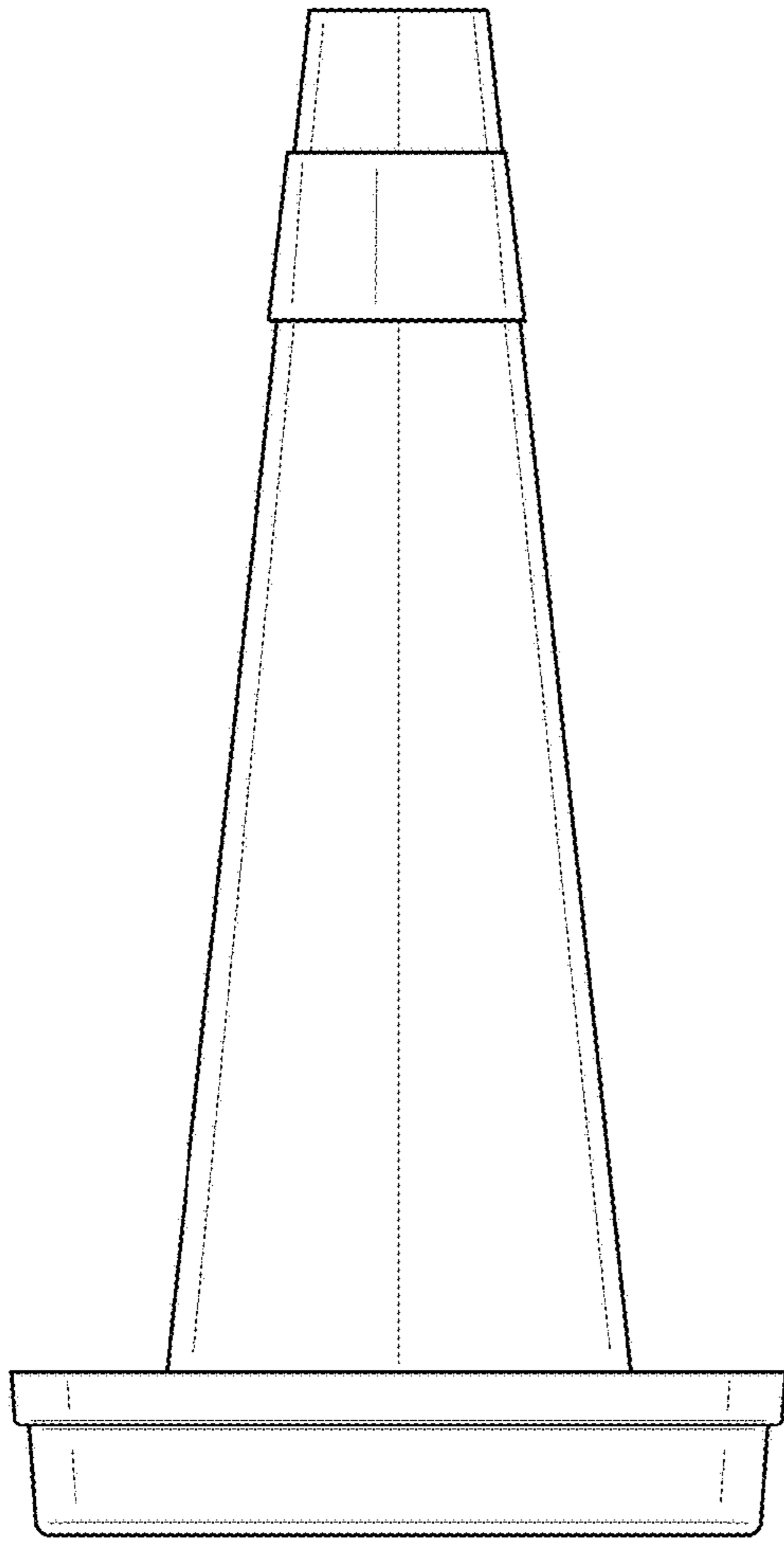


FIG. 6

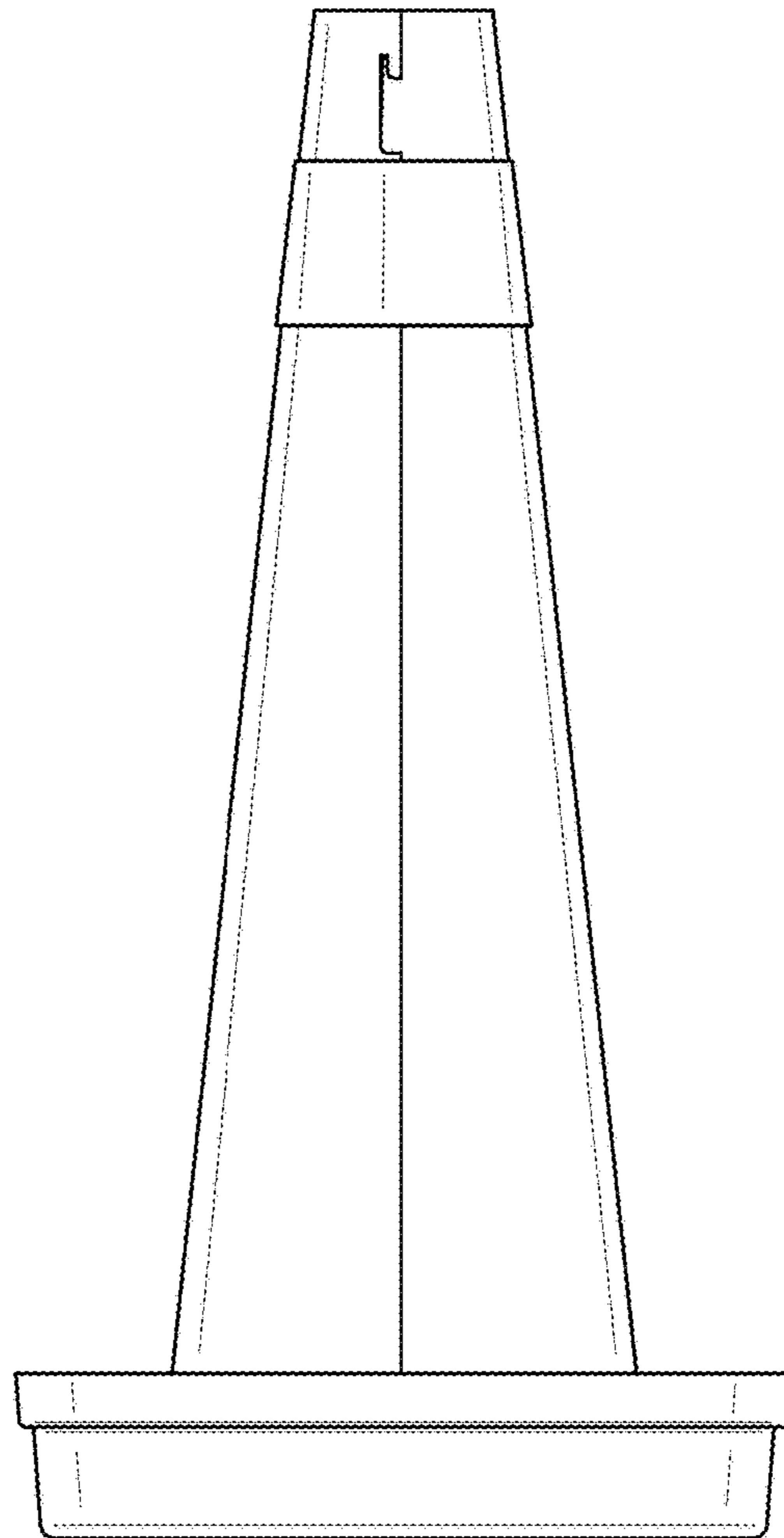


FIG. 7

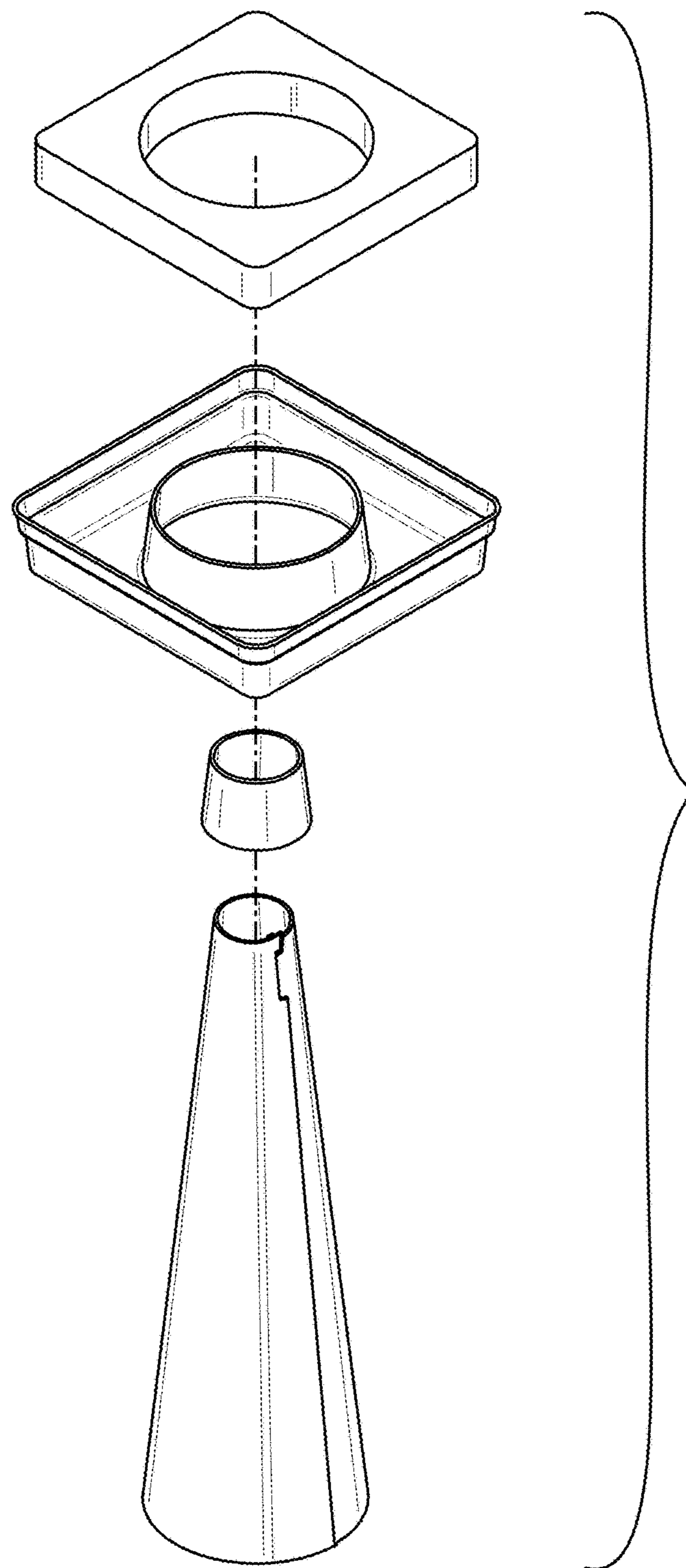


FIG. 8