



US00D791000S

(12) **United States Design Patent** (10) **Patent No.:** **US D791,000 S**  
**Quirin** (45) **Date of Patent:** **\*\* \*Jul. 4, 2017**

(54) **TRAFFIC CONE WITH TELESCOPING FLAG**

D315,874 S	4/1991	DeCaro	
5,485,700 A	1/1996	Van Vranken	
5,722,788 A	3/1998	Bent	
5,993,105 A	11/1999	Chan	
6,199,504 B1	3/2001	Freeman	
D620,822 S *	8/2010	Schmitz	..... D10/109.1
8,544,407 B2	10/2013	Spray	
8,777,512 B2 *	7/2014	Henderson	..... E01F 13/02 116/63 C

(71) Applicant: **Tom Quirin**, Bonita Springs, FL (US)

(72) Inventor: **Tom Quirin**, Bonita Springs, FL (US)

(\* ) Notice: This patent is subject to a terminal disclaimer.

(\*\*) Term: **15 Years**

(21) Appl. No.: **29/533,069**

(22) Filed: **Jul. 14, 2015**

(51) **LOC (10) Cl.** ..... **10-05**

(52) **U.S. Cl.**  
USPC ..... **D10/113.2; D10/109.2**

(58) **Field of Classification Search**  
USPC ..... D10/109.1, 109.2, 113.2  
CPC ..... E01F 13/02  
See application file for complete search history.

(56) **References Cited**

U.S. PATENT DOCUMENTS

3,664,618 A	5/1972	Krueger
4,925,334 A	5/1990	Beard

\* cited by examiner

*Primary Examiner* — George D Kirschbaum

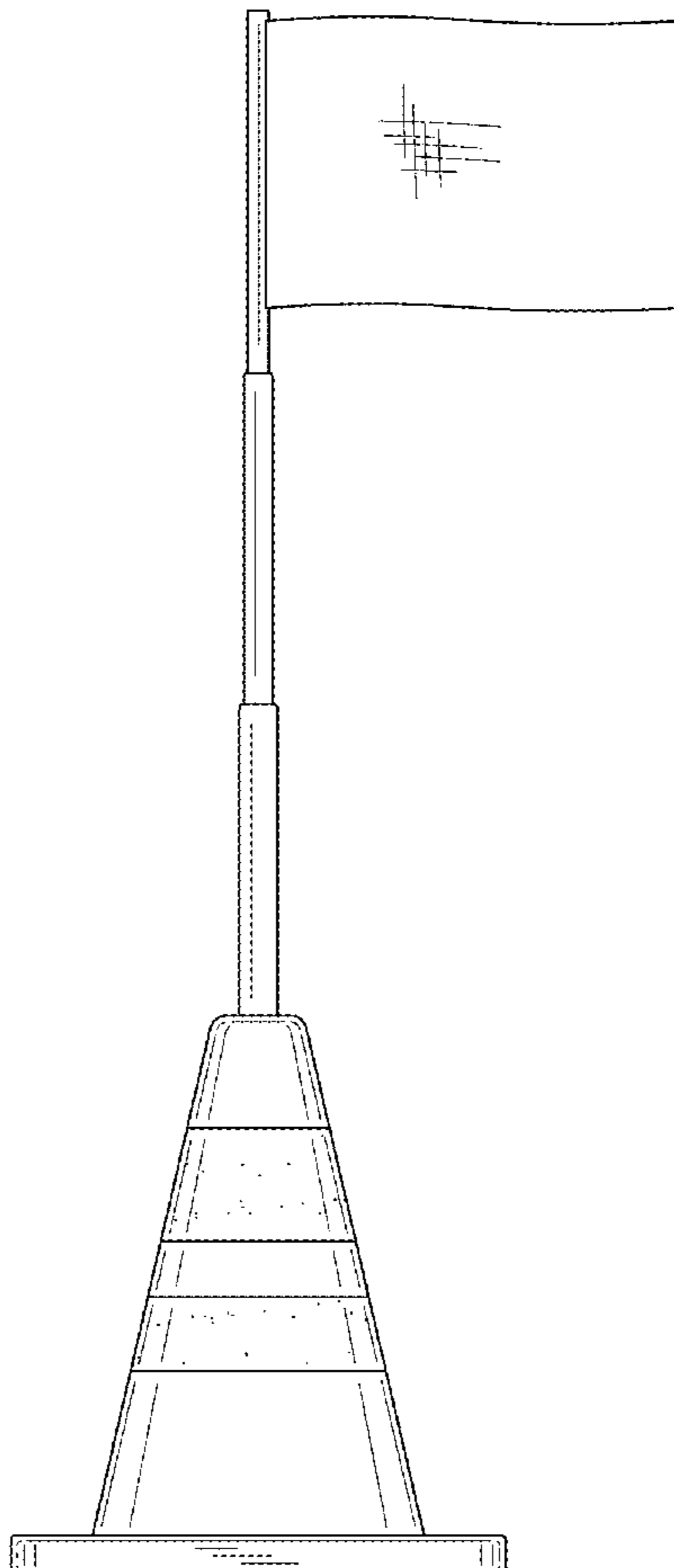
(57) **CLAIM**

I claim the ornamental design for a traffic cone with telescoping flag, as shown and described.

**DESCRIPTION**

FIG. 1 is a front view of the traffic cone with telescoping flag.  
 FIG. 2 is a left side view of the claimed design.  
 FIG. 3 is a right side view of the claimed design.  
 FIG. 4 is a top view of the claimed design.  
 FIG. 5 is a bottom view of the claimed design; and,  
 FIG. 6 is a perspective view of the claimed design.

**1 Claim, 5 Drawing Sheets**



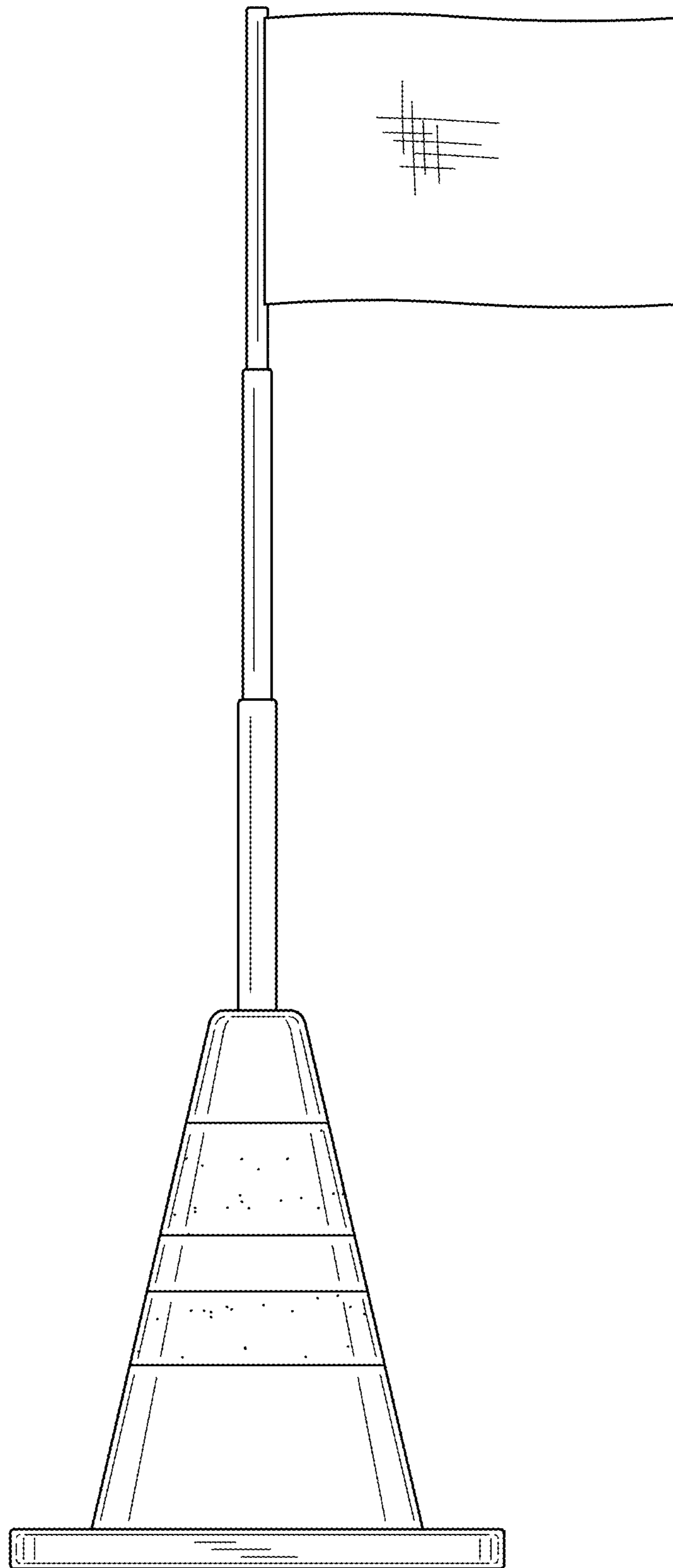


FIG. 1

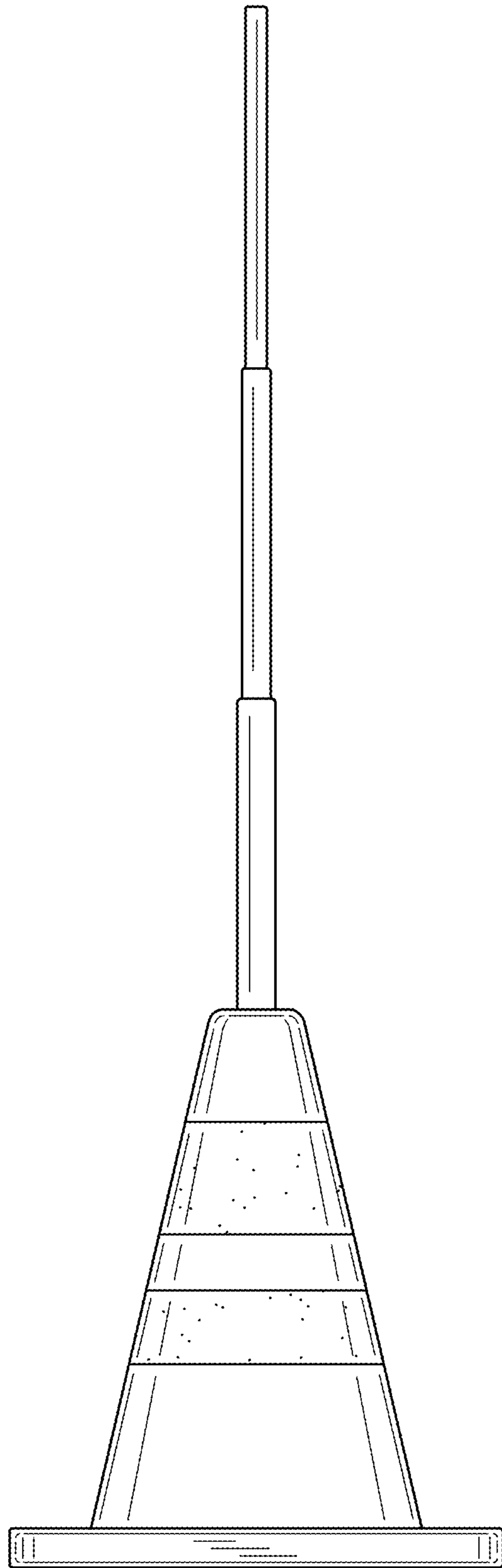


FIG. 2

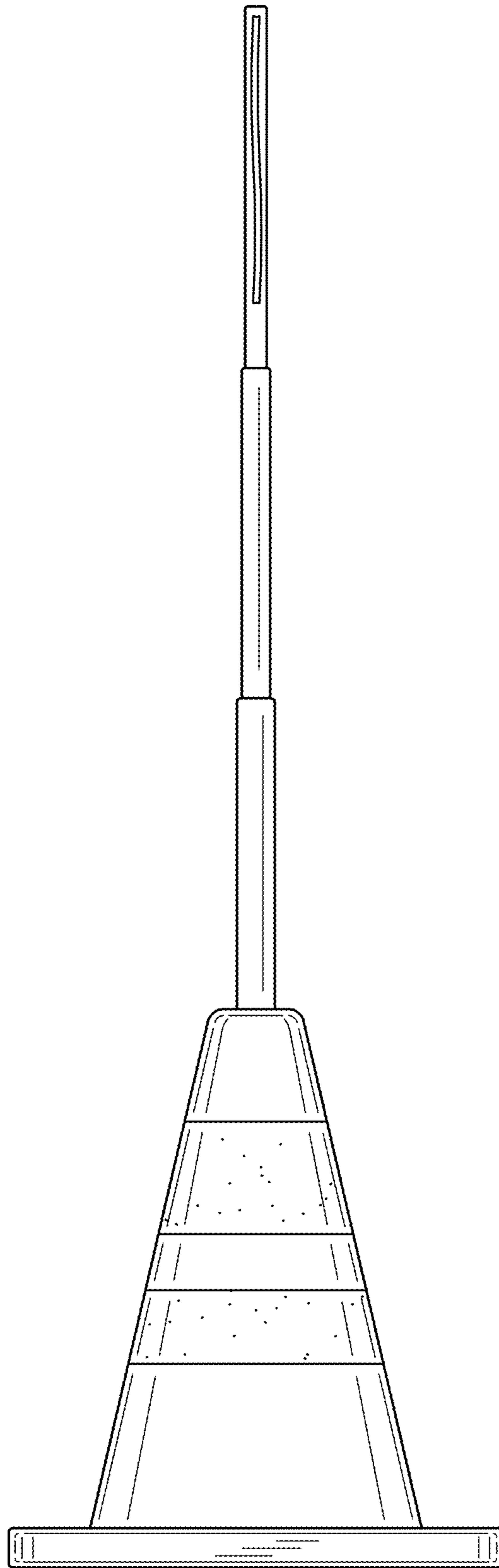


FIG. 3

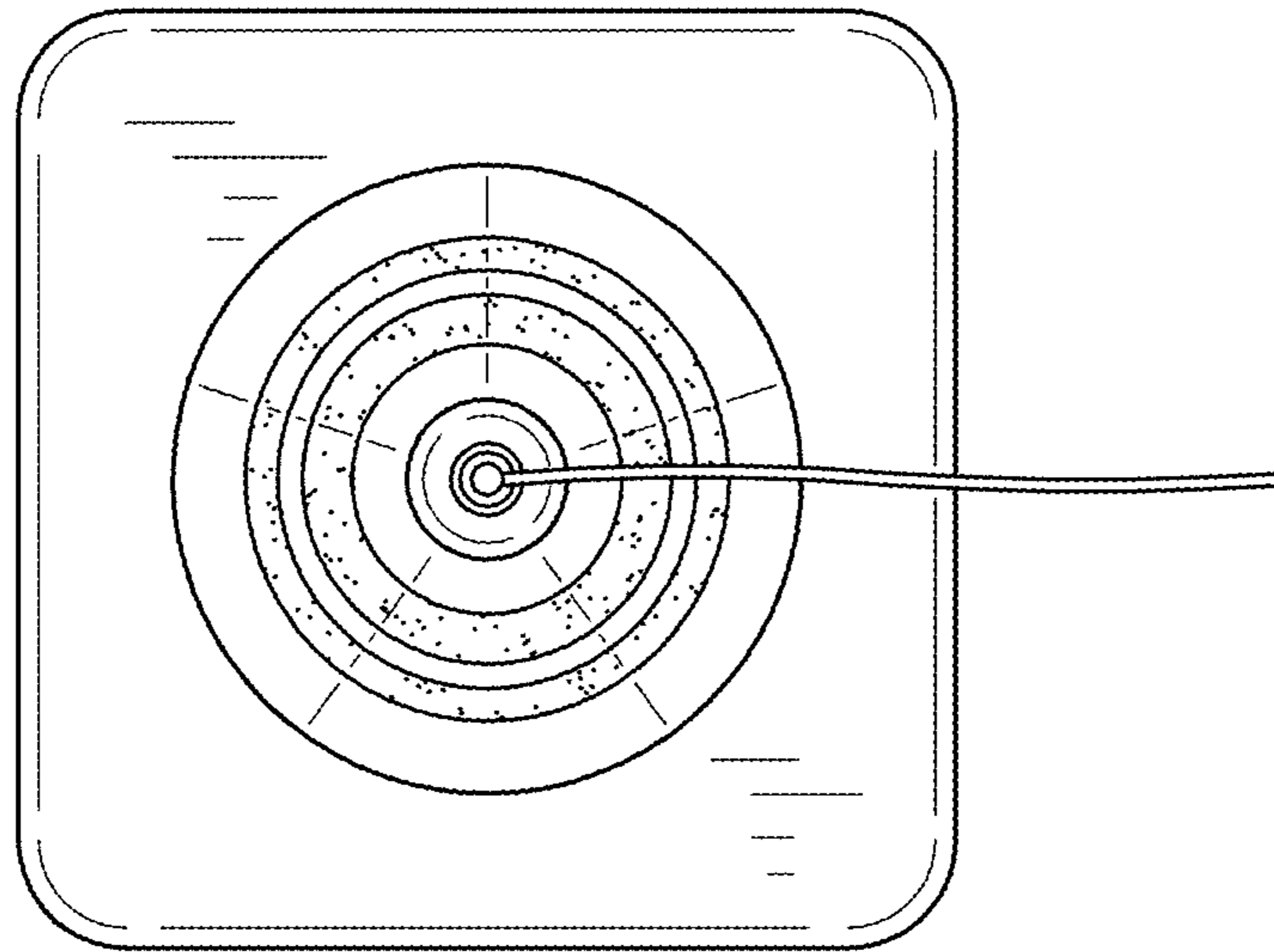


FIG. 4

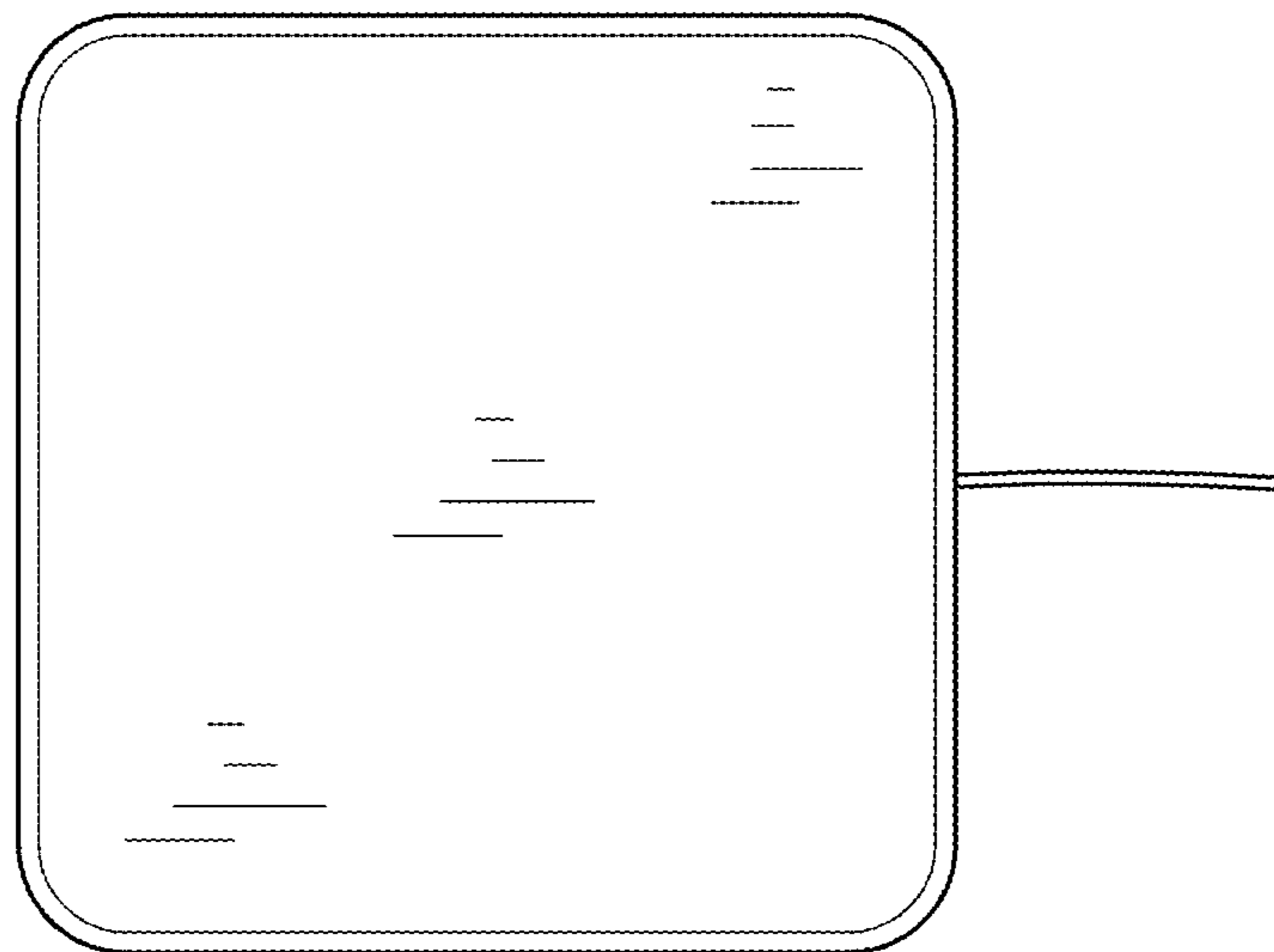


FIG. 5

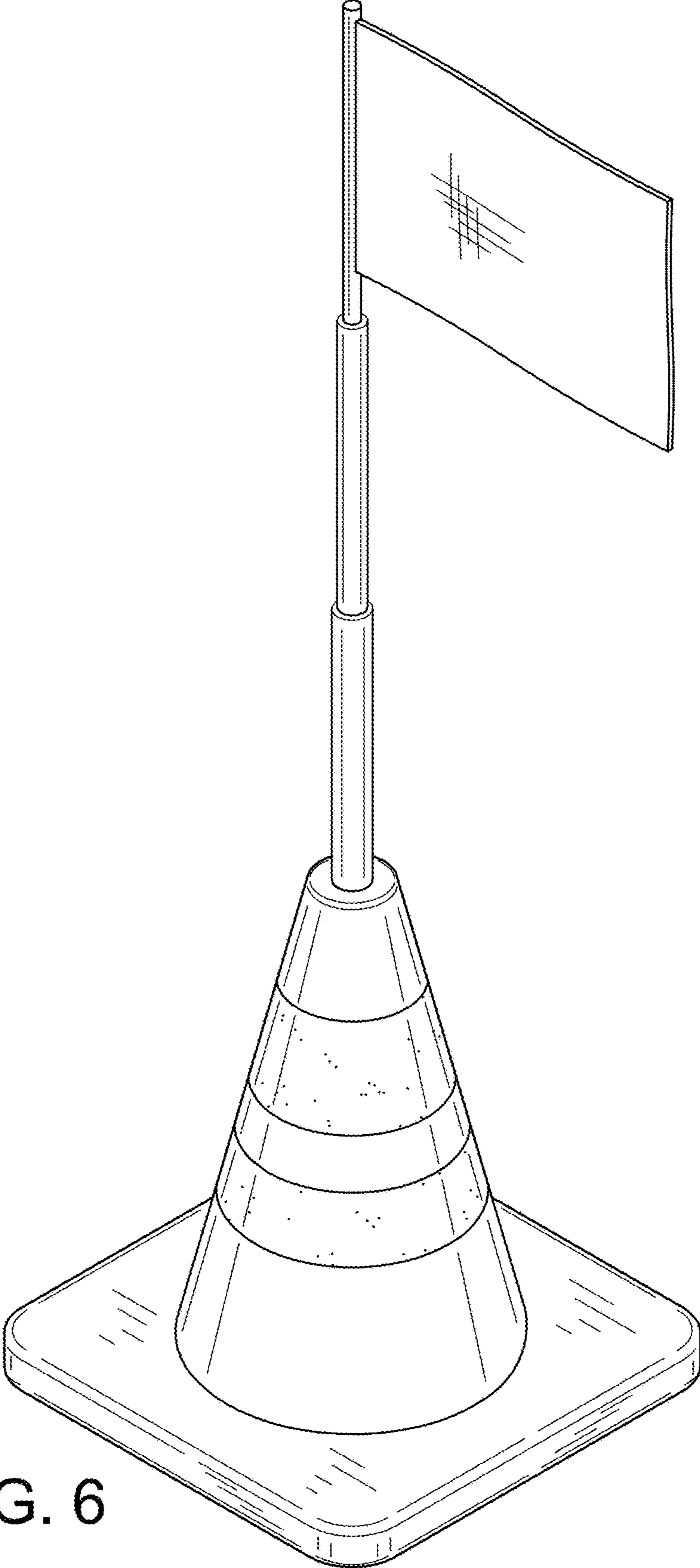


FIG. 6