



US00D790998S

(12) **United States Design Patent**  
**Kuppi et al.**

(10) **Patent No.:** **US D790,998 S**  
(45) **Date of Patent:** **\*\* Jul. 4, 2017**

(54) **GAS METER**

*Primary Examiner* — Antoine D Davis

(71) Applicant: **SICK Engineering GmbH**,  
Ottendorf-Okrilla (DE)

(74) *Attorney, Agent, or Firm* — Nath, Goldberg &  
Meyer; Jerald L. Meyer

(72) Inventors: **Heiko Kuppi**, Ottendorf-Okrilla (DE);  
**Gerry Schröter**, Ottendorf-Okrilla  
(DE); **Robert Jehn**, Ottendorf-Okrilla  
(DE); **Jens Moh**, Ottendorf-Okrilla  
(DE); **Michael Schmidt**,  
Ottendorf-Okrilla (DE)

(57) **CLAIM**

The ornamental design for gas meter, as shown and  
described.

(73) Assignee: **SICK ENGINEERING GMBH**,  
Ottendorf-Okrilla (DE)

**DESCRIPTION**

(\*\*) Term: **15 Years**

FIG. 1 is a perspective view for gas meter;  
FIG. 2 is a front view of the design for gas meter as seen in  
FIG. 1;  
FIG. 3 is a top view of the design for gas meter as seen in  
FIG. 1;  
FIG. 4 is a back view of the design for gas meter as seen in  
FIG. 1;  
FIG. 5 is a bottom view of the design for gas meter as seen  
in FIG. 1;  
FIG. 6 is a perspective view for gas meter;  
FIG. 7 is a front view of the design for gas meter as seen in  
FIG. 6;  
FIG. 8 is a top view of the design for gas meter as seen in  
FIG. 6;  
FIG. 9 is a back view of the design for gas meter as seen in  
FIG. 6;  
FIG. 10 is a bottom view of the design for gas meter as seen  
in FIG. 6;  
FIG. 11 is a perspective view for gas meter;  
FIG. 12 is a front view of the design for gas meter as seen  
in FIG. 11;  
FIG. 13 is a top view of the design for gas meter as seen in  
FIG. 11;  
FIG. 14 is a back view of the design for gas meter as seen  
in FIG. 11; and,  
FIG. 15 is a bottom view of the design for gas meter as seen  
in FIG. 11.

(21) Appl. No.: **29/563,501**

(22) Filed: **May 5, 2016**

(30) **Foreign Application Priority Data**

Nov. 6, 2015 (EM) ..... 002849455

(51) **LOC (10) Cl.** ..... **10-04**

(52) **U.S. Cl.**  
USPC ..... **D10/97**

(58) **Field of Classification Search**

USPC ..... D10/96, 97, 99, 100, 101  
CPC ..... G01F 1/40; G01F 1/42; G01F 1/44; G01F  
1/662; G01F 15/04; G01F 15/043; G01F  
15/046; G01F 15/06; G01F 15/061; G01F  
15/14

See application file for complete search history.

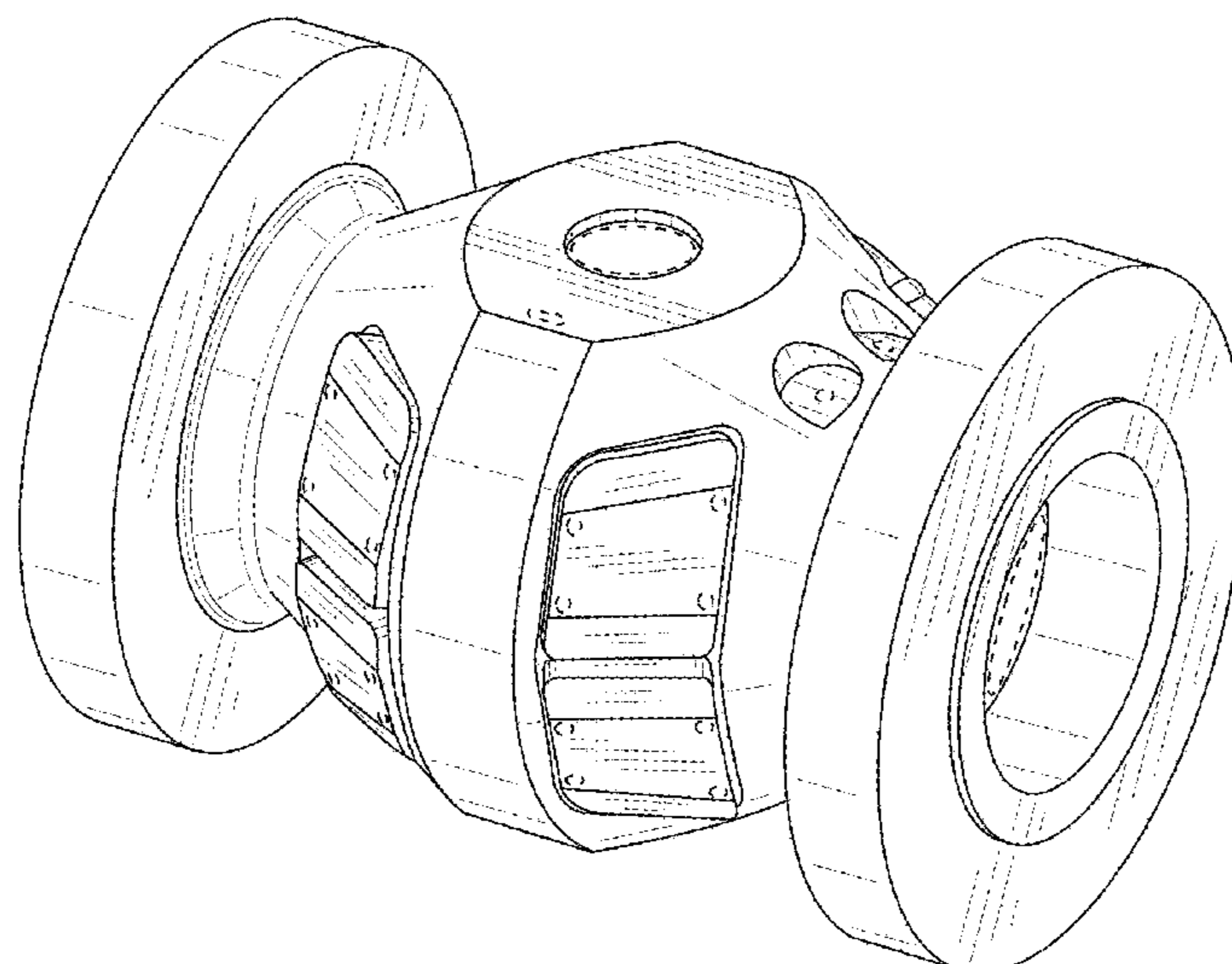
(56) **References Cited**

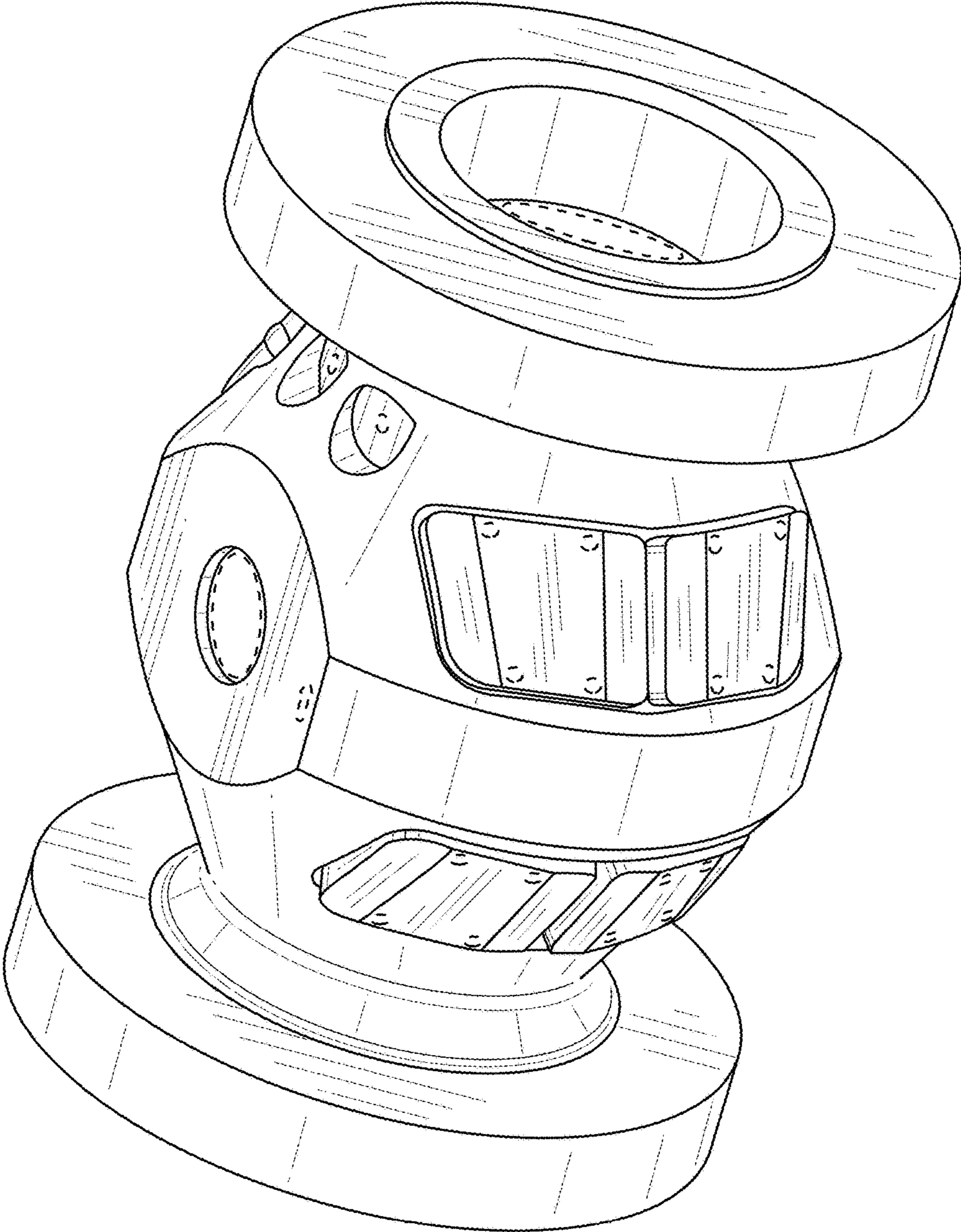
**U.S. PATENT DOCUMENTS**

D705,102 S \* 5/2014 McDonald ..... D10/96  
D752,463 S \* 3/2016 Mashak ..... D10/96  
D772,743 S \* 11/2016 Mashak ..... D10/96

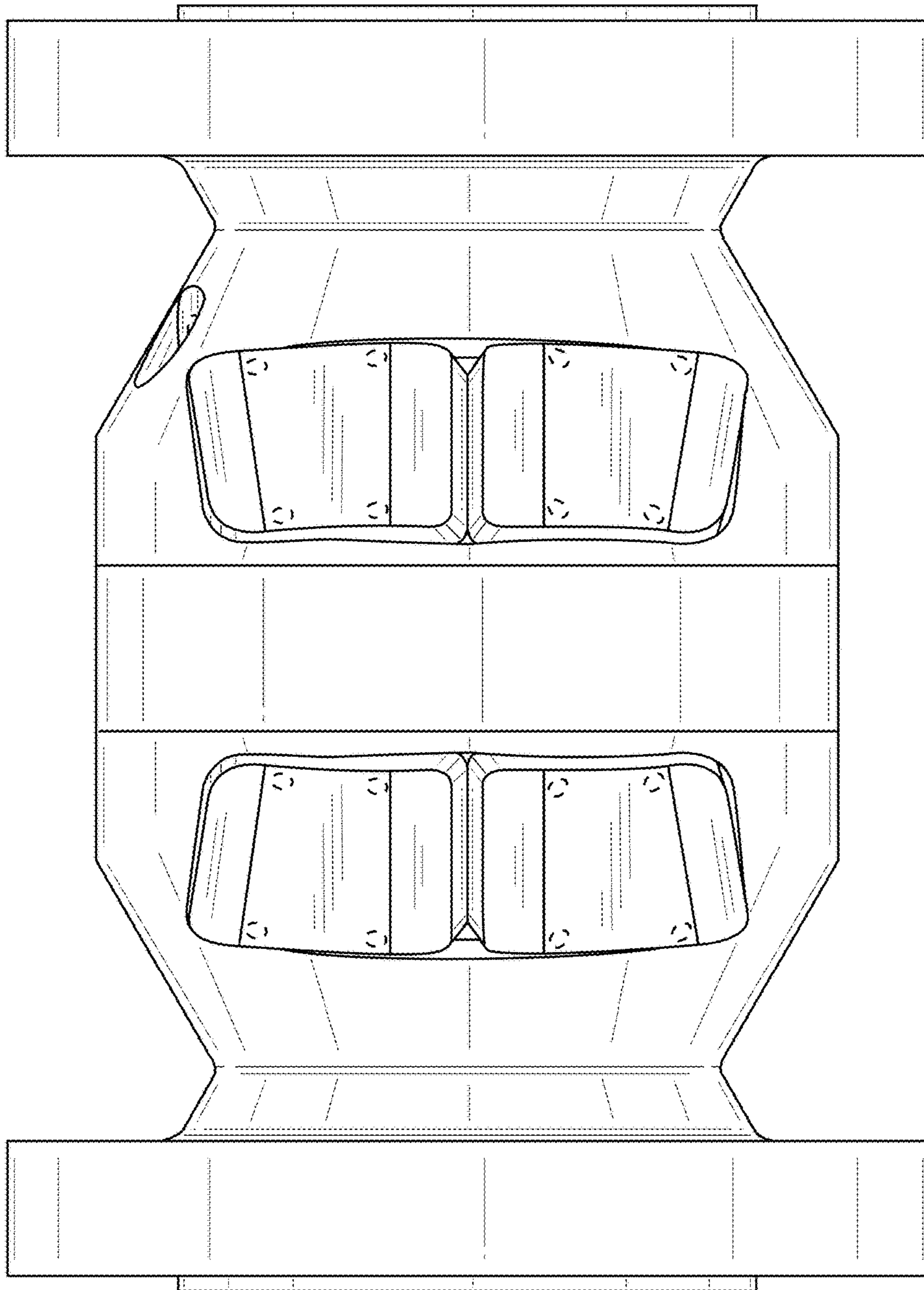
\* cited by examiner

**1 Claim, 15 Drawing Sheets**

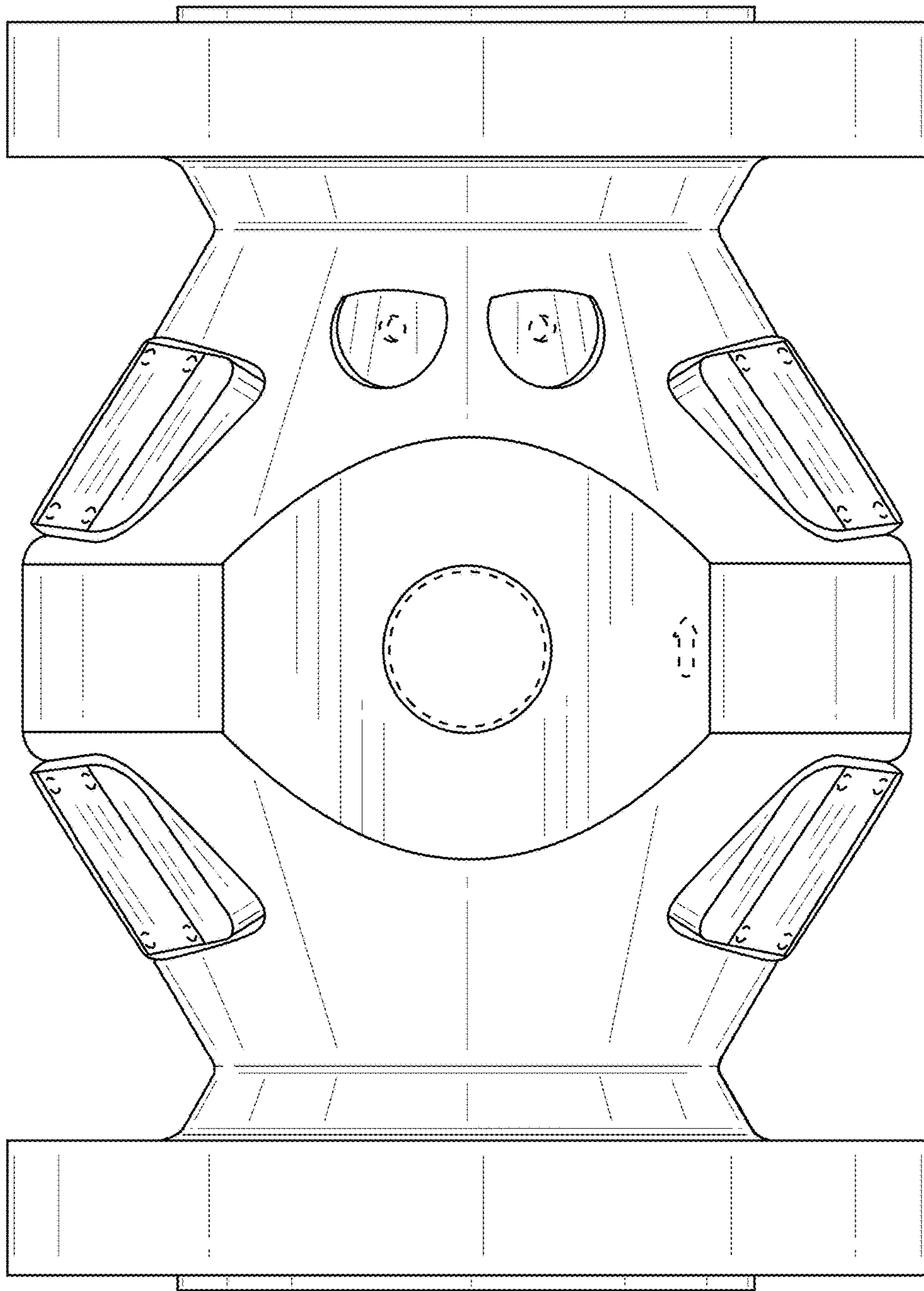




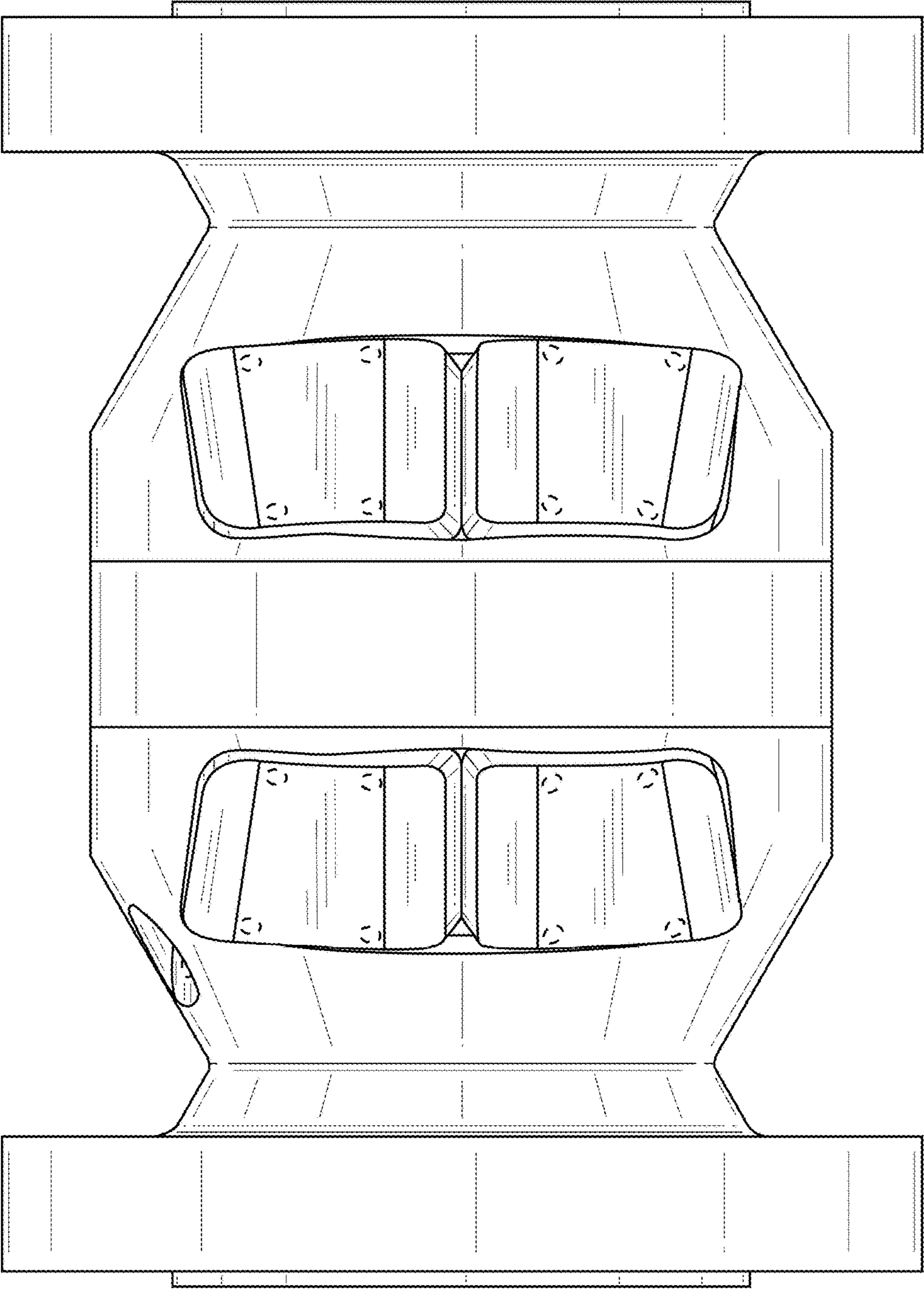
**FIG. 1**



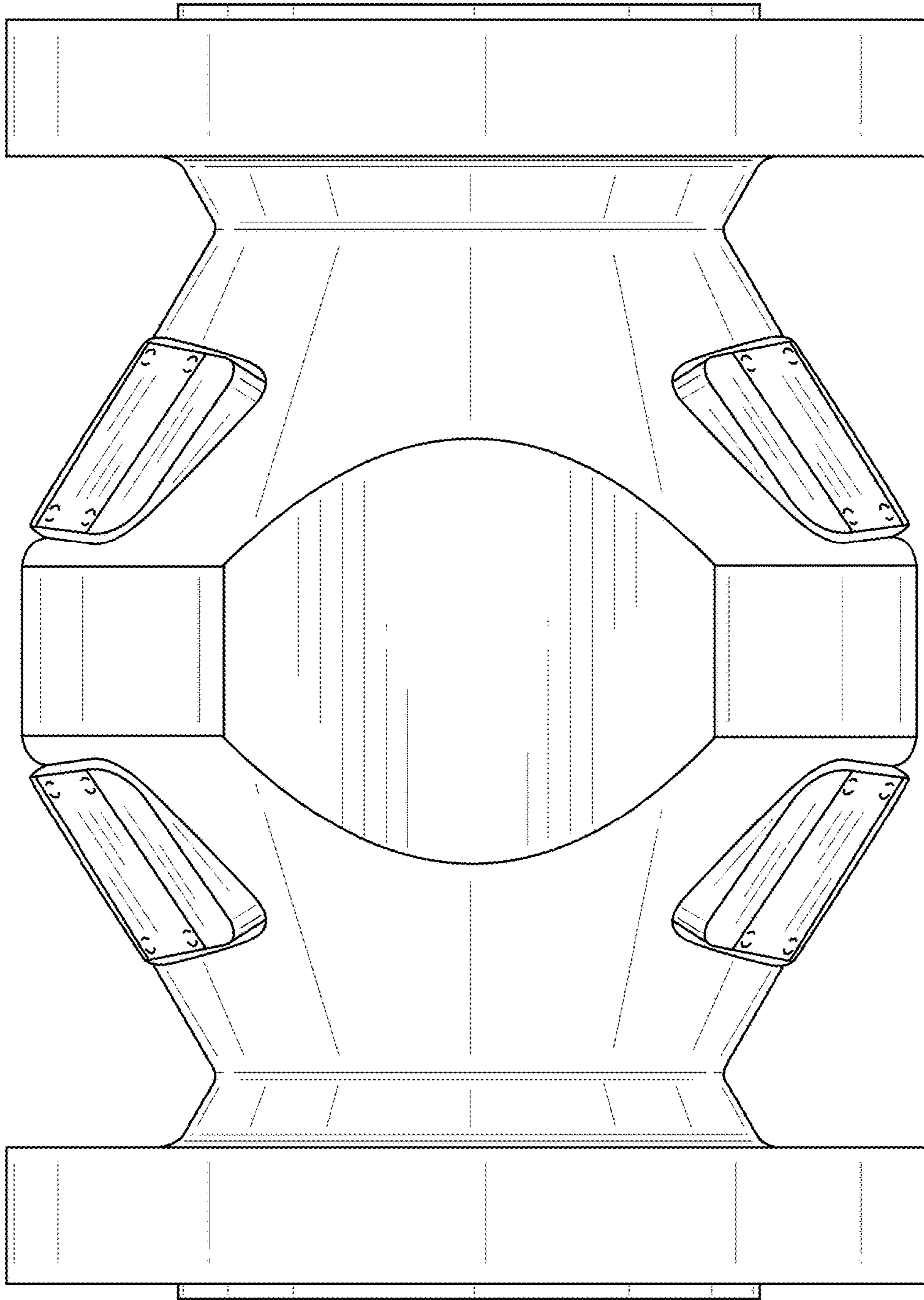
**FIG. 2**



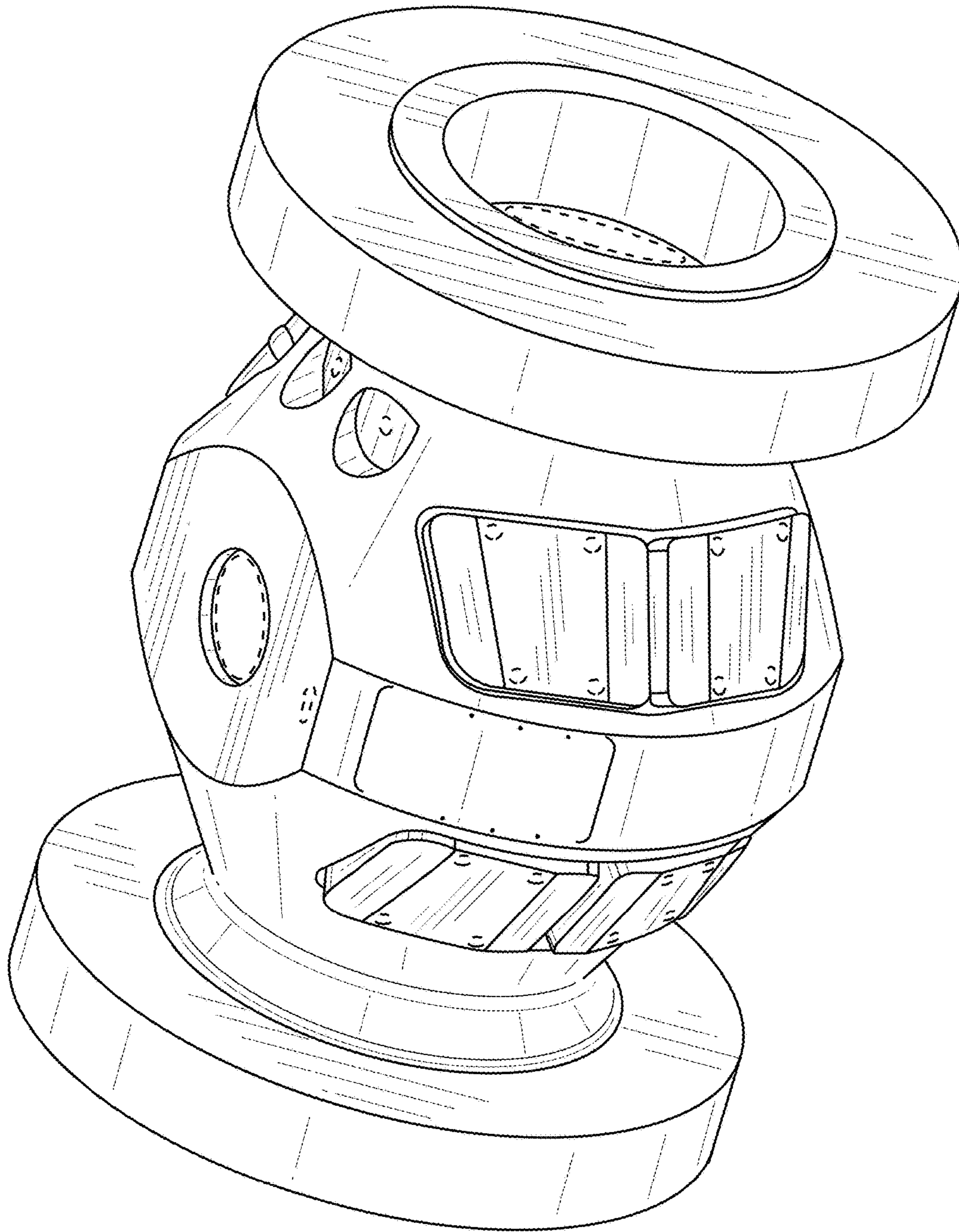
**FIG. 3**



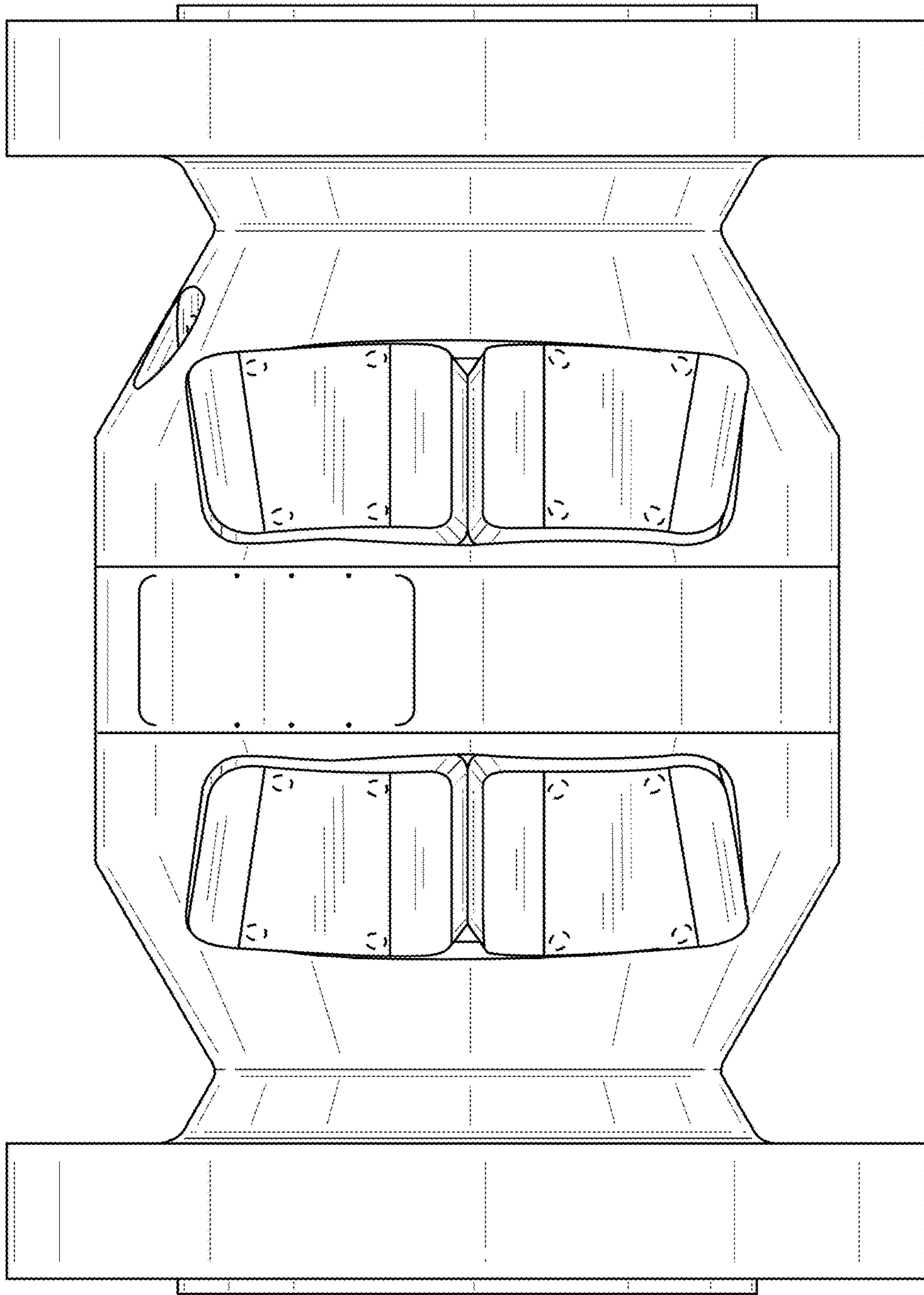
**FIG. 4**



**FIG. 5**

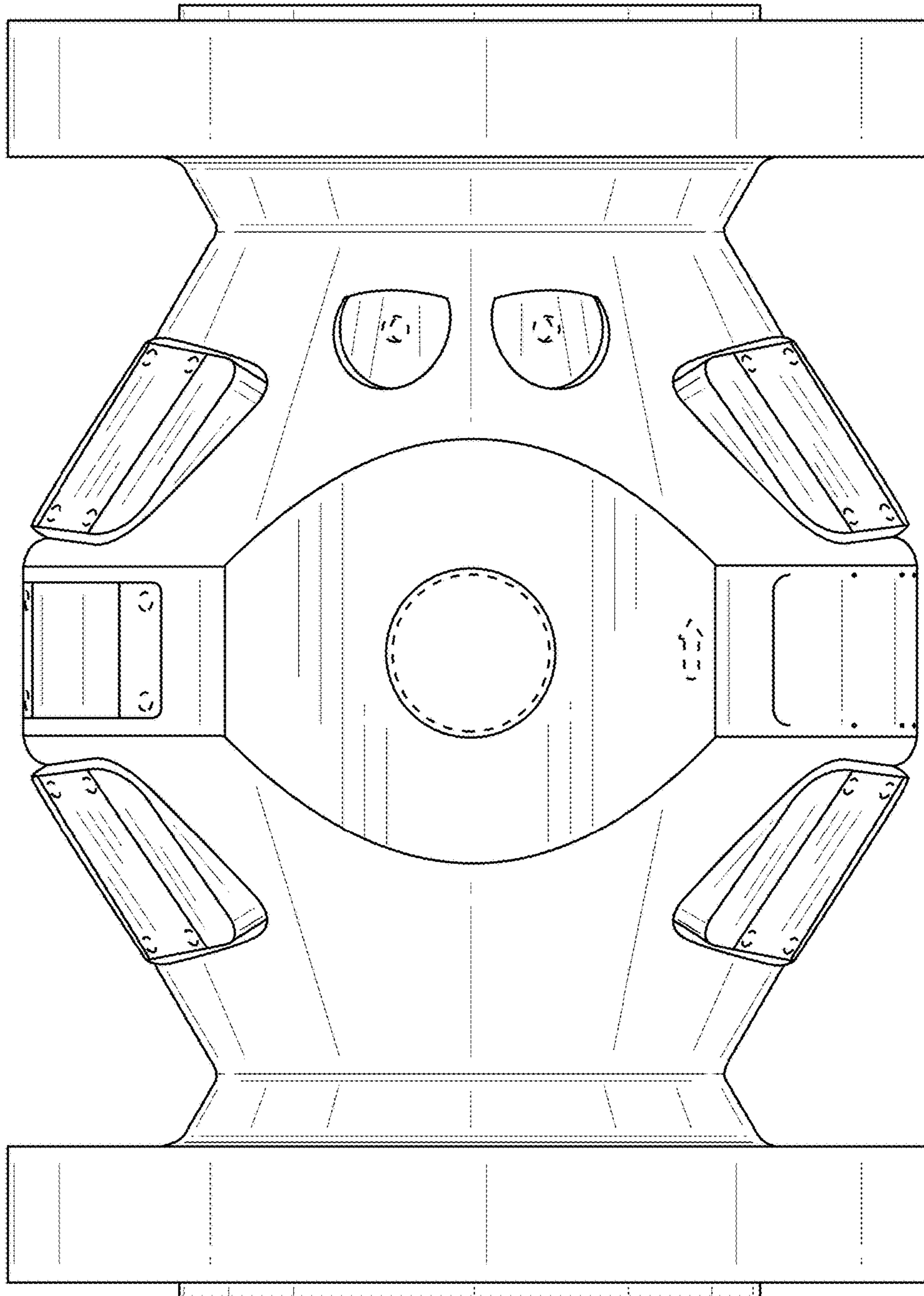


**FIG. 6**

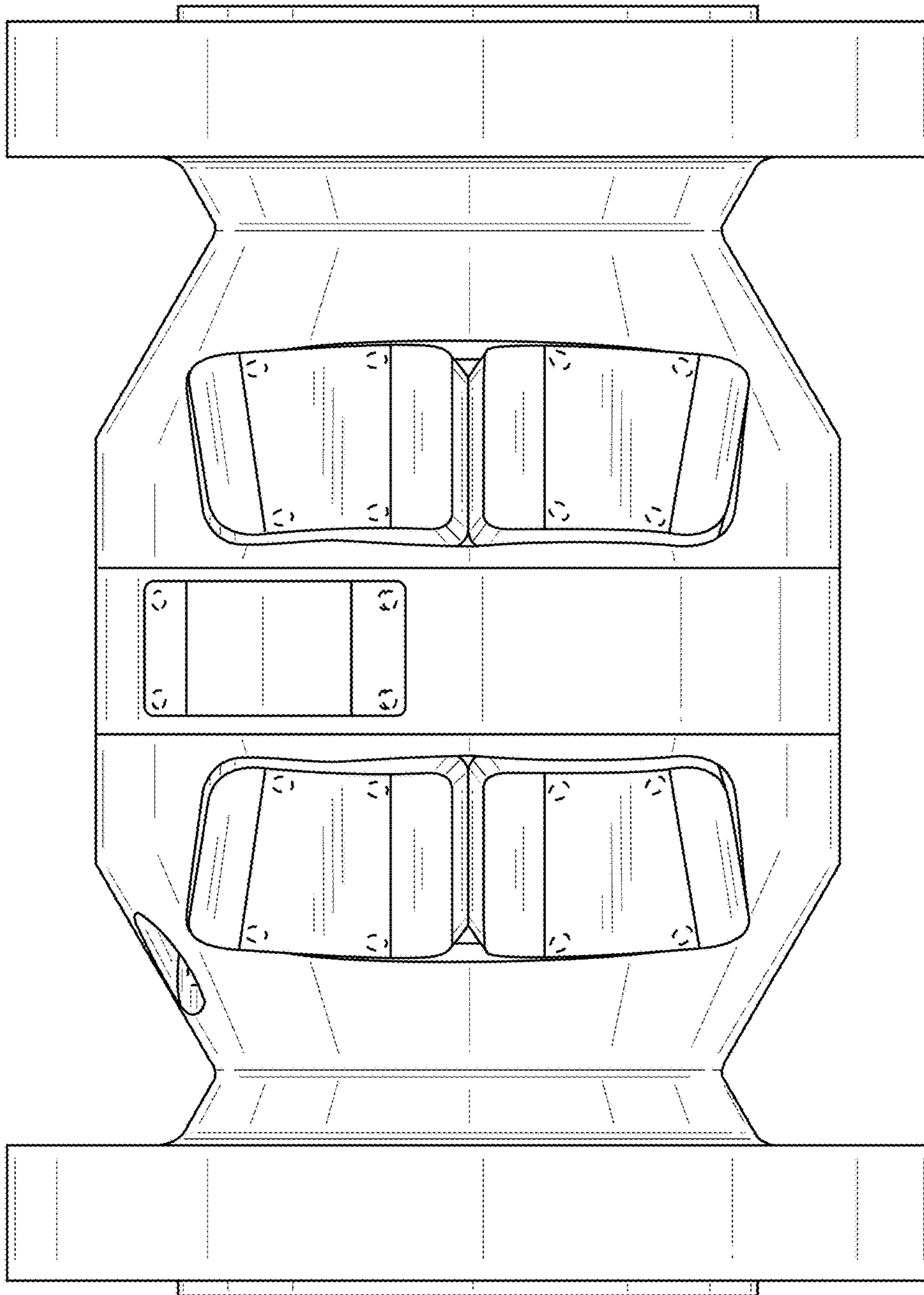


**FIG. 7**

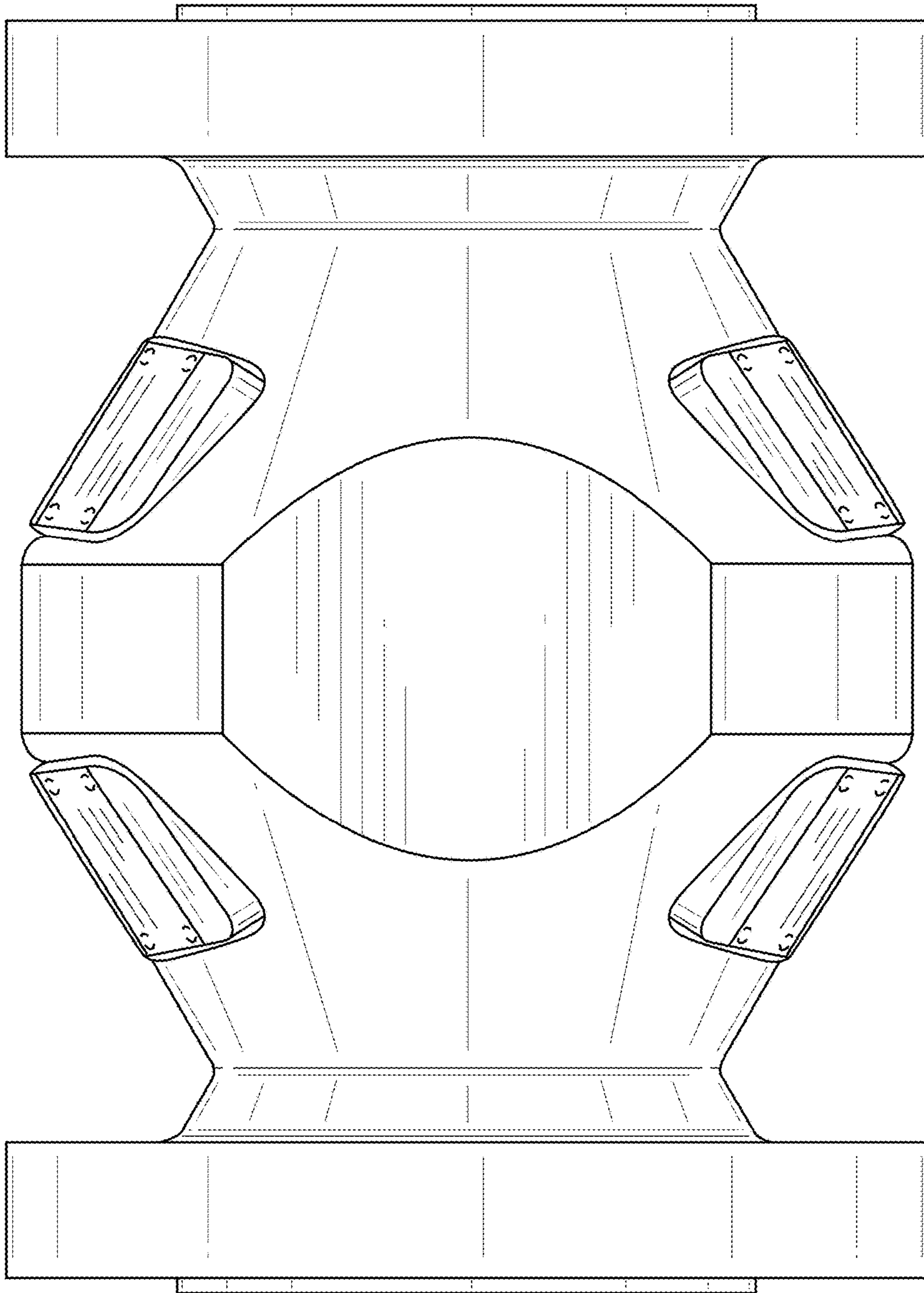




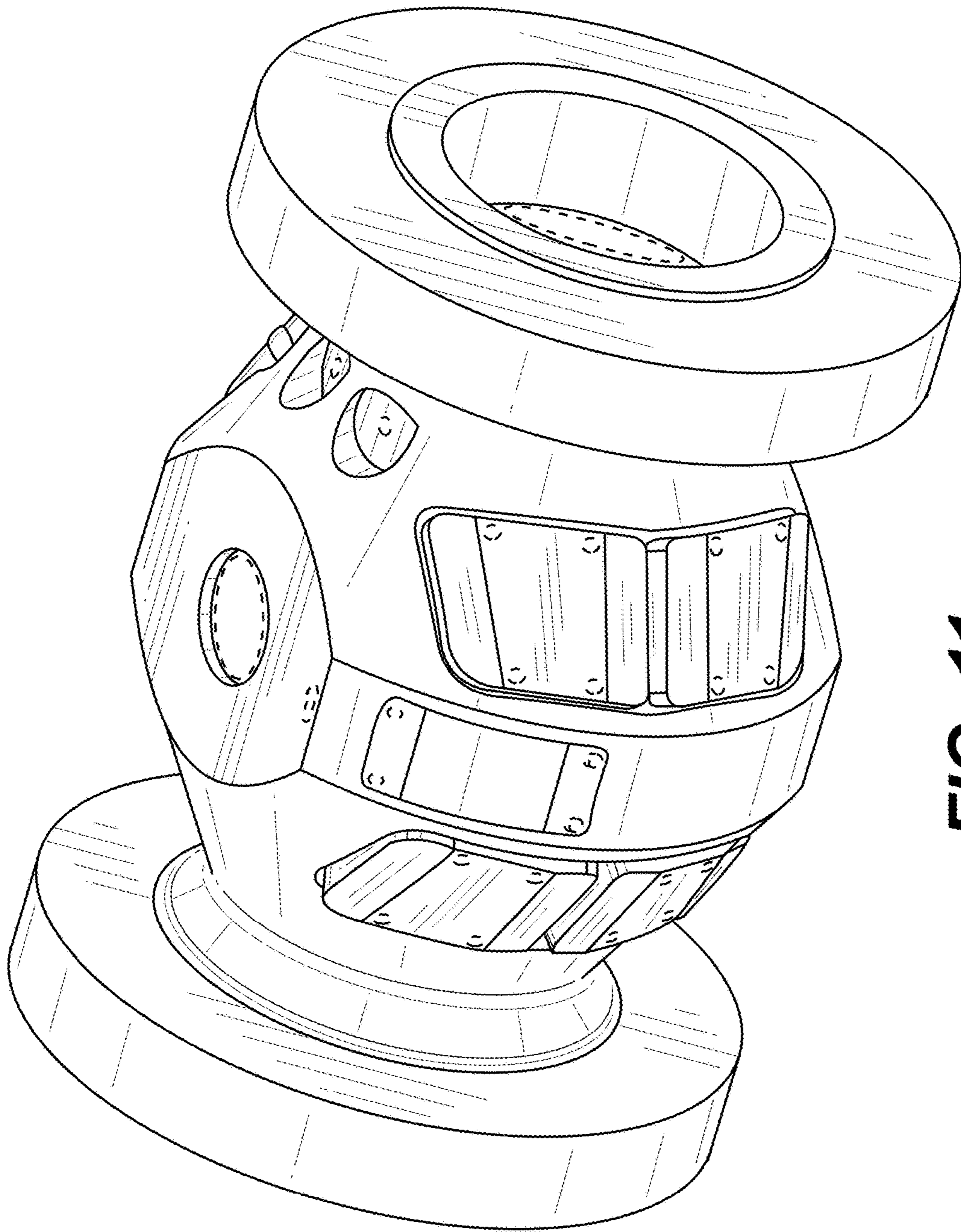
**FIG. 8**



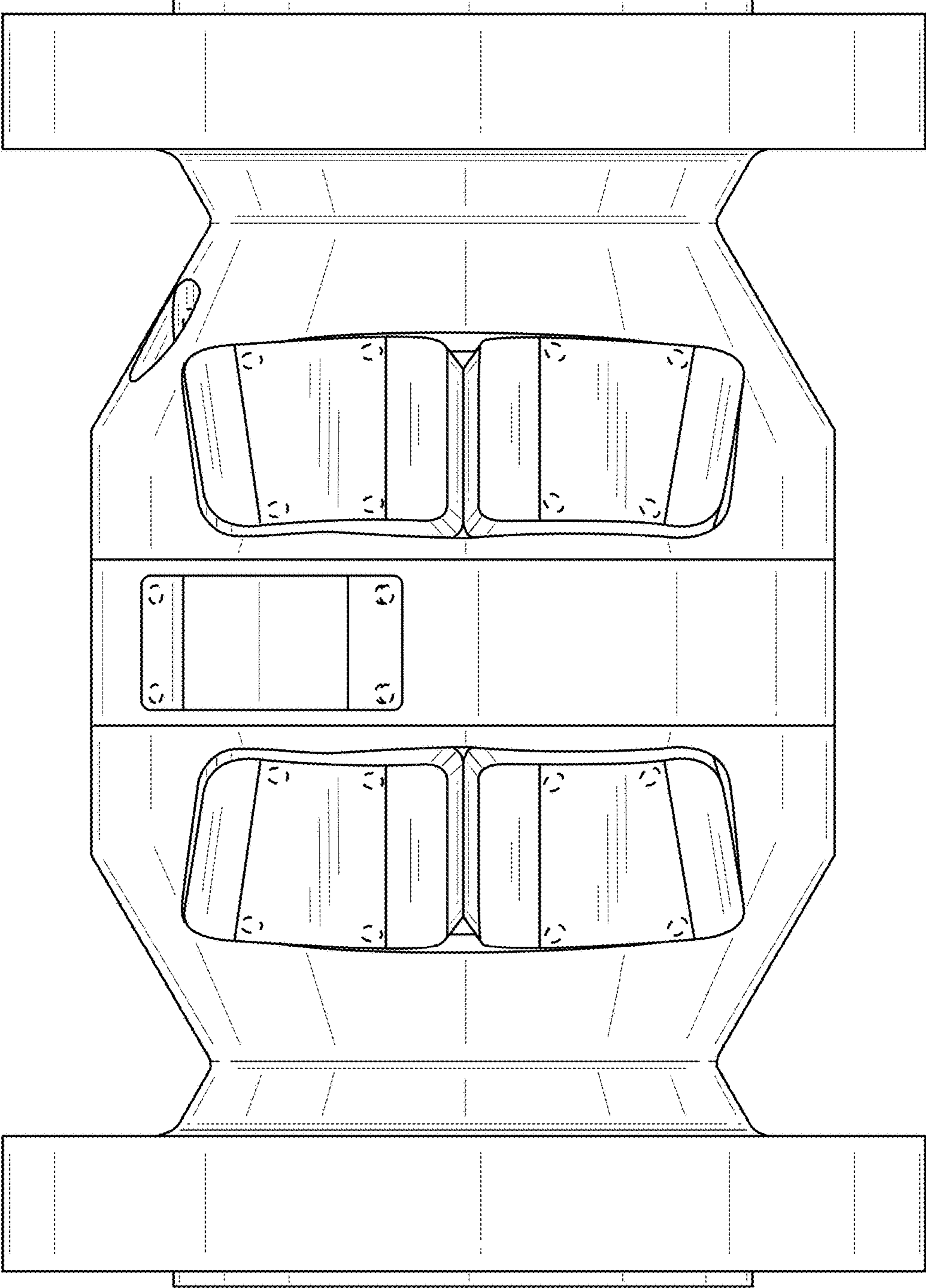
**FIG. 9**



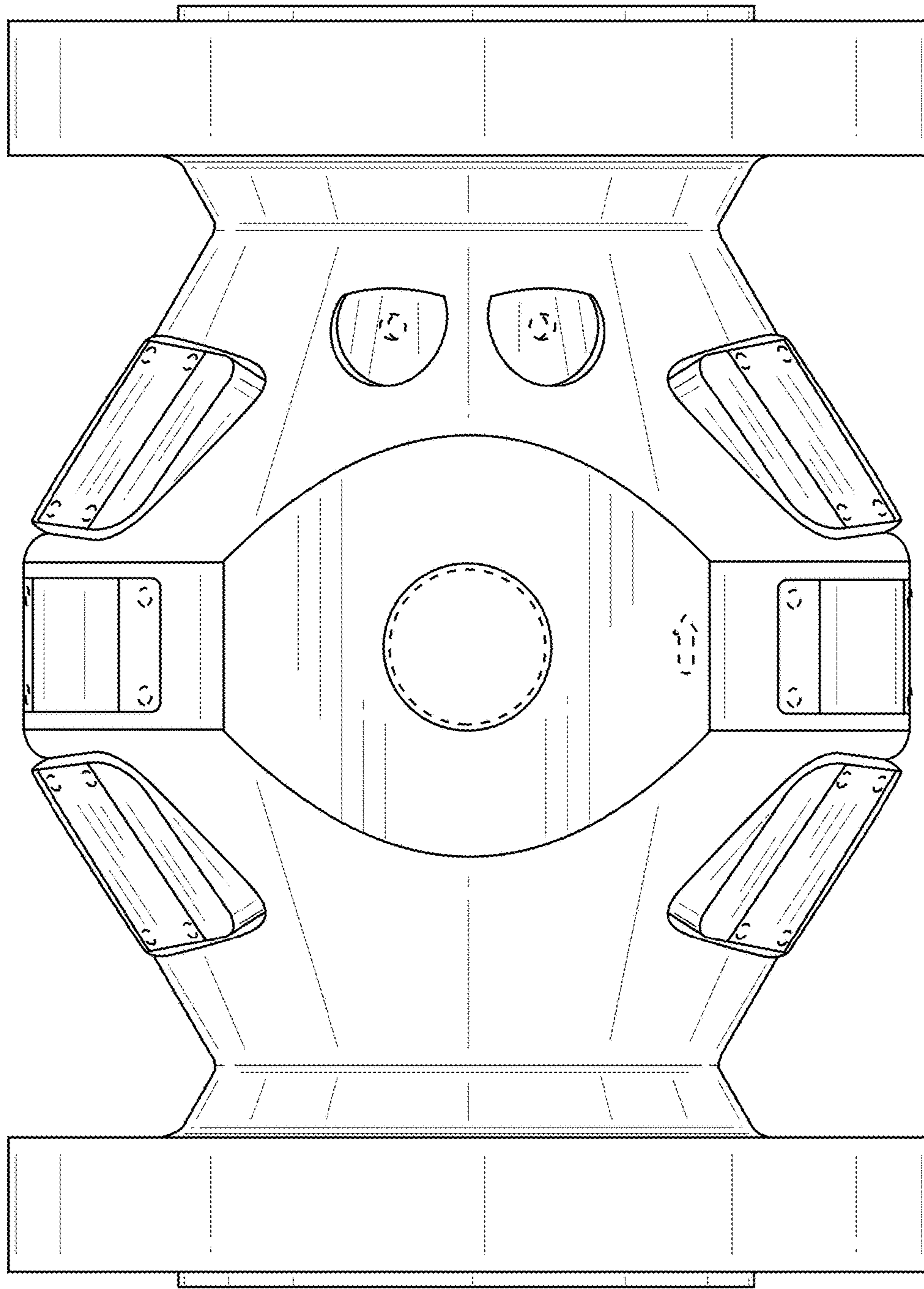
**FIG. 10**



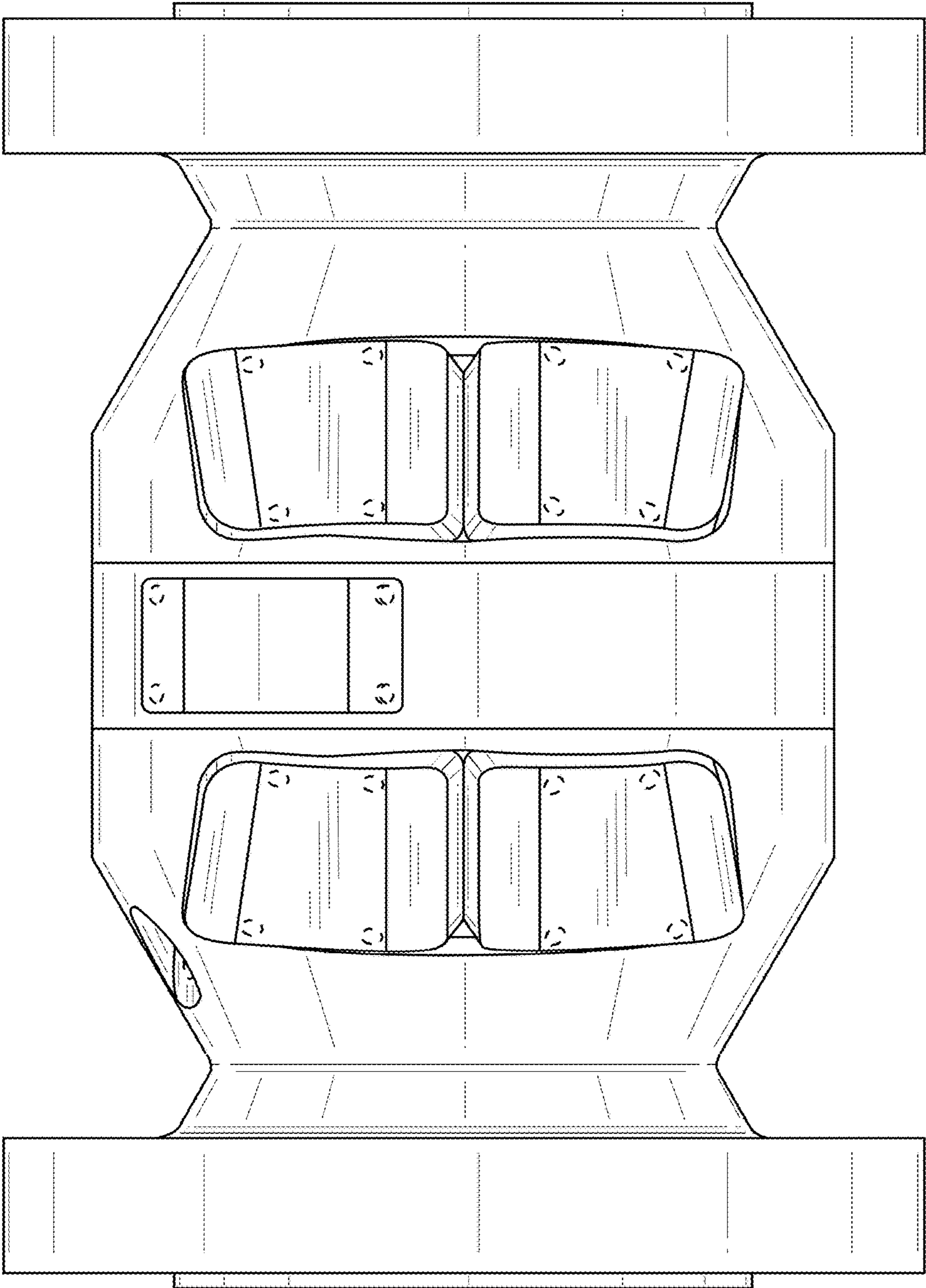
**FIG. 11**



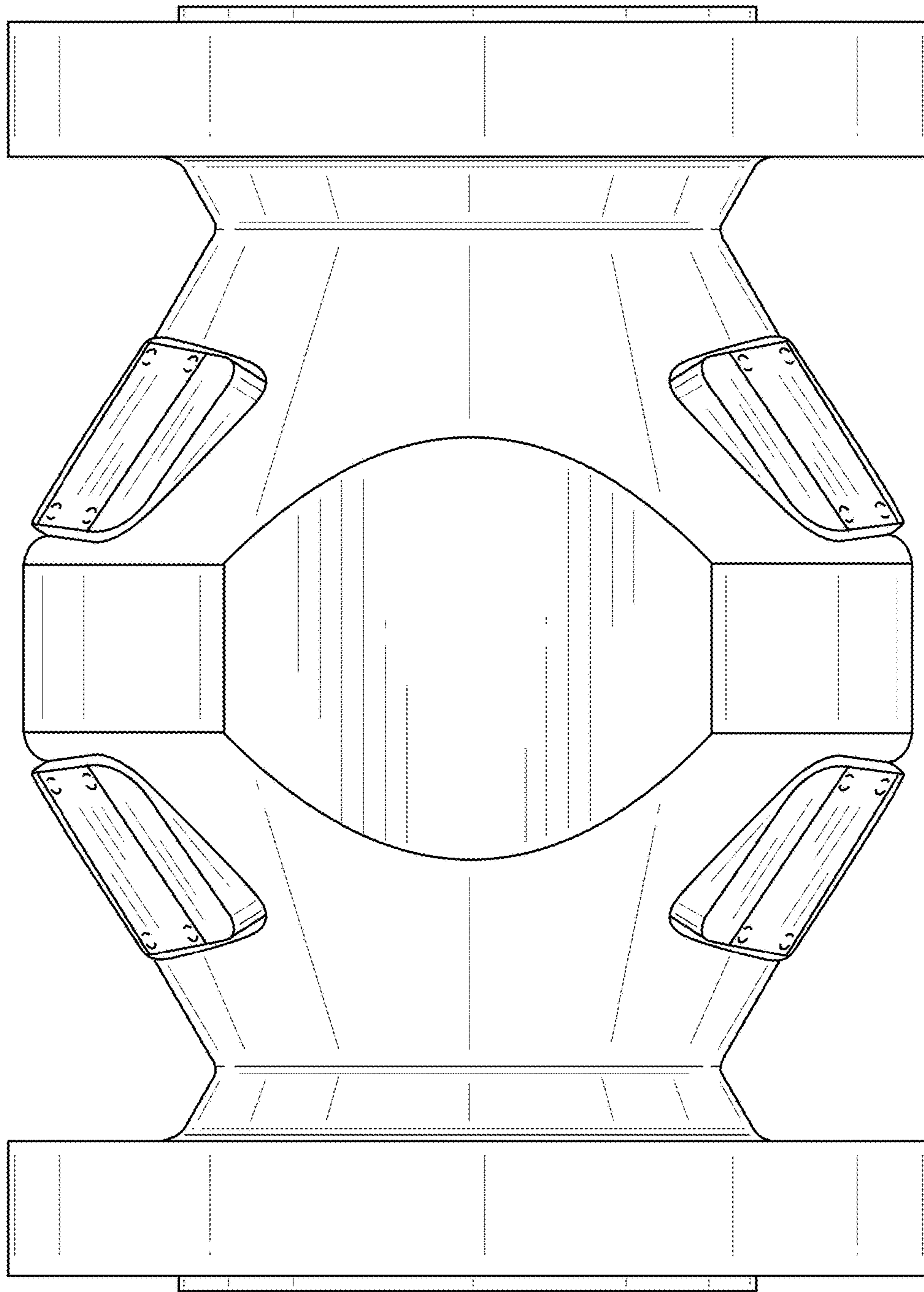
**FIG. 12**



**FIG. 13**



**FIG. 14**



**FIG. 15**