



US00D790997S

(12) **United States Design Patent**  
**Dewey et al.**

(10) **Patent No.:** **US D790,997 S**  
(45) **Date of Patent:** **\*\* Jul. 4, 2017**

(54) **HANDHELD MAINTENANCE TOOL**

(71) Applicant: **FISHER-ROSEMOUNT SYSTEMS, INC.**, Round Rock, TX (US)

(72) Inventors: **Alan Roger Dewey**, Plymouth, MN (US); **Todd M. Toepke**, Eden Prairie, MN (US); **Tom Johnson**, Rosemount, MN (US)

(73) Assignee: **FISHER-ROSEMOUNT SYSTEMS, INC.**, Round Rock, TX (US)

(\*\*) Term: **15 Years**

(21) Appl. No.: **29/571,212**

(22) Filed: **Jul. 15, 2016**

**Related U.S. Application Data**

(63) Continuation of application No. 29/523,409, filed on Apr. 9, 2015, now Pat. No. Des. 764,329.

(51) **LOC (10) Cl.** ..... **10-04**

(52) **U.S. Cl.**  
USPC ..... **D10/78**; D10/46

(58) **Field of Classification Search**  
USPC ..... D10/46, 75-78, 83-86  
CPC G05B 19/0428; G05B 19/409; G05B 19/048;  
G05B 19/4093; G05B 2219/36159; G05B  
2219/23406; G05B 2219/25428; G05B  
2219/24054; G05B 2219/23244;  
(Continued)

(56) **References Cited**

**U.S. PATENT DOCUMENTS**

D510,533 S 10/2005 Hoofnagle  
D563,810 S 3/2008 Gershfeld  
8,788,137 B2 7/2014 Bertosa et al.

(Continued)

*Primary Examiner* — Antoine D Davis

(74) *Attorney, Agent, or Firm* — Marshall, Gerstein & Borun LLP

(57) **CLAIM**

The ornamental design for a handheld maintenance tool, as shown and described.

**DESCRIPTION**

FIG. 1 is a front, right-side, and top view of a first embodiment of a handheld maintenance tool of the inventive design. FIG. 2 is a front view of the handheld maintenance tool shown in FIG. 1.

FIG. 3 is a left-side view of the handheld maintenance tool shown in FIG. 1.

FIG. 4 is a rear view of the handheld maintenance tool shown in FIG. 1.

FIG. 5 is a right-side view of the handheld maintenance tool shown in FIG. 1.

FIG. 6 is a top view of the handheld maintenance tool shown in FIG. 1.

FIG. 7 is a bottom view of the handheld maintenance tool shown in FIG. 1.

FIG. 8 is a front, right-side, and top view of a second embodiment of a handheld maintenance tool of the inventive design.

FIG. 9 is a front view of the handheld maintenance tool shown in FIG. 8.

FIG. 10 is a left-side view of the handheld maintenance tool shown in FIG. 8.

FIG. 11 is a rear view of the handheld maintenance tool shown in FIG. 8.

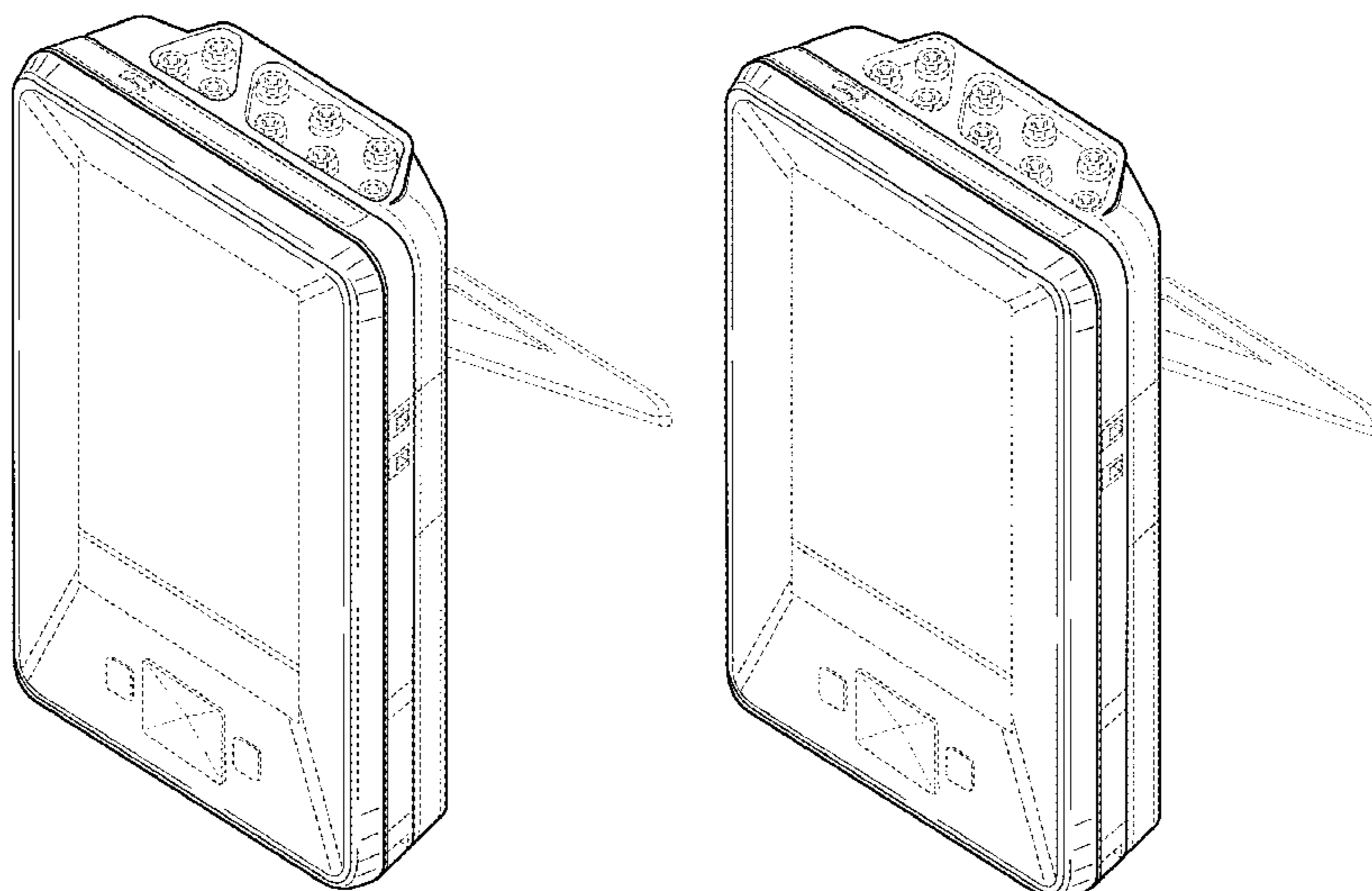
FIG. 12 is a right-side view of the handheld maintenance tool shown in FIG. 8.

FIG. 13 is a top view of the handheld maintenance tool shown in FIG. 8; and,

FIG. 14 is a bottom view of the handheld maintenance tool shown in FIG. 8.

The broken lines represent elements of the handheld maintenance tool that form no part of the claimed design.

**1 Claim, 14 Drawing Sheets**



(58) **Field of Classification Search**

CPC ..... G05B 2219/24056; G05B 2219/24058;  
G05B 2219/24084

See application file for complete search history.

(56) **References Cited**

U.S. PATENT DOCUMENTS

D714,171 S	9/2014	Hoofnagle et al.	
D752,460 S *	3/2016	Gnauck .....	D10/78
D756,820 S *	5/2016	Rekow .....	D10/78
D759,521 S *	6/2016	Rekow .....	D10/78

\* cited by examiner

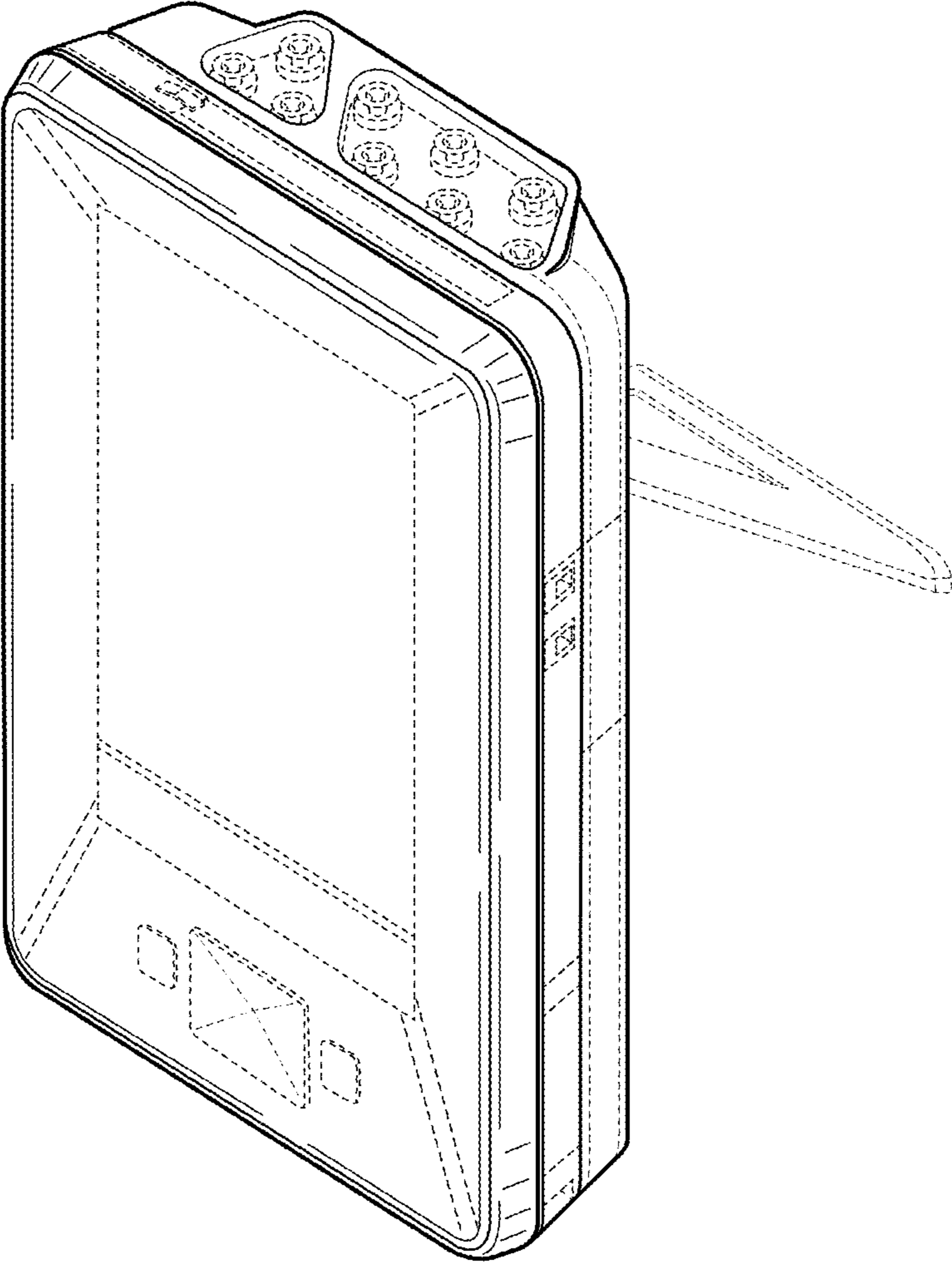


FIG. 1

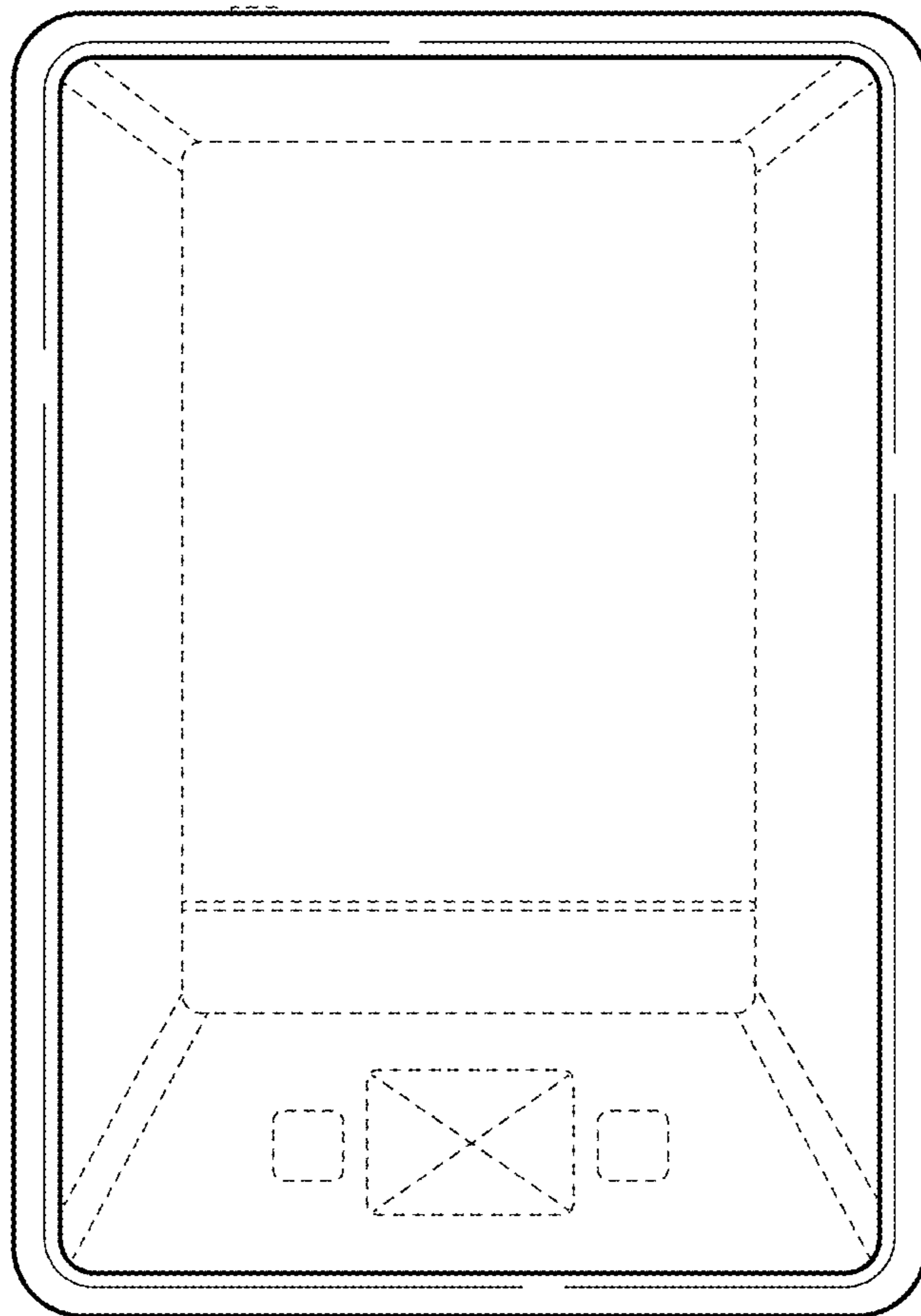


FIG. 2

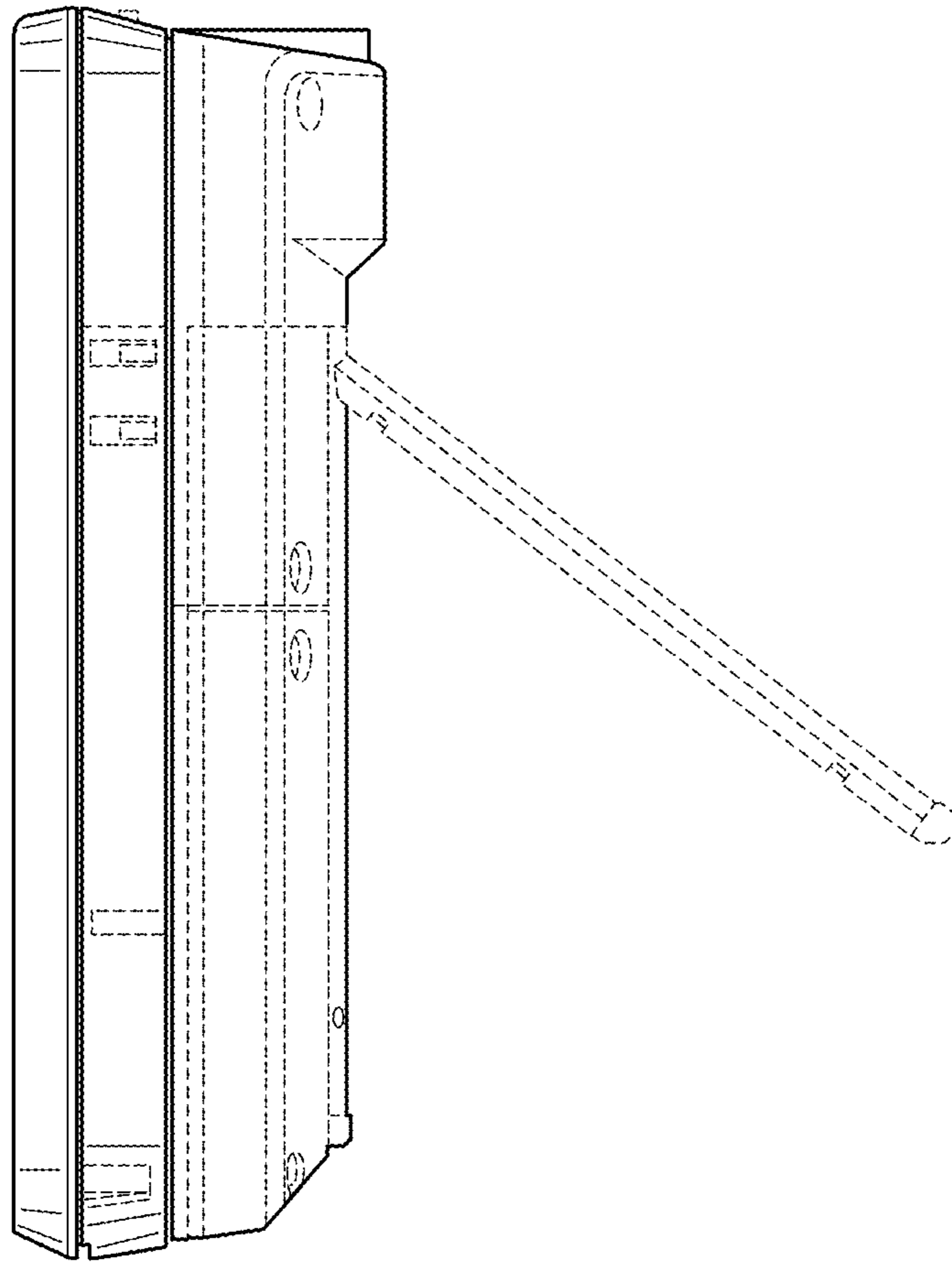


FIG. 3

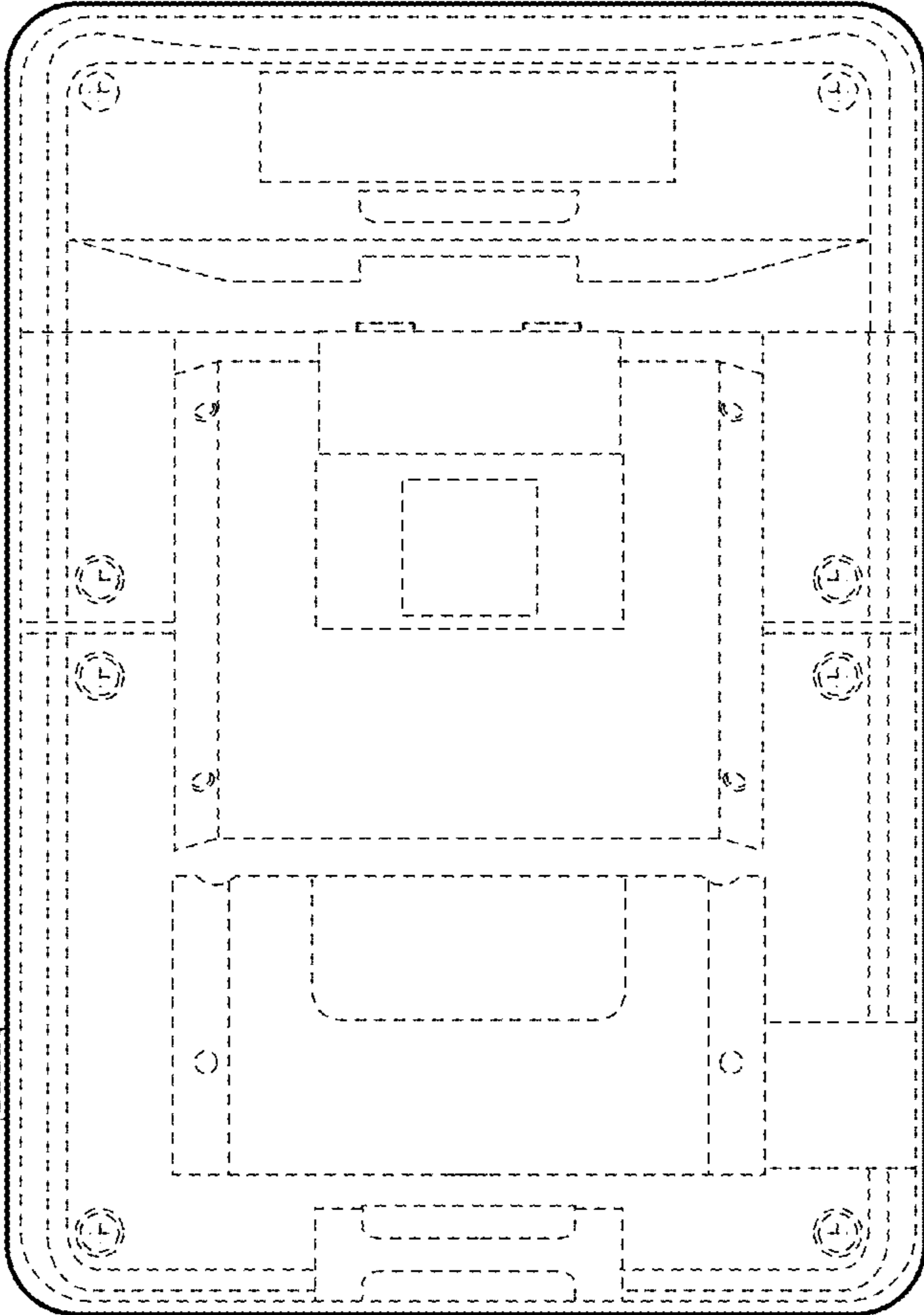


FIG. 4

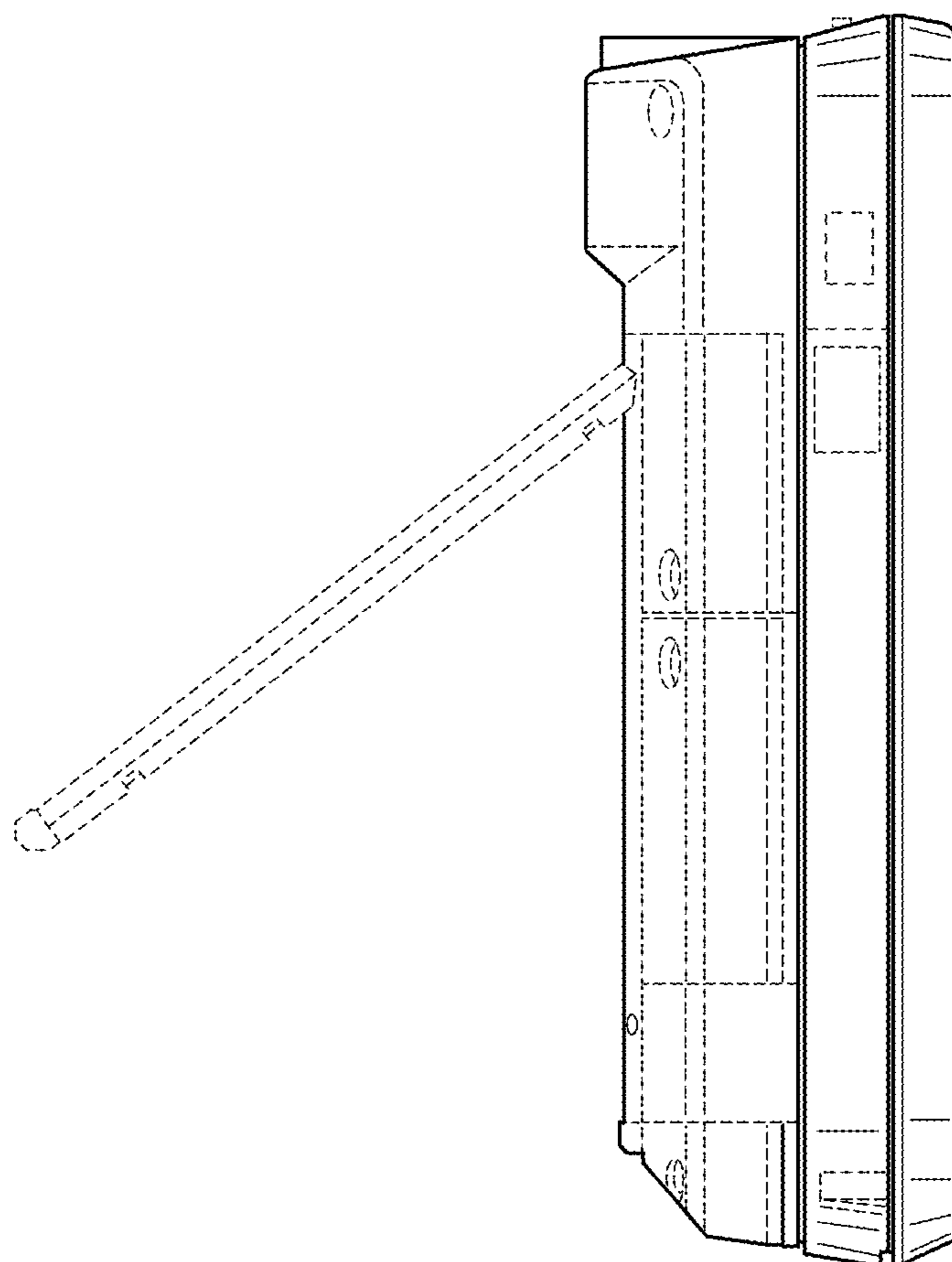


FIG. 5

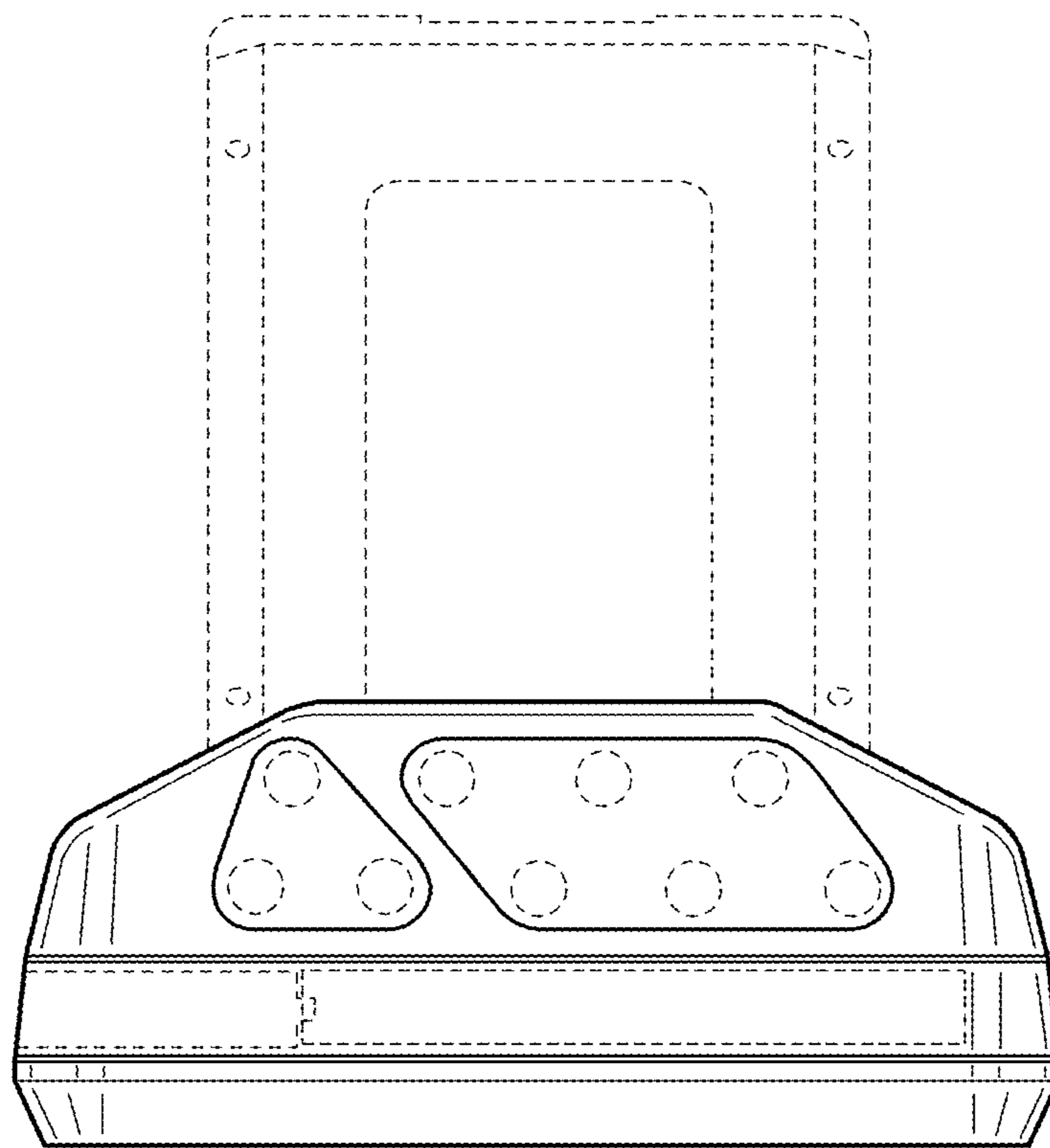


FIG. 6



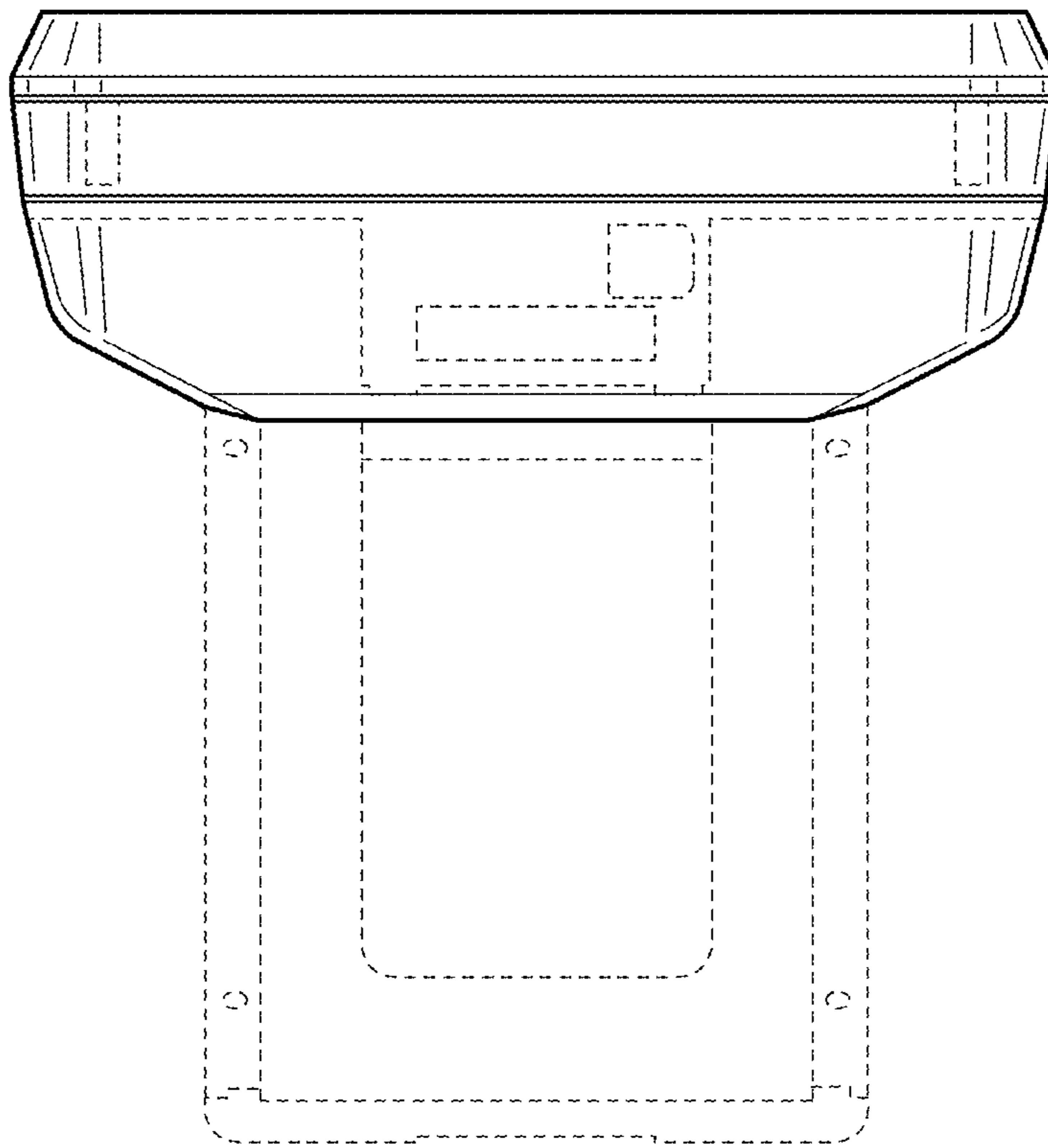


FIG. 7

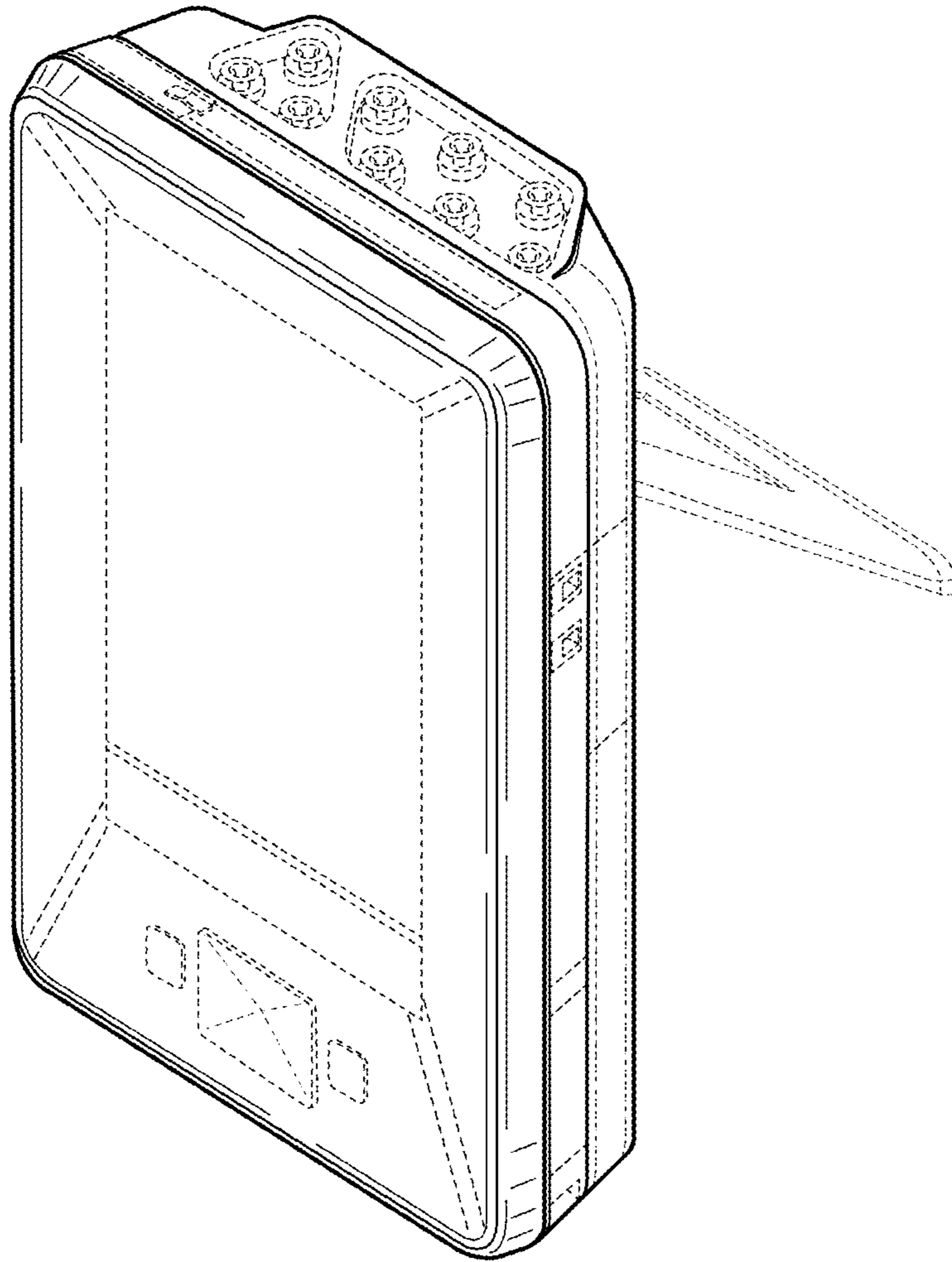


FIG. 8

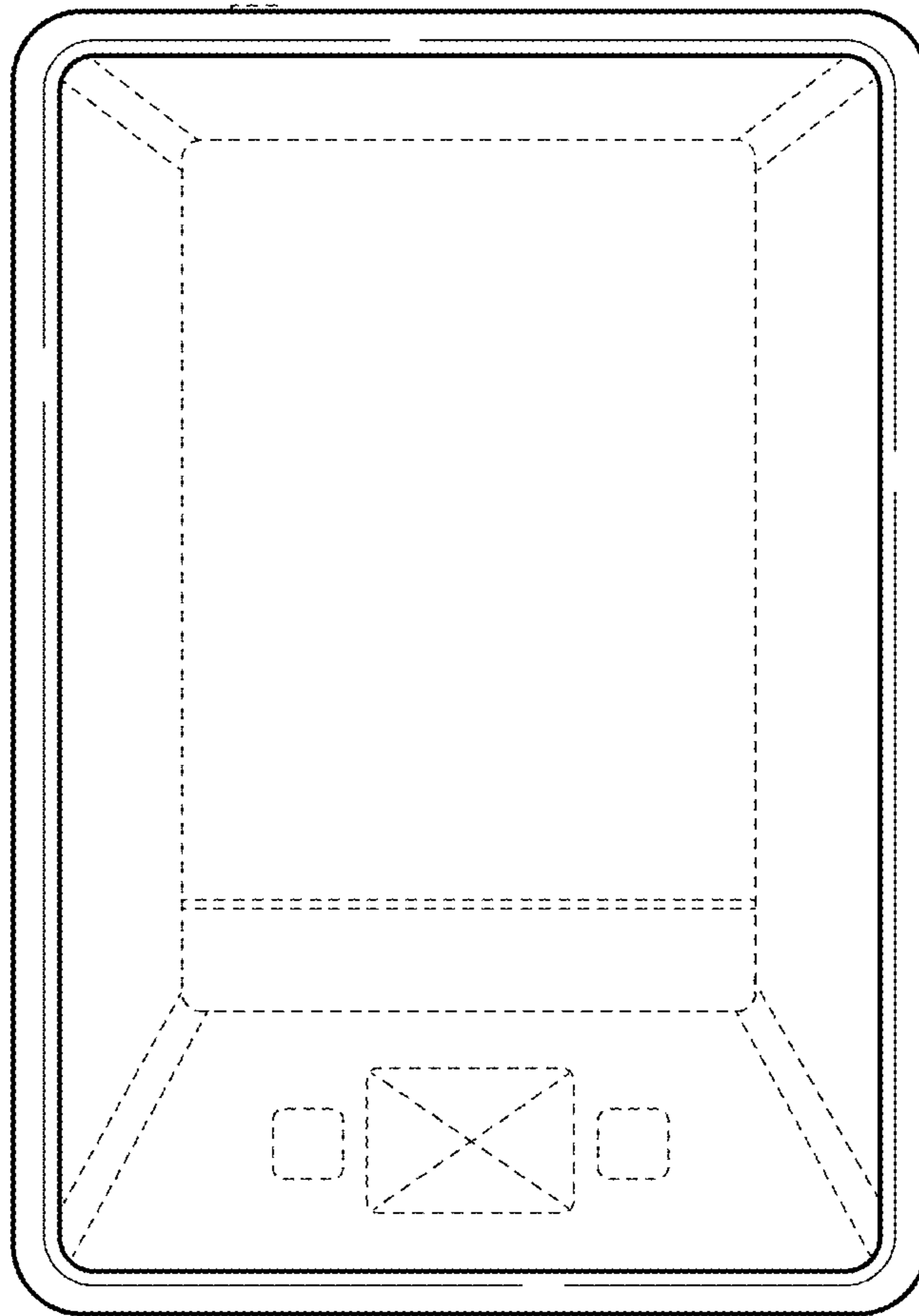


FIG. 9

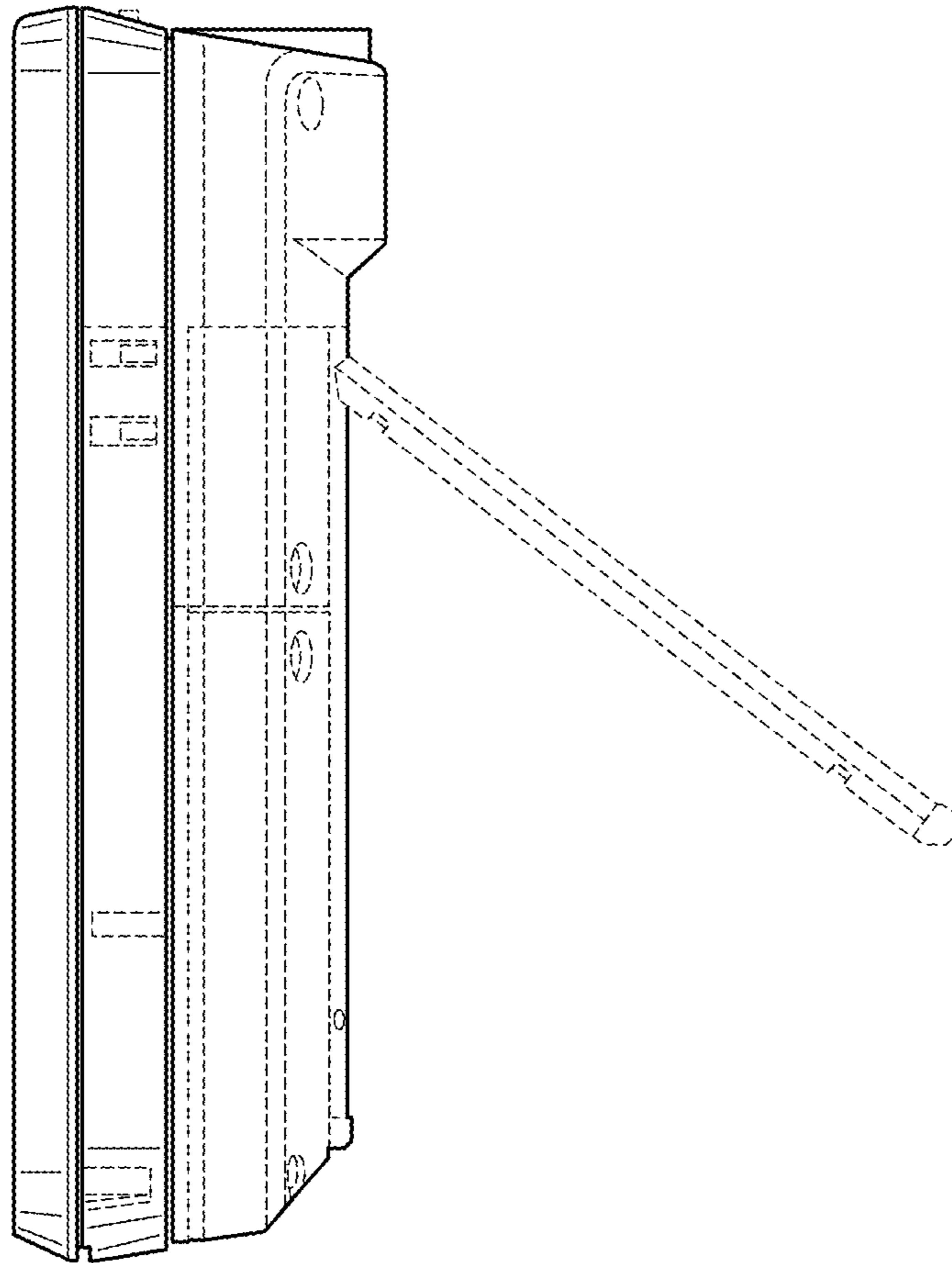


FIG. 10

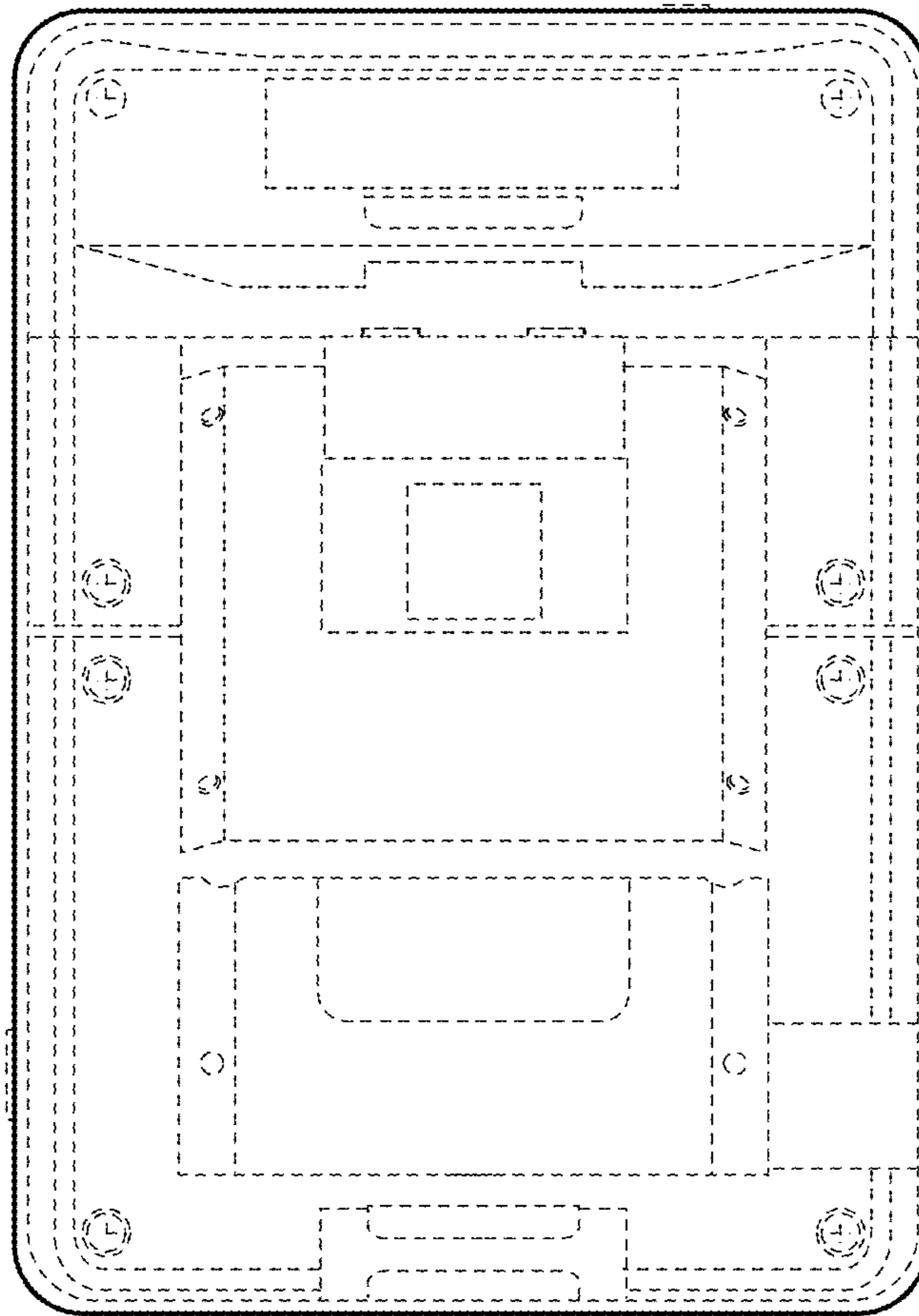


FIG. 11

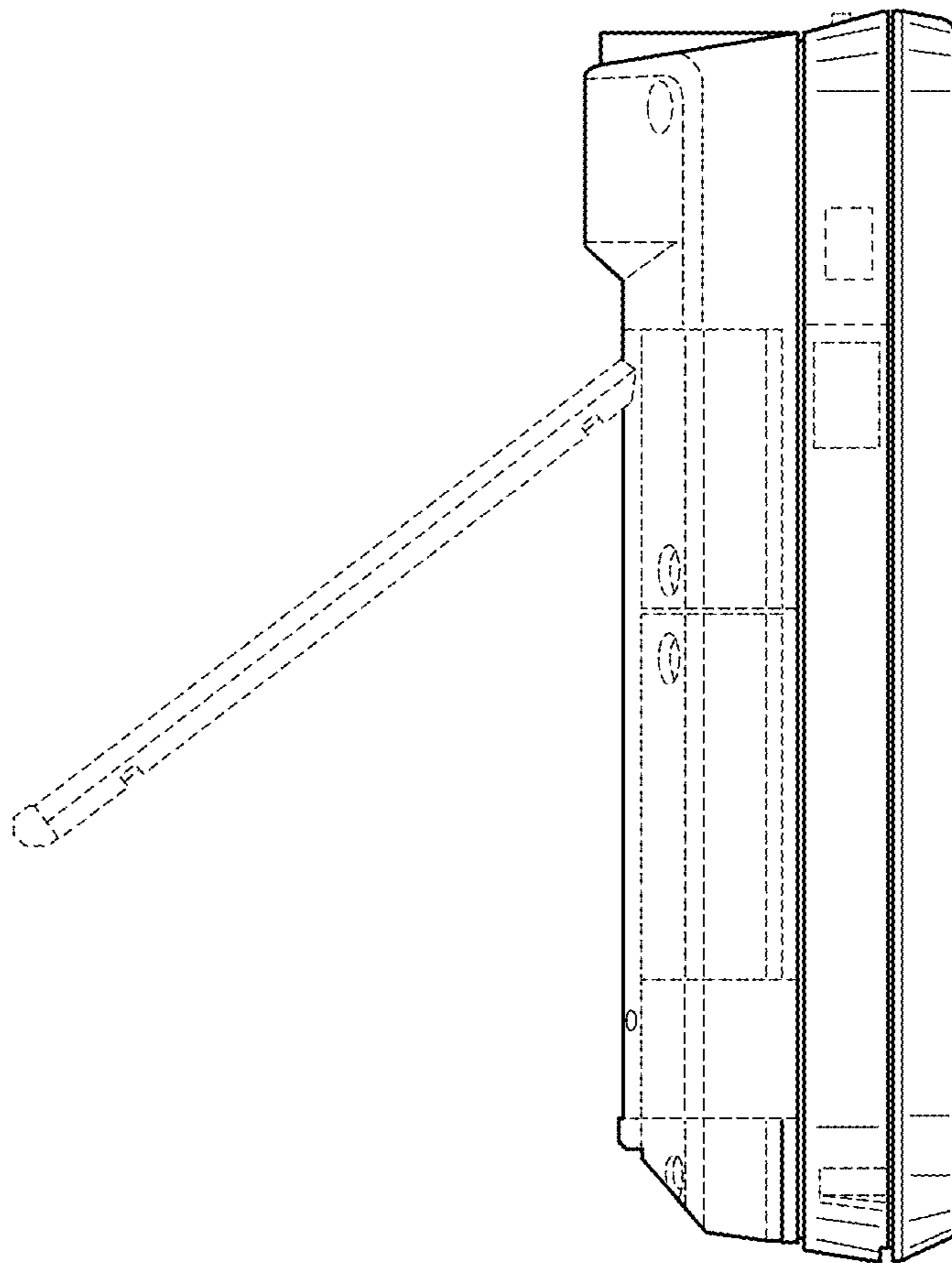


FIG. 12

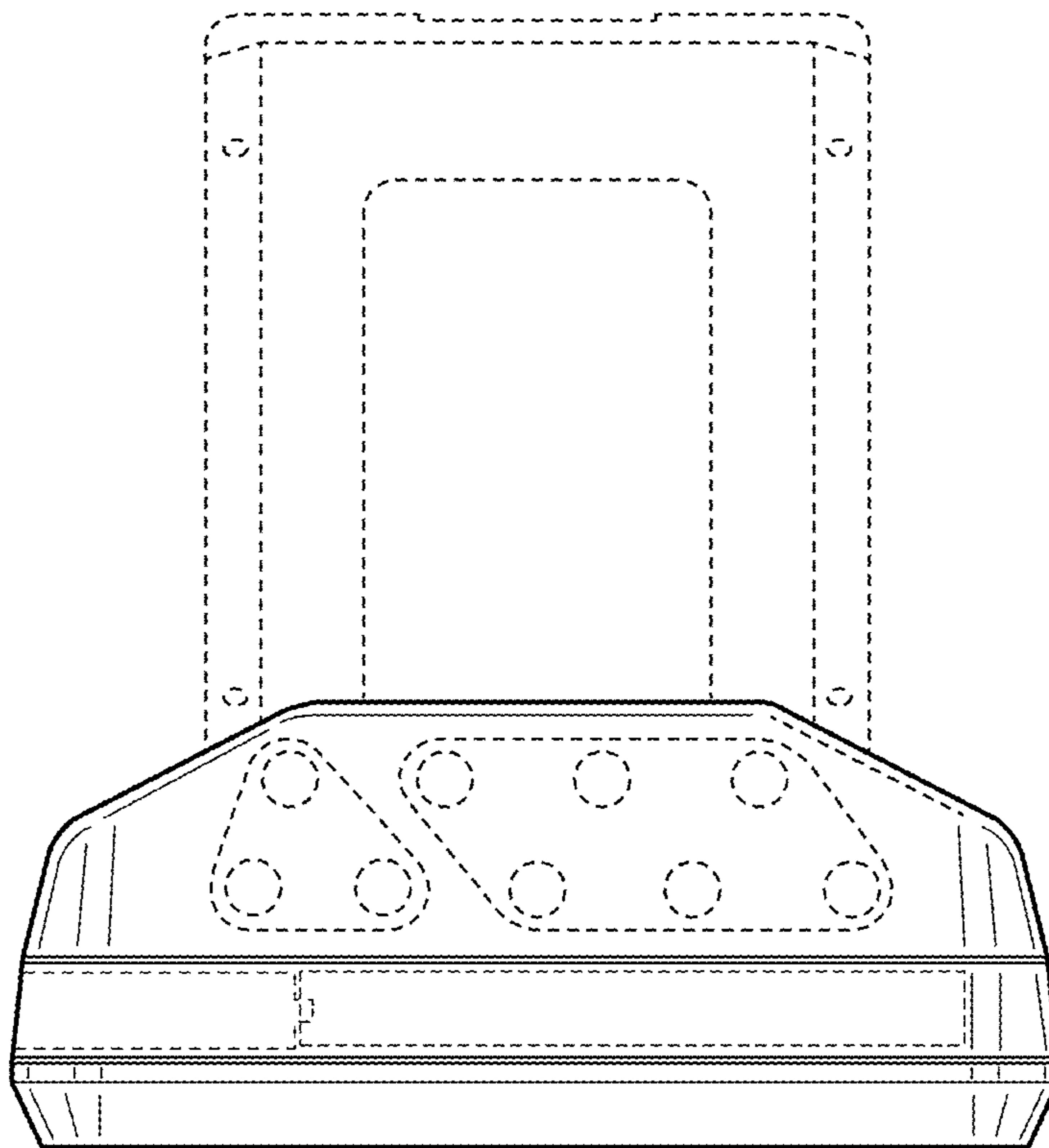


FIG. 13

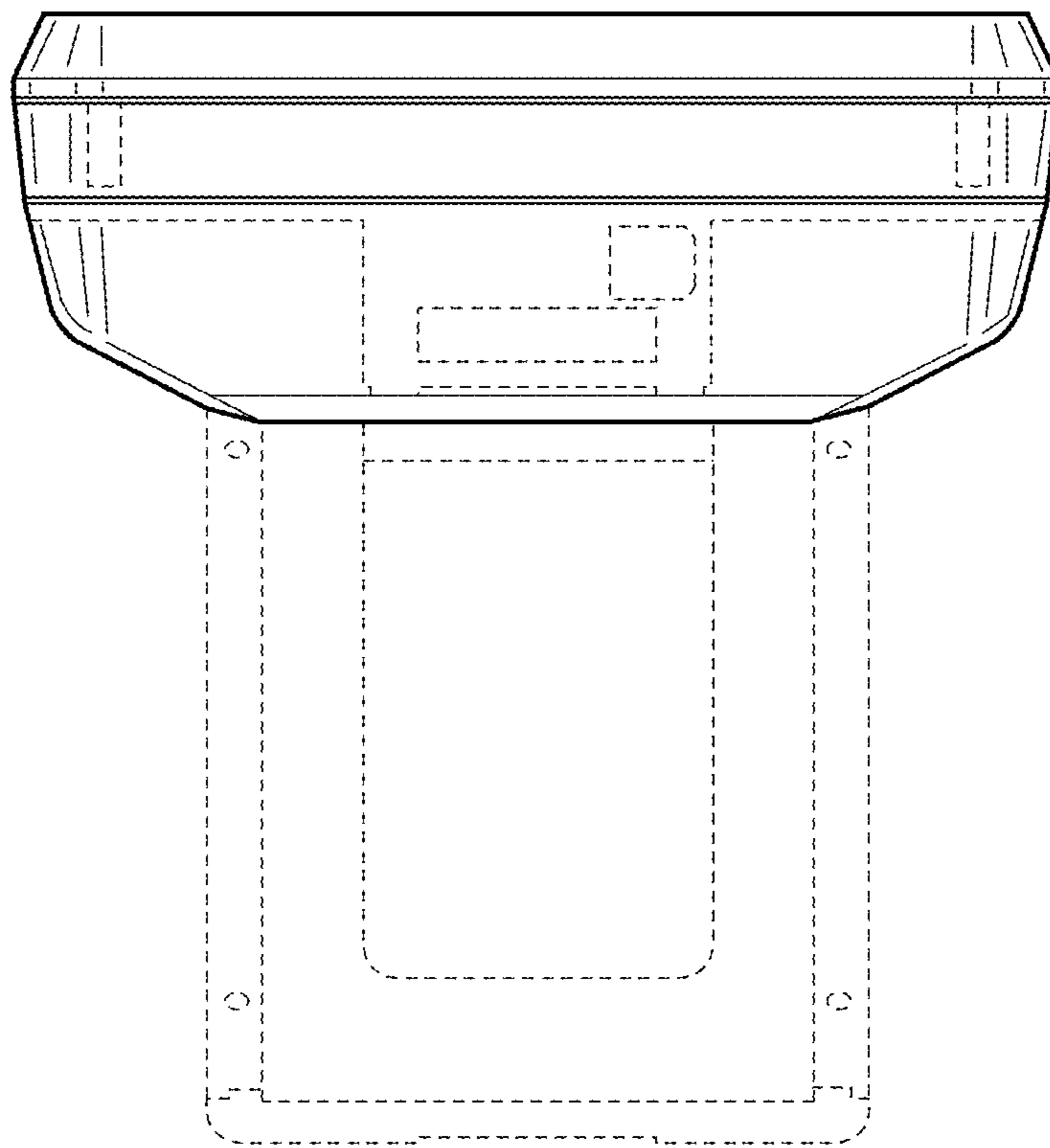


FIG. 14