



US00D790996S

(12) **United States Design Patent**
Farley et al.

(10) **Patent No.:** **US D790,996 S**

(45) **Date of Patent:** **** Jul. 4, 2017**

(54) **TRACKING DEVICE**

(71) Applicant: **Tile, Inc.**, San Mateo, CA (US)

(72) Inventors: **Michael George Farley**, San Mateo, CA (US); **Mayank Kumar**, San Francisco, CA (US); **Melody Quintana**, San Carlos, CA (US); **Patrick Donnelly**, San Mateo, CA (US); **David Robert Dykes**, Los Altos Hills, CA (US); **Valentin Jean Charles Marcel Sollier**, San Francisco, CA (US); **Yves Behar**, San Francisco, CA (US); **John Mathew Depew**, Sunnyvale, CA (US)

(73) Assignee: **Tile, Inc.**, San Mateo, CA (US)

(**) Term: **15 Years**

(21) Appl. No.: **29/576,878**

(22) Filed: **Sep. 7, 2016**

(51) **LOC (10) Cl.** **10-04**

(52) **U.S. Cl.**
USPC **D10/70; D10/104.2; D10/106.92; D10/106.94**

(58) **Field of Classification Search**
USPC ... **D10/65, 70, 74, 80, 104.2, 106.9, 106.92, D10/106.93, 106.94**
CPC **A41D 1/02; A44C 5/0015; A44C 5/02; A44C 5/14; A61B 19/44; A61B 2019/446; A63B 71/06; A63B 26/00; A63B 24/0075; A63B 2071/0663; G09F 3/005; G06F 1/163; G06F 3/038; G06F 3/03547; G04G 17/00; G04G 17/08**

See application file for complete search history.

(56) **References Cited**

U.S. PATENT DOCUMENTS

D693,248	S	*	11/2013	Anderssen	D10/65
D723,957	S	*	3/2015	Evans	D10/70
D726,035	S	*	4/2015	Perez	D10/65
9,134,768	B2	*	9/2015	Yoon	G06F 1/1626
9,183,719	B2	*	11/2015	Gouge	A61B 5/01
D748,507	S	*	2/2016	Evans	D10/70
D761,138	S	*	7/2016	Manabe	D10/65

* cited by examiner

Primary Examiner — Antoine D Davis

(74) *Attorney, Agent, or Firm* — Fenwick & West LLP

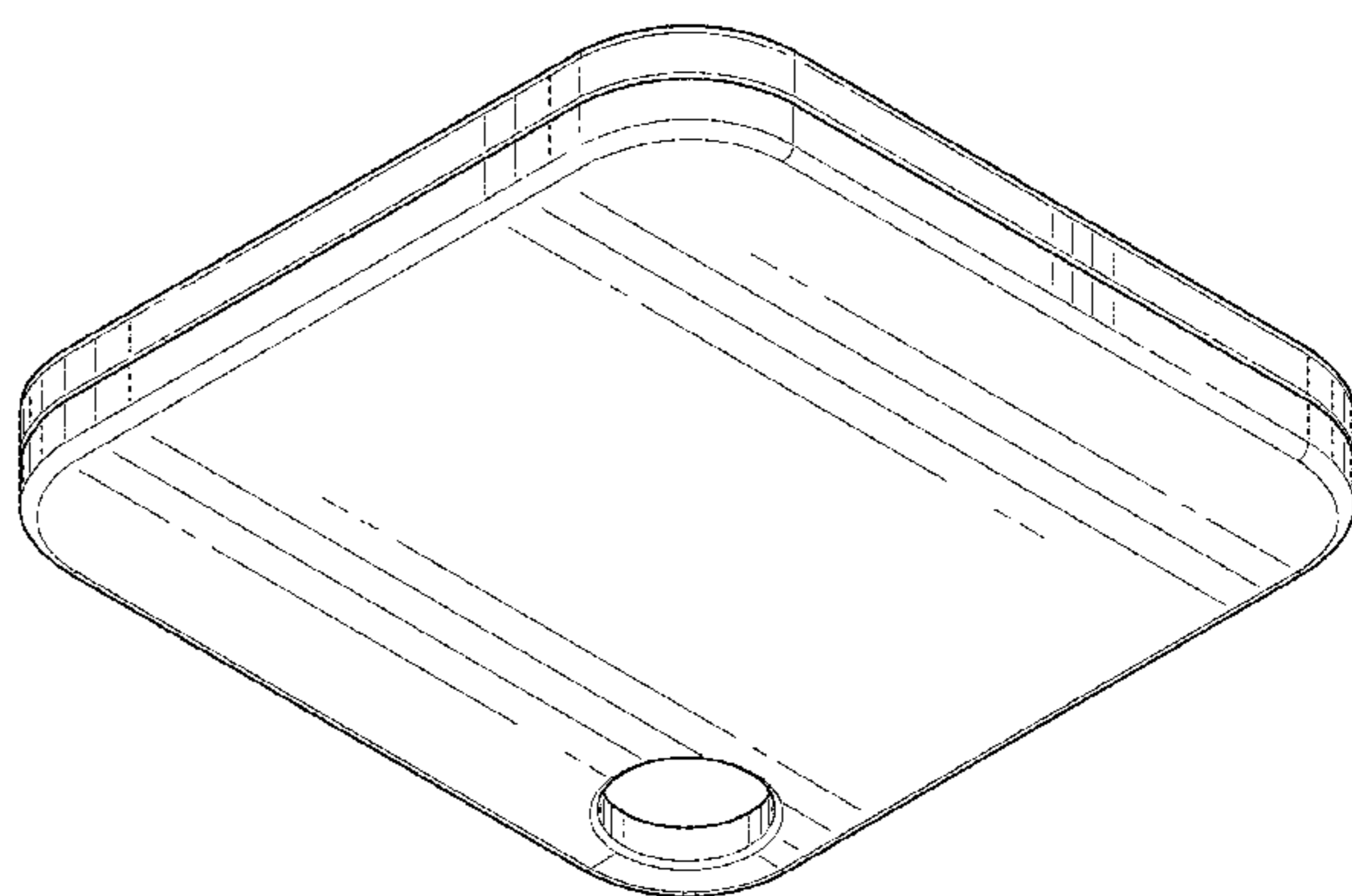
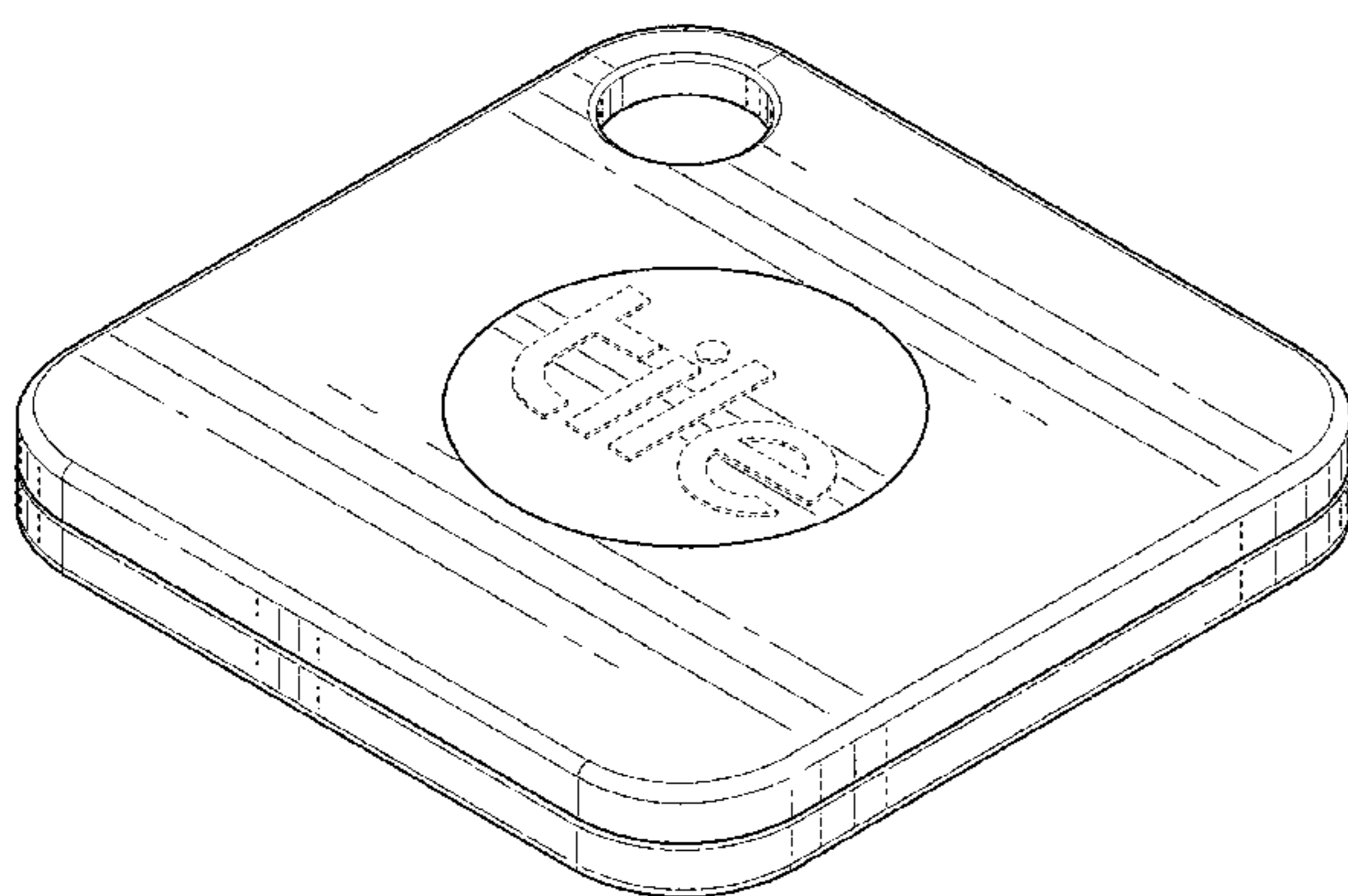
(57) **CLAIM**

The ornamental design for a tracking device, as shown and described.

DESCRIPTION

FIG. 1 is a top, front, and right side perspective view of a tracking device;
FIG. 2 is a bottom, front, and right side perspective view thereof;
FIG. 3 is a top plan view thereof;
FIG. 4 is a bottom plan view thereof;
FIG. 5 is a left side elevational view thereof;
FIG. 6 is a right side elevational view thereof;
FIG. 7 is a front elevational view thereof; and,
FIG. 8 is a rear elevational view thereof.
The broken lines in the drawings showing portions of the tracking device are included for the purpose of illustrating environmental structure and form no part of the claimed design.

1 Claim, 8 Drawing Sheets



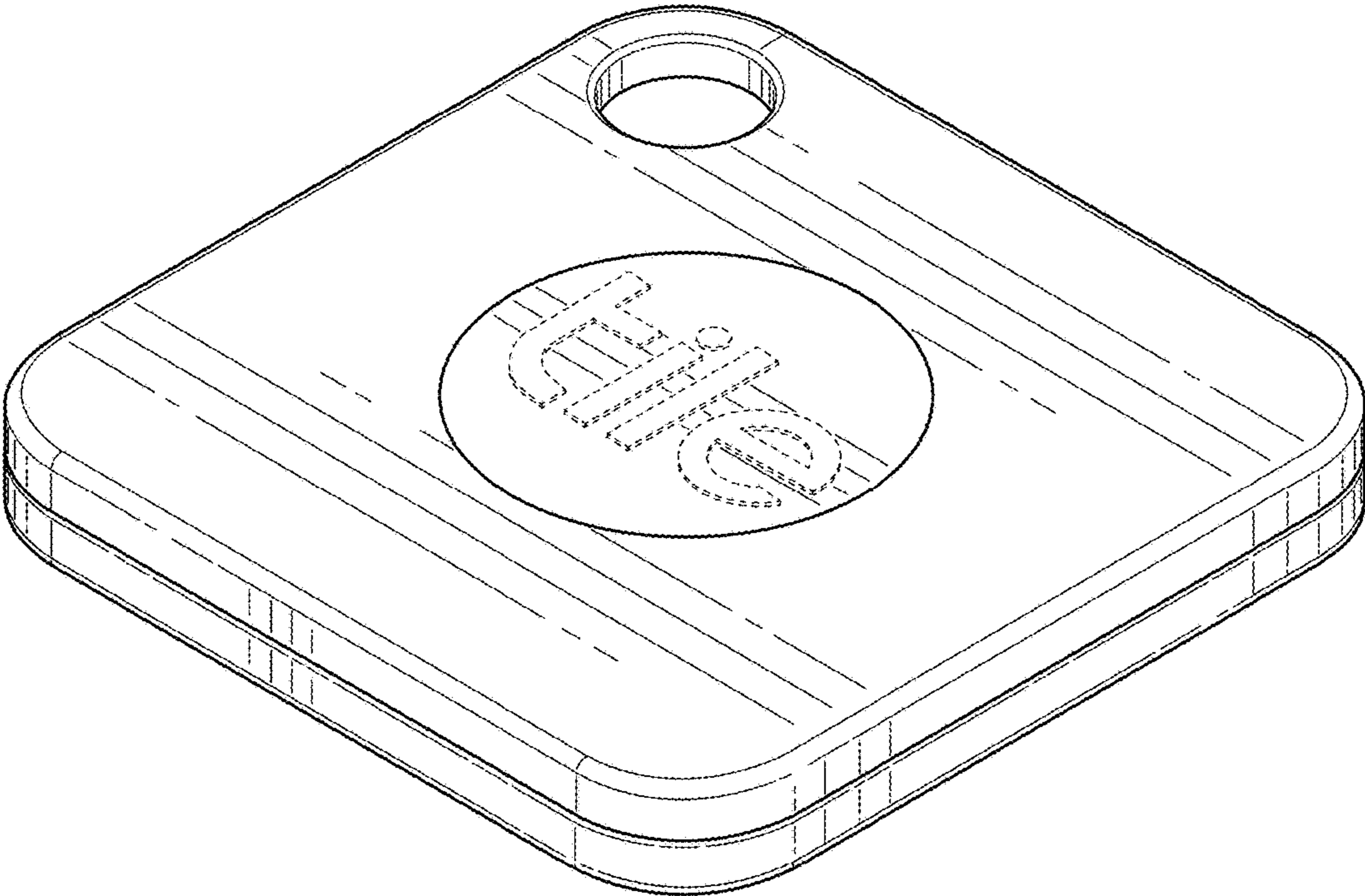


FIG. 1

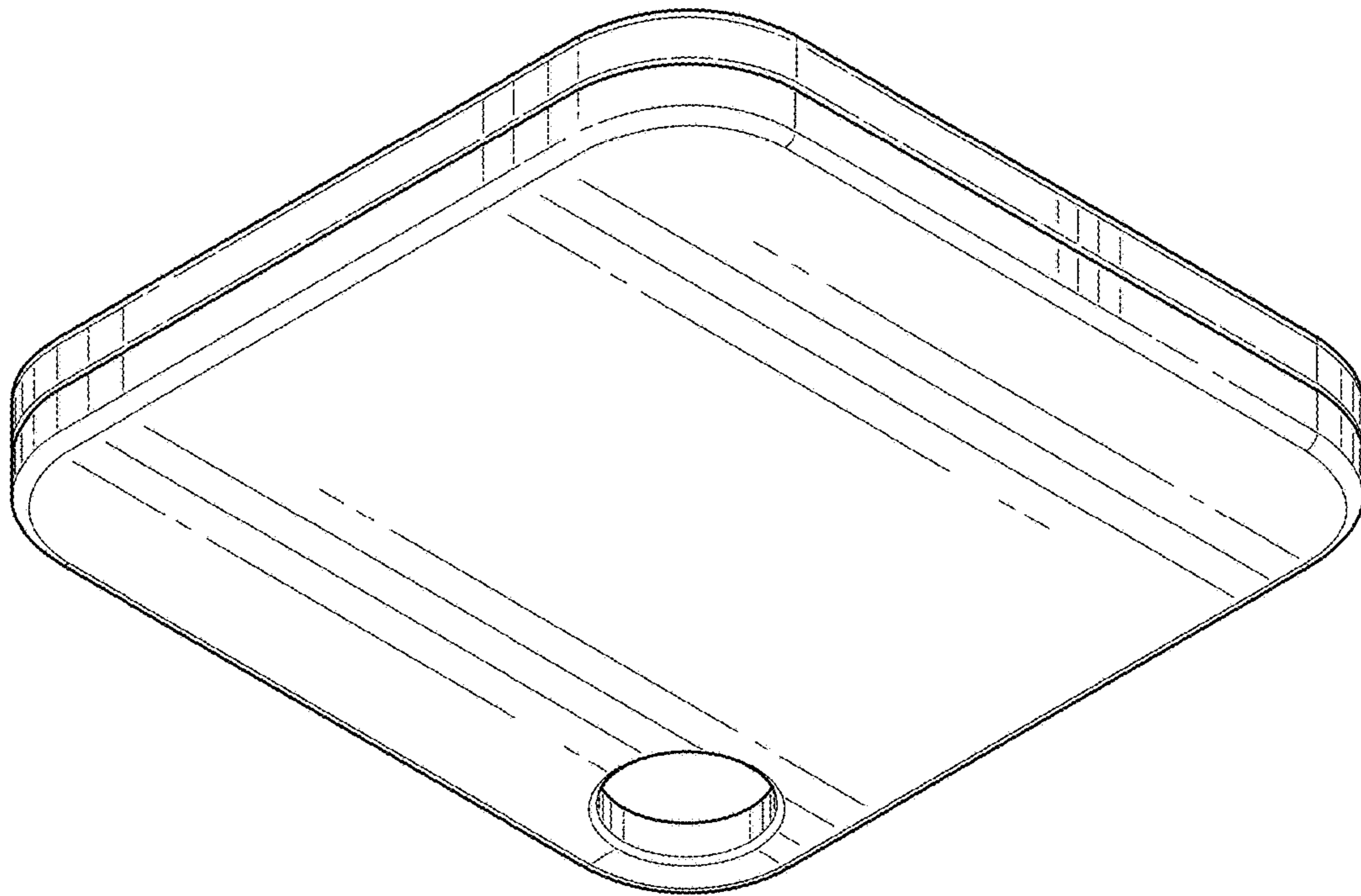


FIG. 2

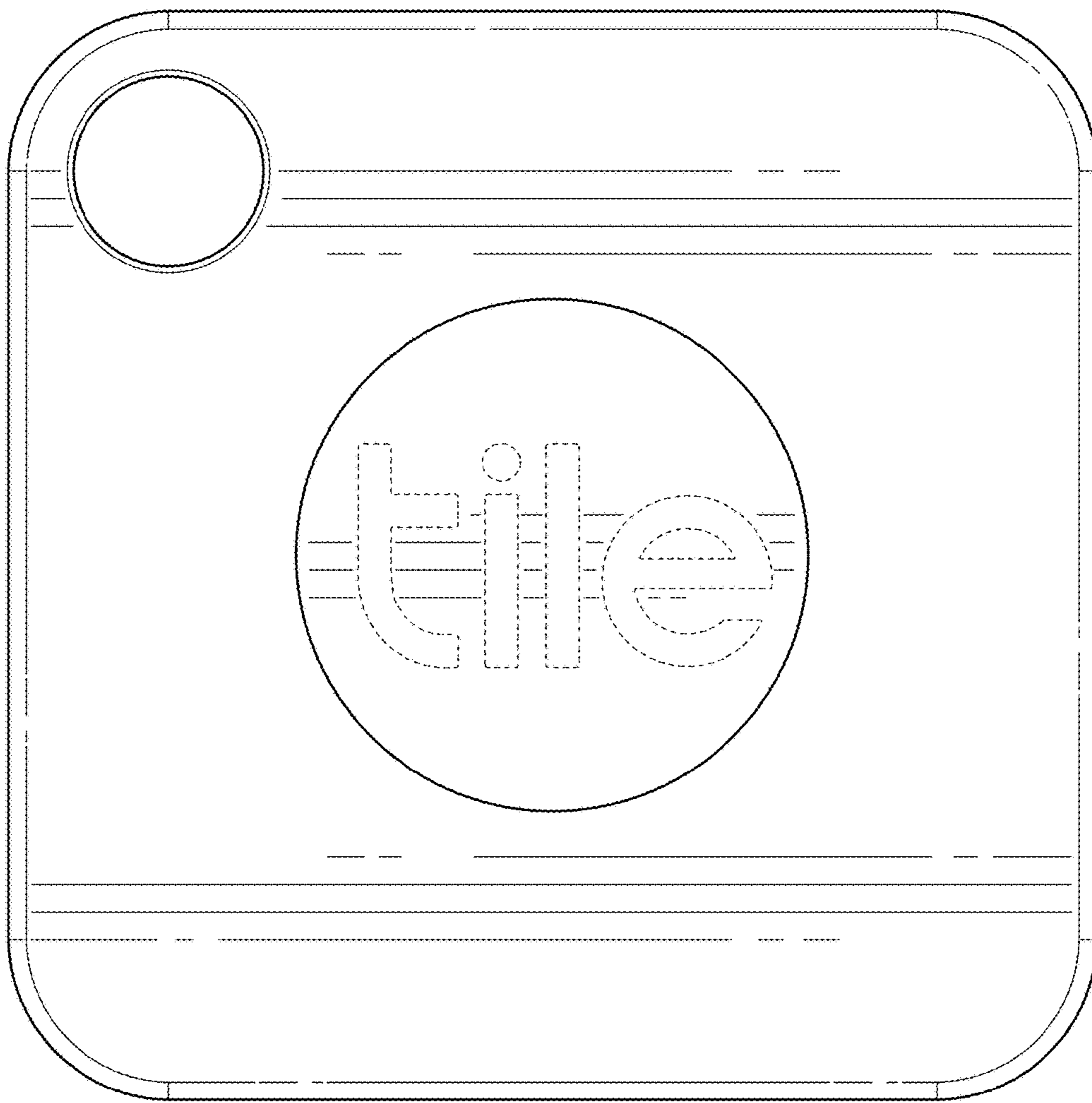


FIG. 3

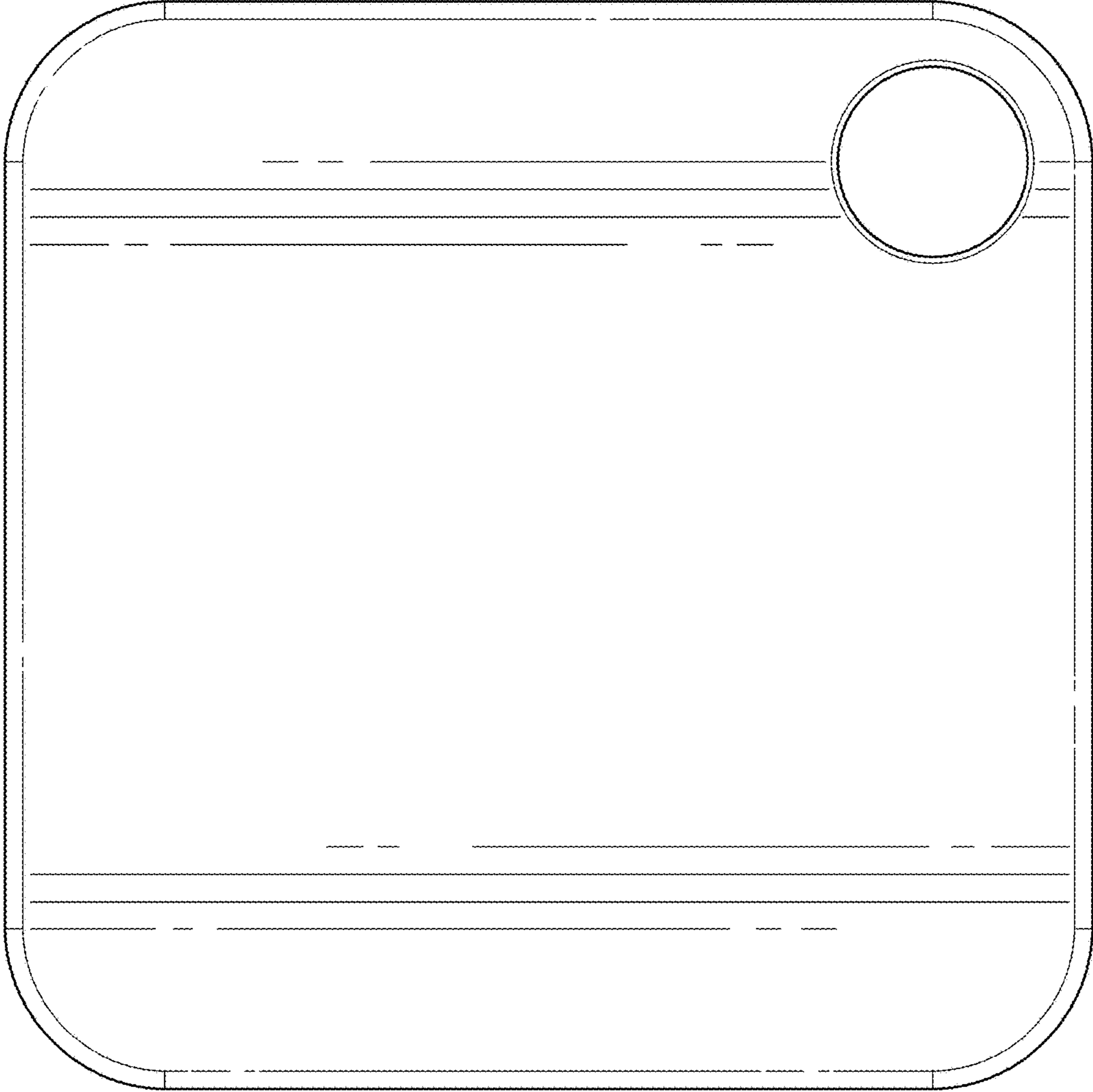


FIG. 4

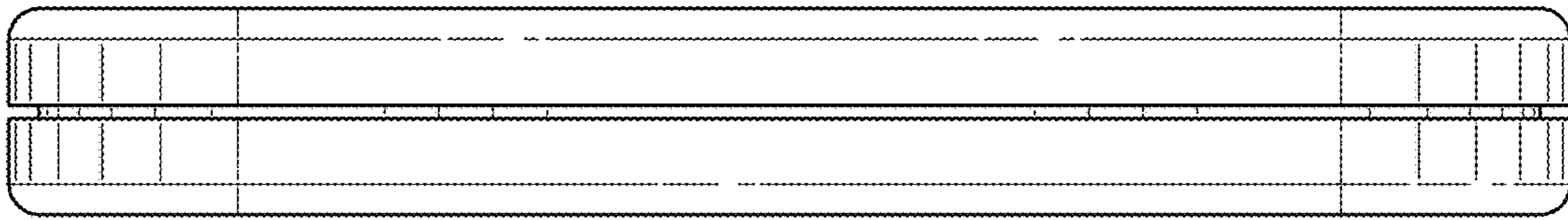


FIG. 5

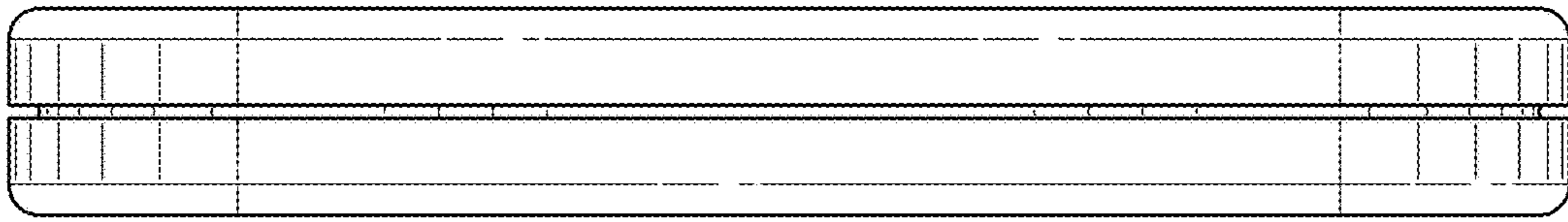


FIG. 6

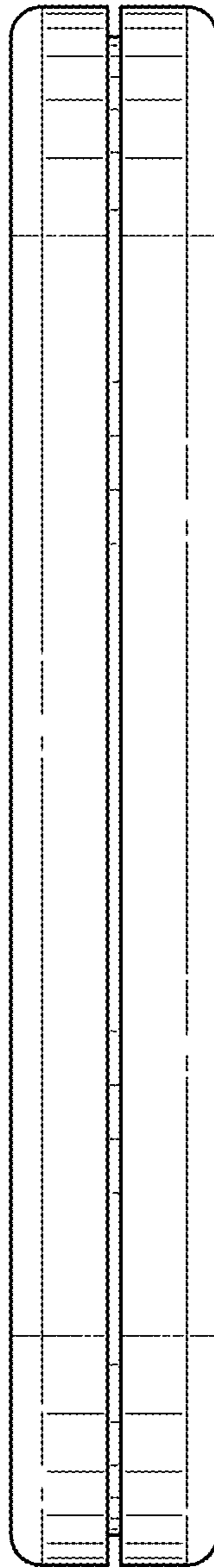


FIG. 7

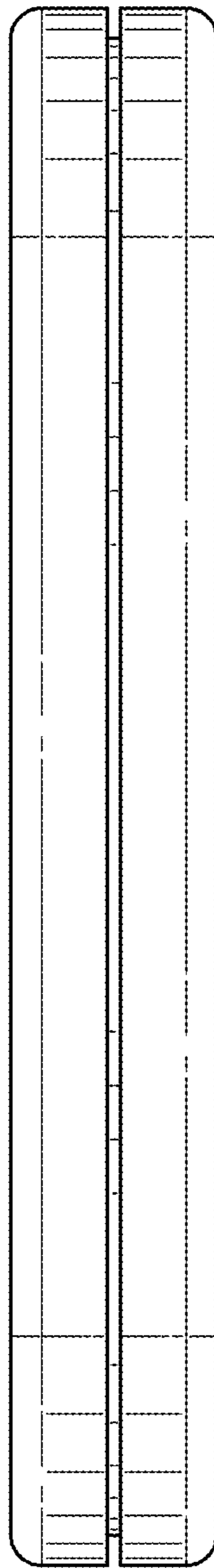


FIG. 8