



US00D790994S

(12) **United States Design Patent**
Nielsen et al.

(10) **Patent No.:** **US D790,994 S**
(45) **Date of Patent:** **** Jul. 4, 2017**

(54) **WRISTBAND WITH FITNESS MONITORING CAPSULE**

(71) Applicant: **Fitbit, Inc.**, San Francisco, CA (US)
(72) Inventors: **Jens Mitchell Nielsen**, San Francisco, CA (US); **Mark Manuel Martinez**, San Francisco, CA (US); **Maxwell W. Davis**, Oakland, CA (US); **Keqing Li**, San Jose, CA (US); **Brad Daniel Brinson**, San Francisco, CA (US); **Gad Amit**, San Mateo, CA (US); **Daniel Joseph Clifton**, San Francisco, CA (US); **Erik Keith Askin**, San Francisco, CA (US); **David Chia-wen Lean**, San Francisco, CA (US)

(73) Assignee: **Fitbit, Inc.**, San Francisco, CA (US)

(**) Term: **15 Years**

(21) Appl. No.: **29/569,701**

(22) Filed: **Jun. 29, 2016**

Related U.S. Application Data

(63) Continuation of application No. 29/541,364, filed on Oct. 2, 2015, now Pat. No. Des. 763,719, which is a (Continued)

(51) **LOC (10) Cl.** **10-04**

(52) **U.S. Cl.**
USPC **D10/70**; D10/39; D10/65; D10/97; D10/98; D14/344; D24/167; D24/168; D24/186

(58) **Field of Classification Search**
USPC D10/30-39, 65, 70, 78, 97, 98; D11/3; D14/344; D24/167, 168, 186

(Continued)

(56) **References Cited**

U.S. PATENT DOCUMENTS

D715,666 S 10/2014 Park et al.
D720,249 S 12/2014 Park et al.

(Continued)

OTHER PUBLICATIONS

U.S. Appl. No. 29/497,740, filed Jul. 28, 2014, Park et al.
(Continued)

Primary Examiner — Antoine D Davis
(74) *Attorney, Agent, or Firm* — Weaver Austin Villeneuve & Sampson LLP

(57) **CLAIM**

We claim the ornamental design for a wristband for a fitness monitoring capsule, as shown and described.

DESCRIPTION

FIG. 1 is a front view of a wristband for a fitness monitoring capsule.

FIG. 2 is a left side view of the wristband of FIG. 1.

FIG. 3 is a rear view of the wristband of FIG. 1.

FIG. 4 is a right side view of the wristband of FIG. 1.

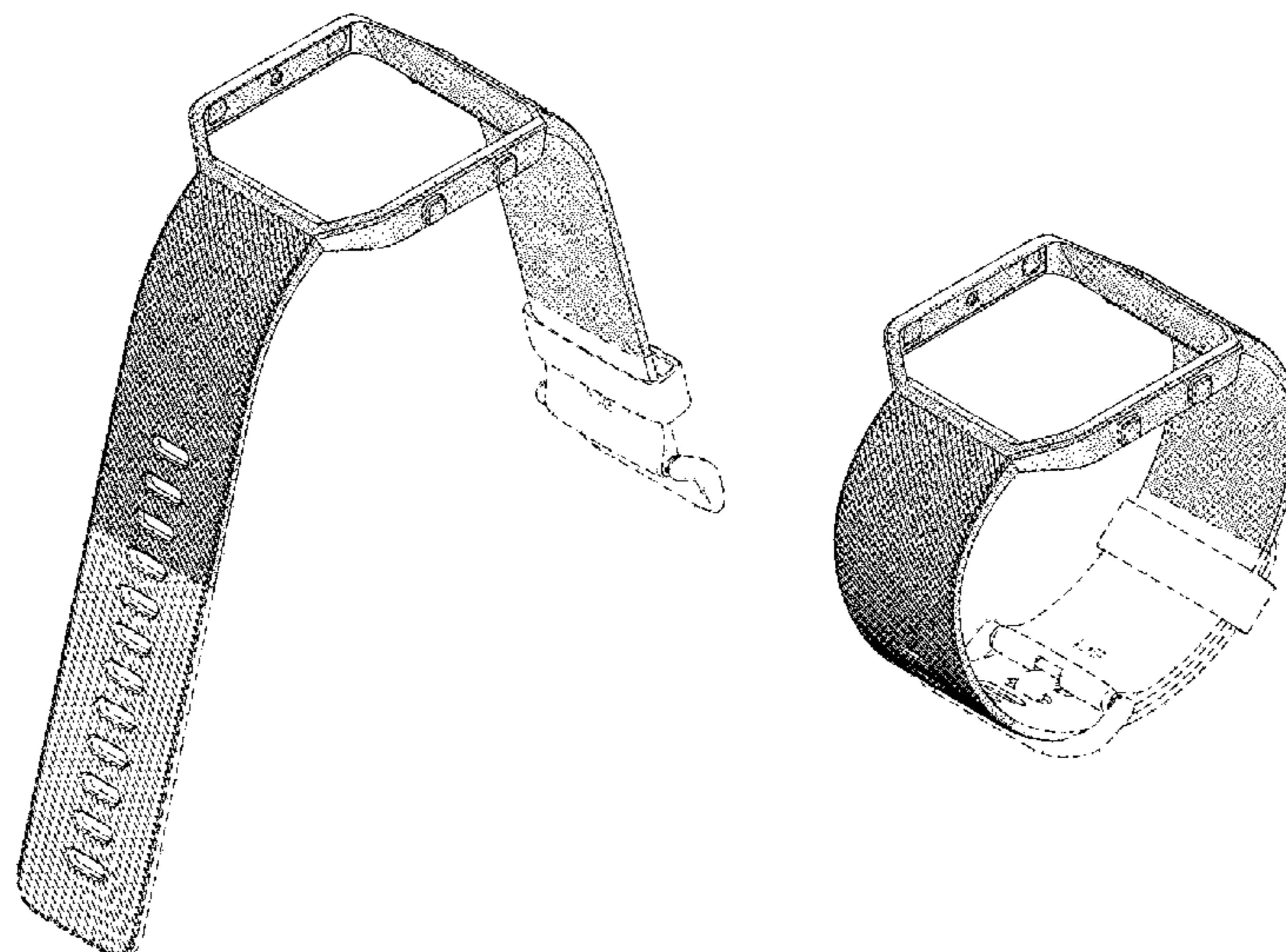
FIG. 5 is a bottom view of the wristband of FIG. 1.

FIG. 6 is a top view of the wristband of FIG. 1.

FIG. 7 is an isometric view of the wristband of FIG. 1; and, FIG. 8 is an isometric view of the wristband of FIG. 1 with the straps of the wristband clasped together to form a loop that may be worn about a person's wrist.

Stipple shading is used in the accompanying Figures to convey surface contouring, not texture. Features depicted using broken lines and a lack of shading indicate environmental structure that is unclaimed in various embodiments. For example, various logos and other text are shown in broken lines and with a lack of shading; in such cases, the unshaded regions around such logos or text are enclosed in a rectangular border that represents the boundary between a claimed portion of the depicted design and the unclaimed portion of the depicted design.

1 Claim, 4 Drawing Sheets



Related U.S. Application Data

continuation of application No. 29/537,616, filed on Aug. 27, 2015.

(58) **Field of Classification Search**

CPC G04B 19/00–19/34; G04B 21/12; G04B 23/12; G04B 37/00–37/228; G04B 47/00–47/068; G01C 17/00; G01C 21/00–21/3697; G01C 22/00–22/025; G01C 23/00; G06F 19/3481; G06F 3/00–3/027

See application file for complete search history.

(56) **References Cited**

U.S. PATENT DOCUMENTS

D720,635 S 1/2015 Park et al.
D727,183 S 4/2015 Park et al.
D727,759 S 4/2015 Martinez et al.
9,391,307 B2* 7/2016 Ishibashi H01M 2/1066
D763,719 S 8/2016 Nielsen et al.
9,508,241 B2* 11/2016 DePascale G08B 21/0269

OTHER PUBLICATIONS

U.S. Appl. No. 29/500,837, filed Aug. 28, 2014, Martinez et al.
U.S. Appl. No. 29/520,607, filed Mar. 16, 2015, Ling et al.
U.S. Appl. No. 29/521,264, filed Mar. 20, 2015, Ling et al.
U.S. Appl. No. 29/524,019, filed Apr. 15, 2015, Ling et al.
U.S. Appl. No. 29/524,025, filed Apr. 15, 2015, Ling et al.
U.S. Appl. No. 29/524,027, filed Apr. 15, 2015, Ling et al.
U.S. Appl. No. 29/524,028, filed Apr. 15, 2015, Ling et al.
U.S. Appl. No. 29/541,368, filed Oct. 2, 2015, Nielsen et al.
U.S. Appl. No. 29/553,921, filed Feb. 5, 2016, Nielsen et al.

* cited by examiner

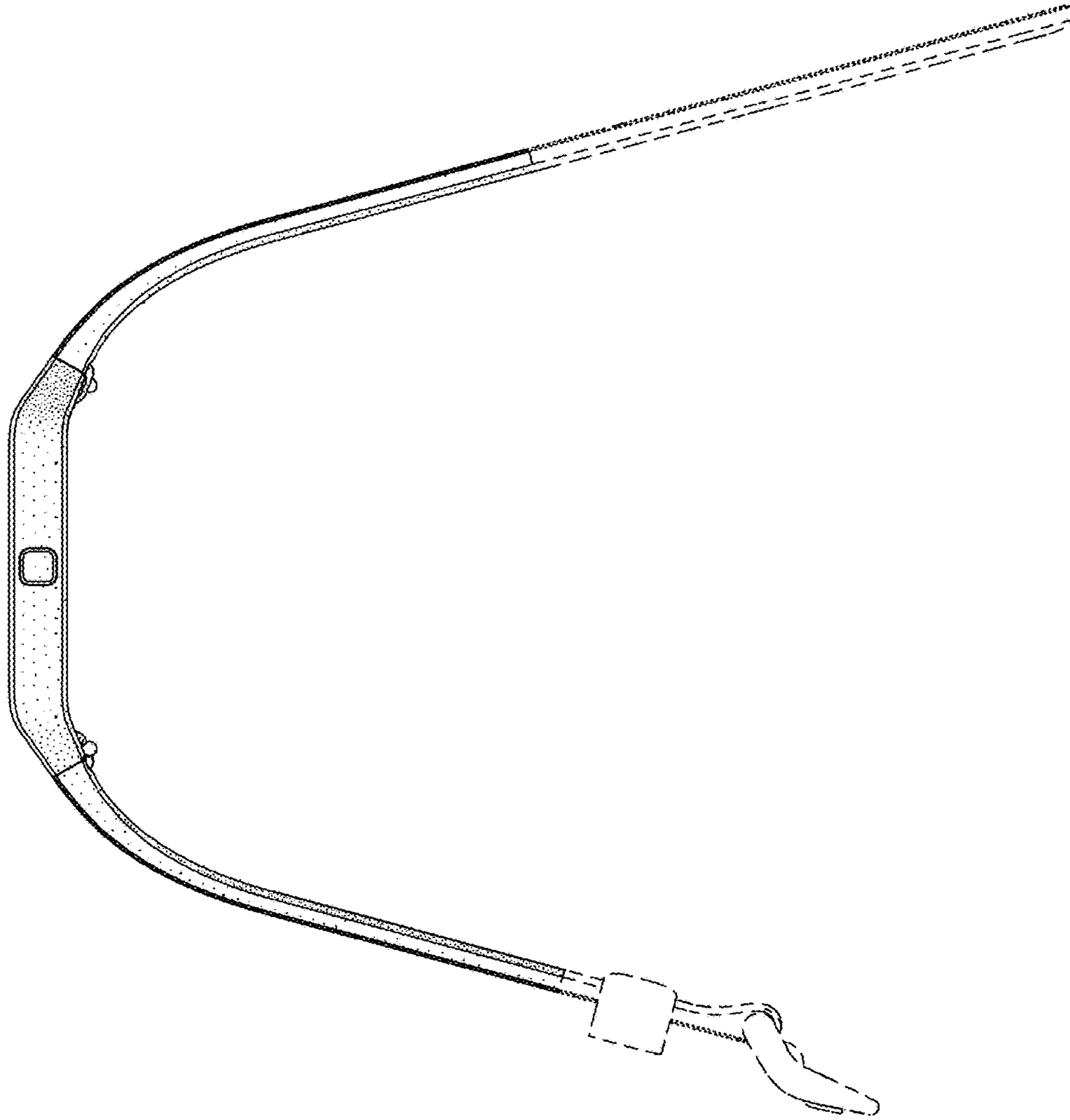


Figure 2

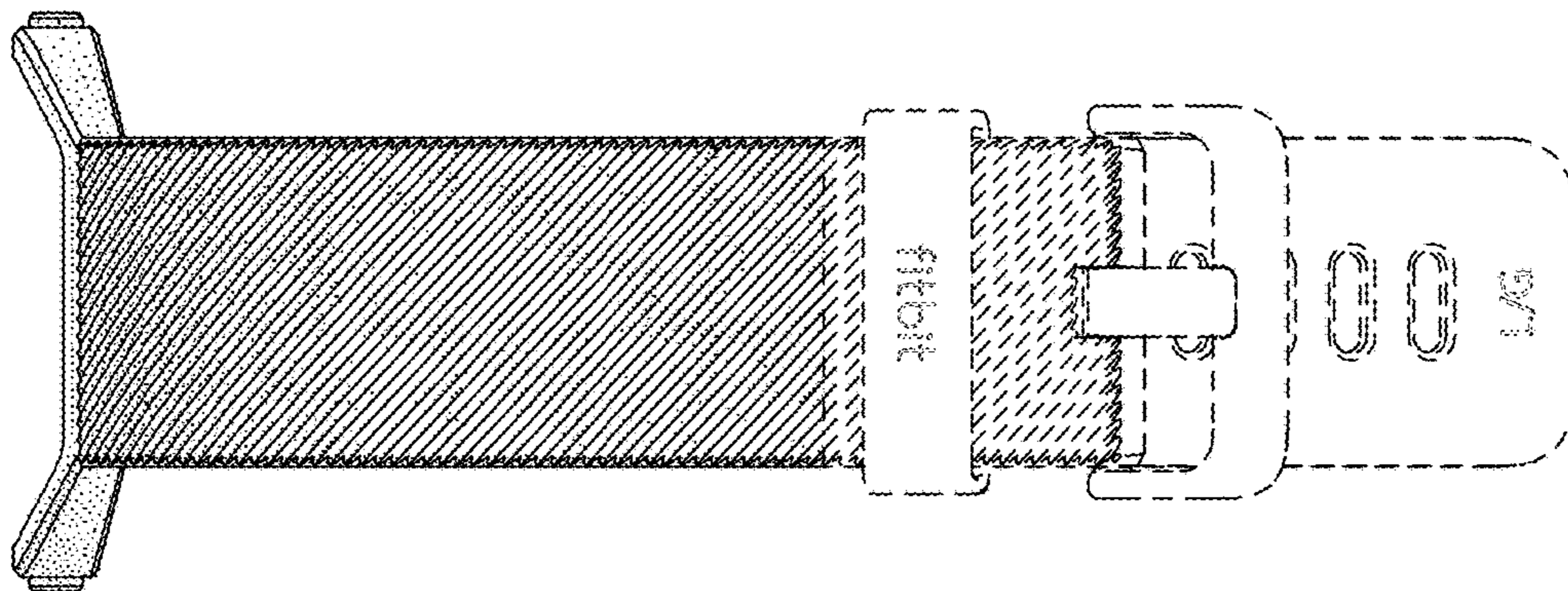


Figure 1

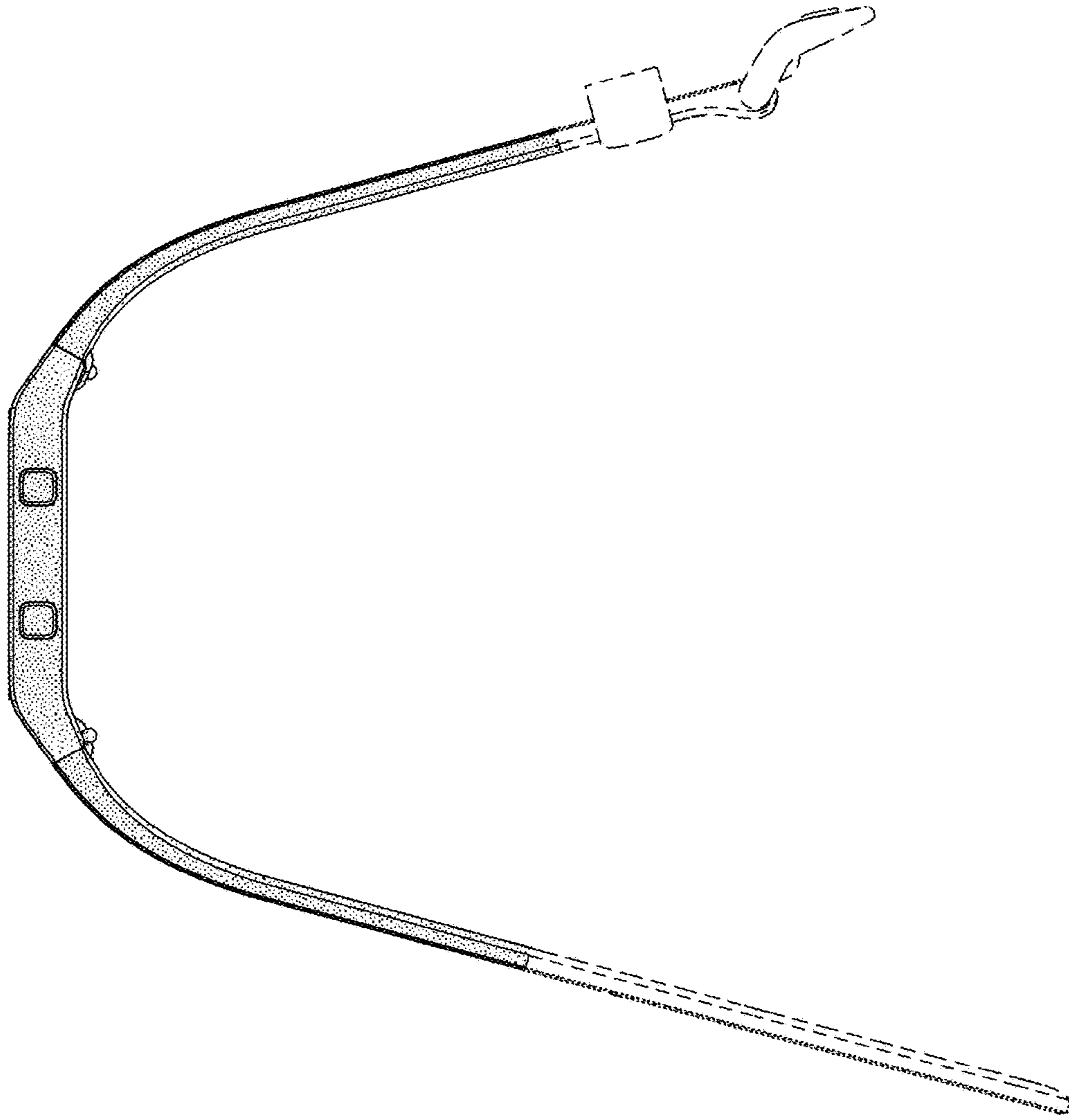


Figure 4

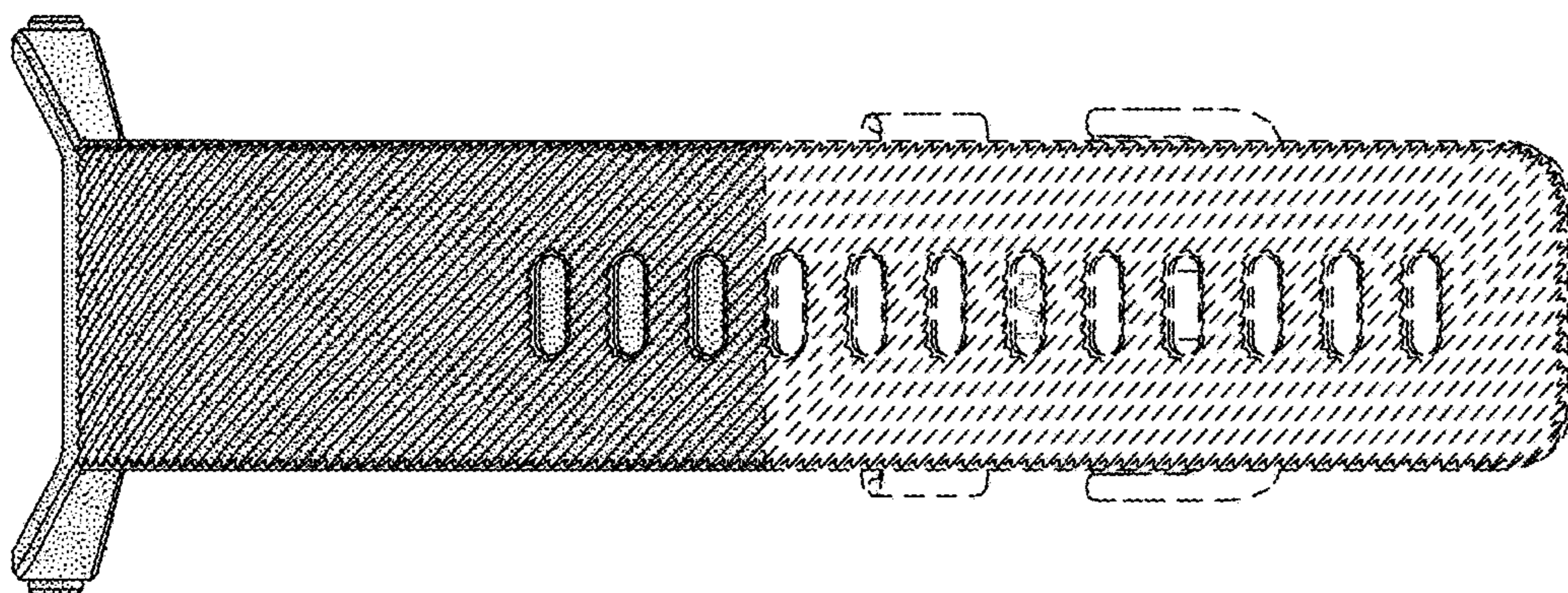


Figure 3

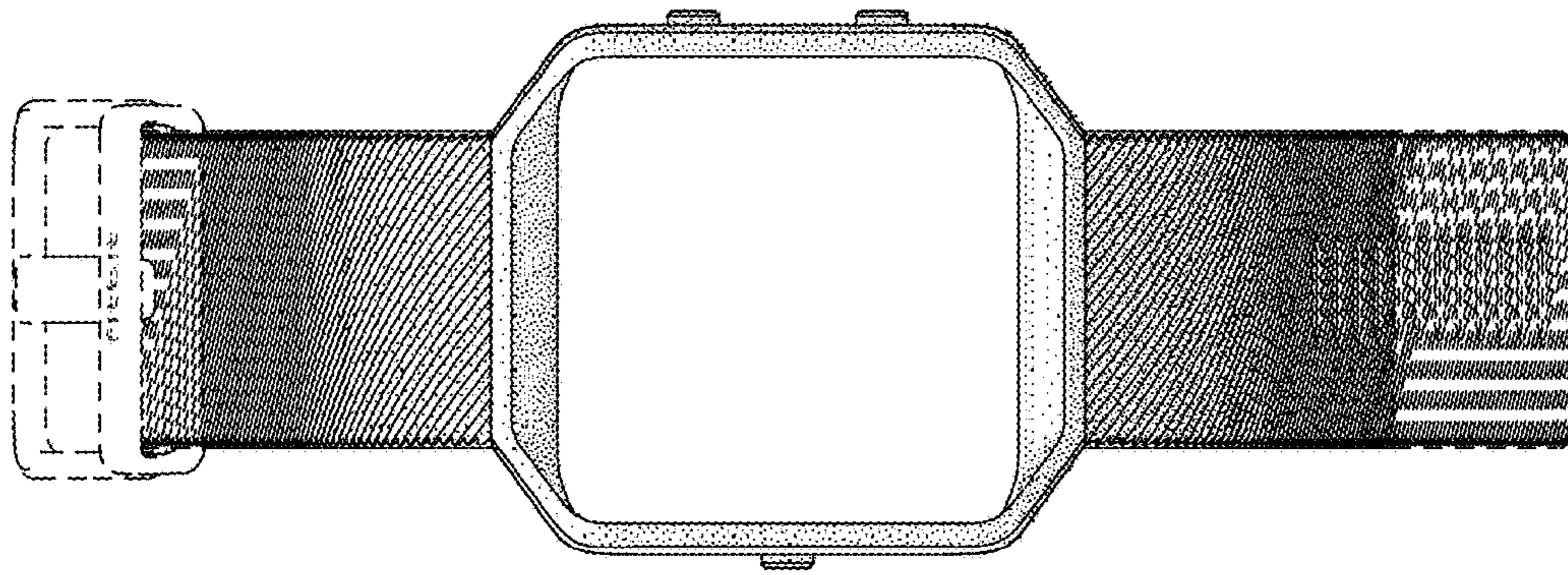


Figure 6

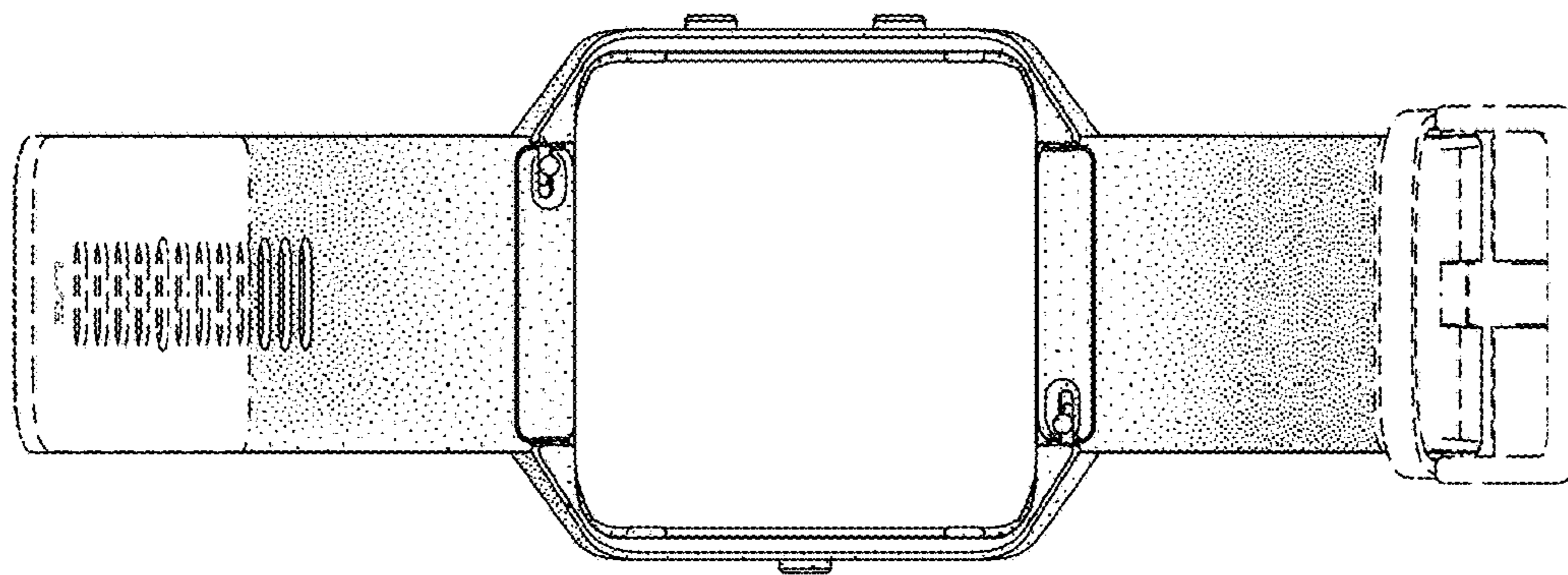


Figure 5

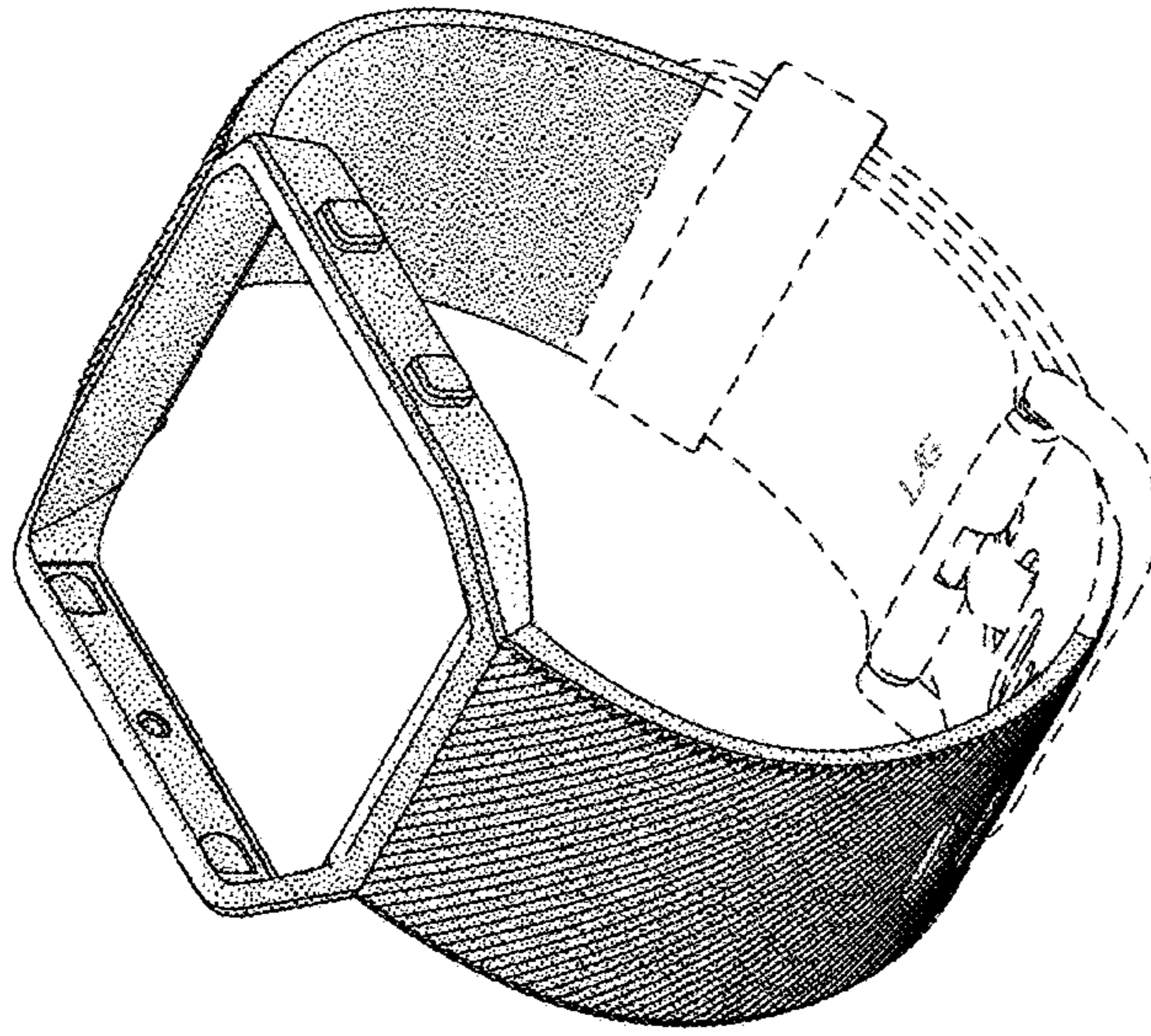


Figure 8

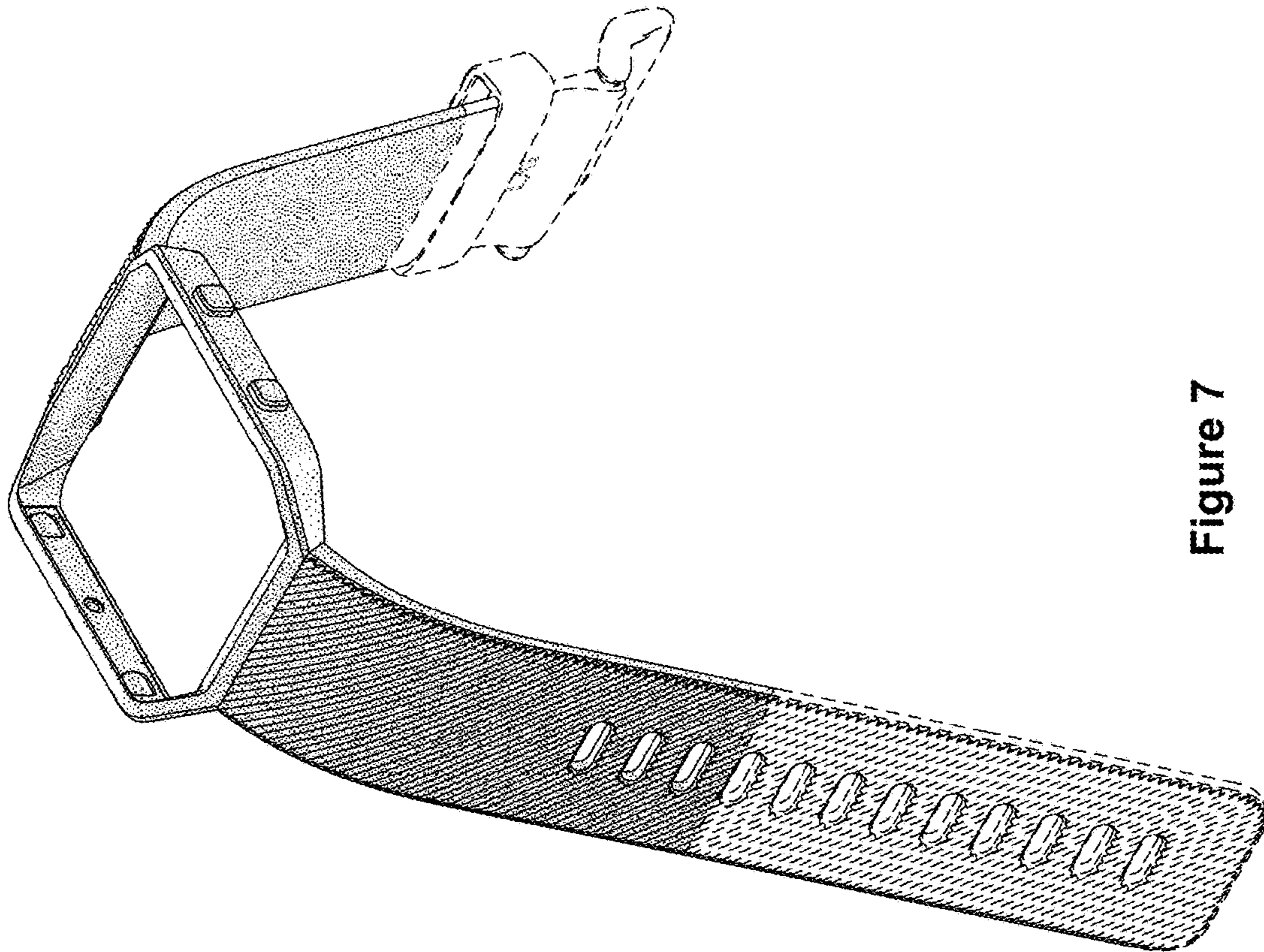


Figure 7