



US00D790993S

(12) **United States Design Patent** (10) **Patent No.:** **US D790,993 S**
Rose (45) **Date of Patent:** **** Jul. 4, 2017**

(54) **DOOR LATCH JIG**

(71) Applicant: **Andrew Scott Rose**, San Tan Valley, AZ (US)

(72) Inventor: **Andrew Scott Rose**, San Tan Valley, AZ (US)

(**) Term: **15 Years**

(21) Appl. No.: **29/552,949**

(22) Filed: **Jan. 27, 2016**

(51) **LOC (10) Cl.** **10-04**

(52) **U.S. Cl.**
USPC **D10/64**

(58) **Field of Classification Search**
USPC D10/64
CPC B23B 47/287; B23B 2247/06; E05B 17/06
See application file for complete search history.

(56) **References Cited**

U.S. PATENT DOCUMENTS

1,849,961 A * 3/1932 Snelling E05B 17/06
33/197
D356,271 S * 3/1995 Adamik D10/62
7,003,889 B1 * 2/2006 Luciani E05B 17/06
33/194

D571,233 S * 6/2008 Rys, Jr. D10/64
2007/0227016 A1 * 10/2007 Tarter B23B 47/287
33/194
2012/0017452 A1 * 1/2012 Lam B23B 47/287
33/194

* cited by examiner

Primary Examiner — Antoine D Davis

(74) *Attorney, Agent, or Firm* — Dunlap Bennett & Ludwig PLLC

(57) **CLAIM**

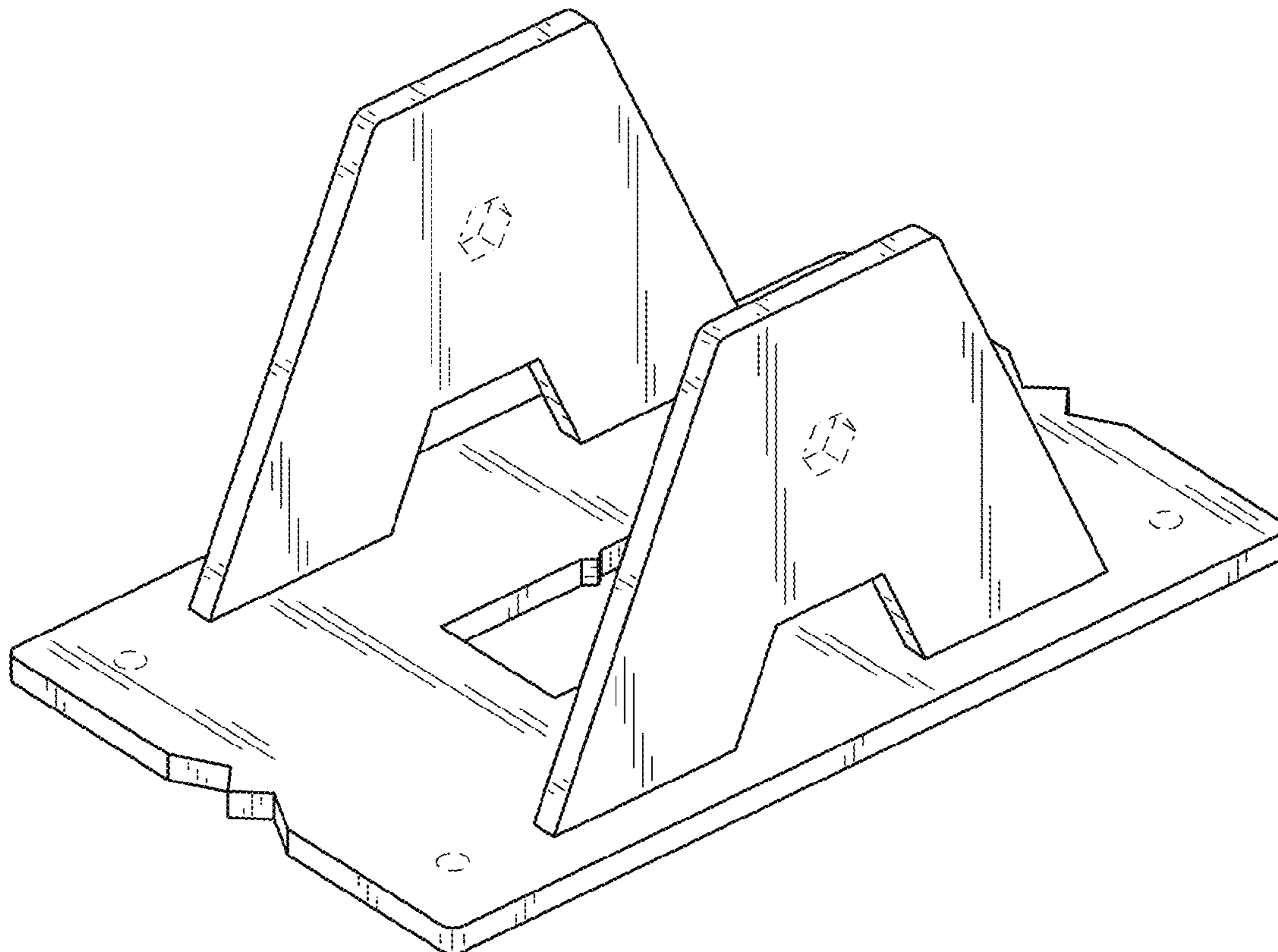
The ornamental design for a door latch jig, as shown and described.

DESCRIPTION

FIG. 1 is a front perspective view of a door latch jig; FIG. 2 is a front elevation view thereof; the rear elevation view being a mirror image thereof; FIG. 3 is a left side elevation view thereof, the right side elevation view being a mirror image thereof; FIG. 4 is a top plan view thereof; FIG. 5 is a bottom plan view thereof; and, FIG. 6 is a front perspective view of the door latch jig, shown in use.

The broken lines in FIG. 6 depict environmental subject matter that forms no part of the claimed design, while the remaining broken lines shown in the FIGS. 1 through 5-depict portions of the door latch jig that form no part of the claimed design.

1 Claim, 4 Drawing Sheets



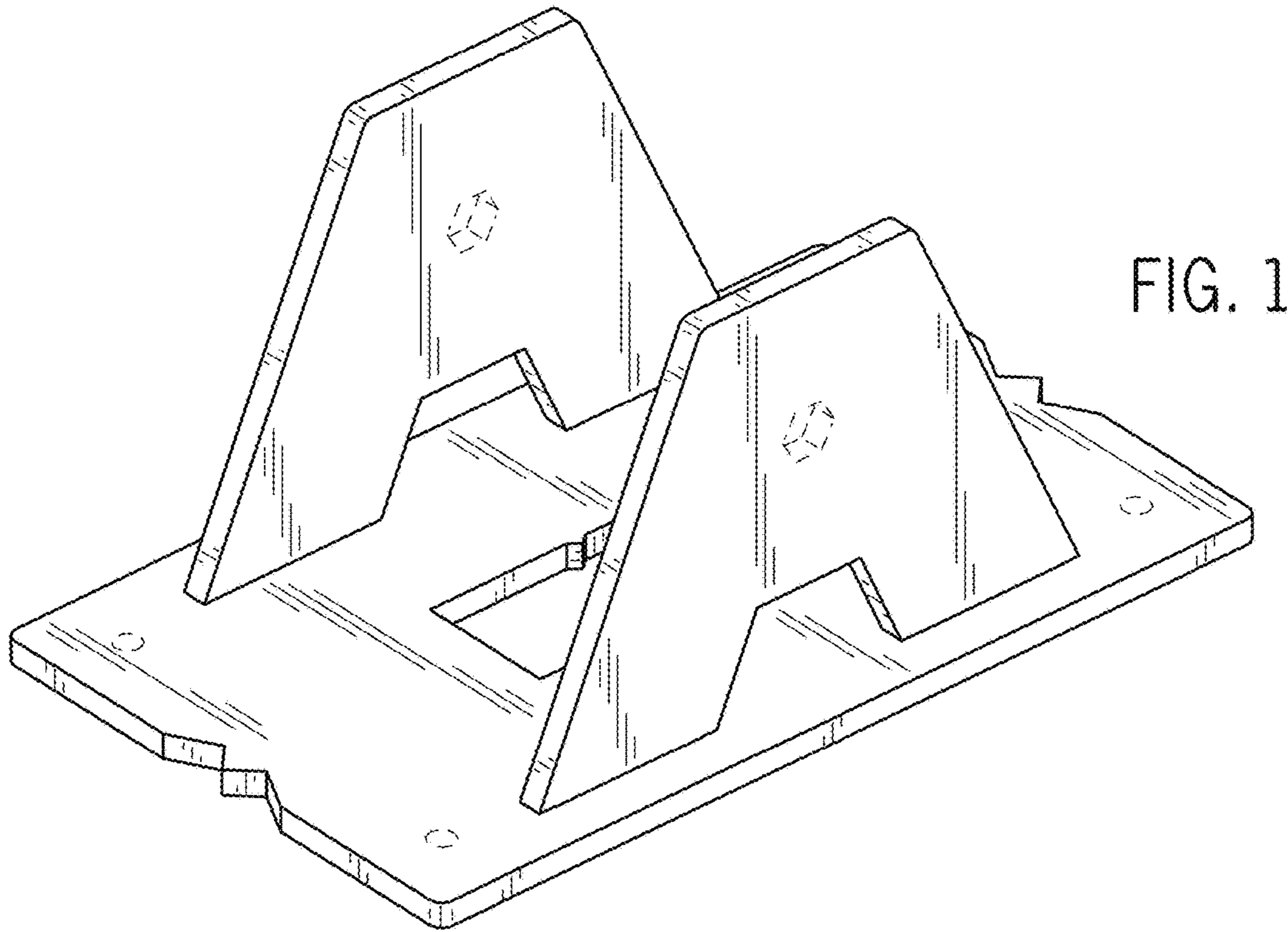


FIG. 1

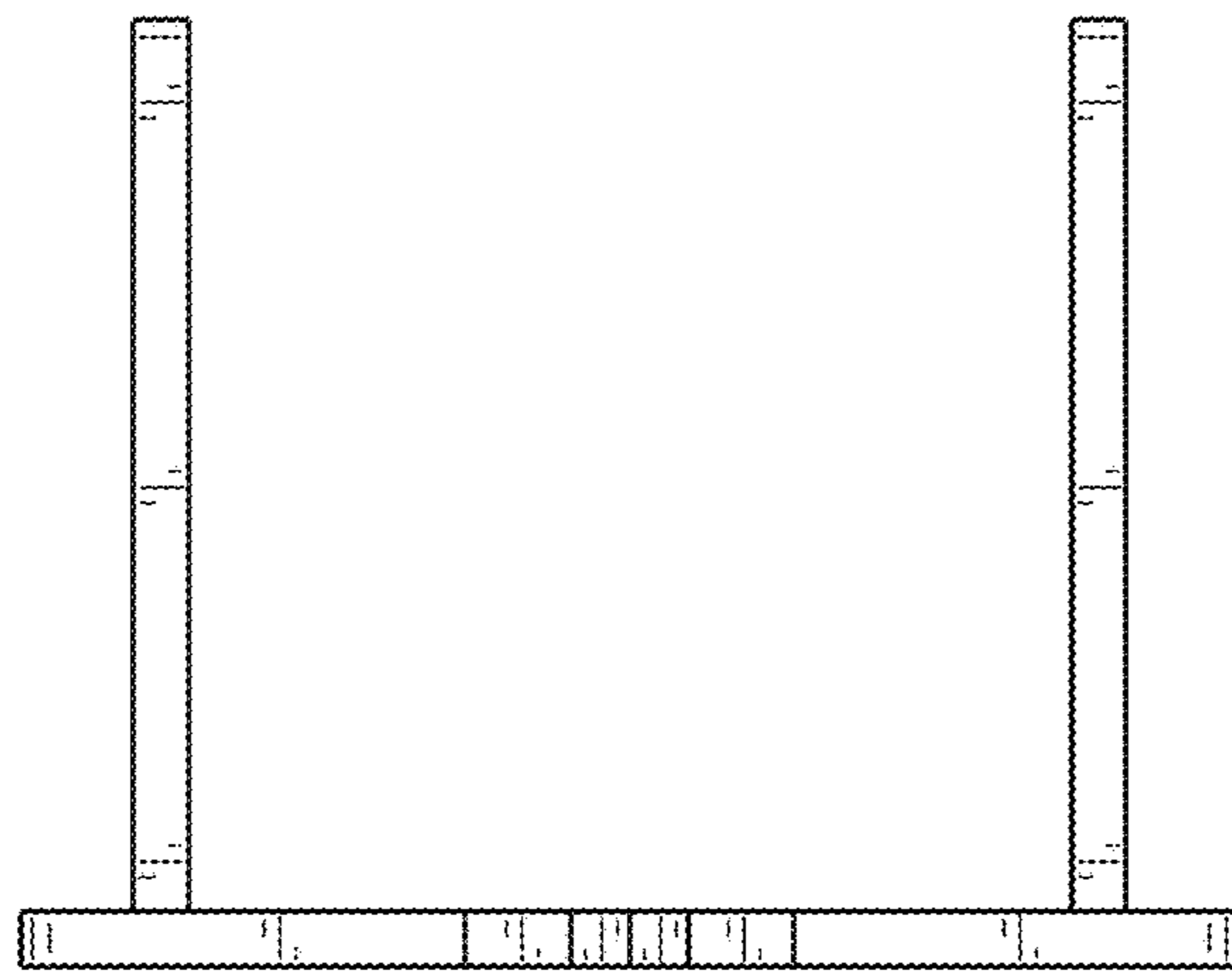


FIG. 2

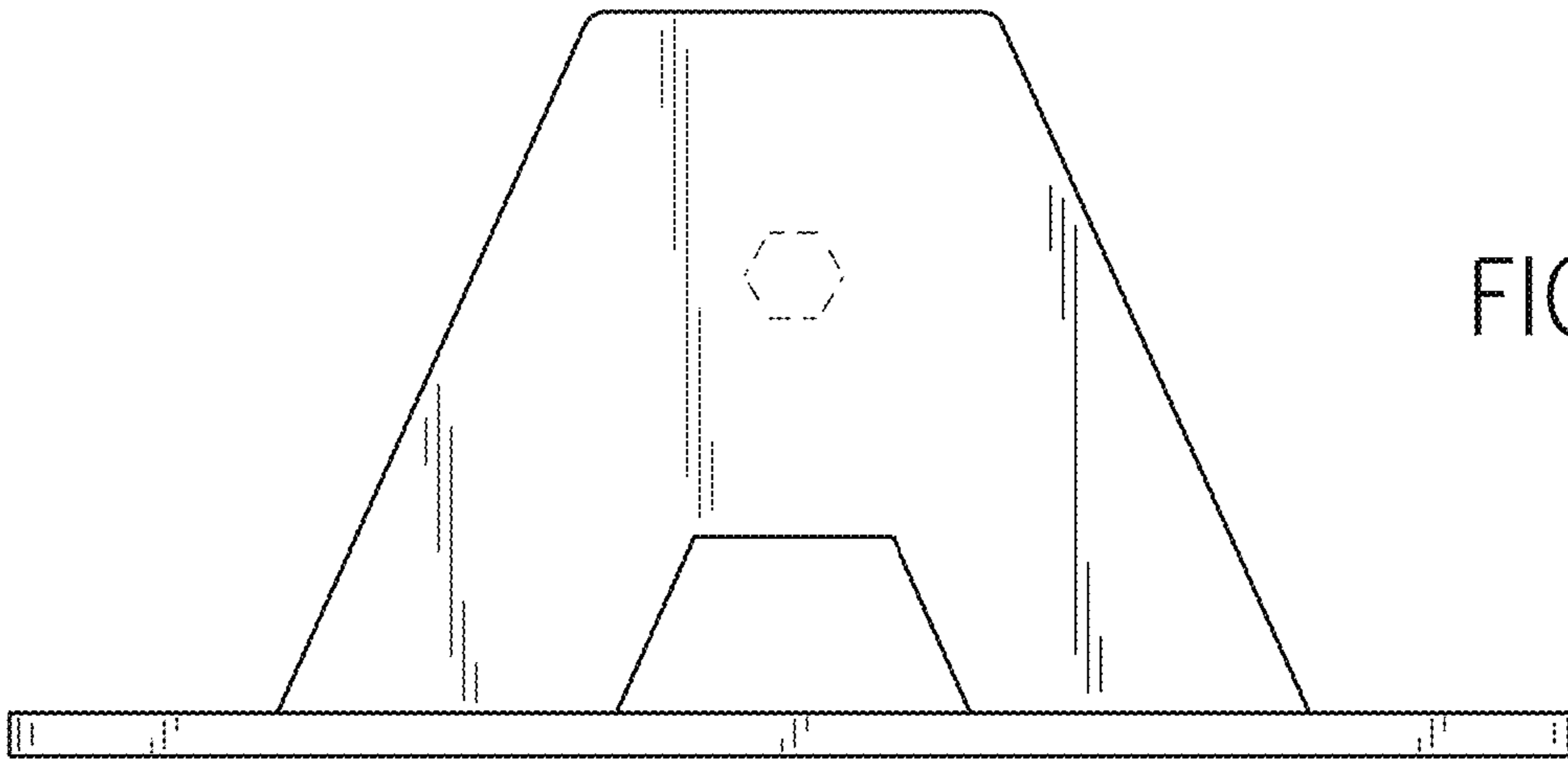


FIG. 3

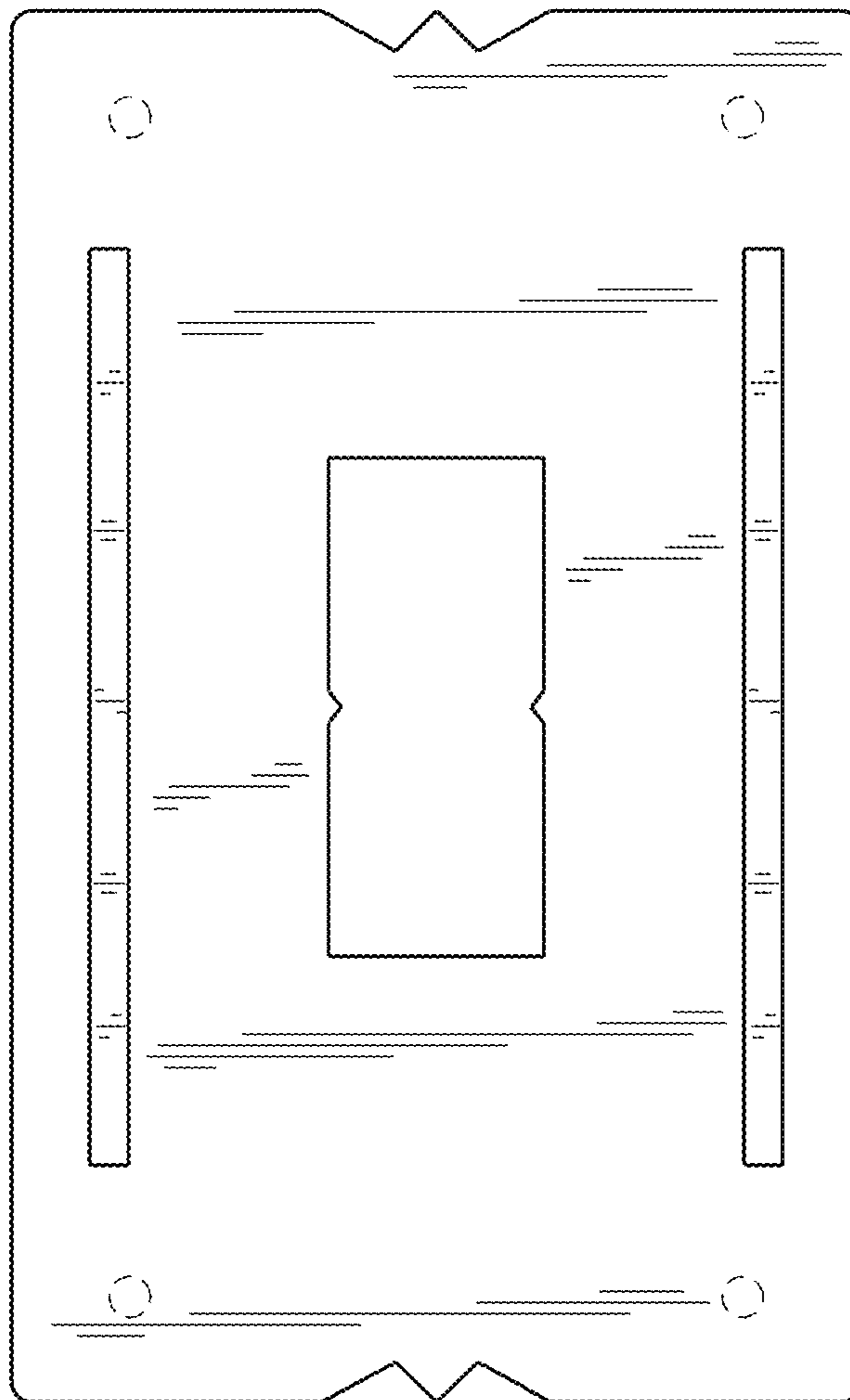


FIG. 4

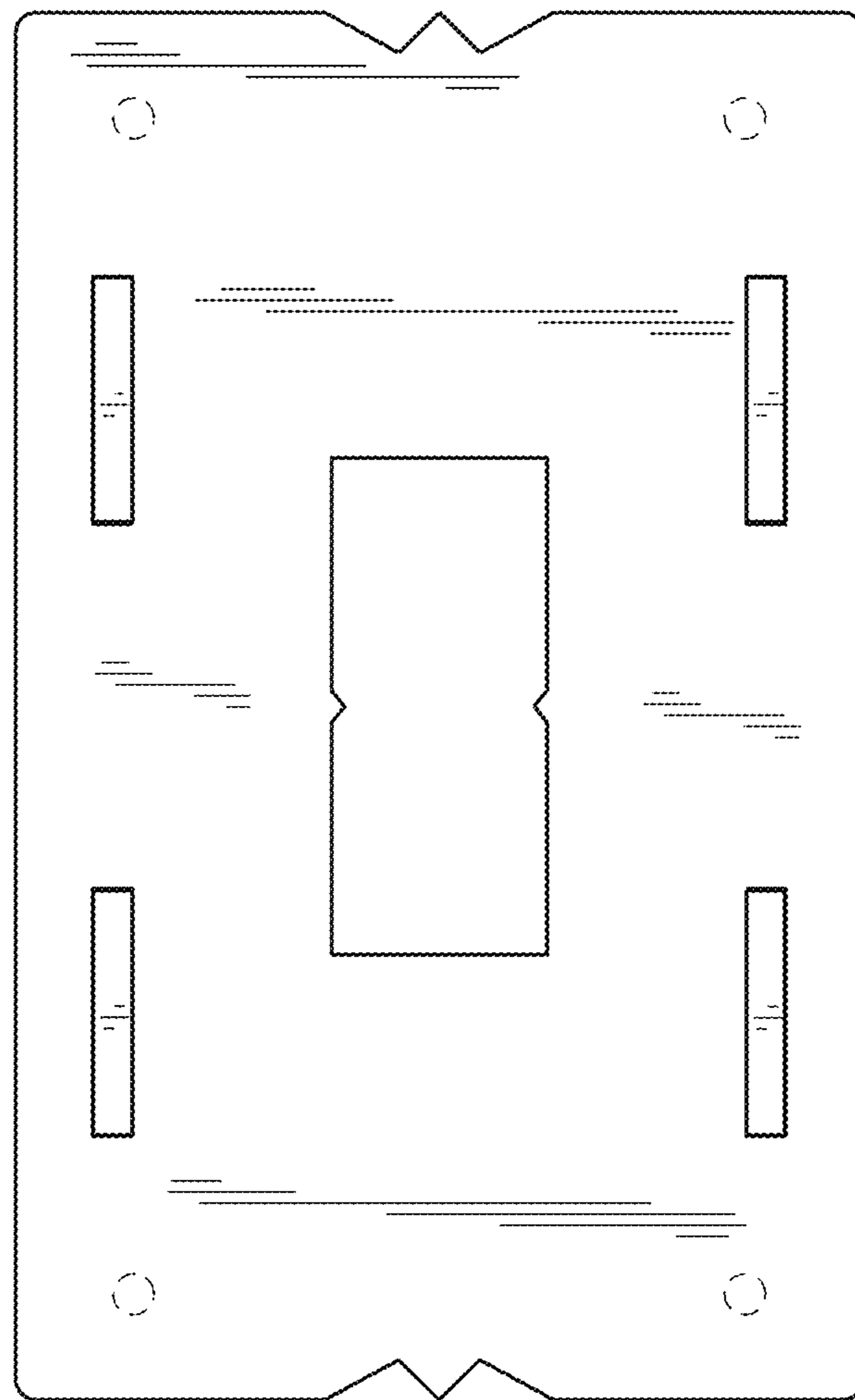


FIG. 5

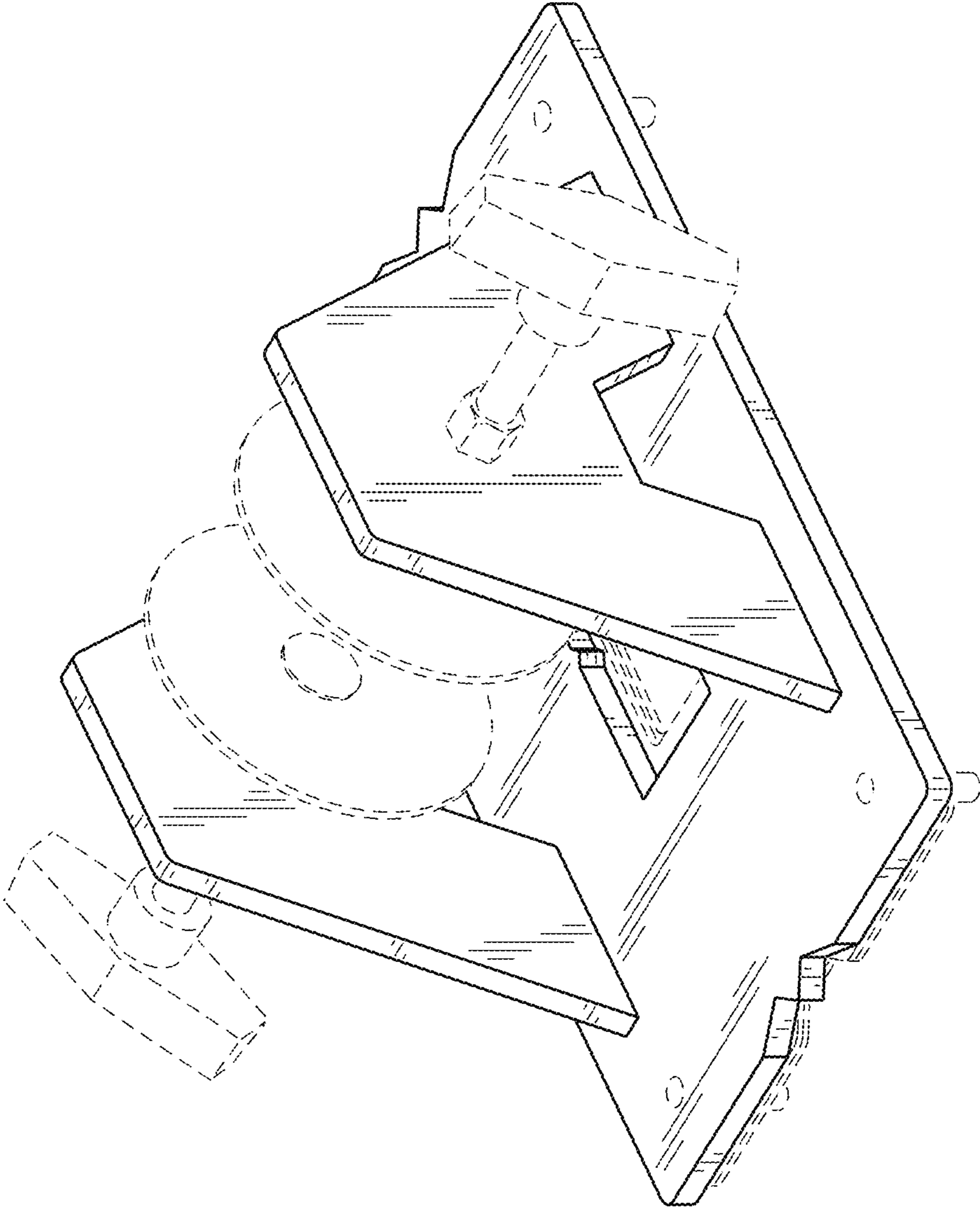


FIG. 6