



US00D790991S

(12) **United States Design Patent**  
**Mille**

(10) **Patent No.:** **US D790,991 S**

(45) **Date of Patent:** **\*\* Jul. 4, 2017**

(54) **WATCH**

(71) Applicant: **Turlen Holding SA**, Les Breuleux (CH)

(72) Inventor: **Richard Mille**, Moulins (FR)

(73) Assignee: **TURLEN HOLDING SA**, Les Breuleux (CH)

(\*\*) Term: **15 Years**

(21) Appl. No.: **29/563,020**

(22) Filed: **May 2, 2016**

(30) **Foreign Application Priority Data**

Dec. 21, 2015 (WO) ..... DM/088762

(51) **LOC (10) Cl.** ..... **10-02**

(52) **U.S. Cl.**  
USPC ..... **D10/39; D10/30**

(58) **Field of Classification Search**  
USPC ..... D10/1-29, 30-39, 122-132  
CPC ..... G04C 17/00; G04C 3/061; G04C 3/102;  
G04C 13/10; G04B 15/06; G04B 15/08;  
G04B 15/14; G04B 17/08; G04B 17/063;  
G04B 18/023; G04B 19/00; G04B 19/04;  
G04B 19/06; G04B 19/065; G04B 19/10;  
G04B 19/12; G04B 19/26; G04B 19/268;  
G04B 19/30; G04B 37/0058; G04B  
37/0066; G04B 37/0008; G04B 37/081;  
G04B 37/082; G04B 37/18; G04B 37/22;  
G04B 47/042; A44C 5/14  
See application file for complete search history.

(56) **References Cited**

**U.S. PATENT DOCUMENTS**

D108,738 S \* 3/1938 Merz ..... D10/38  
D438,473 S \* 3/2001 Dumas ..... D10/39  
D456,274 S \* 4/2002 Mille ..... D10/30  
D505,086 S \* 5/2005 Fernandez ..... D10/39

D510,707 S \* 10/2005 Cheng ..... D10/30  
7,016,265 B2 \* 3/2006 Born ..... G04C 3/066  
368/162  
7,085,199 B2 \* 8/2006 Lang ..... G04B 19/02  
368/220  
D570,710 S \* 6/2008 Wong ..... D10/30  
D616,312 S \* 5/2010 Ellia ..... D10/39  
D623,542 S \* 9/2010 Fontana ..... D10/39  
7,794,137 B2 \* 9/2010 Golay ..... G04B 17/285  
368/127  
D624,834 S \* 10/2010 Modolo ..... D10/39  
D627,242 S \* 11/2010 Jeanneret ..... D10/39  
8,038,340 B2 \* 10/2011 Schneider ..... G04B 15/10  
368/124

(Continued)

**FOREIGN PATENT DOCUMENTS**

FR 2009392 A1 \* 12/2008 ..... G01C 17/34  
JP WO 8603604 A1 \* 6/1986 ..... G04B 19/262

*Primary Examiner* — Sheryl Lane

*Assistant Examiner* — Samantha Wood

(74) *Attorney, Agent, or Firm* — Donald J. Ranft; Collen IP

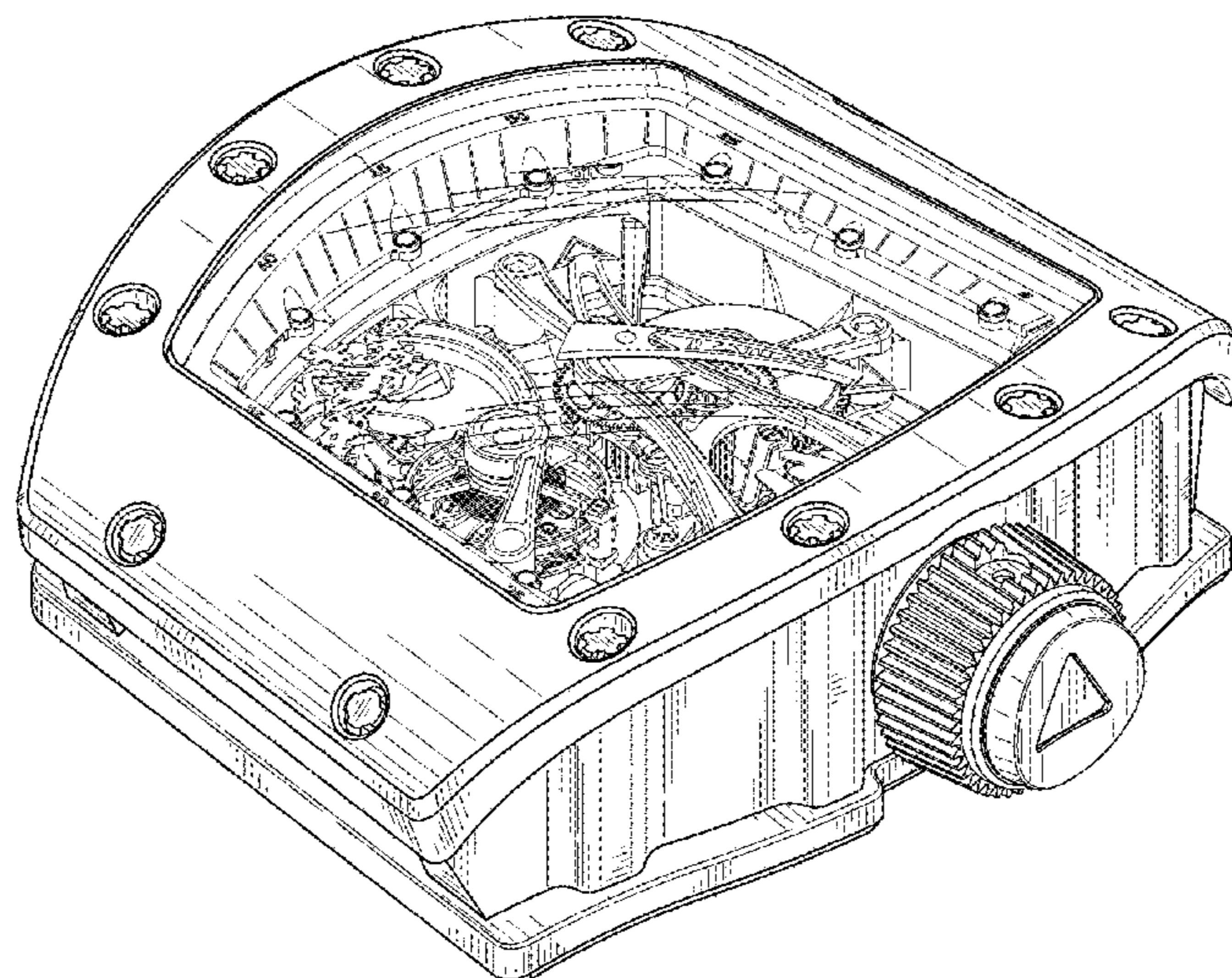
(57) **CLAIM**

The ornamental design for a watch, as shown.

**DESCRIPTION**

FIG. 1 is a front right perspective view of a watch showing my new design;  
FIG. 2 is a rear left perspective view thereof;  
FIG. 3 is a front view thereof;  
FIG. 4 is a rear view thereof;  
FIG. 5 is a left side view thereof;  
FIG. 6 is a right side view thereof;  
FIG. 7 is a top view thereof;  
FIG. 8 is a bottom view thereof;  
FIG. 9 is a front left perspective view thereof; and,  
FIG. 10 is a rear right perspective view thereof.

**1 Claim, 8 Drawing Sheets**



(56)

**References Cited**

U.S. PATENT DOCUMENTS

D658,514	S	*	5/2012	Mille	.....	D10/39
D658,515	S	*	5/2012	Mille	.....	D10/39
D658,516	S	*	5/2012	Mille	.....	D10/39
D664,047	S	*	7/2012	Mille	.....	D10/39
D691,902	S	*	10/2013	Mille	.....	D10/39
D692,778	S	*	11/2013	Duport	.....	D10/39
D693,245	S	*	11/2013	Mille	.....	D10/39
D705,087	S	*	5/2014	Monachon	.....	D10/31
D708,075	S	*	7/2014	Mille	.....	D10/39
D708,077	S	*	7/2014	Mille	.....	D10/31
D710,714	S	*	8/2014	Monachon	.....	D10/39
D710,729	S	*	8/2014	Delhotal	.....	D10/124
D714,164	S	*	9/2014	Vuilleumier	.....	D10/30
D714,662	S	*	10/2014	Mille	.....	D10/39
D723,945	S	*	3/2015	Le Bot	.....	D10/30
D736,653	S	*	8/2015	Mille	.....	D10/39
D737,693	S	*	9/2015	Mille	.....	D10/39
2012/0257480	A1	*	10/2012	Girardbille	.....	G04F 7/088 368/80

\* cited by examiner

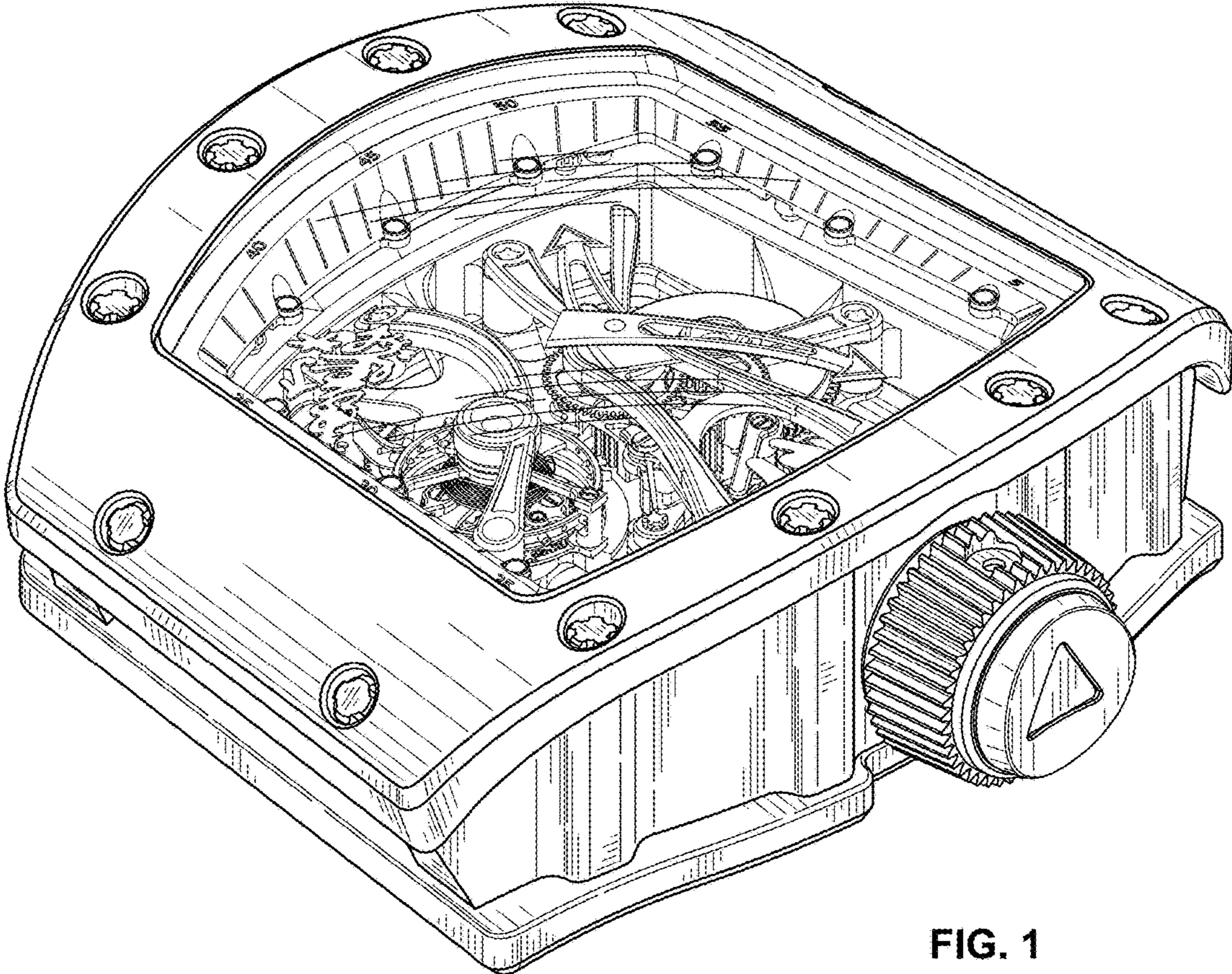


FIG. 1

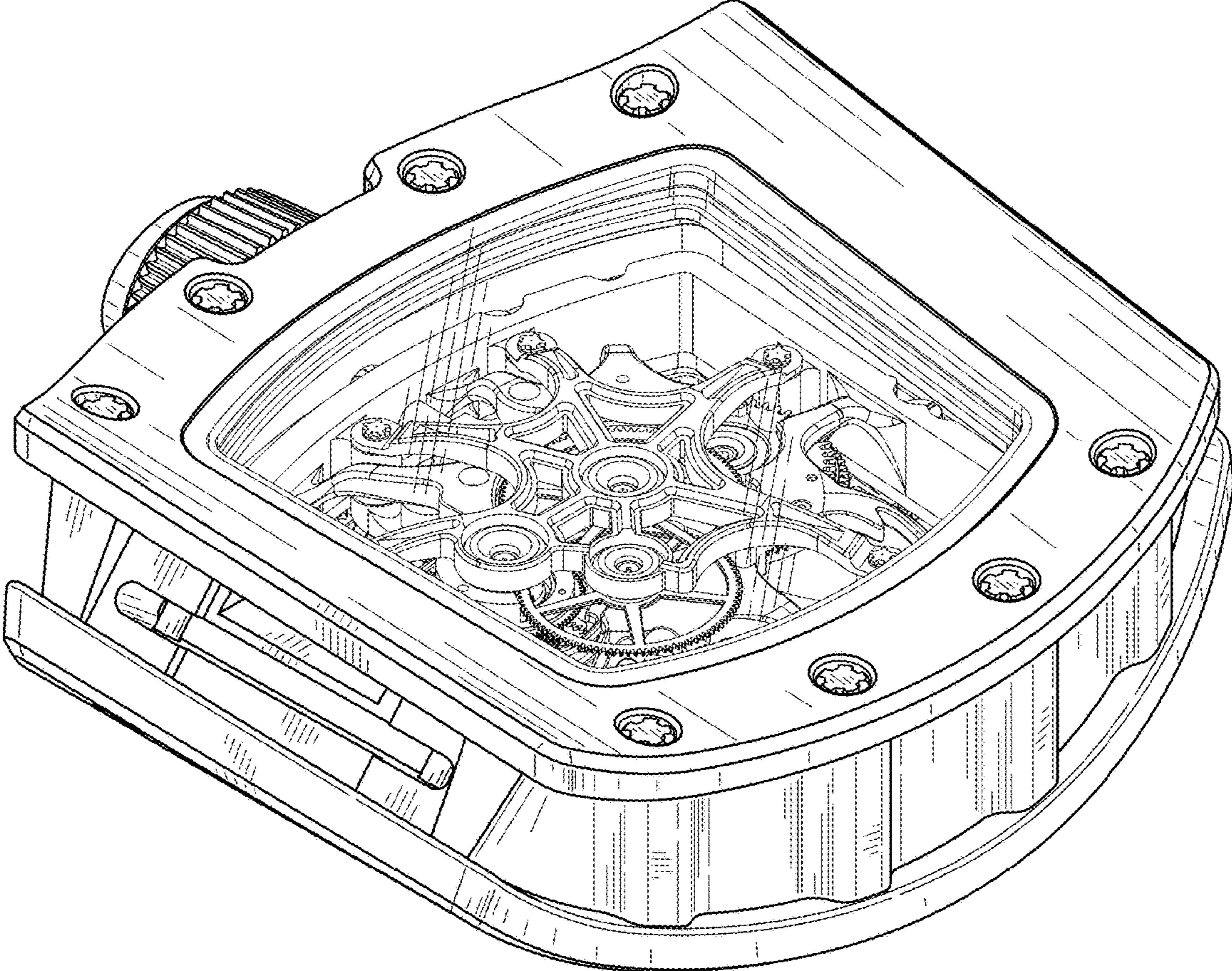


FIG. 2



FIG. 3



FIG. 4

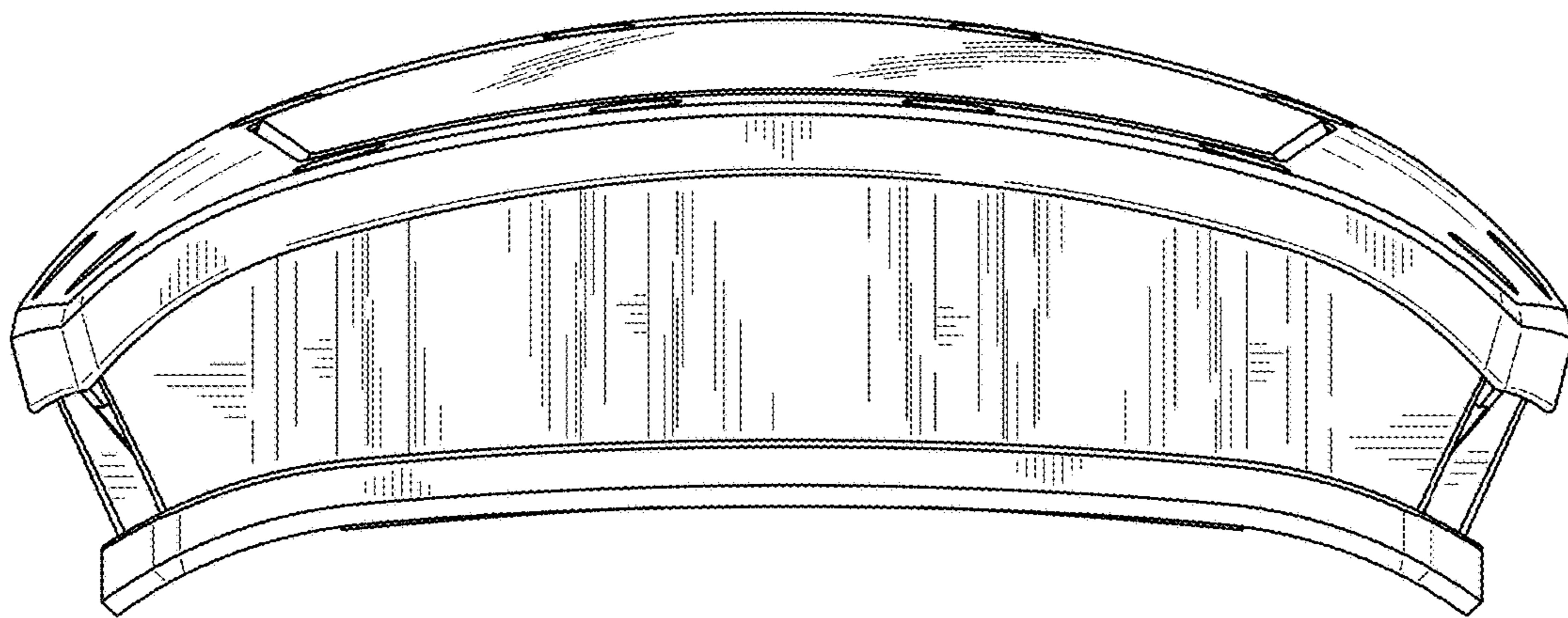


FIG. 5

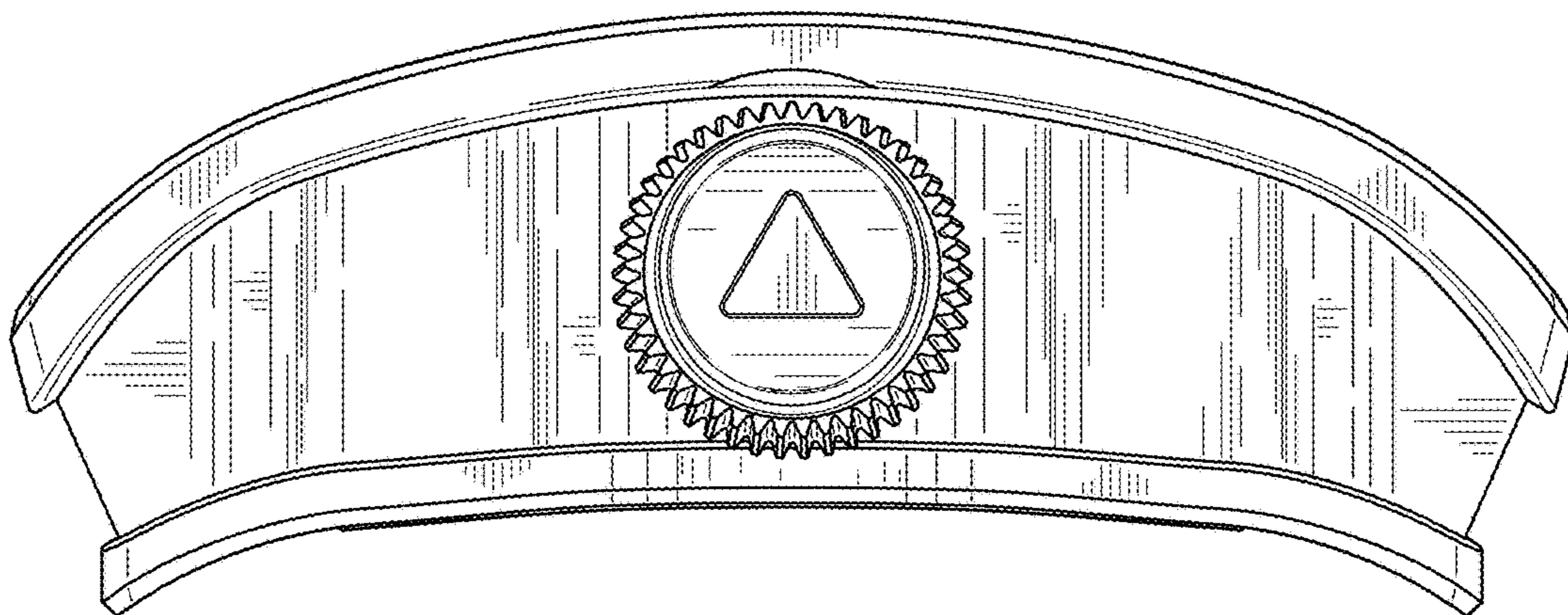


FIG. 6

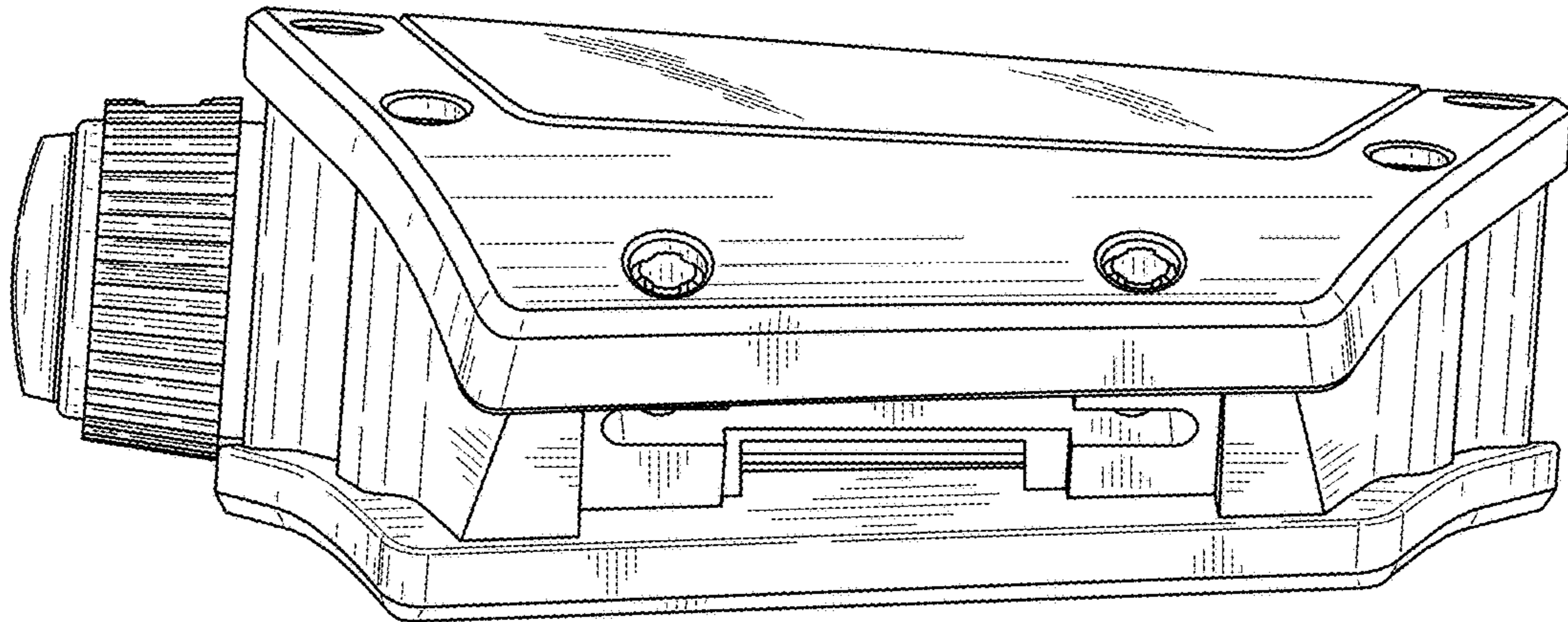


FIG. 7

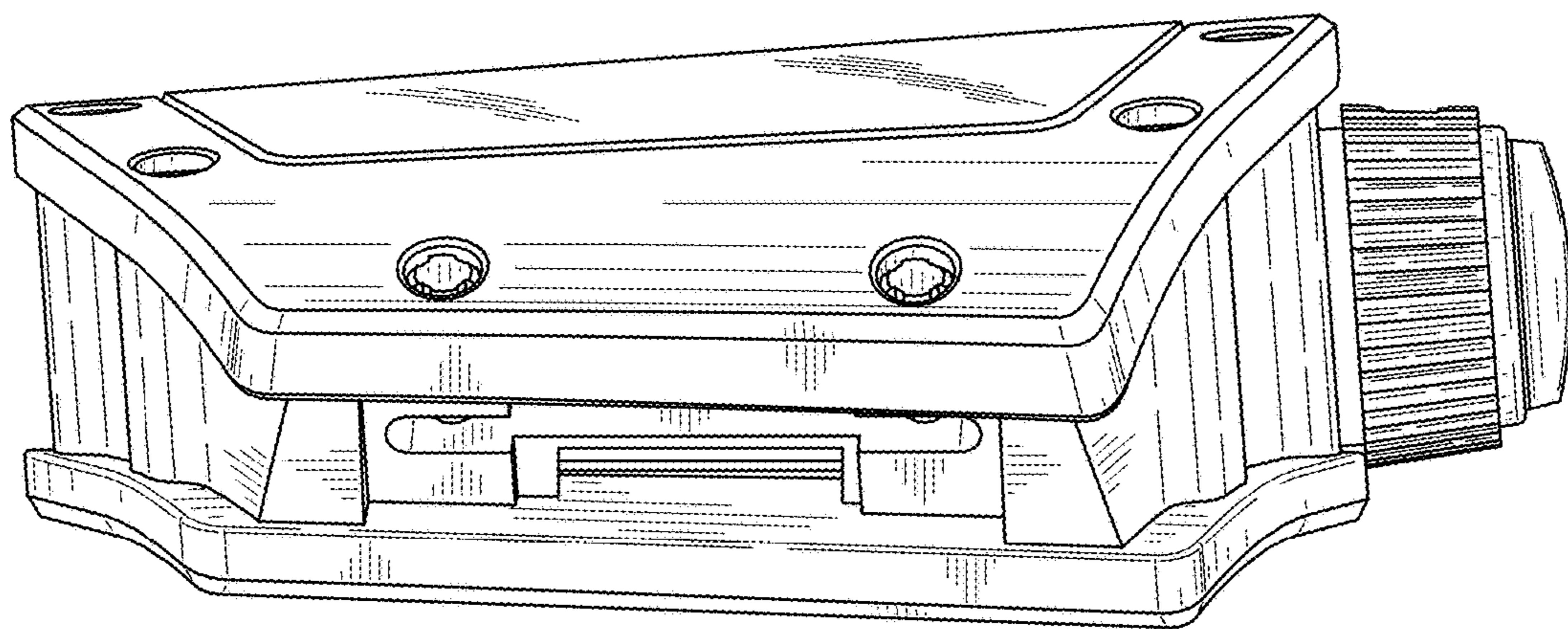


FIG. 8



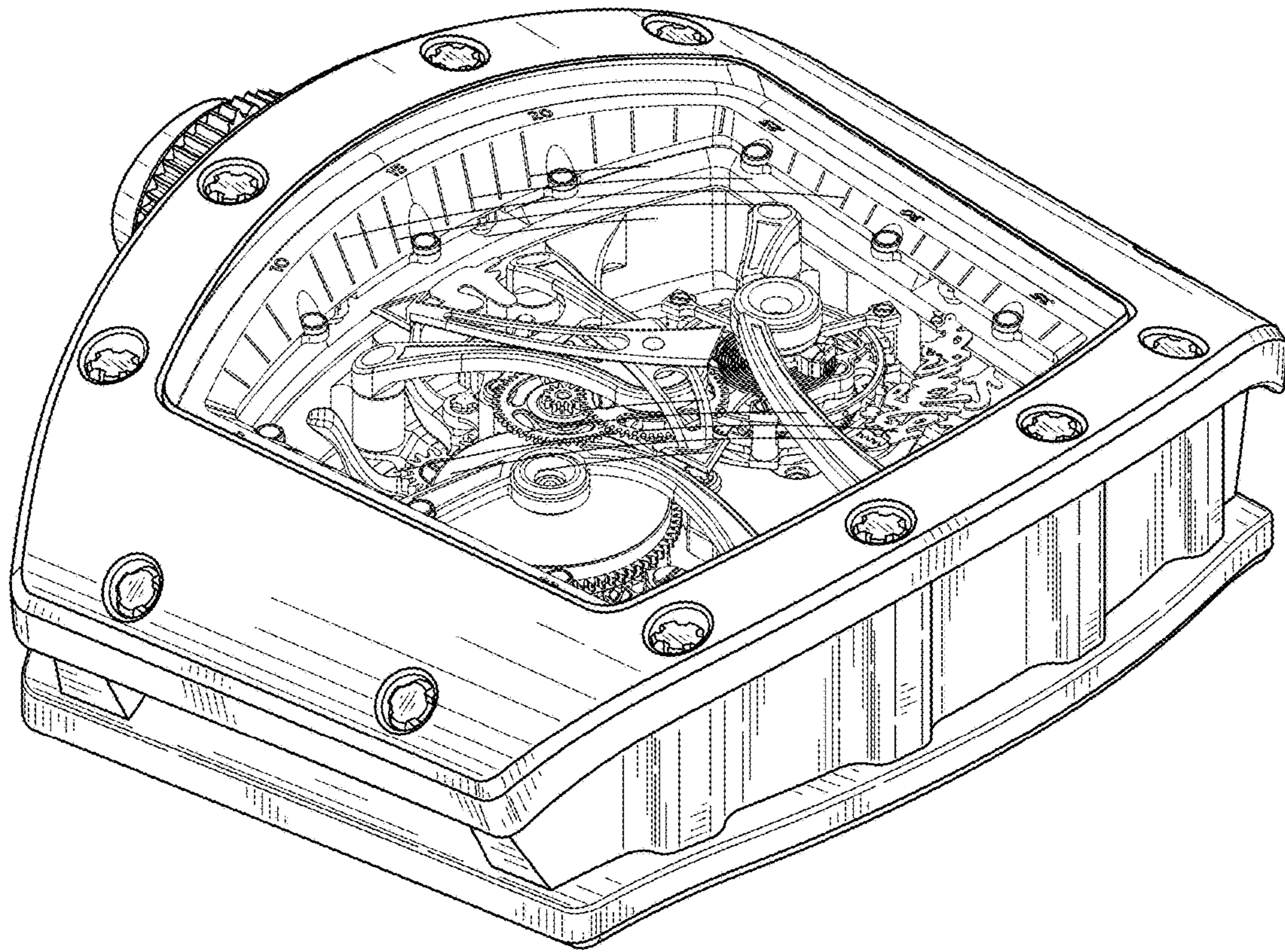


FIG. 9

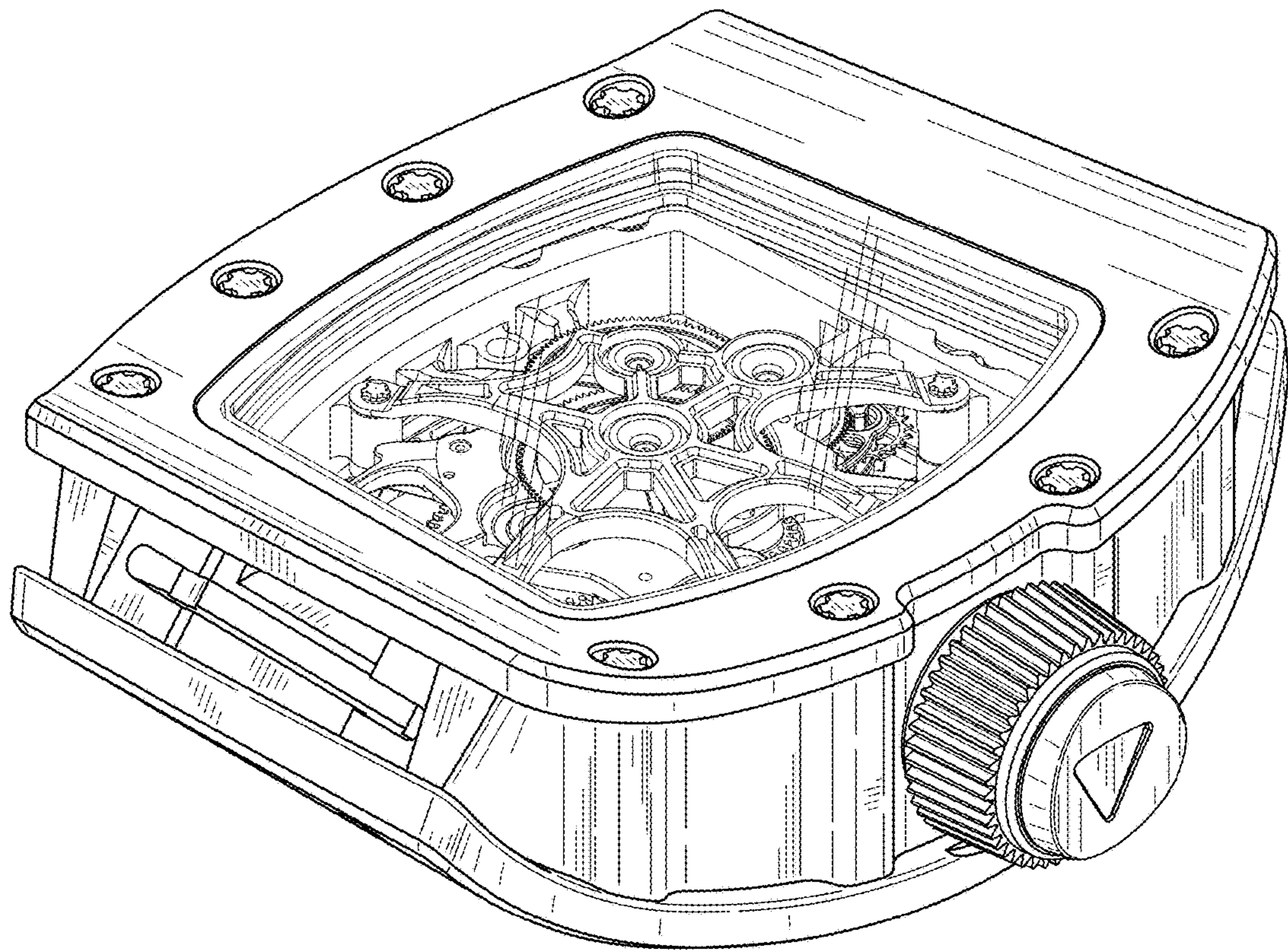


FIG. 10