



US00D790990S

(12) **United States Design Patent**
Hopkins

(10) **Patent No.:** **US D790,990 S**

(45) **Date of Patent:** **** Jul. 4, 2017**

(54) **WATCH STAND**

(71) Applicant: **Casey Hopkins**, Portland, OR (US)

(72) Inventor: **Casey Hopkins**, Portland, OR (US)

(**) Term: **15 Years**

(21) Appl. No.: **29/561,800**

(22) Filed: **Apr. 20, 2016**

(51) **LOC (10) Cl.** **10-01**

(52) **U.S. Cl.**
USPC **D10/28**

(58) **Field of Classification Search**
USPC D10/30-39, 1-29, 122-132; D9/651,
D9/429, 455, 671; D6/526, 354, 528,
D6/541

CPC G04B 17/00; G04B 17/02; G04B 17/005;
G04B 17/285; G04B 37/00; G04B
37/0008; G04B 37/0058; G04B 45/00;
G04B 45/038; G04B 45/0069; G04B
45/0076; G04B 45/02; G04B 29/00

See application file for complete search history.

(56) **References Cited**

U.S. PATENT DOCUMENTS

D348,699 S *	7/1994	Chuk	D10/1
D429,743 S *	8/2000	Renkis	D16/202
D466,029 S *	11/2002	Joss	D10/22
D523,760 S *	6/2006	Bedol	D10/1
D532,706 S *	11/2006	Bhavnani	D10/15
D570,395 S *	6/2008	Kanno	D16/239

D583,257 S *	12/2008	Lui	D10/15
D645,839 S *	9/2011	Skurdal	D14/171
D705,105 S *	5/2014	Solstad	D10/106.1
D720,752 S *	1/2015	Bleas	D14/420
D734,180 S *	7/2015	Benichou	D10/50
D746,348 S *	12/2015	Park	D16/203
D762,650 S *	8/2016	Dang	D14/434
D772,727 S *	11/2016	Silvera	D10/22
D775,874 S *	1/2017	Huang	D6/677.4

* cited by examiner

Primary Examiner — Susan Bennett Hattan

Assistant Examiner — Jennifer Wright

(74) *Attorney, Agent, or Firm* — Mohr Intellectual
Property Law Solutions, P.C.

(57) **CLAIM**

I claim the ornamental design for a watch stand, as shown
and described.

DESCRIPTION

FIG. 1 is a top, side perspective view of a watch stand.

FIG. 2 is a top, rear perspective view thereof.

FIG. 3 is a left-side elevation view thereof.

FIG. 4 is a right-side view thereof.

FIG. 5 is a front elevation view thereof.

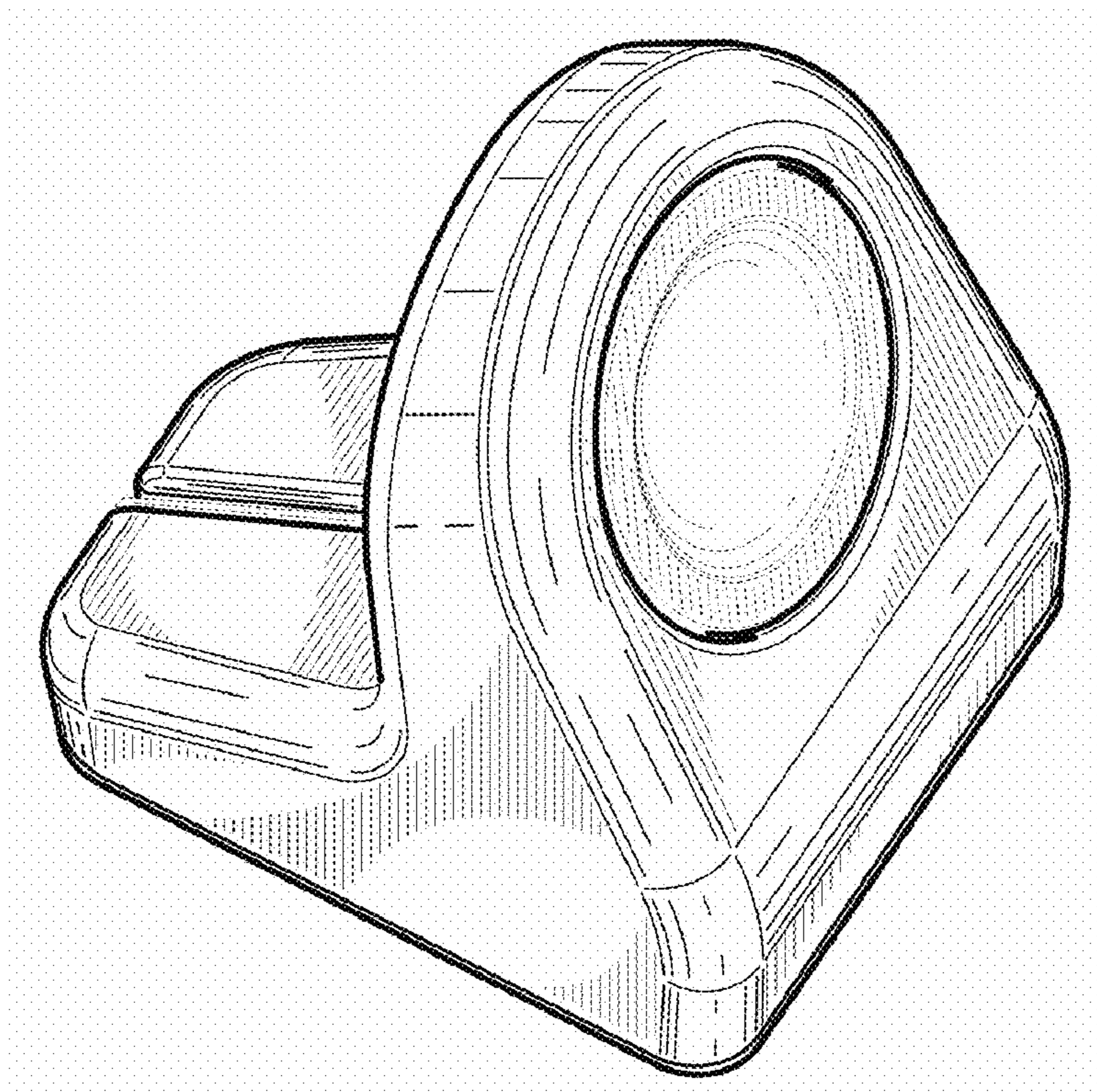
FIG. 6 is a rear elevation view thereof.

FIG. 7 is top plan view thereof; and,

FIG. 8 is a bottom plan view thereof.

The broken lines in the drawings illustrate optional acces-
sories of the watch stand that form no part of the claimed
watch stand design.

1 Claim, 3 Drawing Sheets



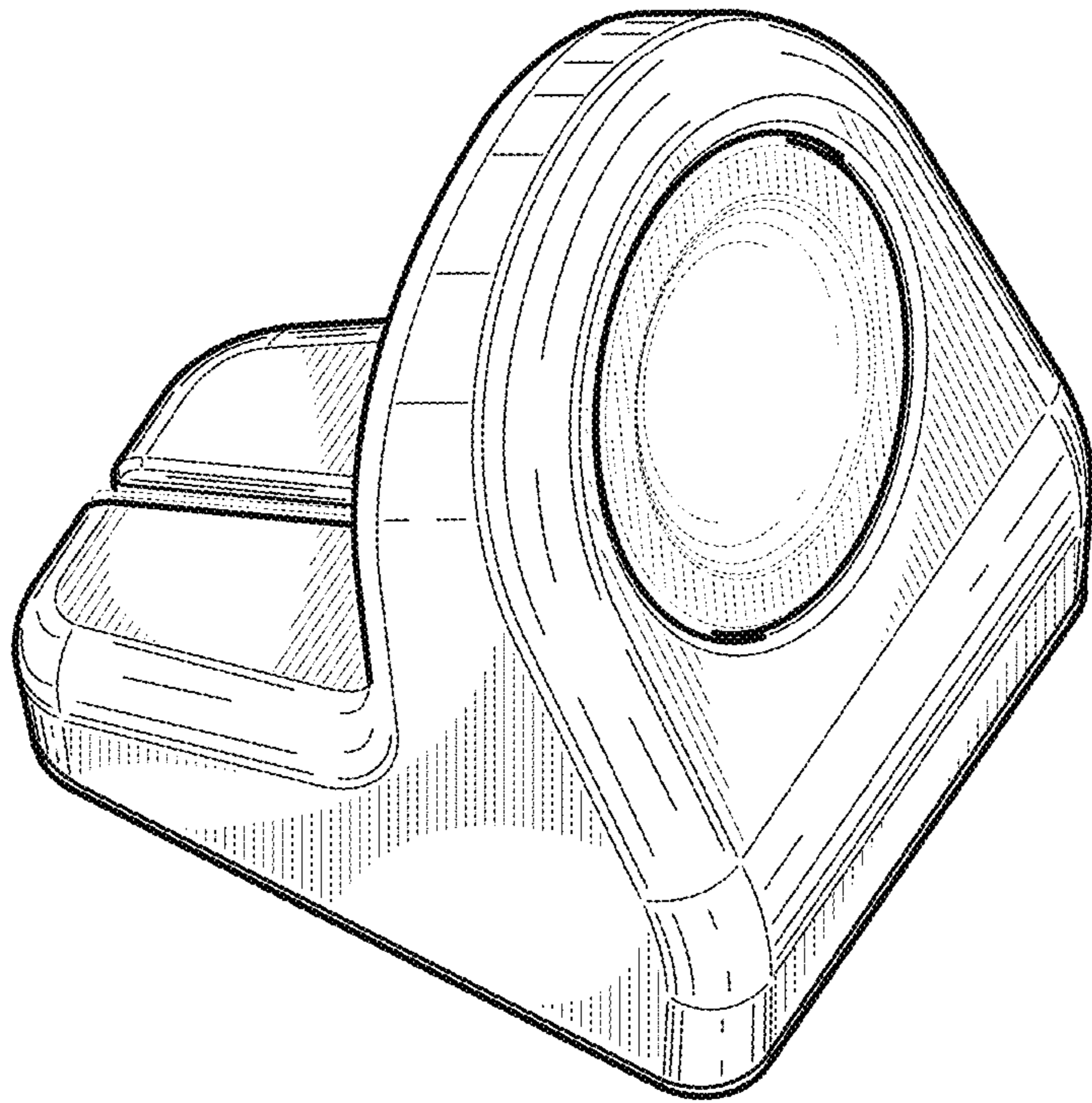


FIG. 1

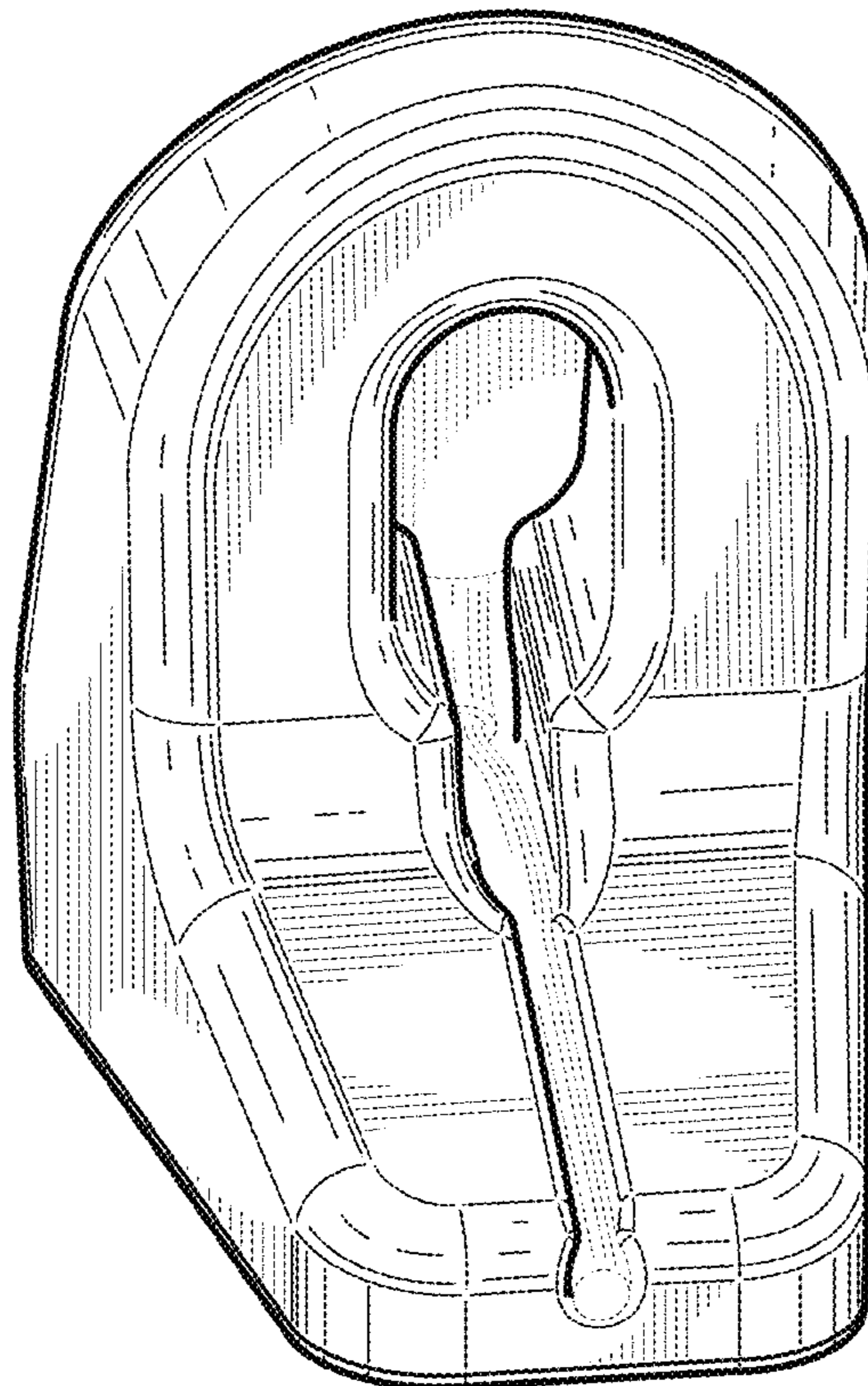


FIG. 2

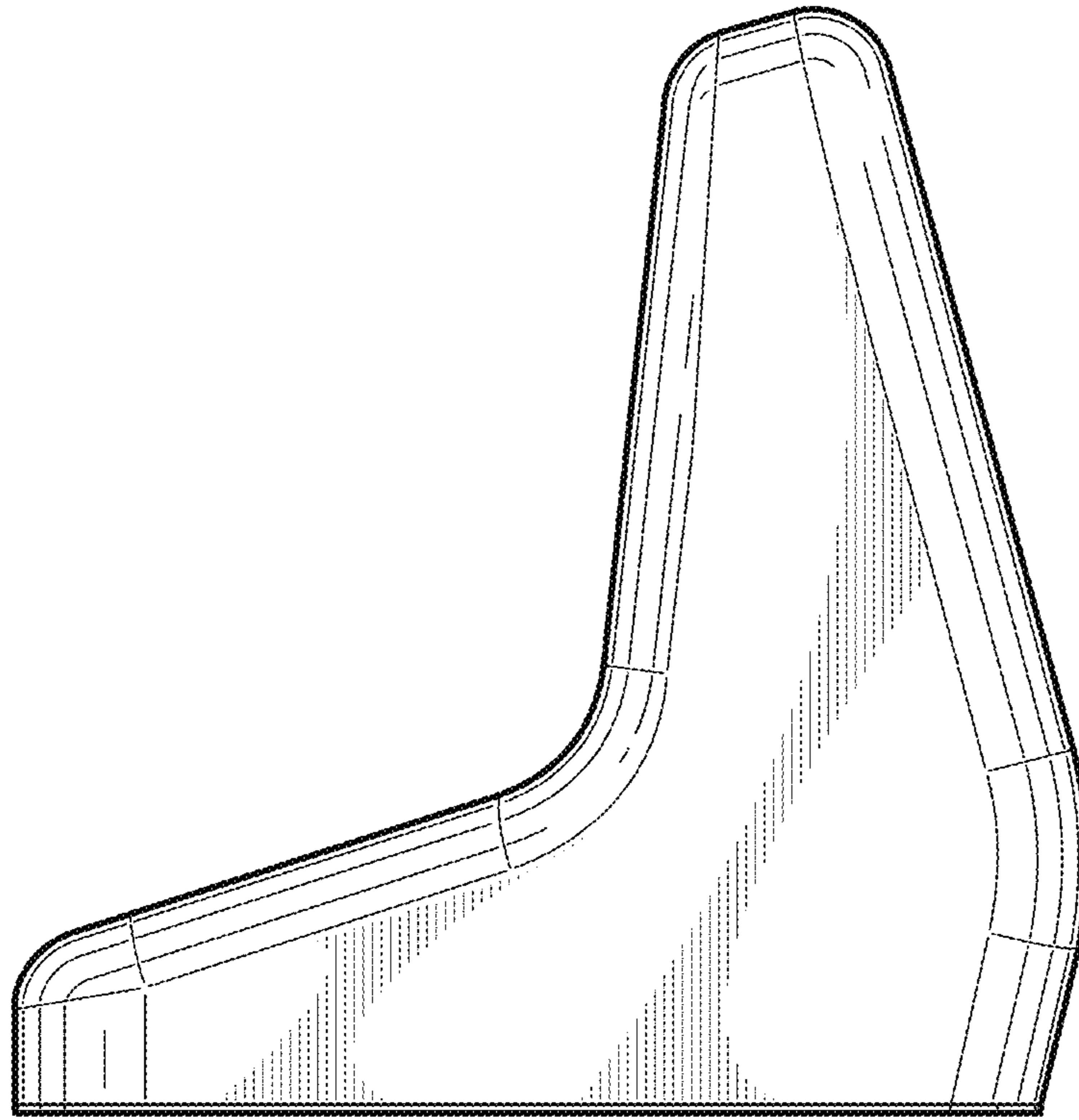


FIG. 3

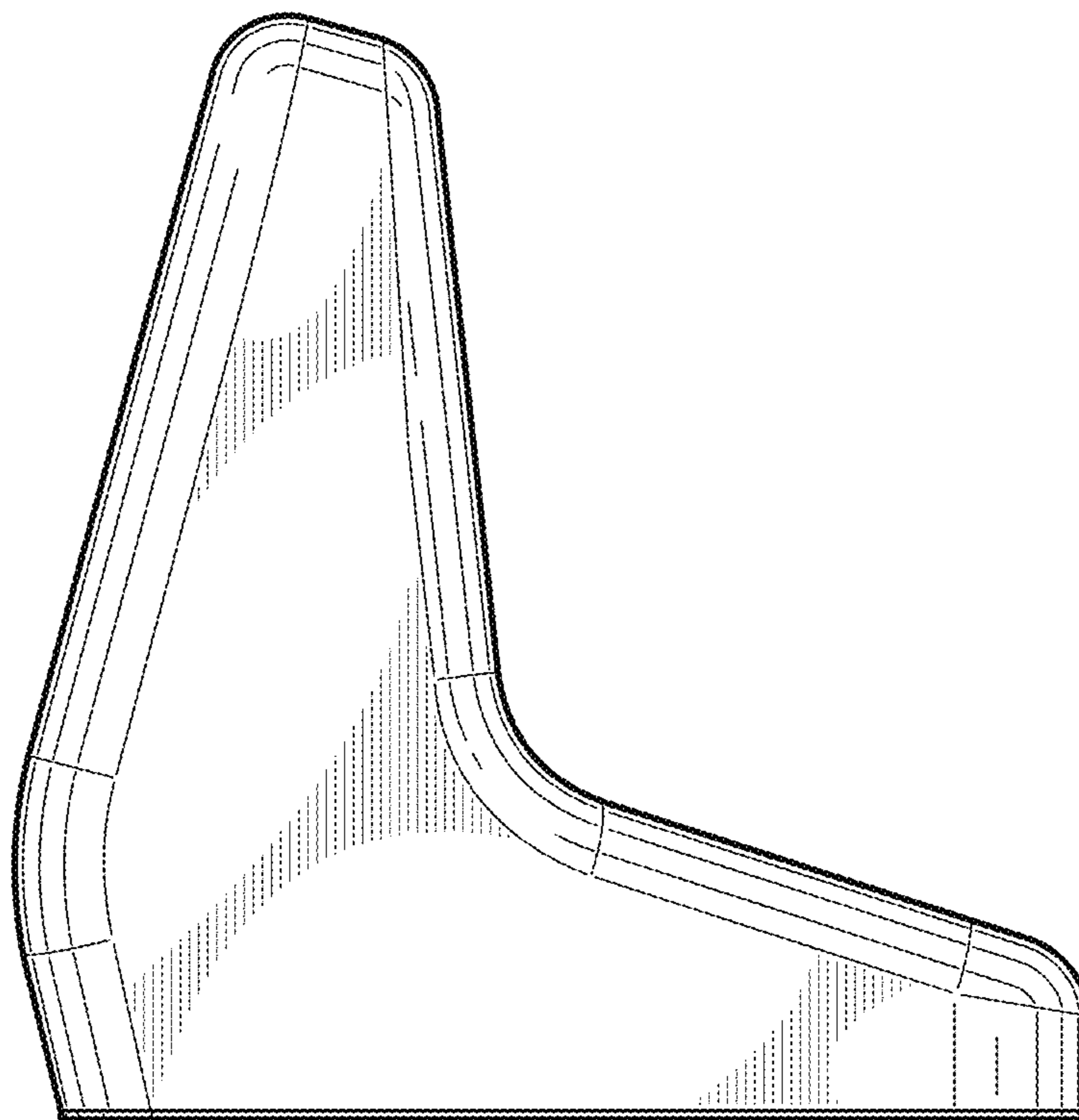


FIG. 4

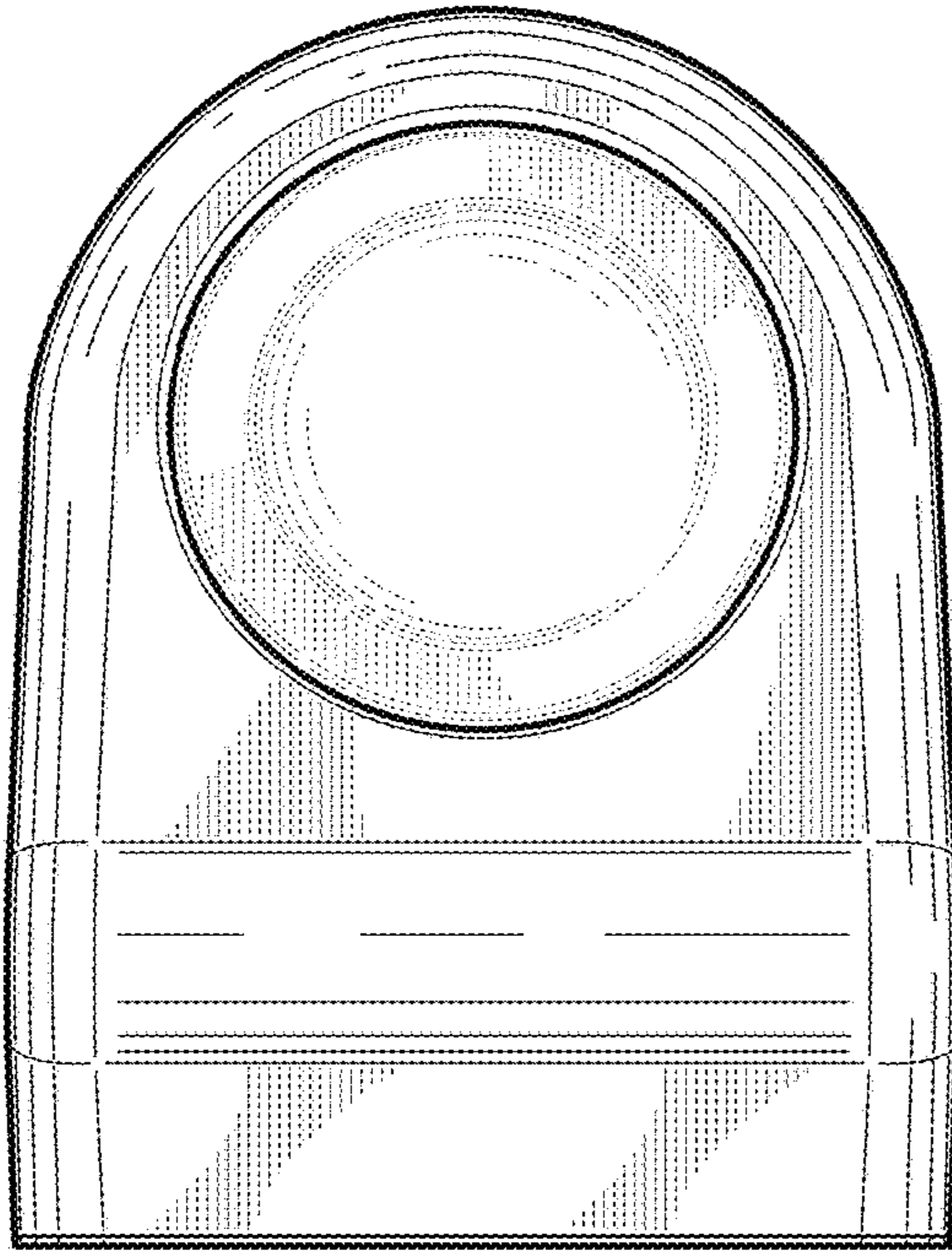


FIG. 5

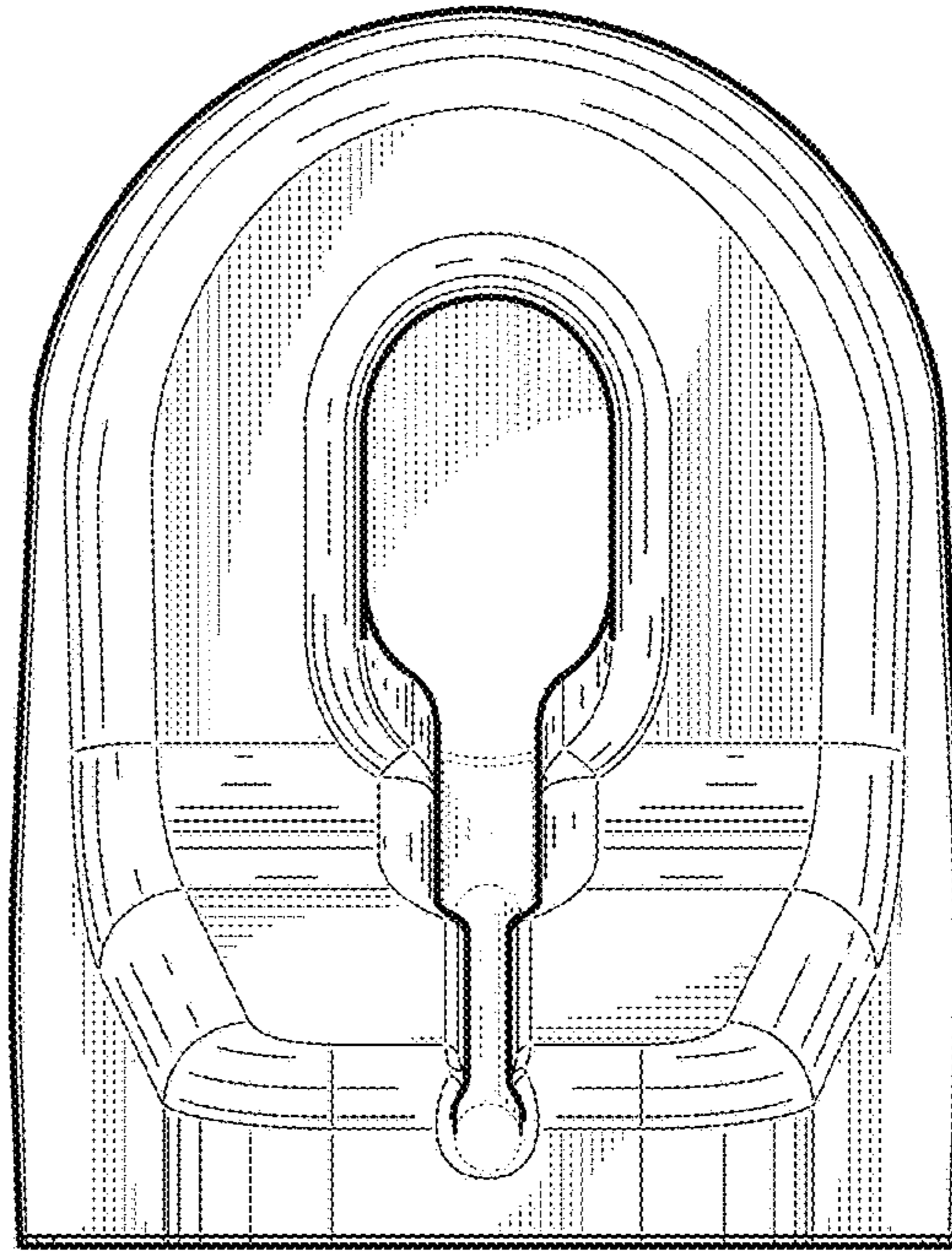


FIG. 6

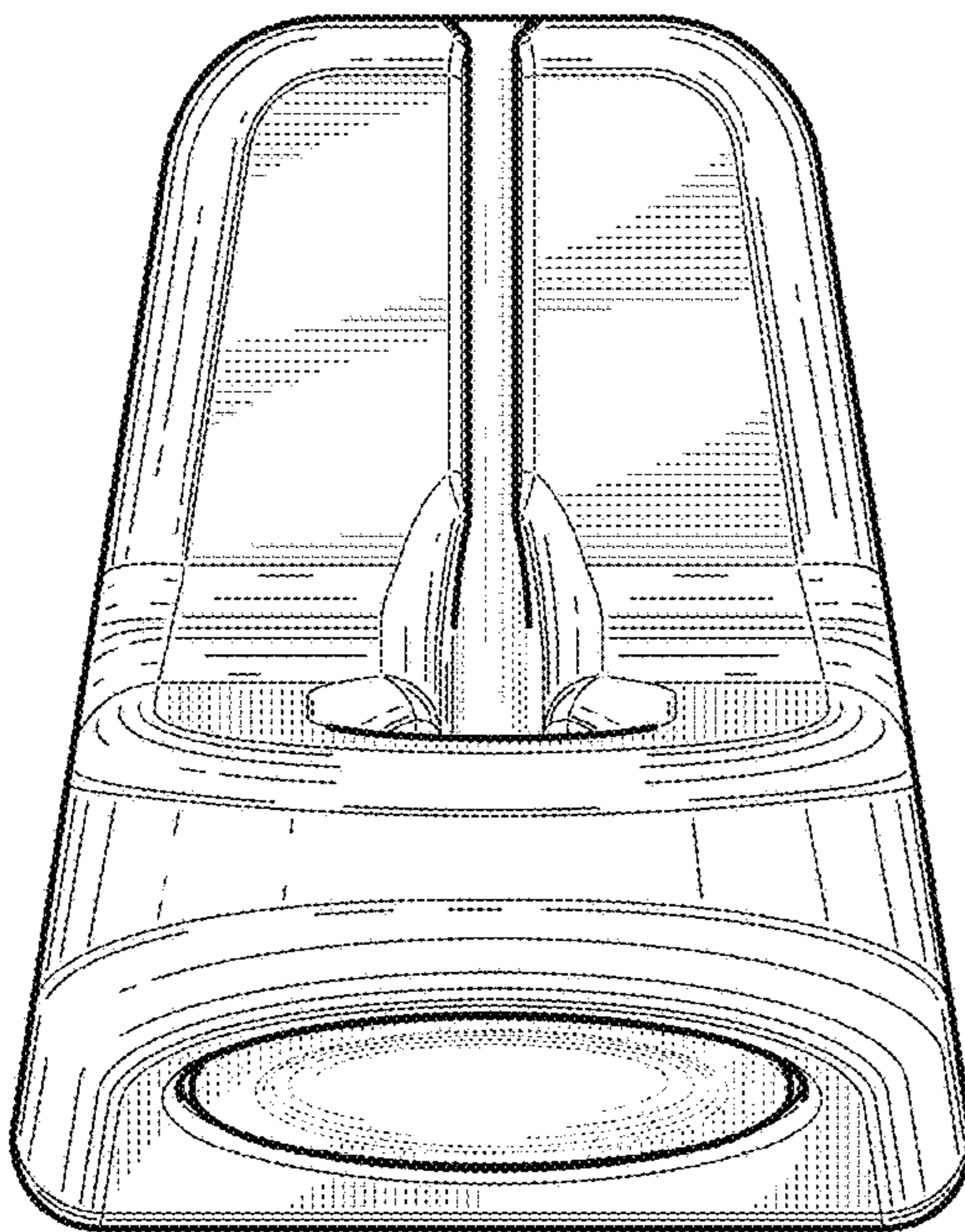


FIG. 7

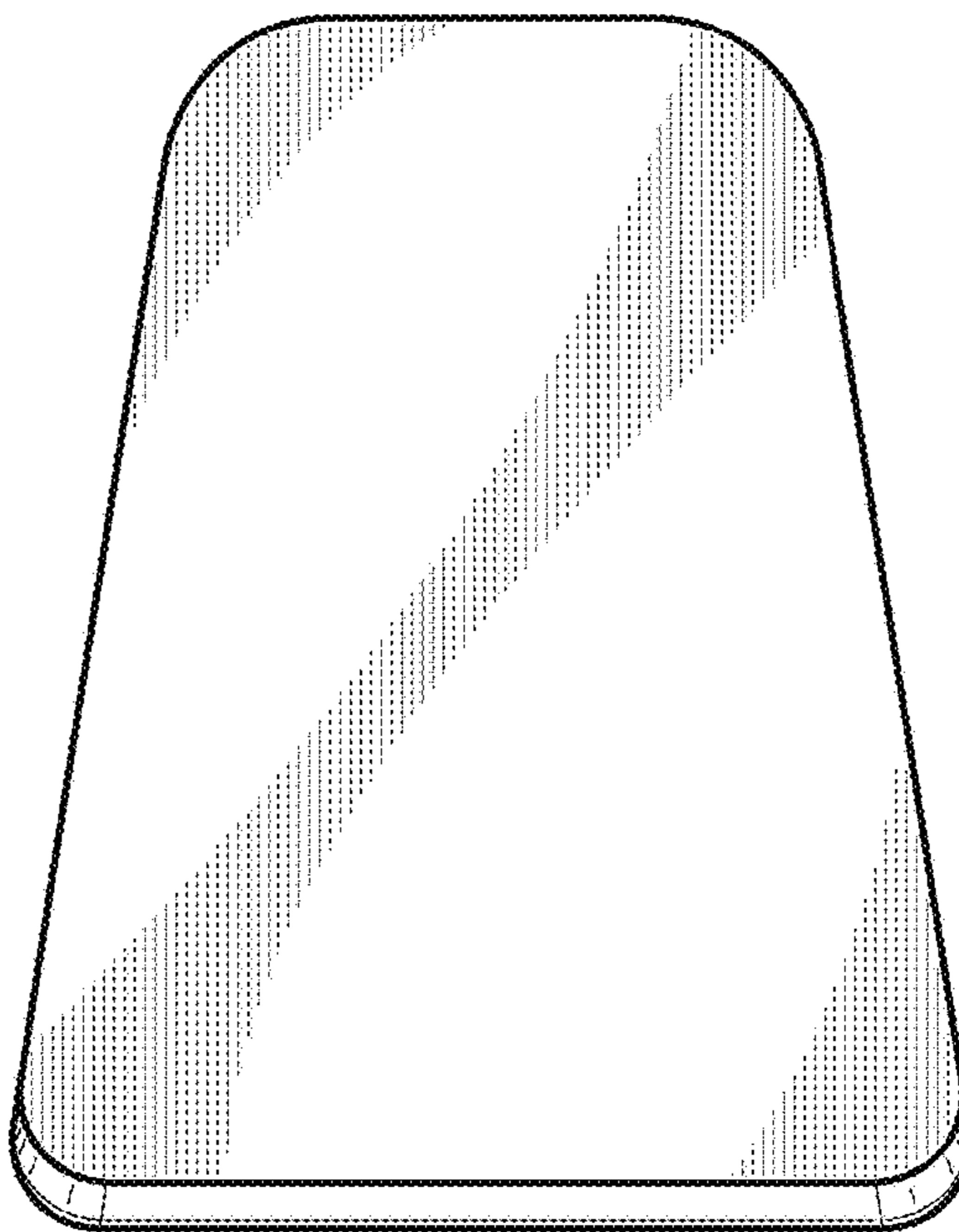


FIG. 8