



US00D790986S

(12) **United States Design Patent**  
**Babcock**

(10) **Patent No.:** **US D790,986 S**  
(45) **Date of Patent:** **\*\* Jul. 4, 2017**

(54) **MULTI-CHAMBER CONTAINER**  
(71) Applicant: **Glen Babcock**, Missoula, MT (US)  
(72) Inventor: **Glen Babcock**, Missoula, MT (US)  
(\*\*) Term: **14 Years**  
(21) Appl. No.: **29/492,375**  
(22) Filed: **May 30, 2014**  
(51) **LOC (10) Cl.** ..... **09-05**  
(52) **U.S. Cl.**  
USPC ..... **D9/707**  
(58) **Field of Classification Search**  
USPC ..... D9/702-714, 499, 442-443, 434-435,  
D9/415, 720-722, 416, 430-431;  
(Continued)

(56) **References Cited**  
U.S. PATENT DOCUMENTS  
3,608,709 A 9/1971 Pike  
D271,943 S \* 12/1983 Beise ..... D9/415  
(Continued)

*Primary Examiner* — Abraham Bahta  
(74) *Attorney, Agent, or Firm* — Sarah J. Rhoades

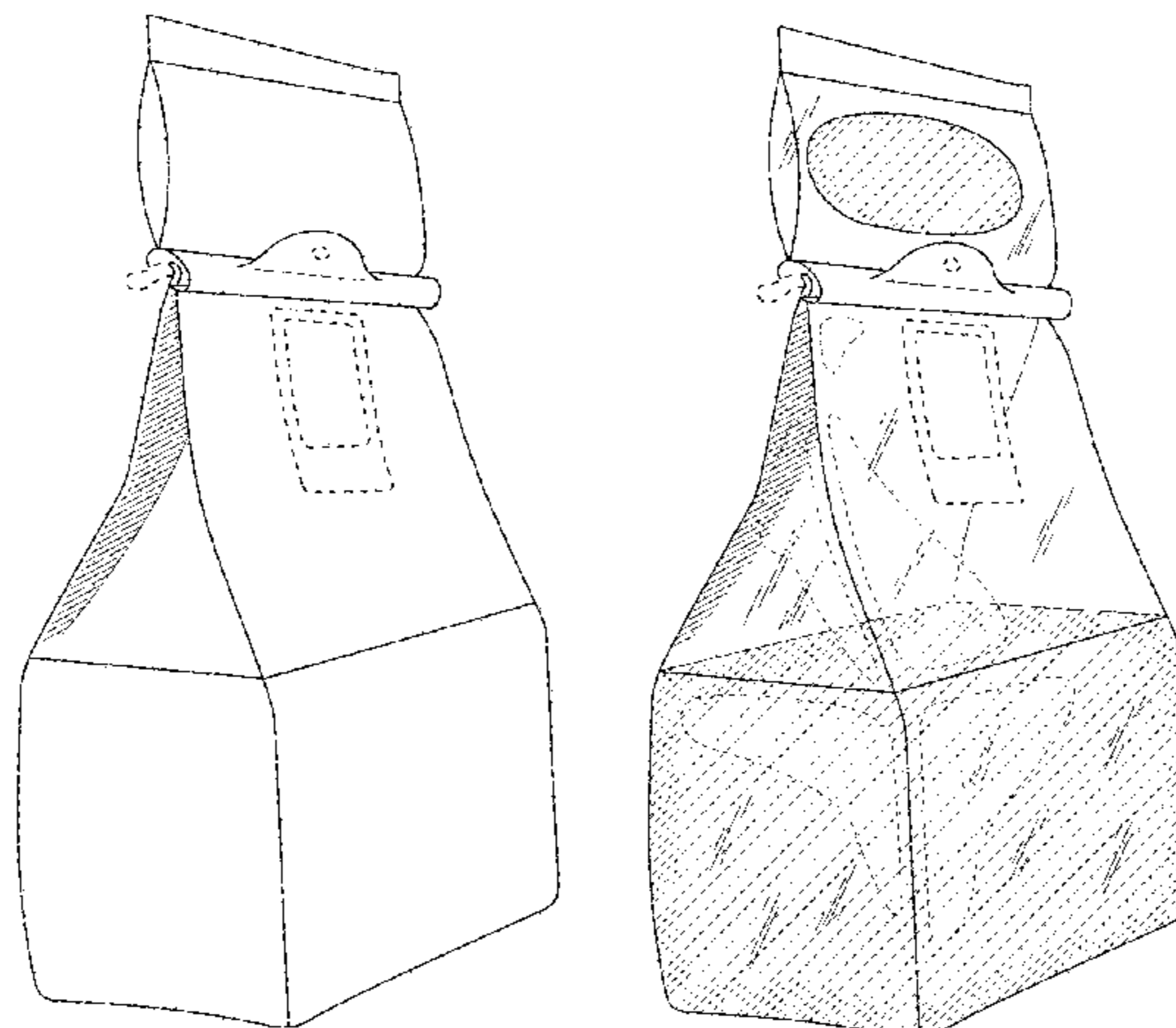
(57) **CLAIM**  
The ornamental design for a multi-chamber container, as shown and described.

**DESCRIPTION**

FIG. 1 is a perspective view of the multi-chamber container showing an opaque embodiment of my new design;  
FIG. 2 is a front elevation view thereof;  
FIG. 3 is a first side elevation view, the second side view being a mirror image thereof except with regard to the clipping mechanism;  
FIG. 4 is a bottom view thereof;  
FIG. 5 is a top view thereof;

FIG. 6 is a perspective view of a transparent multi-chamber container;  
FIG. 7 is a front elevation view thereof;  
FIG. 8 is a side elevation view thereof;  
FIG. 9 is a second side elevation view thereof;  
FIG. 10 is a rear elevation view thereof;  
FIG. 11 is a bottom plan view thereof;  
FIG. 12 is a top view thereof;  
FIG. 13 is a front view of a second alternative embodiment according to the present invention showing an alternative position of the separation seal below the filter on the container.  
FIG. 14 is a side view of a second alternative embodiment shown in FIG. 13.  
FIG. 15 is a front view of a third alternative embodiment according to the present invention showing an alternative position of the separation seal overtop of the filter on the container.  
FIG. 16 is a side view of the third alternative embodiment shown in FIG. 15.  
FIG. 17 is a front view of a fourth alternative embodiment of the present invention; and,  
FIG. 18 is a side view of the fourth alternative embodiment shown in FIG. 17.  
The broken line showing of a filter breather patch, a hole, and the tongue feature of the separation seam clamp in the drawings are included for the purpose of showing environmental context for the multi-chamber container and form no part of the claimed design.  
The diagonally extending broken lines shown in FIGS. 6-18 represent the contents of the multi-chamber container and are included for the purpose of showing environmental context and form no part of the claimed design. More specifically, the lines within the oval shape at the top of the bag in FIGS. 6-16 represent organisms held within the bag. The diagonally extending broken lines in the lower half of the bag illustrated in FIGS. 6-16 represents the food substrate. In FIGS. 17-18 the organisms and the food substrate have been combined in the lower half of the bag.  
The generally triangular shapes shown in FIG. 6 illustration artifacts representing transparency. These triangular shapes are not part of the claimed design and are thus shown in broken lines.

**1 Claim, 16 Drawing Sheets**



(58) **Field of Classification Search**

USPC ..... D24/118, 121, 207; 426/106; 383/61.1,  
383/42, 119-120, 106-108, 103, 127,  
383/114, 907, 104, 121; D3/203.1, 303,  
D3/203.2, 232; D27/183, 185, 189;  
222/92, 107, 215; 220/495.03; 206/406,  
206/811, 484, 260, 527, 248, 223;  
428/35.2; 229/125.15, 213, 200-201  
CPC ... B65D 1/00; B65D 1/22; B65D 3/00; B65D  
3/02; B65D 3/22; B65D 3/24; B65D  
5/00; B65D 5/008; B65D 5/02; B65D  
5/32; B65D 31/00; B65D 31/02; B65D  
31/04; B65D 31/06; B65D 31/10; B65D  
81/00; B65D 81/36

See application file for complete search history.

(56) **References Cited**

U.S. PATENT DOCUMENTS

D319,780	S *	9/1991	Laaki	.....	D9/707
5,370,221	A	12/1994	Magnusson et al.		
D535,568	S *	1/2007	Hunter	.....	D9/703
7,503,696	B2	3/2009	Ha et al.		
D597,832	S *	8/2009	Bischoff	.....	D9/431
D625,613	S *	10/2010	Cowan-Hughes	.....	D9/703
D721,954	S *	2/2015	Kauanui	.....	D9/431
D742,246	S *	11/2015	Tan	.....	D9/707
2008/0155790	A1	7/2008	Hsu		
2012/0023709	A1	2/2012	Hsu		

\* cited by examiner

FIG. 1

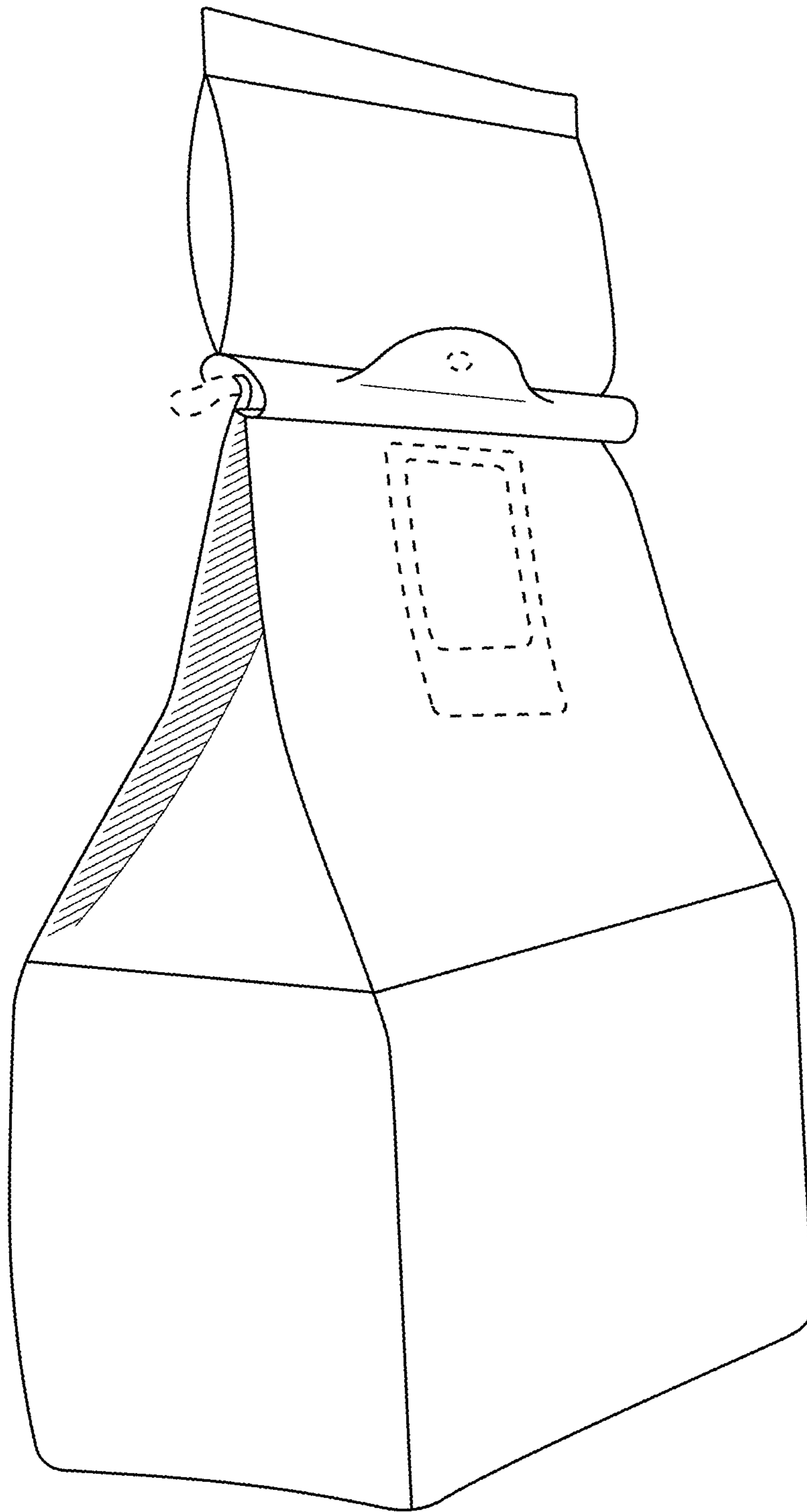


FIG. 2

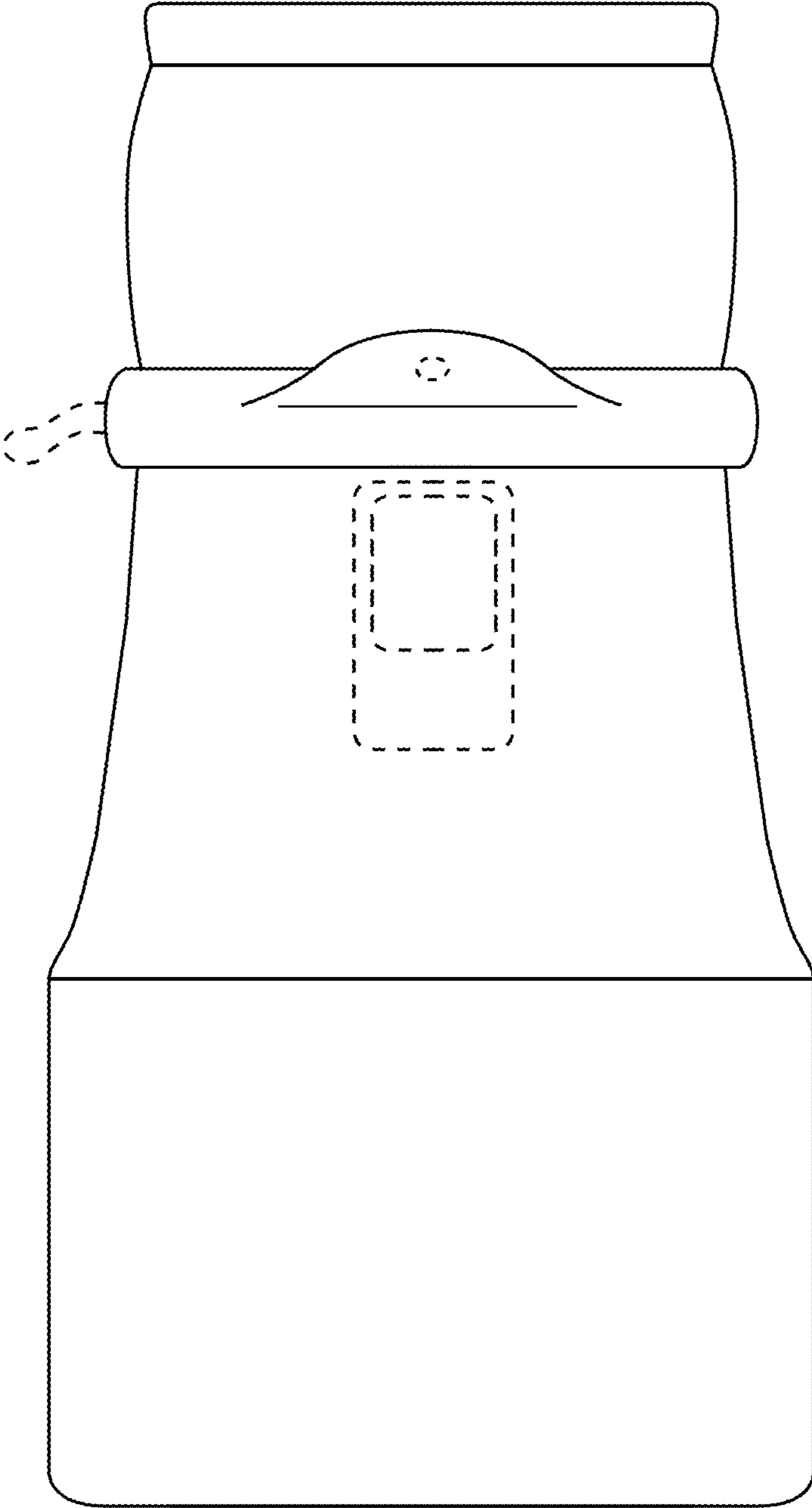


FIG. 3

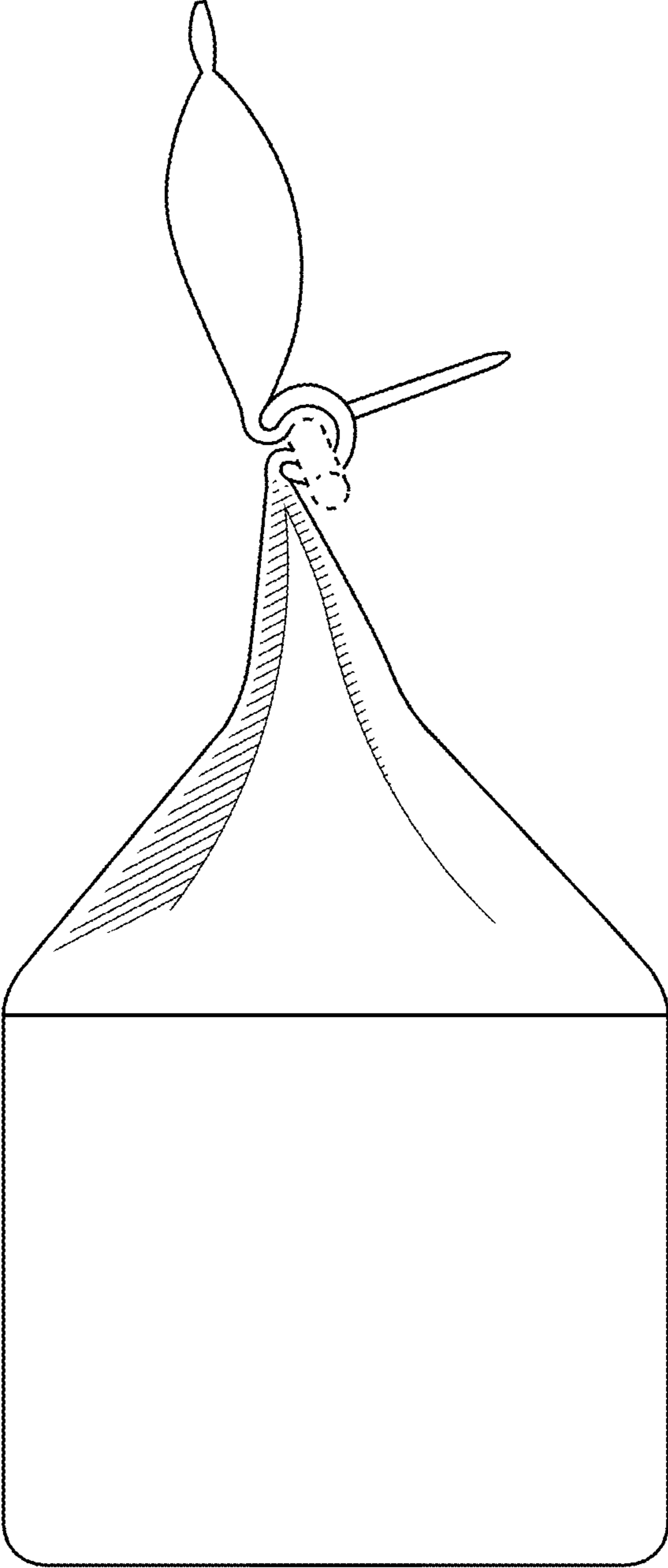


FIG. 4

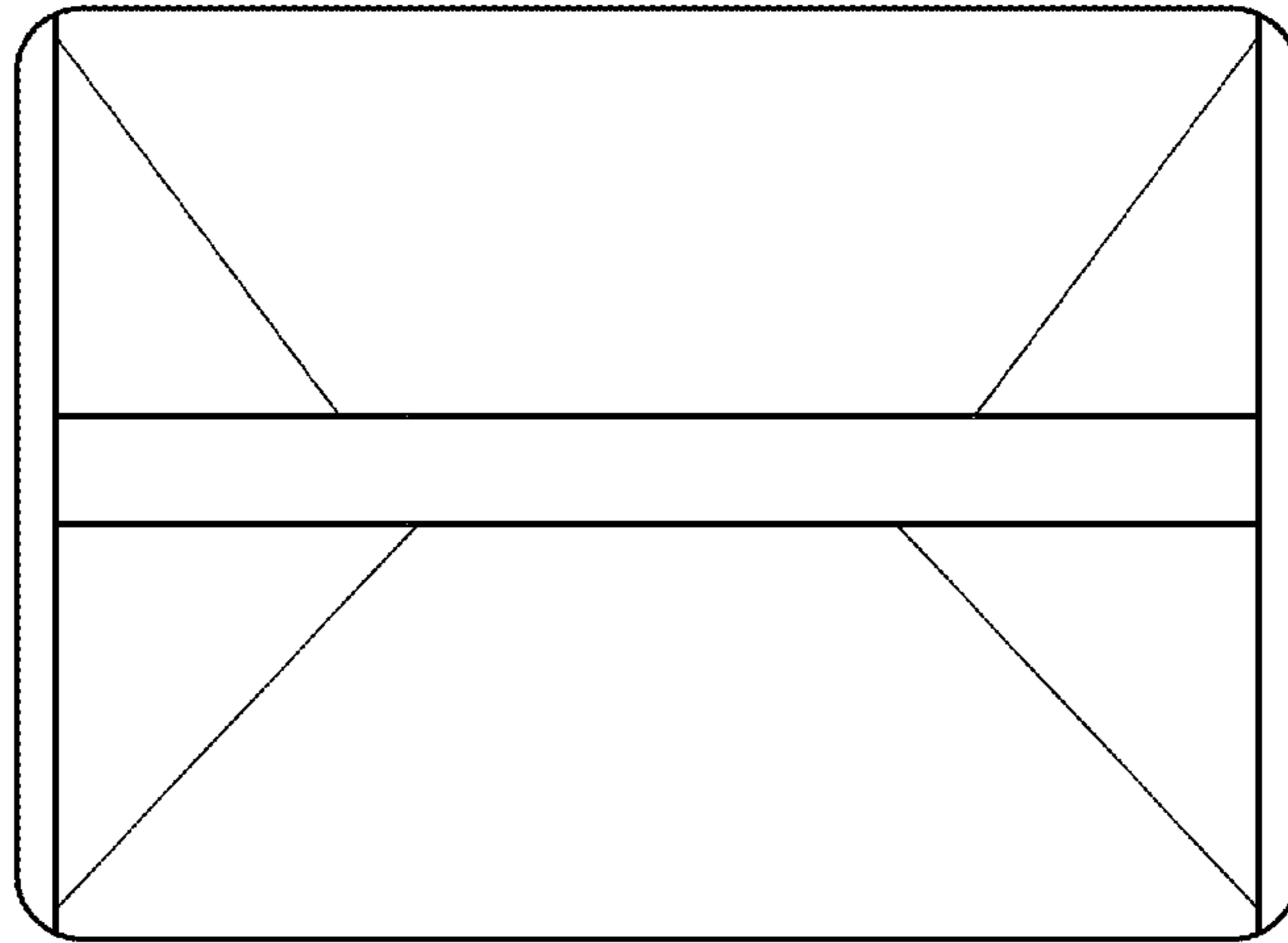


FIG. 5

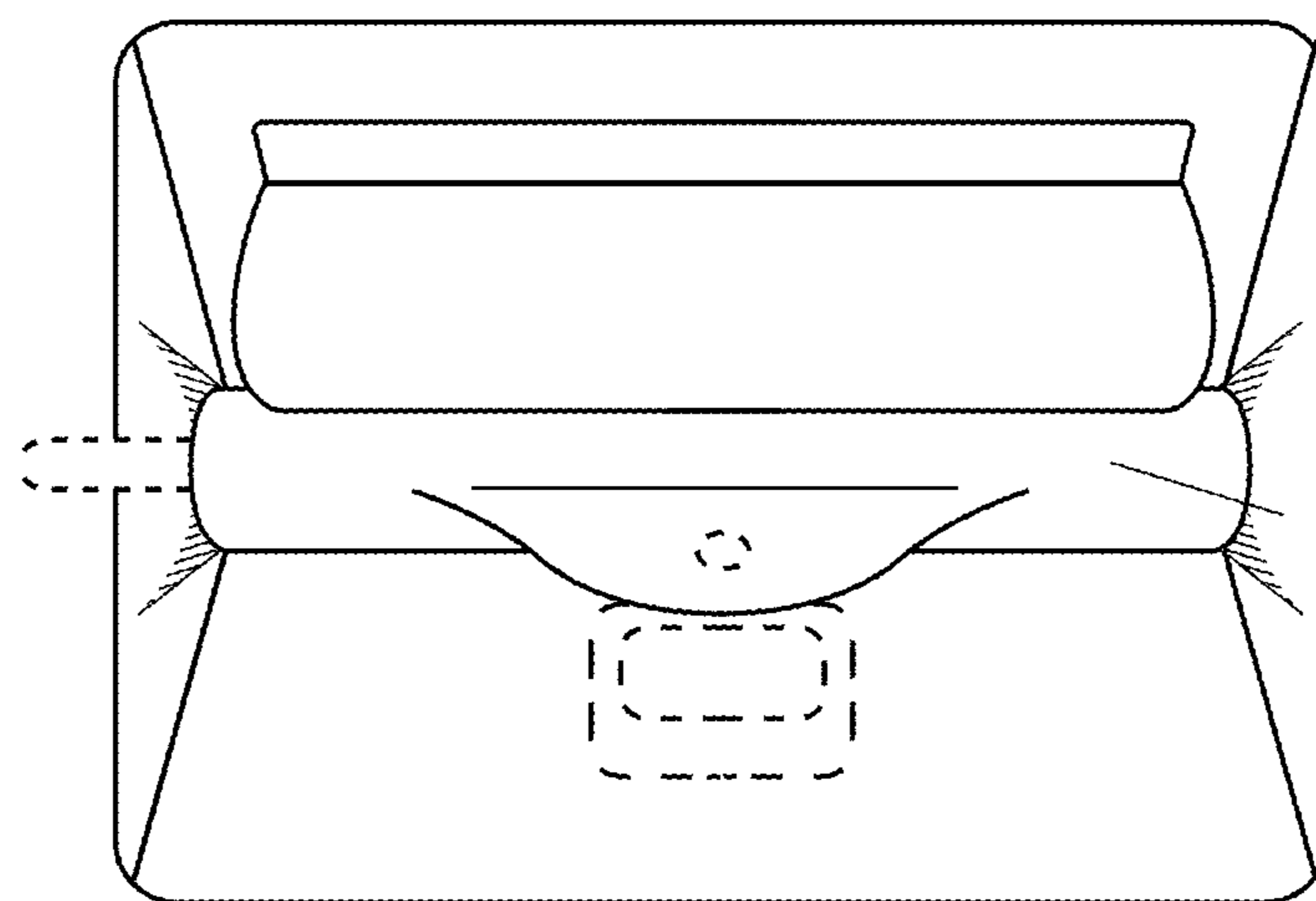


FIG. 6

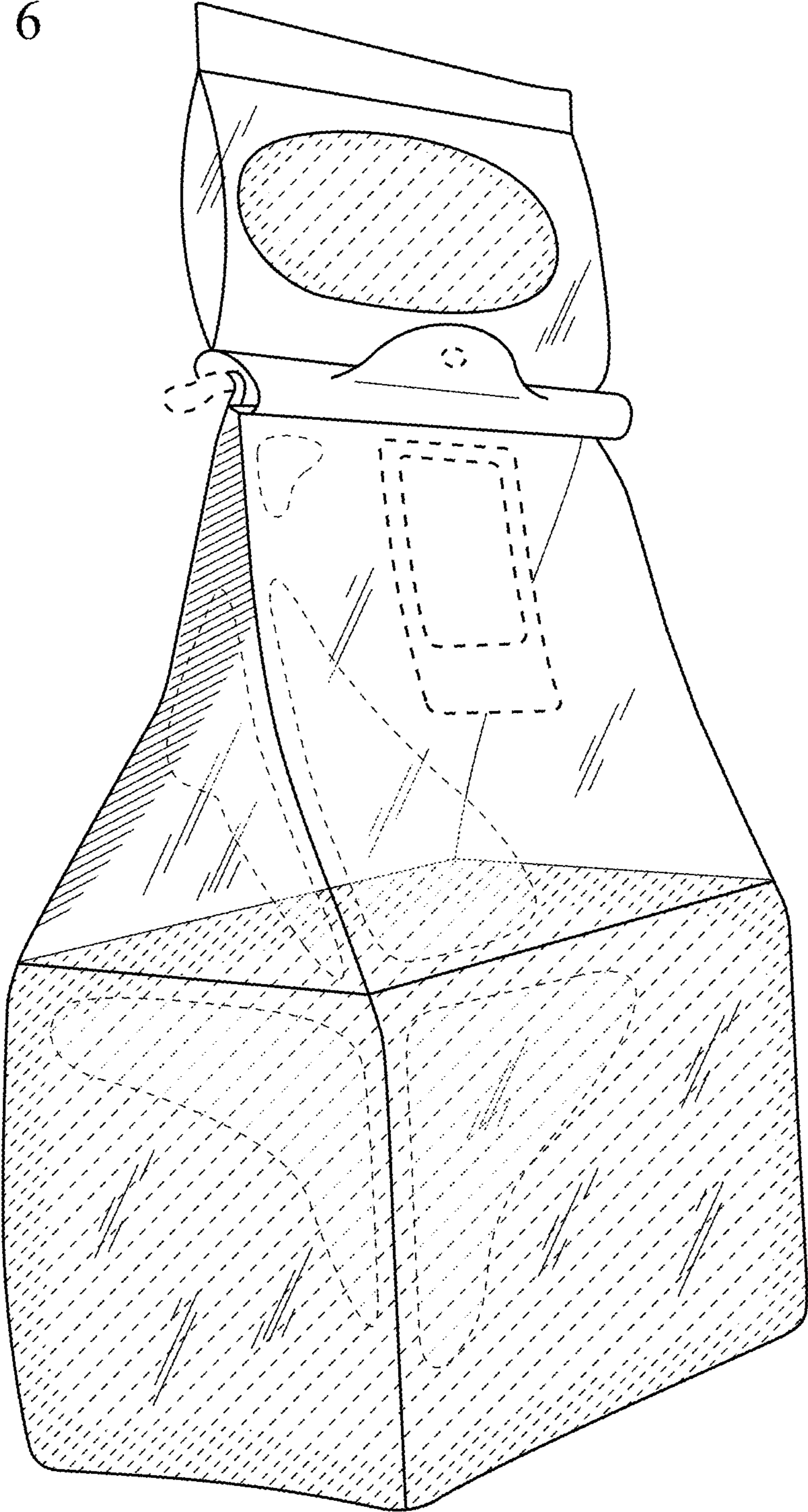


FIG. 7

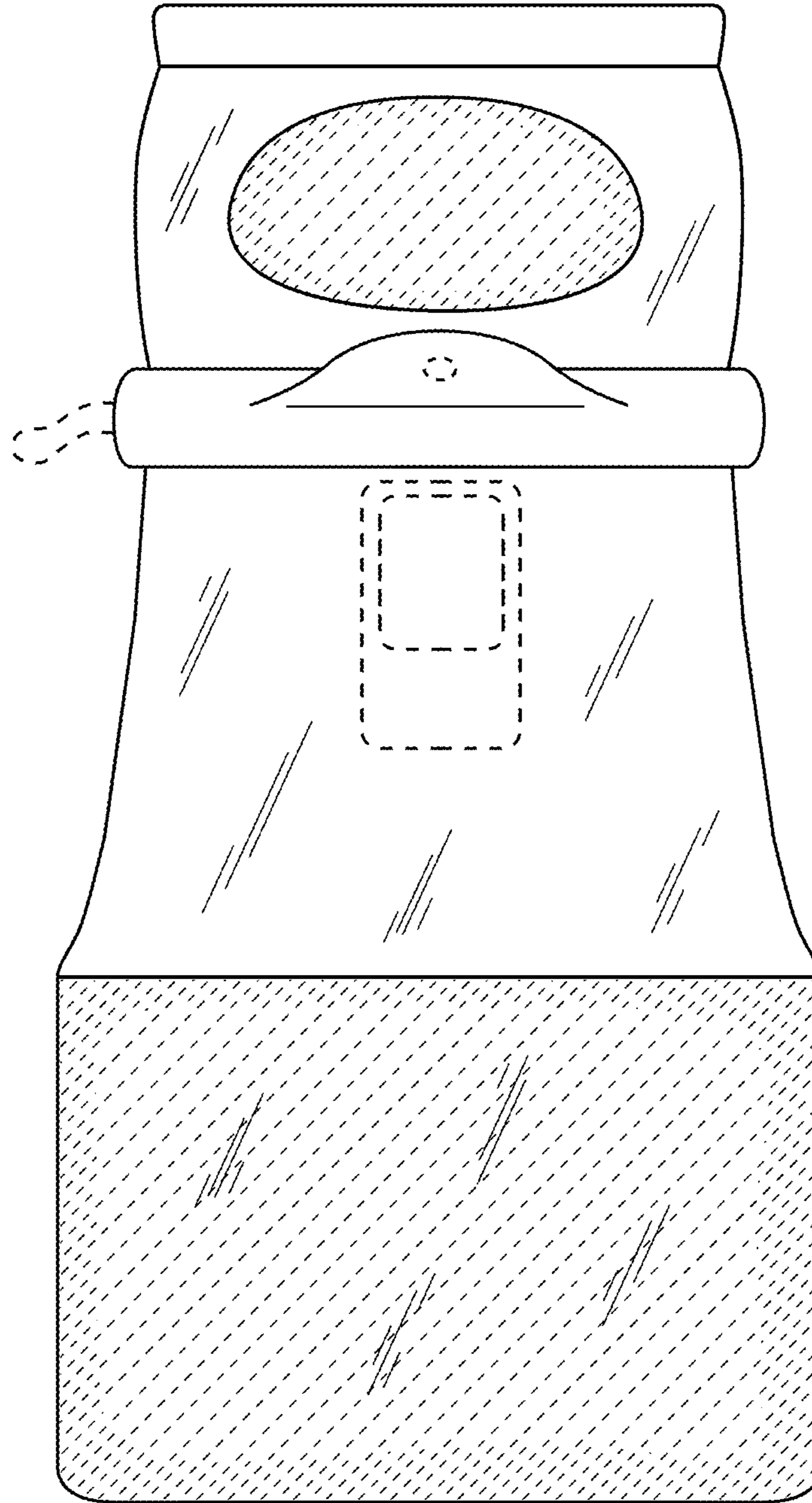




FIG. 8

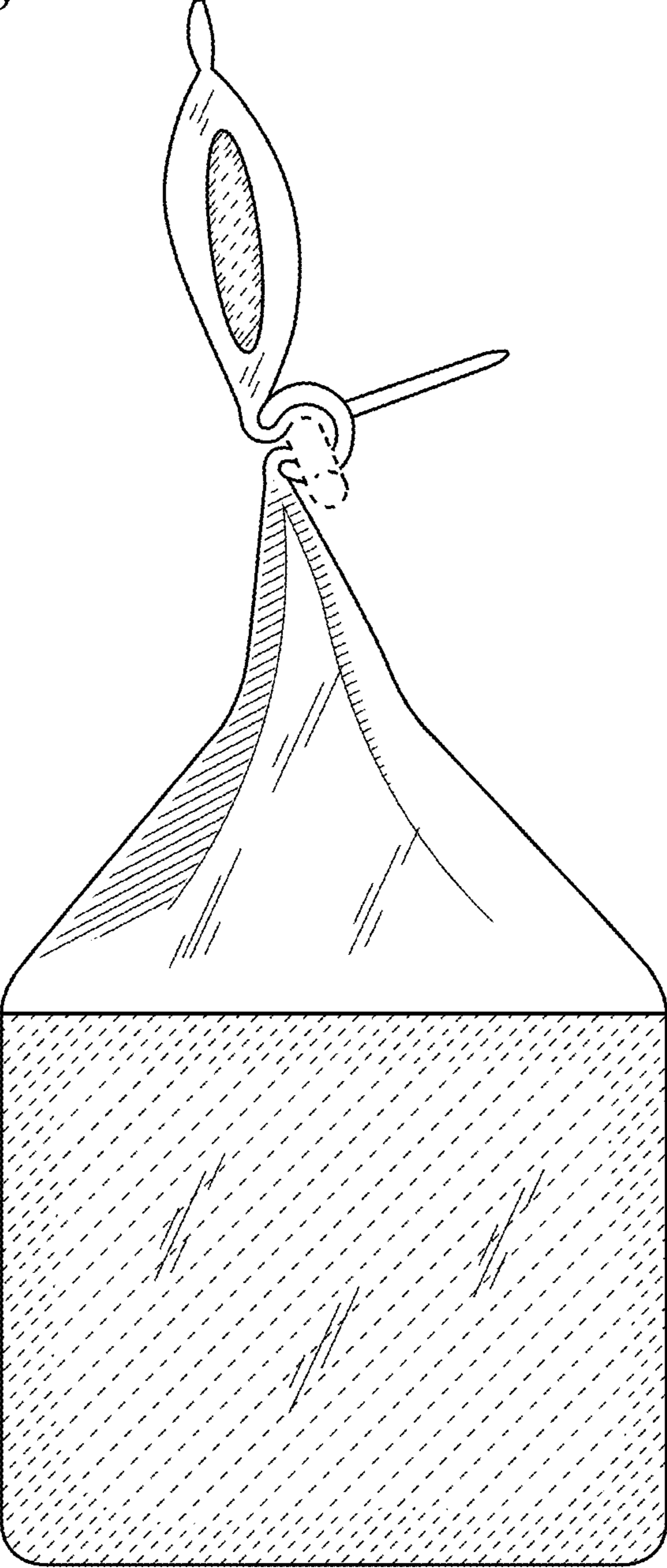


FIG. 9

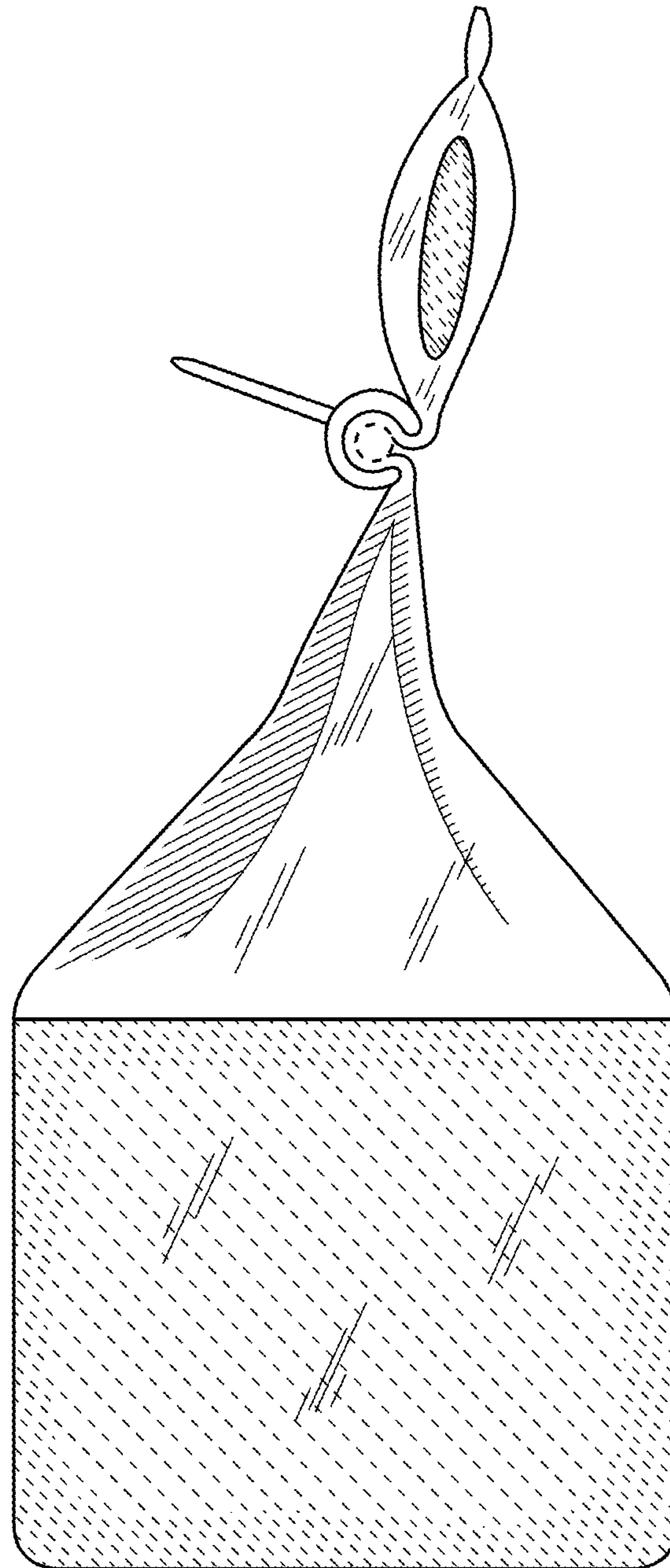


FIG. 10

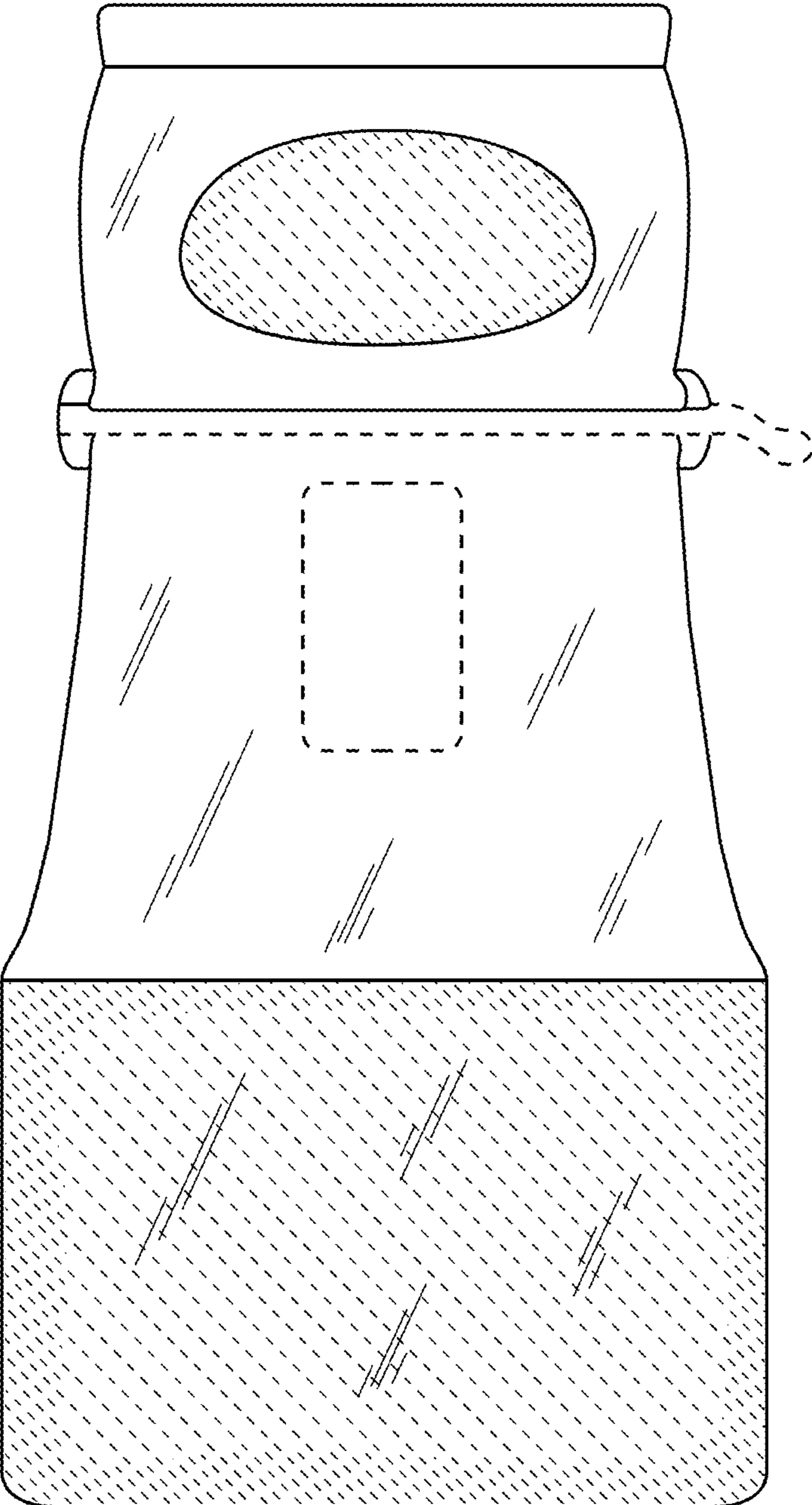


FIG. 11

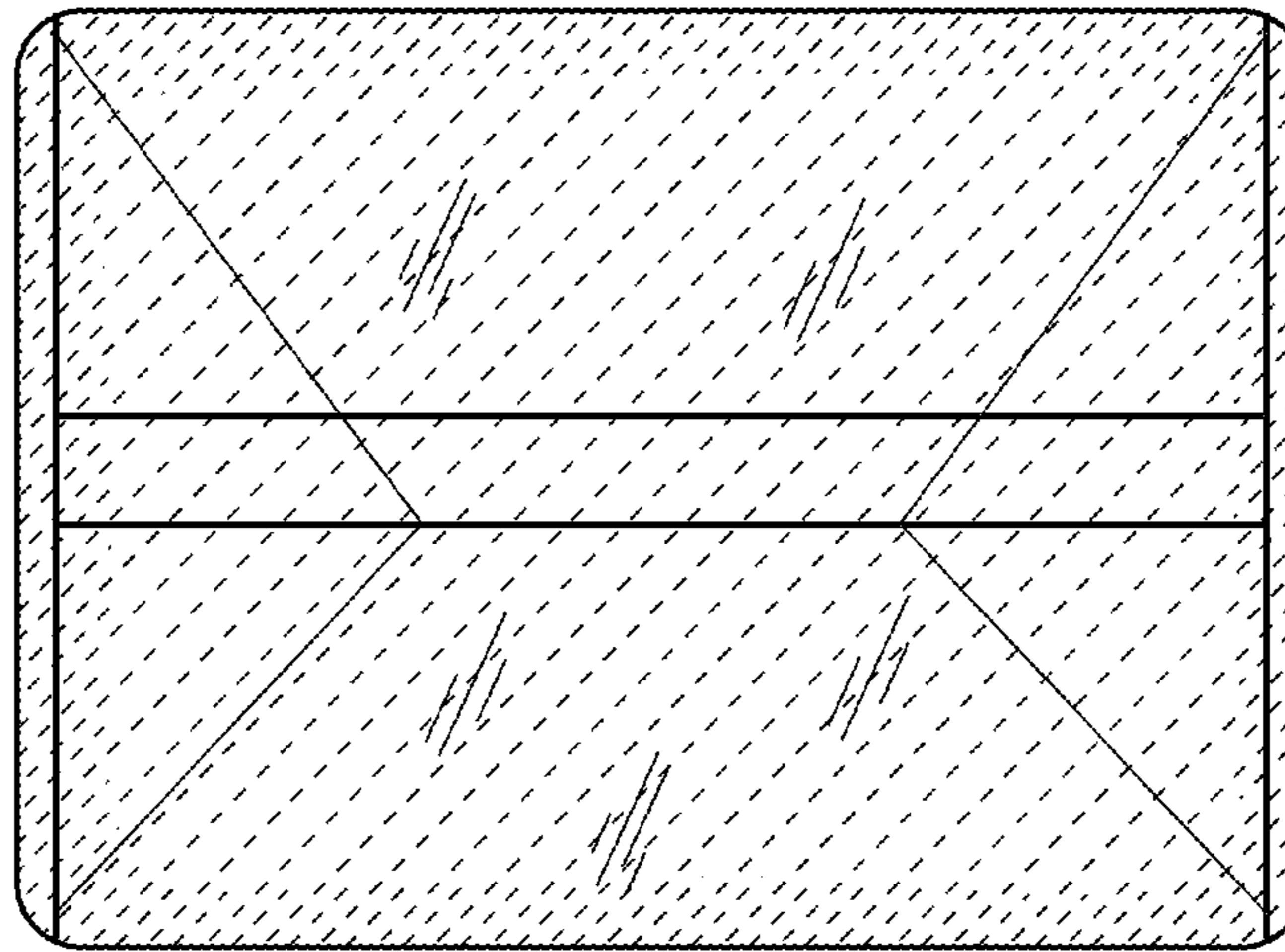


FIG. 12

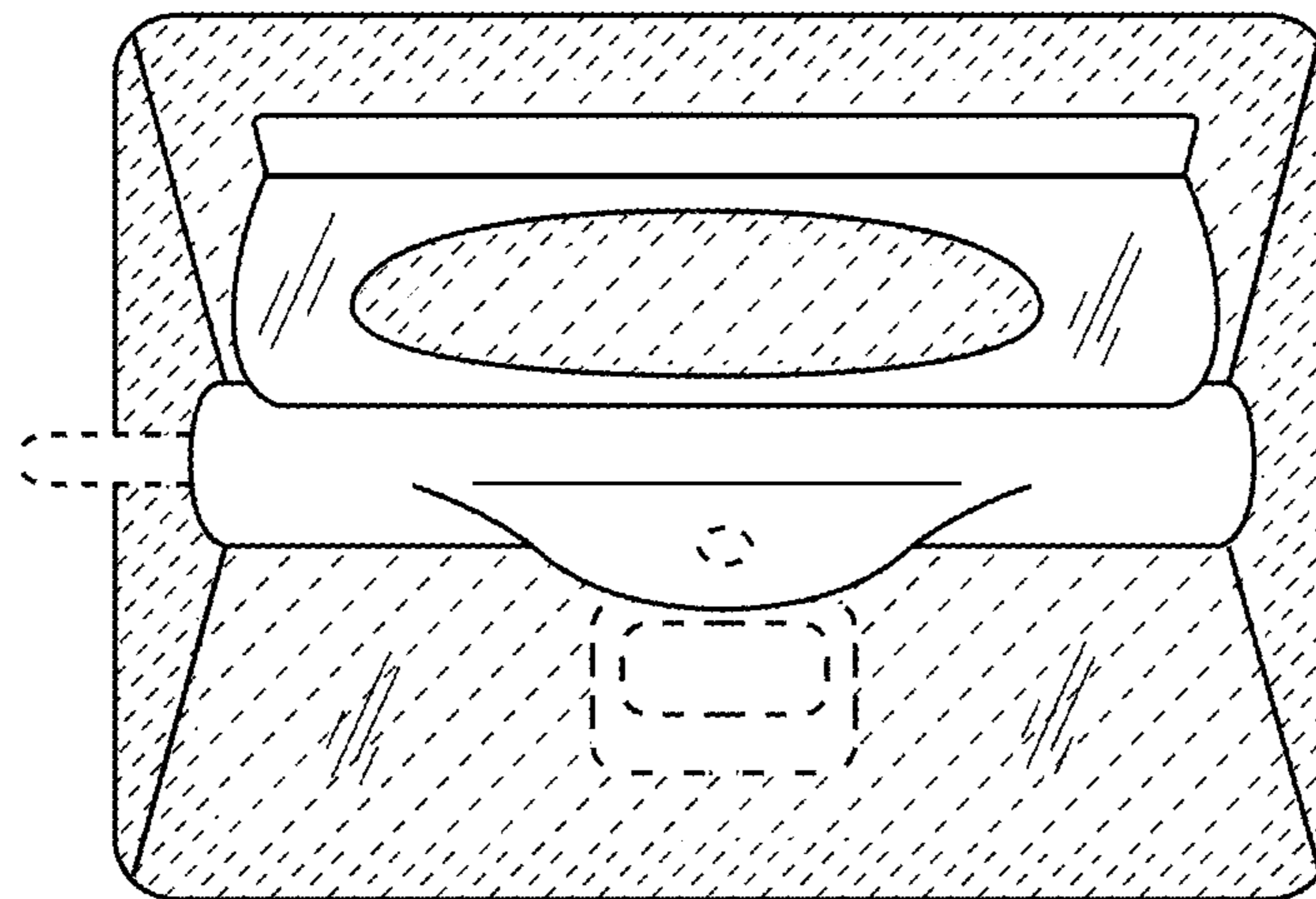


FIG. 13

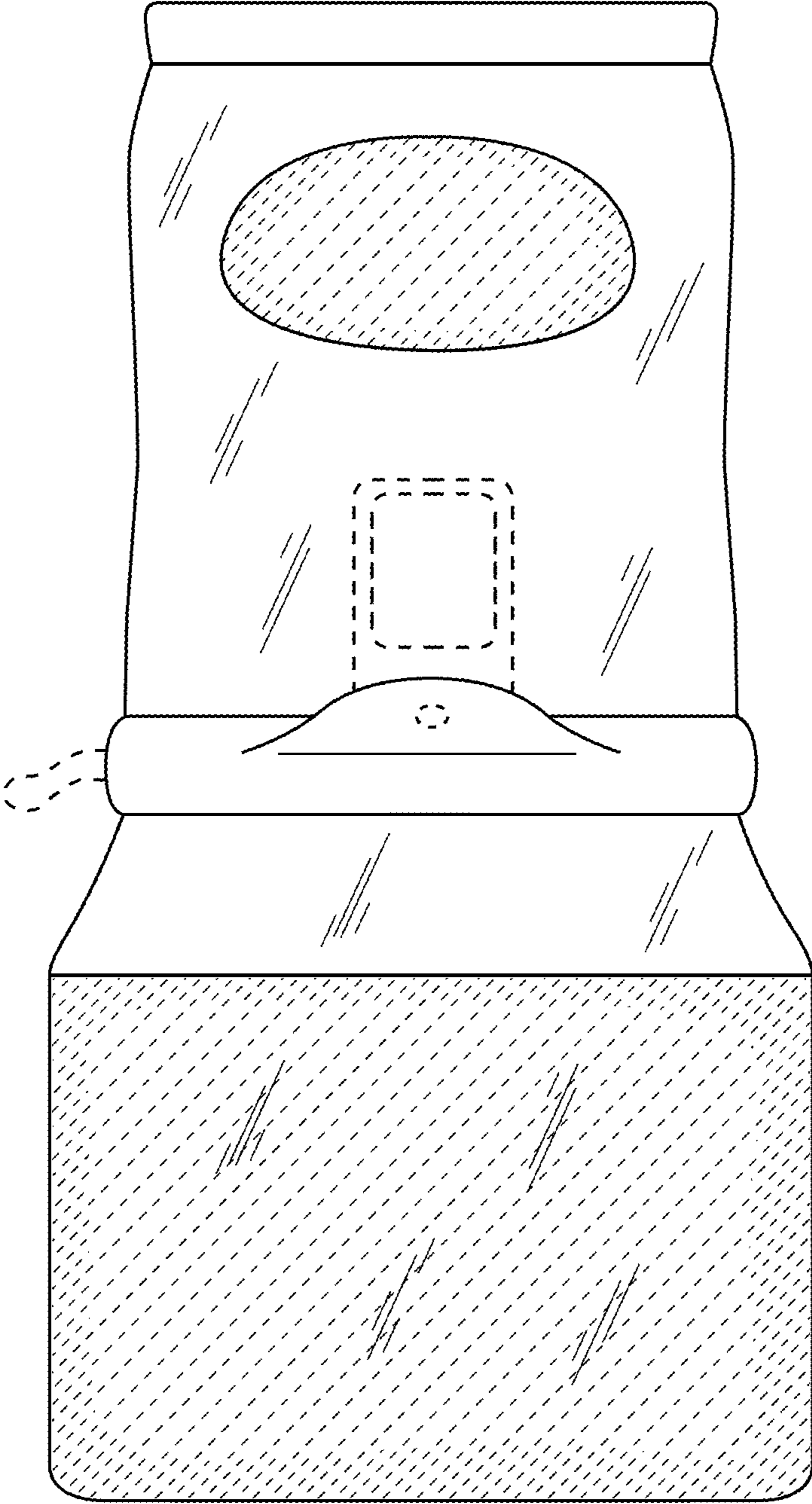


FIG. 14

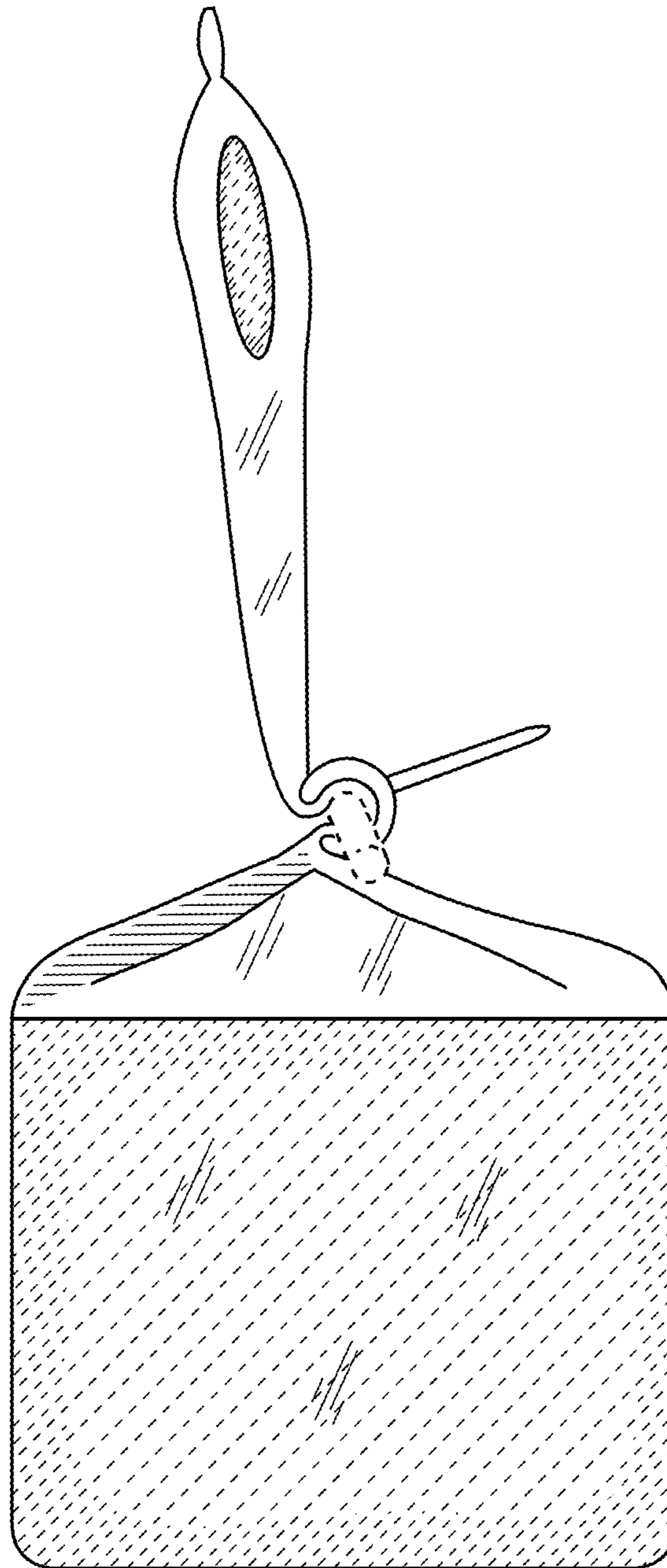


FIG. 15

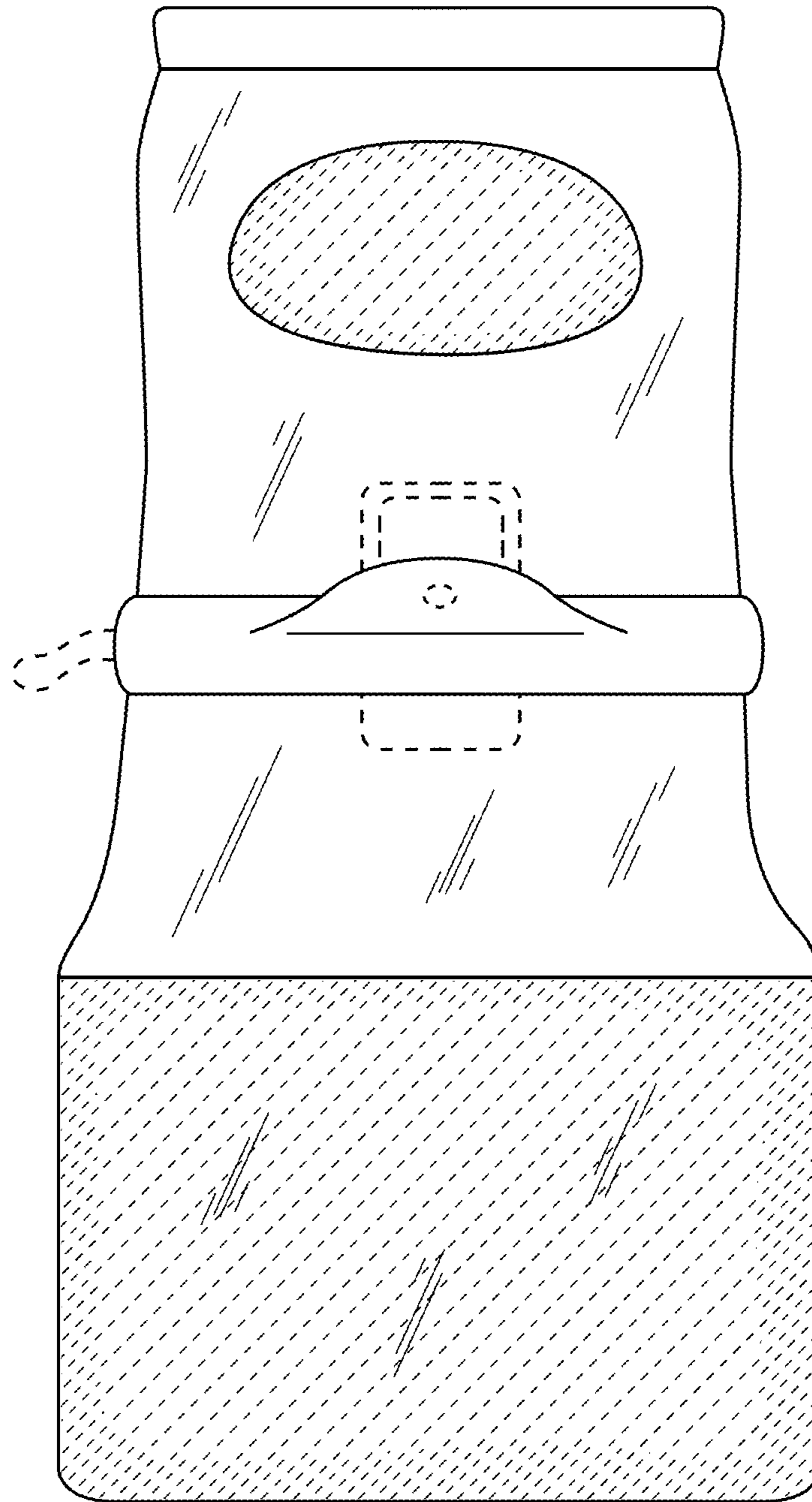


FIG. 16

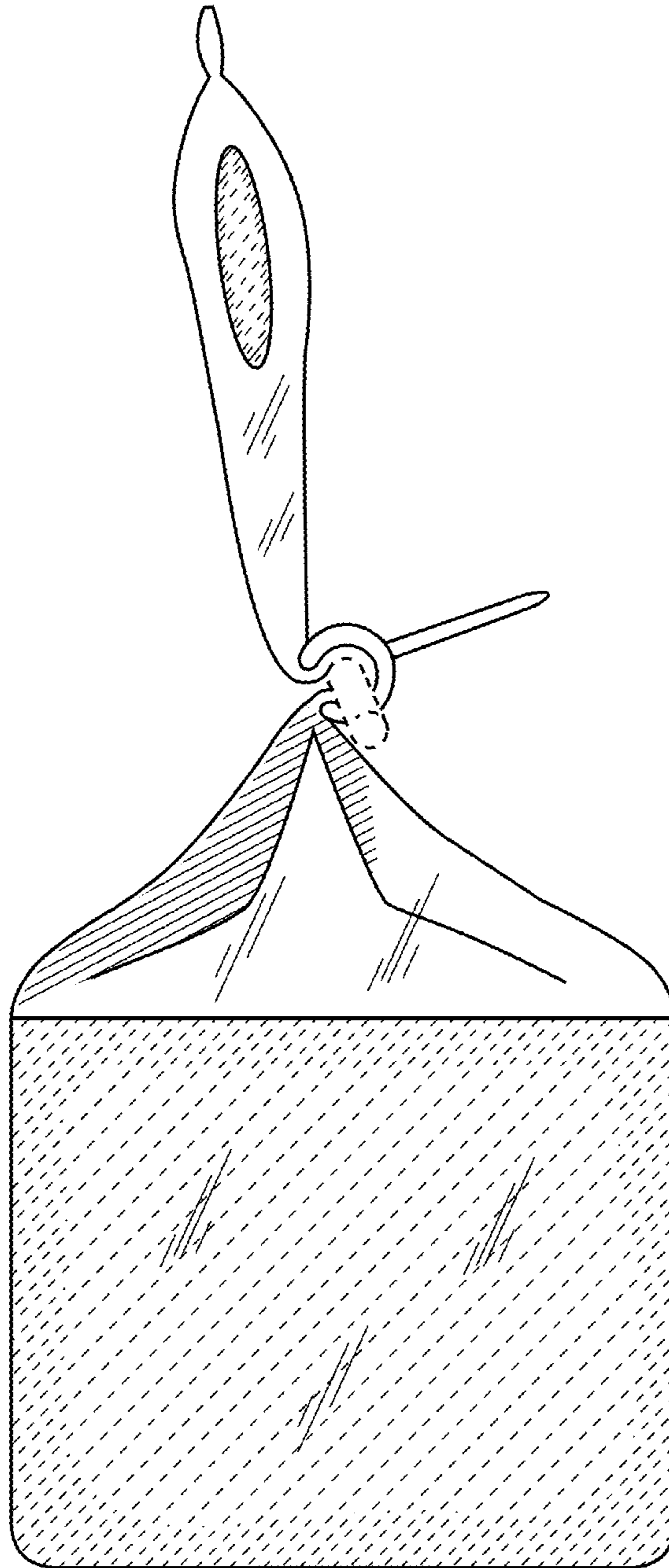




FIG. 17

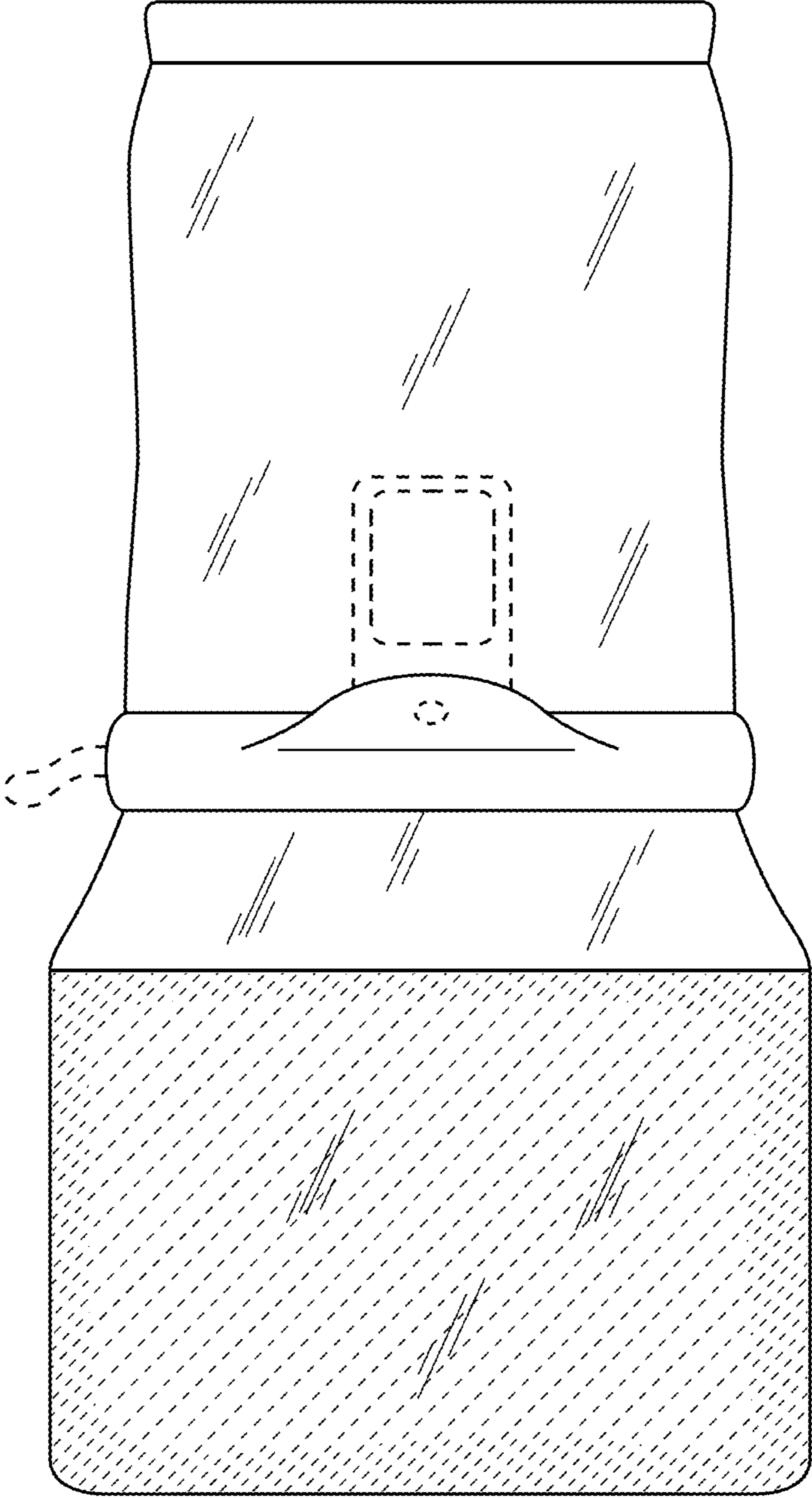


FIG. 18

