



US00D790985S

(12) **United States Design Patent**  
**Barlev**

(10) **Patent No.:** **US D790,985 S**

(45) **Date of Patent:** **\*\* Jul. 4, 2017**

(54) **BAG WITH SIDE SPOUT**

(71) Applicant: **Lior Barlev**, Hackensack, NJ (US)

(72) Inventor: **Lior Barlev**, Hackensack, NJ (US)

(\*\*) Term: **15 Years**

(21) Appl. No.: **29/570,950**

(22) Filed: **Jul. 13, 2016**

(51) **LOC (10) Cl.** ..... **09-05**

(52) **U.S. Cl.**  
USPC ..... **D9/703**

(58) **Field of Classification Search**  
USPC ..... D9/702-714, 761, 731, 414, 416, 418,  
D9/430-432, 438, 520-521, 695-699,  
D9/522; D7/302, 312, 602, 665, 669;  
206/530, 484, 466; 222/92, 105, 215,  
222/145.1, 95, 183, 107, 102, 153.13, 82,  
222/383.1, 385; 383/9, 22, 59-60, 901,  
383/207, 209, 108, 105, 120; D24/118,  
D24/207, 108, 104, 115, 117; 128/114.1,  
128/DIG. 24; 220/660, 662, 495.01,  
220/495.03; 141/331, 333, 334;  
426/106, 115; D28/5, 7, 8.1; 425/190,  
425/191, 461  
CPC ..... B65D 1/00; B65D 1/02; B65D 1/0207;  
B65D 1/0223; B65D 1/0292; B65D 1/09;  
B65D 1/32; B65D 1/323; B65D 3/06;  
B65D 3/02; B65D 3/20; A21C 15/005;  
A21C 15/00; A21C 15/02; A21C 15/007  
See application file for complete search history.

(56) **References Cited**

**U.S. PATENT DOCUMENTS**

D238,248 S \* 12/1975 Westrich ..... D3/202  
D452,144 S \* 12/2001 Tedeschi, Jr. .... D9/707

D487,396 S \* 3/2004 Scharnweber ..... D9/708  
D594,752 S \* 6/2009 Medema ..... D9/707  
D678,777 S \* 3/2013 Neset ..... D9/601  
D711,749 S \* 8/2014 Kim ..... D18/56  
D734,940 S \* 7/2015 Fay ..... D3/202  
D751,848 S \* 3/2016 Price ..... D7/300  
D771,501 S \* 11/2016 Manfredonia ..... D9/712  
D780,595 S \* 3/2017 Barlev ..... D9/703

\* cited by examiner

*Primary Examiner* — Abraham Bahta

(74) *Attorney, Agent, or Firm* — Chan Hubbard PLLC

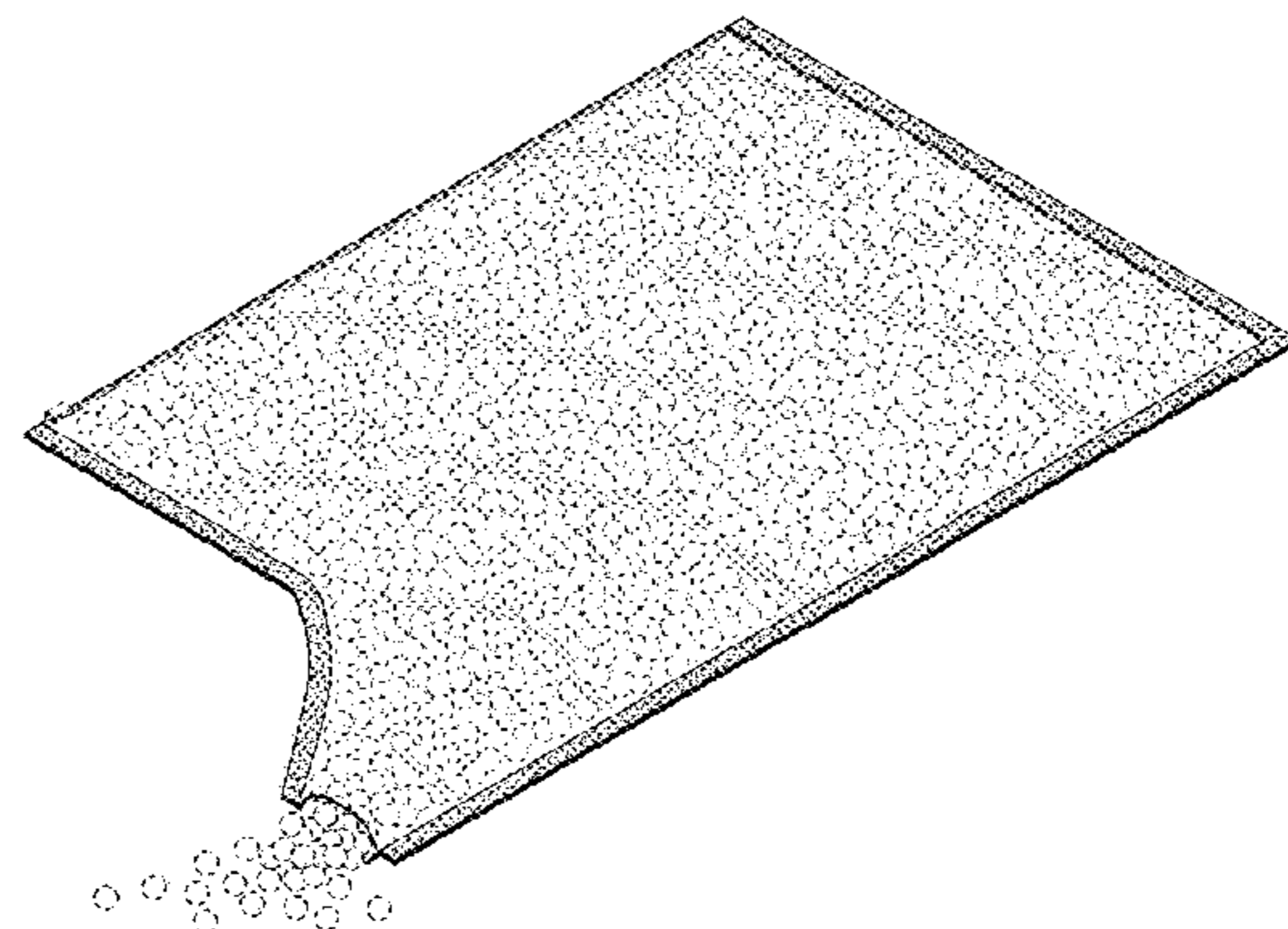
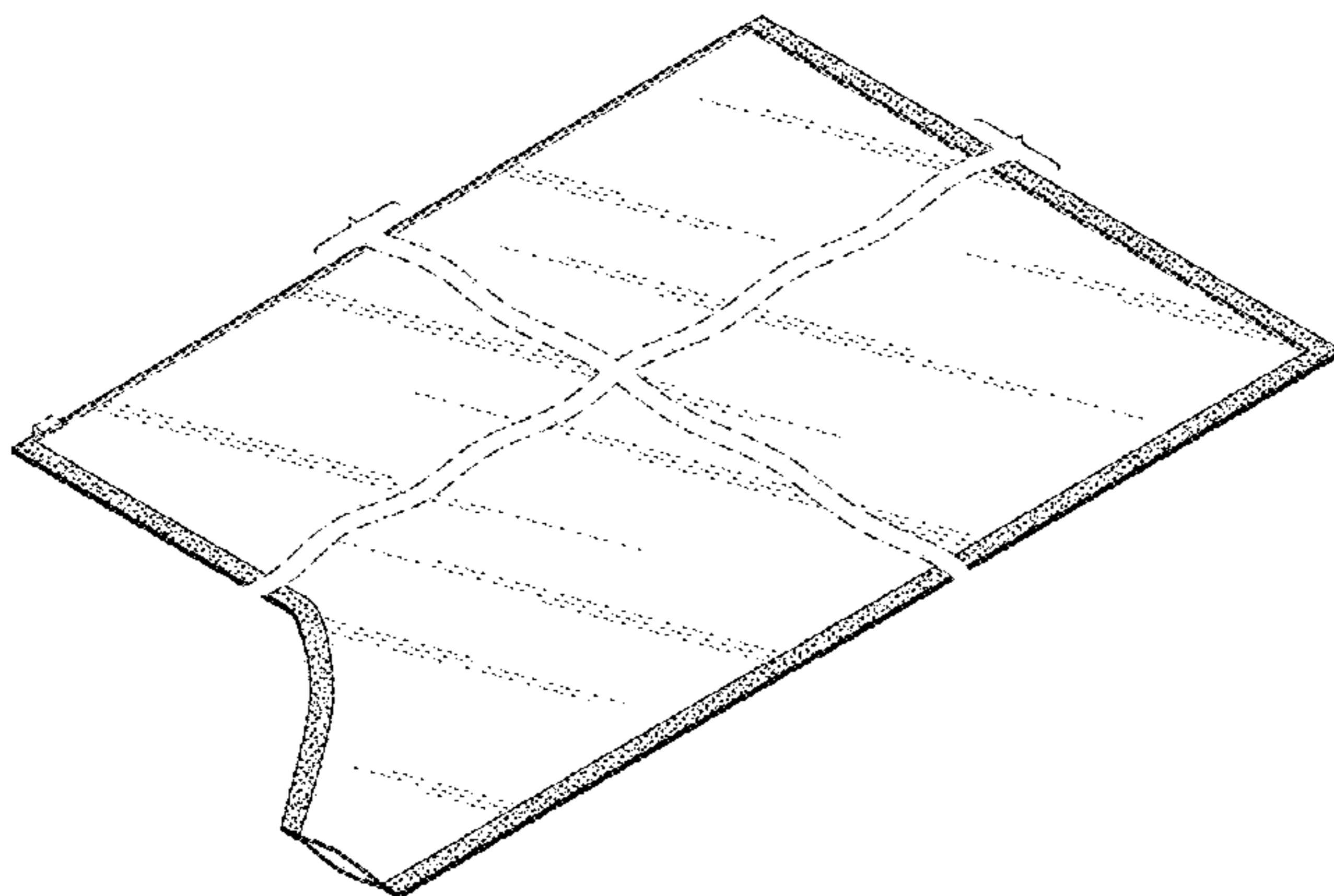
(57) **CLAIM**

The ornamental design for a bag with side spout, as shown and described.

**DESCRIPTION**

FIG. 1 is a front left perspective view of the bag with side spout showing my new design;  
FIG. 2 is a left side view thereof;  
FIG. 3 is a rear elevational view thereof;  
FIG. 4 is a front elevational view thereof;  
FIG. 5 is a top elevational view thereof;  
FIG. 6 is a bottom elevational view thereof; and,  
FIG. 7 is a front left perspective view of the bag with side spout in its environment of use.  
The broken lines showing broken away portions are included for the purpose of illustrating the bag with side spout has no specific length and width and forms no part of the claimed design.  
In FIG. 7 the broken lines showing materials are for the purpose of illustrating environmental use of the bag with side spout and form no part of the claimed design.  
The broken lines showing a zipper is for the purpose of illustrating environmental structure and form no part of the claimed design.

**1 Claim, 5 Drawing Sheets**



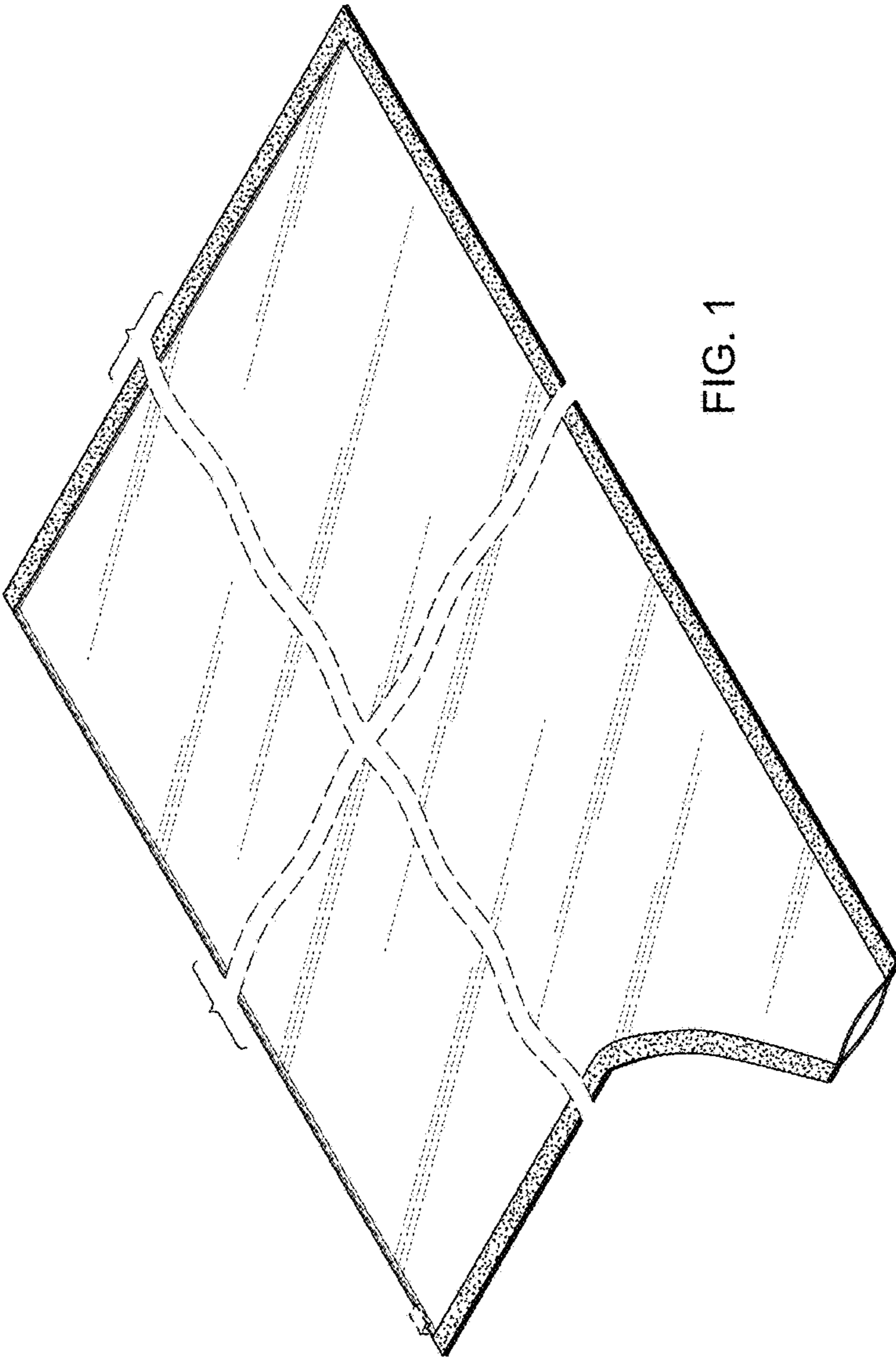


FIG. 1

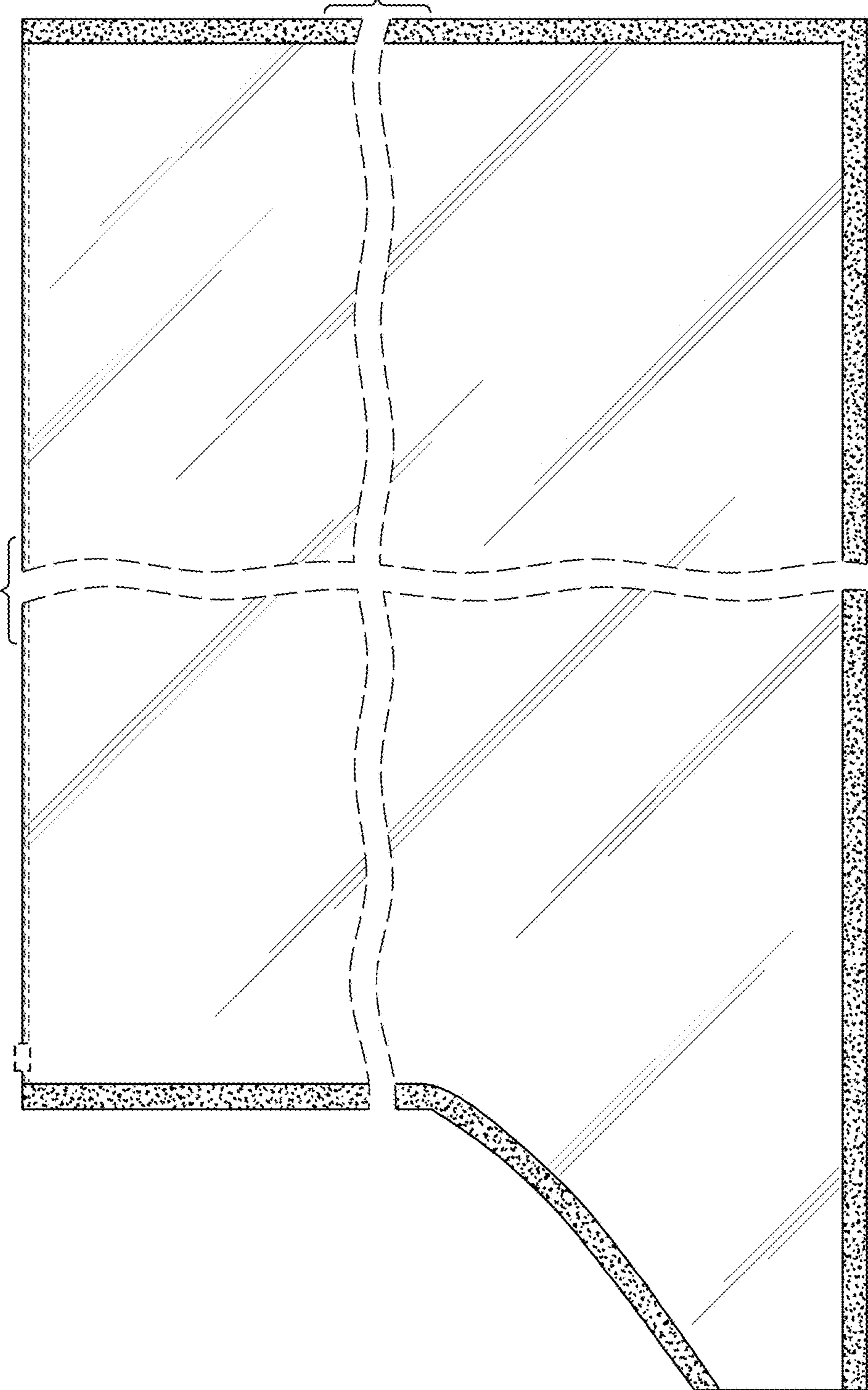


FIG. 2

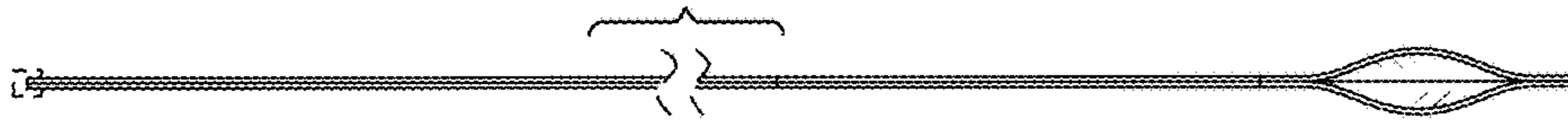


FIG. 4

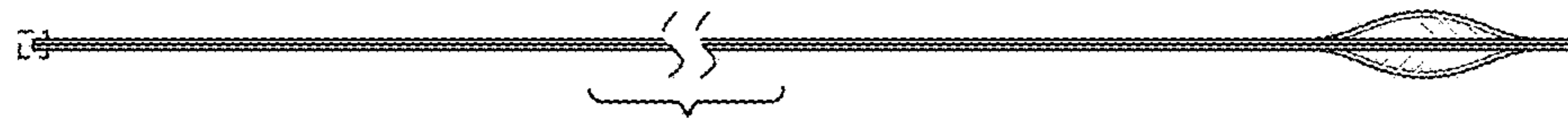


FIG. 3

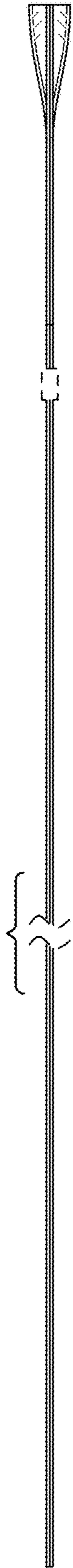


FIG. 5

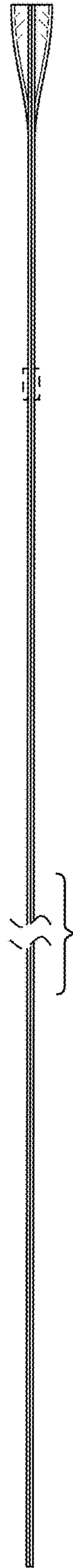


FIG. 6

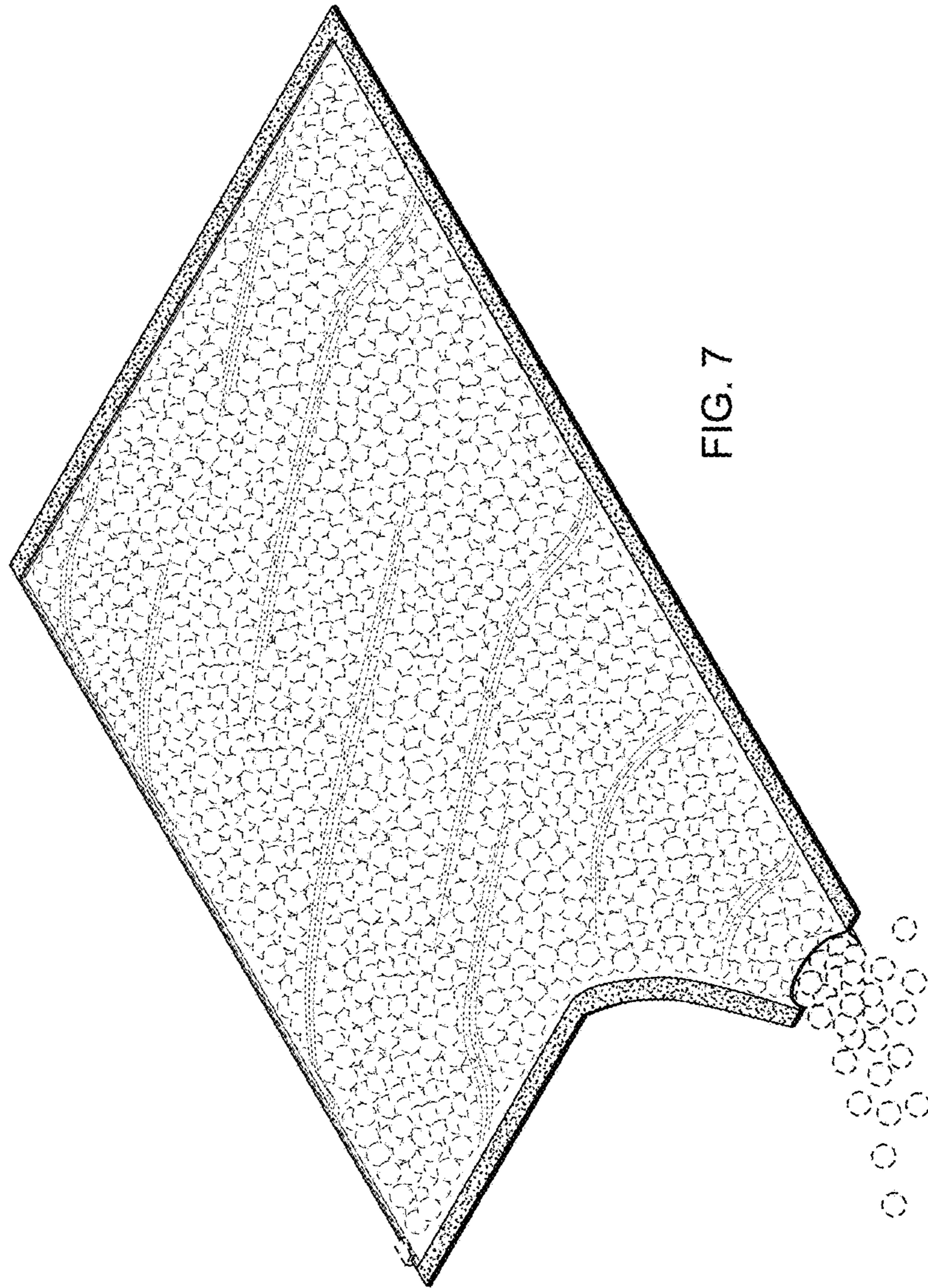


FIG. 7