



US00D790975S

(12) **United States Design Patent**
Allan

(10) **Patent No.:** **US D790,975 S**

(45) **Date of Patent:** **** Jul. 4, 2017**

(54) **BOTTLE**

(71) Applicant: **Conopco, Inc.**, Englewood Cliffs, NJ
(US)

(72) Inventor: **Gillian Margaret Allan**, Pyrmont (AU)

(73) Assignee: **Conopco, Inc.**, Englewood Cliffs, NJ
(US)

(**) Term: **14 Years**

(21) Appl. No.: **29/497,774**

(22) Filed: **Jul. 29, 2014**

(30) **Foreign Application Priority Data**

Feb. 7, 2014 (EM) 002400473-0003

(51) **LOC (10) Cl.** **09-01**

(52) **U.S. Cl.**
USPC **D9/544**; D9/542; D9/573; D9/574

(58) **Field of Classification Search**
USPC D9/516, 530, 541-544, 546, 559, 563,
D9/566, 568, 572-575, 682, 686-687,
D9/694, 715, 719; D7/300, 300.1, 598
CPC B65D 1/00; B65D 1/02; B65D 1/0223;
B65D 23/00; B65D 81/00; B65D
2501/00; B65D 2501/0009; B65D
2501/0081

See application file for complete search history.

(56) **References Cited**

U.S. PATENT DOCUMENTS

D43,507 S 2/1913 Nelson
D62,683 S 7/1923 Weeks
D175,447 S 8/1955 Tucker
D202,219 S 9/1965 Drummond, Jr.
D236,586 S 9/1975 McDonald
D276,791 S * 12/1984 Field D9/535
D278,124 S 3/1985 Coussie

D328,247 S * 7/1992 Robineau D7/321
D335,259 S * 5/1993 Waine D9/574
D366,620 S * 1/1996 Kuzma D9/542
D497,314 S 10/2004 Dea
D530,620 S * 10/2006 Owens D9/566
D531,044 S * 10/2006 Owens D9/566
D531,045 S * 10/2006 Owens D9/566
D531,515 S * 11/2006 Owens D9/566
D533,072 S 12/2006 Kelly
D545,212 S * 6/2007 Kelly D9/566
D591,607 S 5/2009 Marotti
D626,003 S * 10/2010 Pless D9/520
D673,613 S 1/2013 Murphy
D685,645 S 7/2013 DeMarco
D685,646 S 7/2013 DeMarco
D691,051 S 10/2013 Murphy
D695,621 S 12/2013 Marotti
D714,650 S 10/2014 Bruscha
D715,152 S 10/2014 Maskell

(Continued)

OTHER PUBLICATIONS

La Beaute Japon : Salon Deapres Bottle; Sep. 2010 (Photo).

Primary Examiner — Dana L Meyrow

(74) *Attorney, Agent, or Firm* — Karen E. Klumas

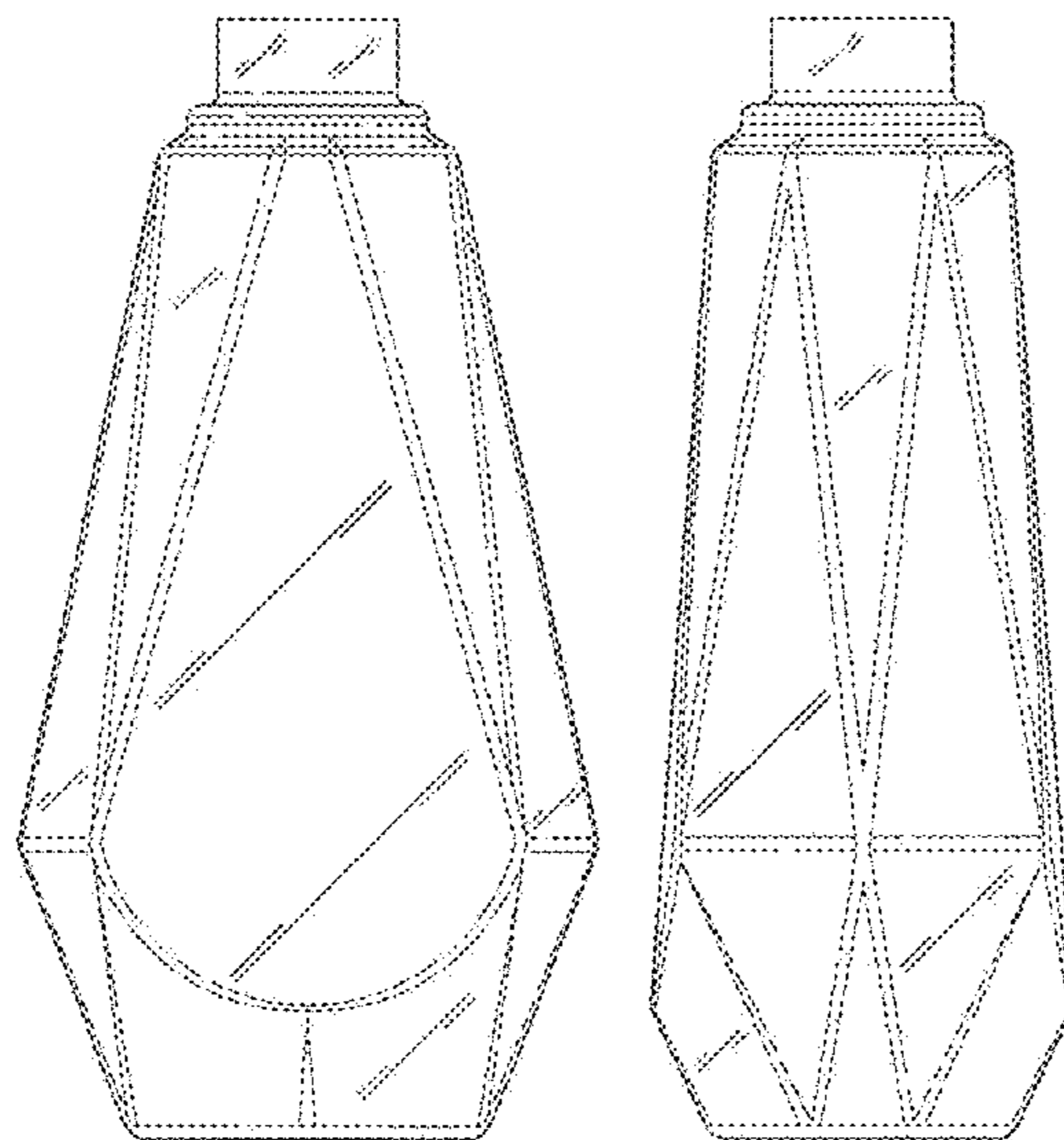
(57) **CLAIM**

The ornamental design for a bottle, as shown and described.

DESCRIPTION

FIG. 1 is a perspective view from above and one side;
FIG. 2 is a front elevational view;
FIG. 3 is a rear elevational view;
FIG. 4 is a side elevational view;
FIG. 5 is an elevational view of the other side;
FIG. 6 is a top plan view; and,
FIG. 7 is an underneath plan view.
In FIG. 7, the dot-dot-dash broken line defines the bounds of the claimed design and forms no part thereof.

1 Claim, 5 Drawing Sheets



(56)

References Cited

U.S. PATENT DOCUMENTS

D747,972 S * 1/2016 Allan D9/682
D748,490 S * 2/2016 Allan D9/563

* cited by examiner

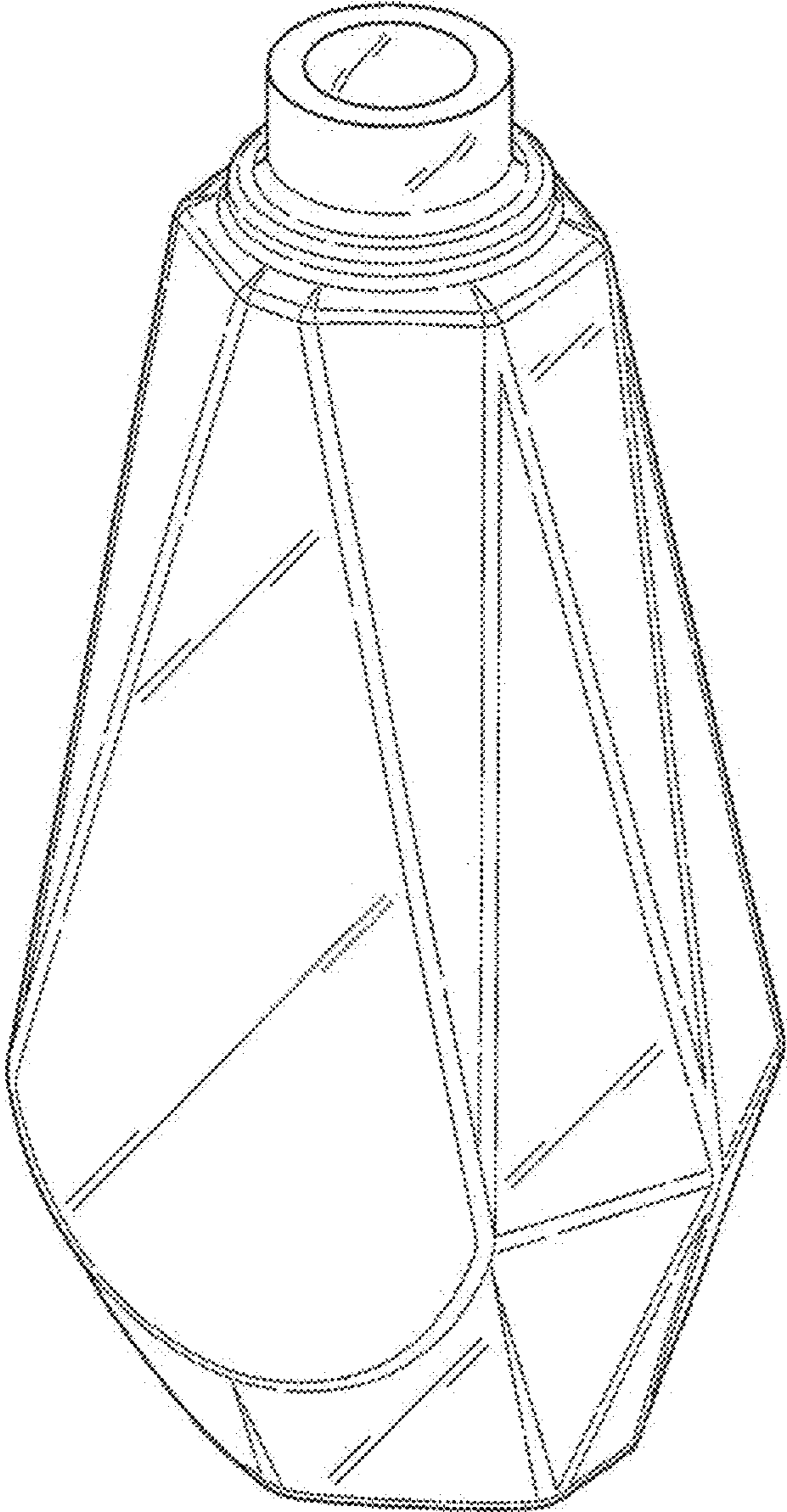


Fig. 1

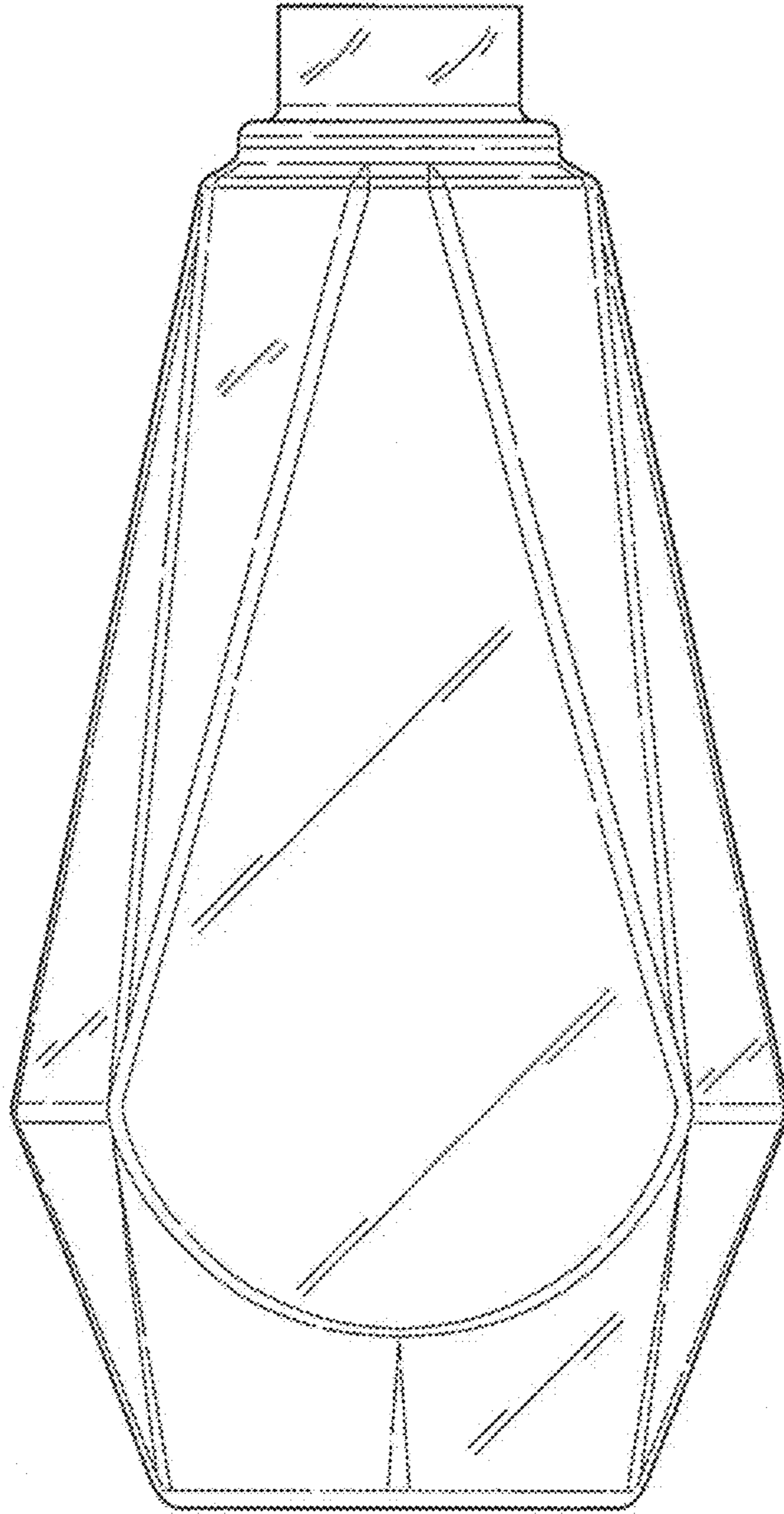


Fig. 2

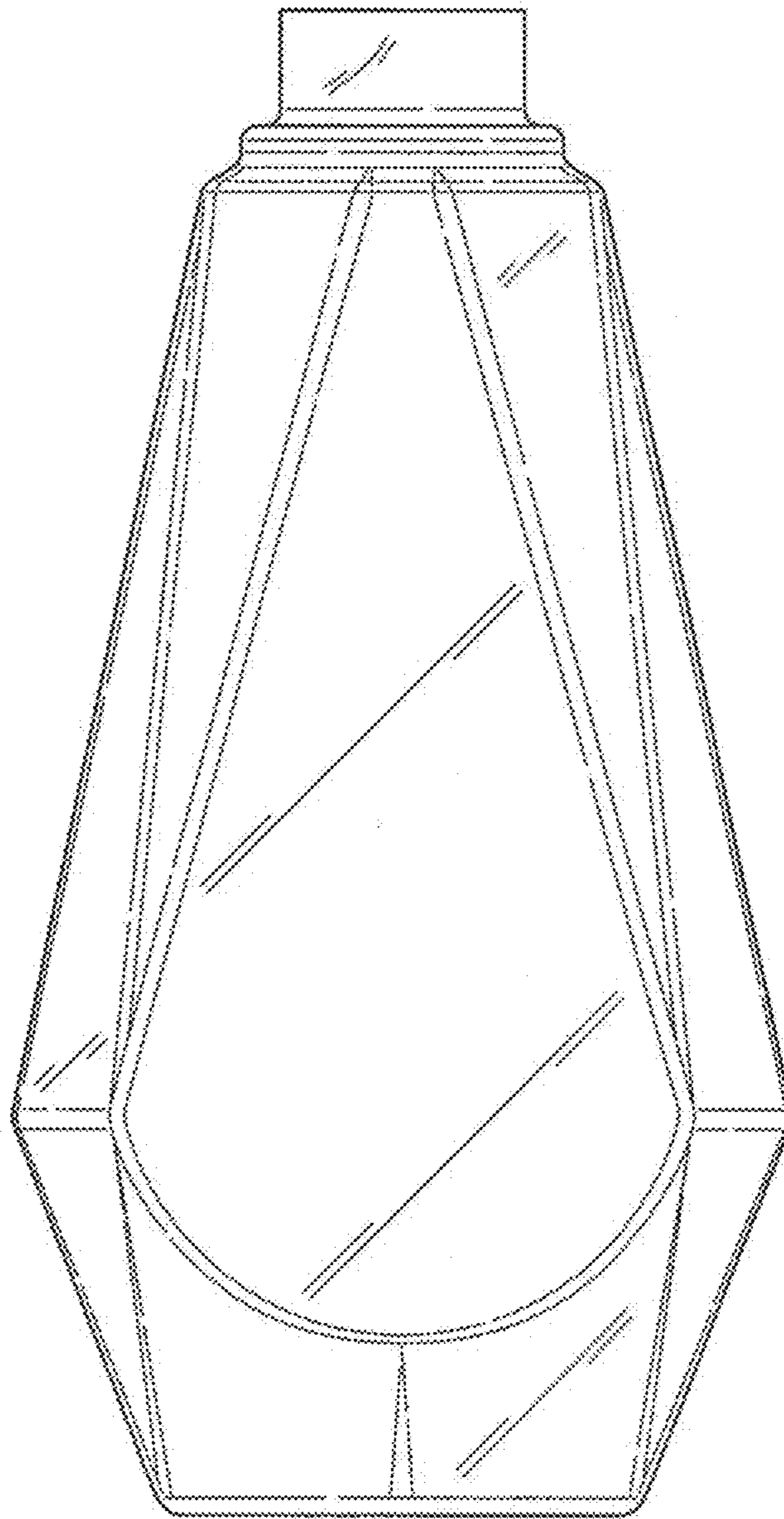


Fig. 3

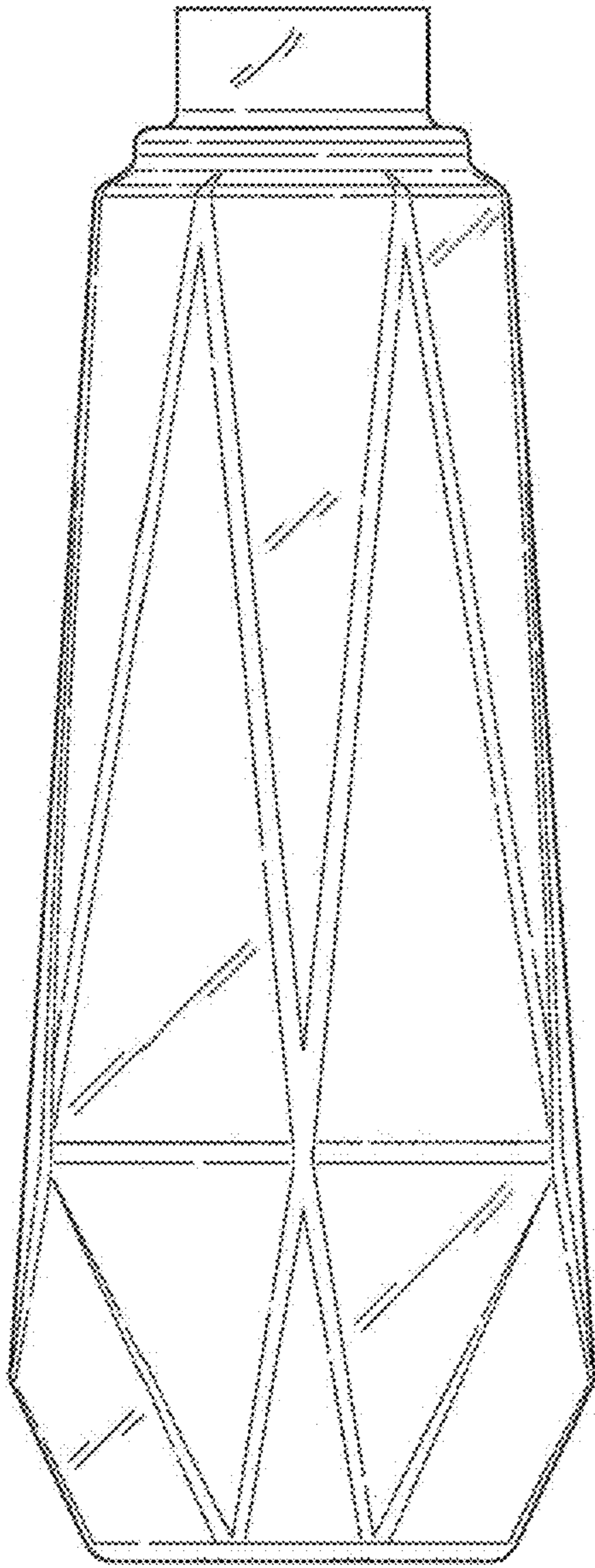


Fig. 4

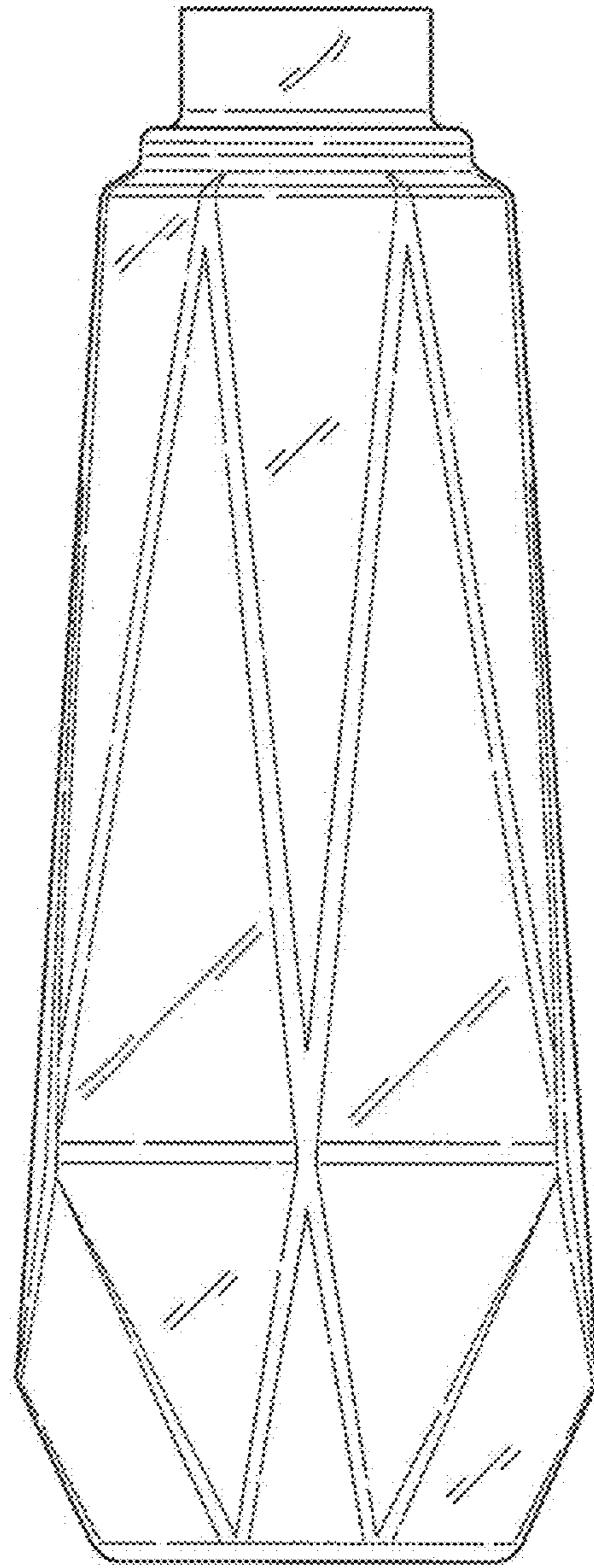


Fig. 5

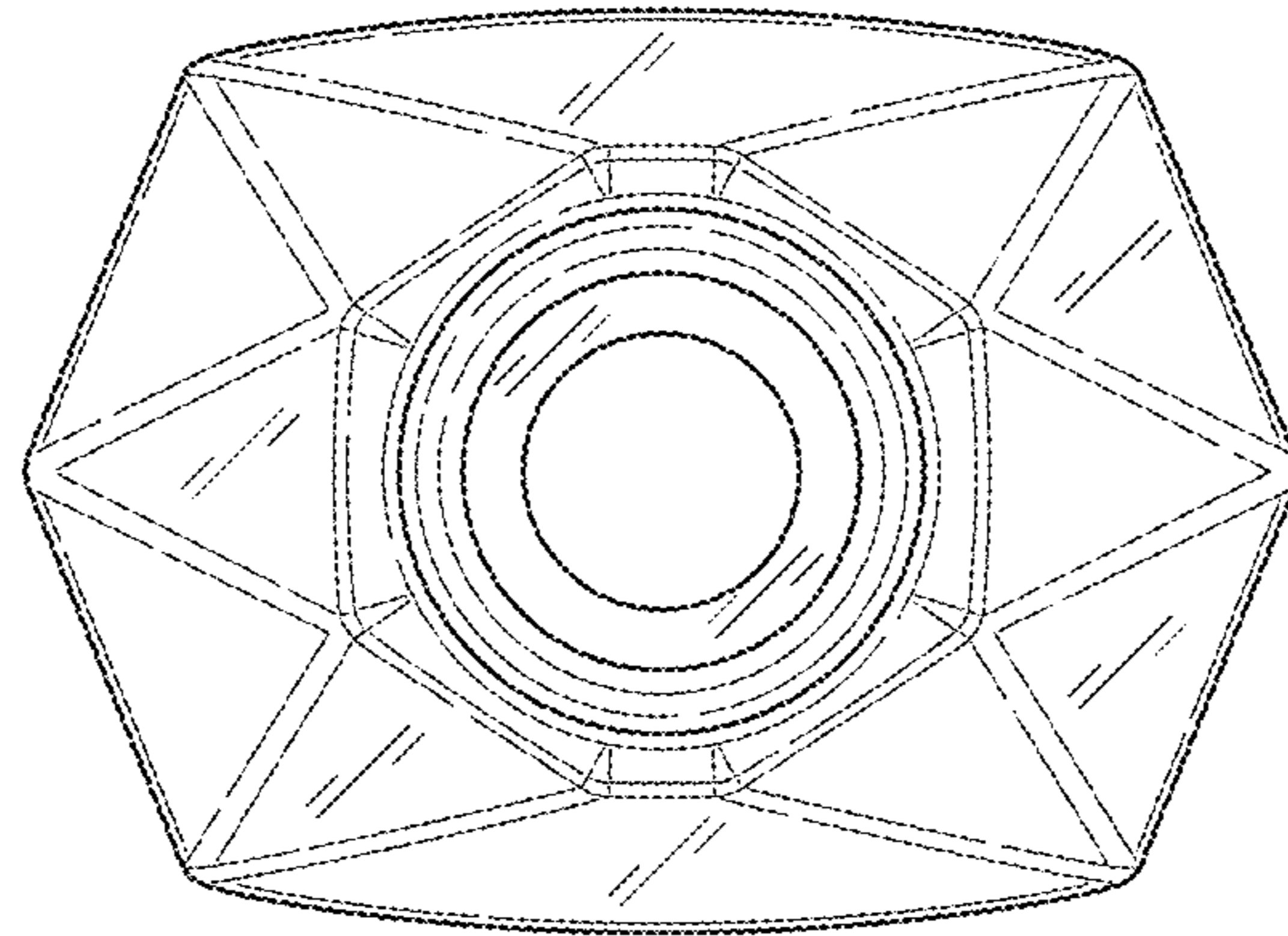


Fig. 6

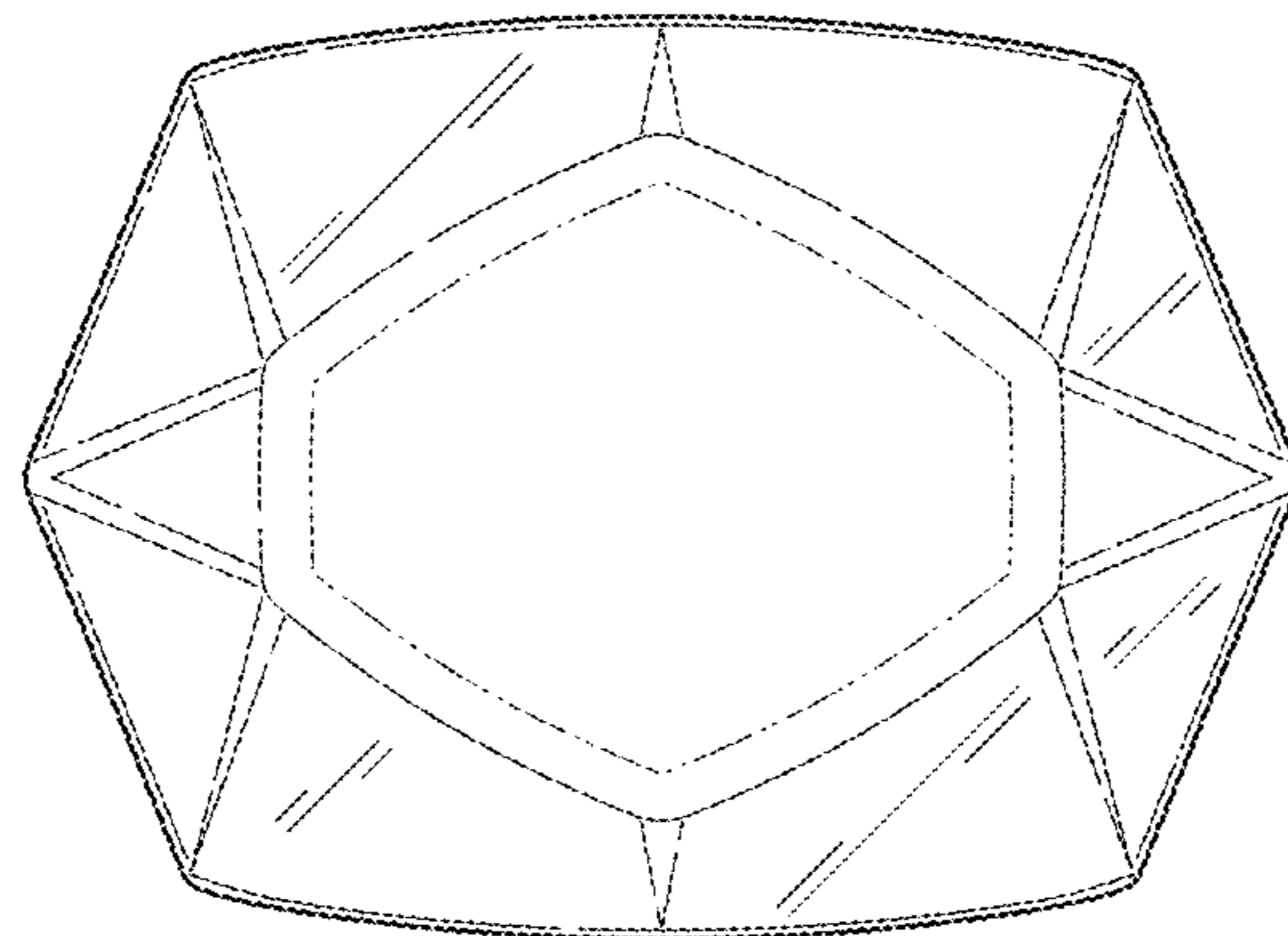


Fig. 7