



US00D790972S

(12) **United States Design Patent** (10) **Patent No.:** **US D790,972 S**
Keller (45) **Date of Patent:** **** Jul. 4, 2017**

(54) **BOTTLE WITH FLIP TOP CLOSURE**
(71) Applicant: **Pfizer Inc.**, New York, NY (US)
(72) Inventor: **Matthew Clifton Keller**, Richmond, VA (US)
(73) Assignee: **Pfizer Inc.**, New York, NY (US)
(**) Term: **14 Years**
(21) Appl. No.: **29/518,355**
(22) Filed: **Feb. 23, 2015**
(51) **LOC (10) Cl.** **09-01**
(52) **U.S. Cl.**
USPC **D9/529**
(58) **Field of Classification Search**
USPC D9/529, 544, 552, 565, 435, 445, 499,
D9/530, 542, 505, 559, 766, 767, 773,
D9/777, 780, 782, 783, 523, 525, 566,
D9/447, 449, 567, 728, 539, 551, 558,
D9/521
See application file for complete search history.

months ago, no production date given, [online], [site visited Nov. 7, 2016], Available from Internet, <URL: <http://www.kraftrecipes.com/products/mio-1-08-oz-beverage-liquid-con-1467.aspx>>.*
360 ml Pet Plastic Bottle with Silicone Valve Cap, posted on passenpack.en.made-in-china.com, no posted date given, no production date given, [online], [site visited on Nov. 7, 2016], Available from Internet, <URL: <http://passenpack.en.made-in-china.com/product/NXSQOsgAfLhr/China-360ml-Pet-Plastic-Bottle-with-Silicone-Valve-Cap-PPC-PHB-30-.html>>.*
Squeeze Bottles, posted on siliconebottle.cn, no posted date given, no production date given, [online], [site visited Nov. 7, 2016], Available from Internet, <URL: http://www.siliconebottle.cn/squeeze_bottles_1097.html>.*

* cited by examiner

Primary Examiner — Eric Goodman
Assistant Examiner — Fritzgerald Butac
(74) *Attorney, Agent, or Firm* — Maureen P. O'Brien;
Jeffrey M. Gold

(56) **References Cited**
U.S. PATENT DOCUMENTS

D407,316 S	*	3/1999	Zaksenberg	D9/523
D614,024 S	*	4/2010	Eason	D24/110
D638,714 S	*	5/2011	de Cleir	D9/529
D638,715 S	*	5/2011	Albaum	D9/529
D645,734 S	*	9/2011	Eason	D24/110
D650,686 S	*	12/2011	de Cleir	D9/529
D651,903 S	*	1/2012	Teller	D9/521
D720,622 S	*	1/2015	Gelov	D9/449
D720,623 S	*	1/2015	Bunce	D9/449
D737,684 S	*	9/2015	de Cleir	D9/542
D741,182 S	*	10/2015	Davis	D9/529
D752,442 S	*	3/2016	O'Donahue	D9/529
D755,054 S	*	5/2016	Davis	D9/529

OTHER PUBLICATIONS

MiO Ornage Tangerine Liquid Water Enhancer 6-1.08 fl. oz. Bottles, posted on kraftrecipes.com, earliest product review five

(57) **CLAIM**

The ornamental design for a bottle with flip top closure, as shown and described.

DESCRIPTION

FIG. 1 is a perspective view of the bottle with flip top closure showing our new design;
FIG. 2 is a front view thereof;
FIG. 3 is a rear view thereof;
FIG. 4 is a left side view thereof;
FIG. 5 is a right side view thereof;
FIG. 6 is a top view thereof; and,
FIG. 7 is a bottom view thereof.
The broken line showing of the bottle with flip top closure is included for the purpose of illustrating portions of the article and forms no part of the claimed design.

1 Claim, 3 Drawing Sheets

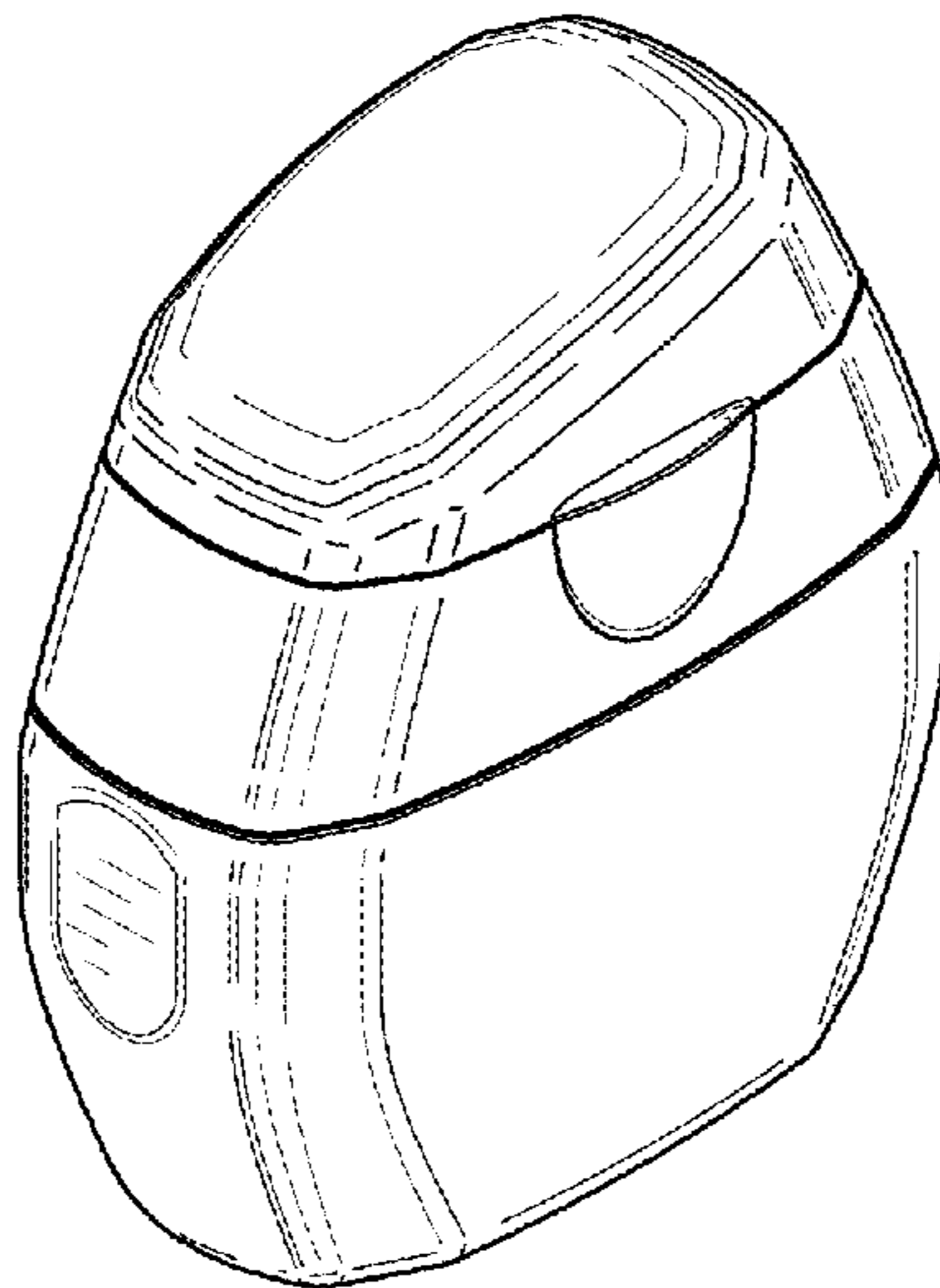


FIG. 1

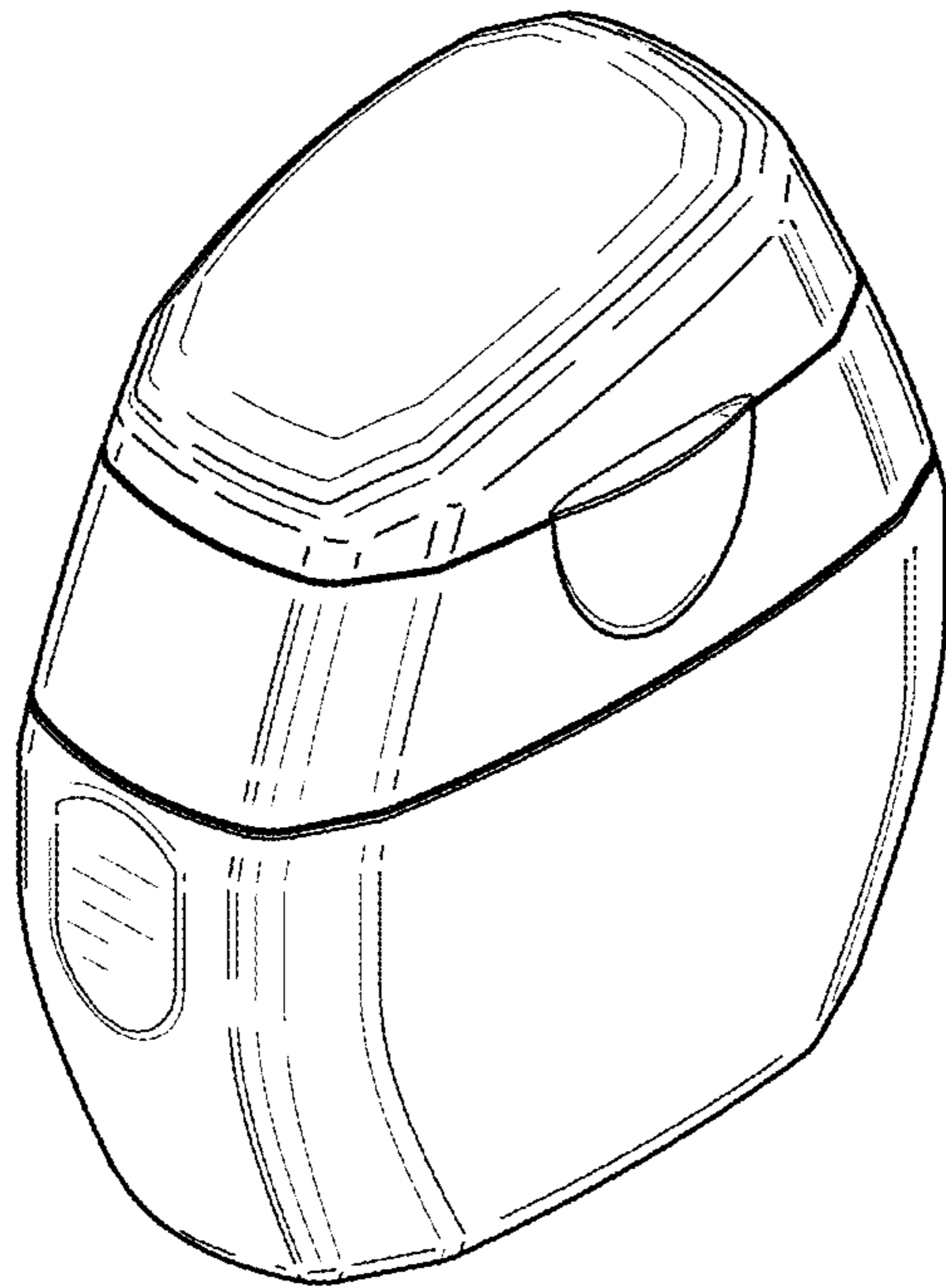


FIG. 2

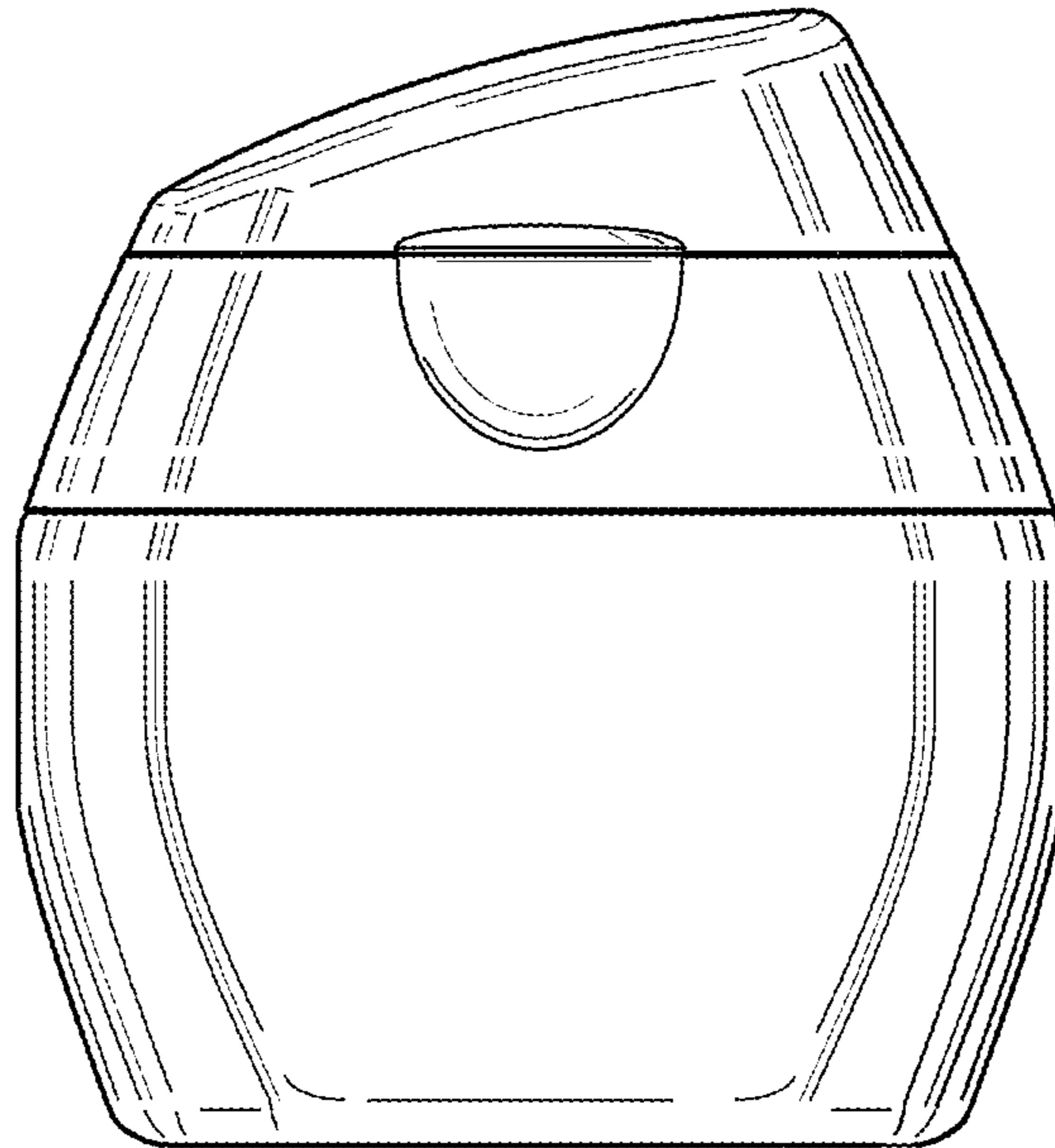


FIG. 3

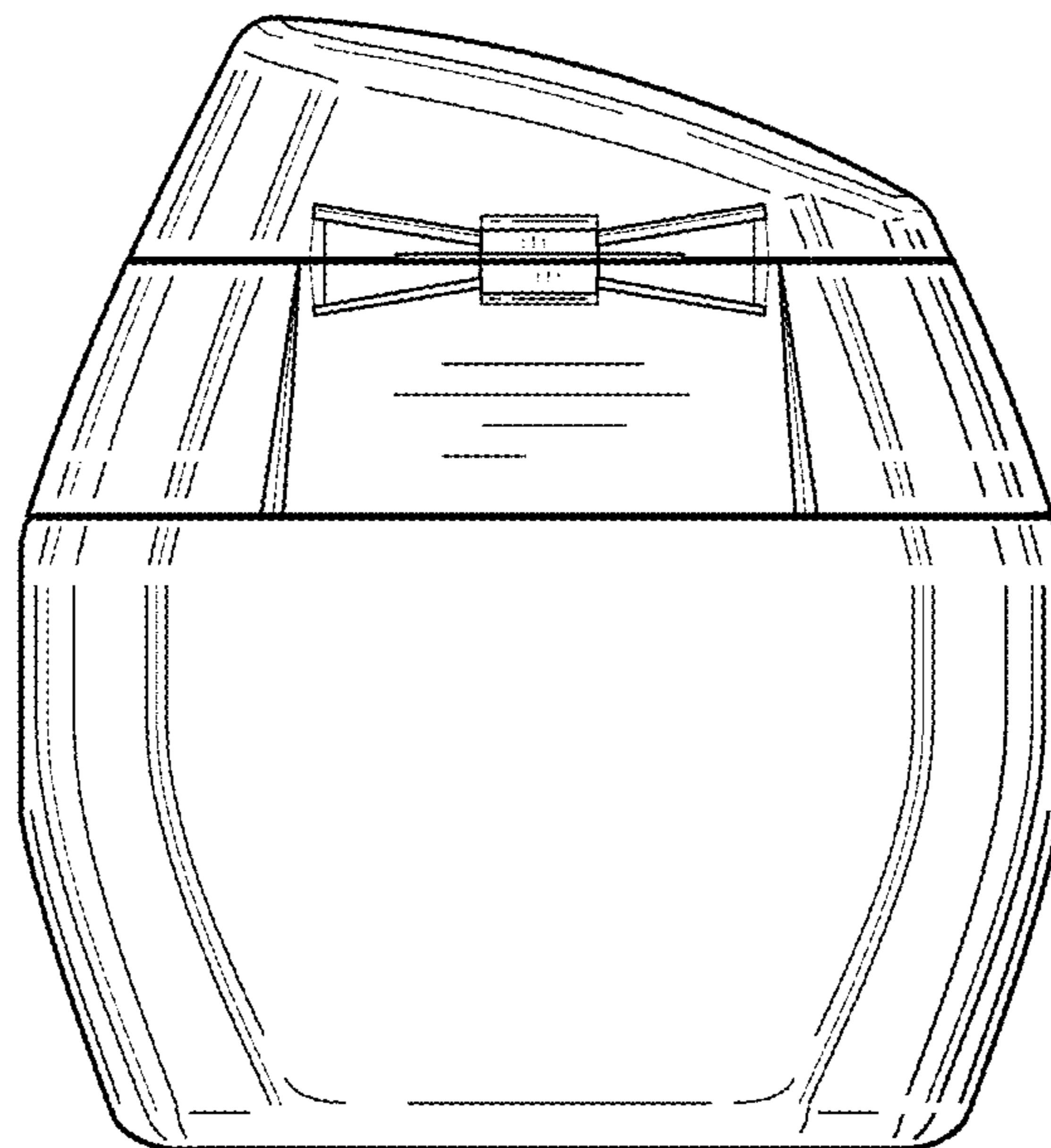


FIG. 4

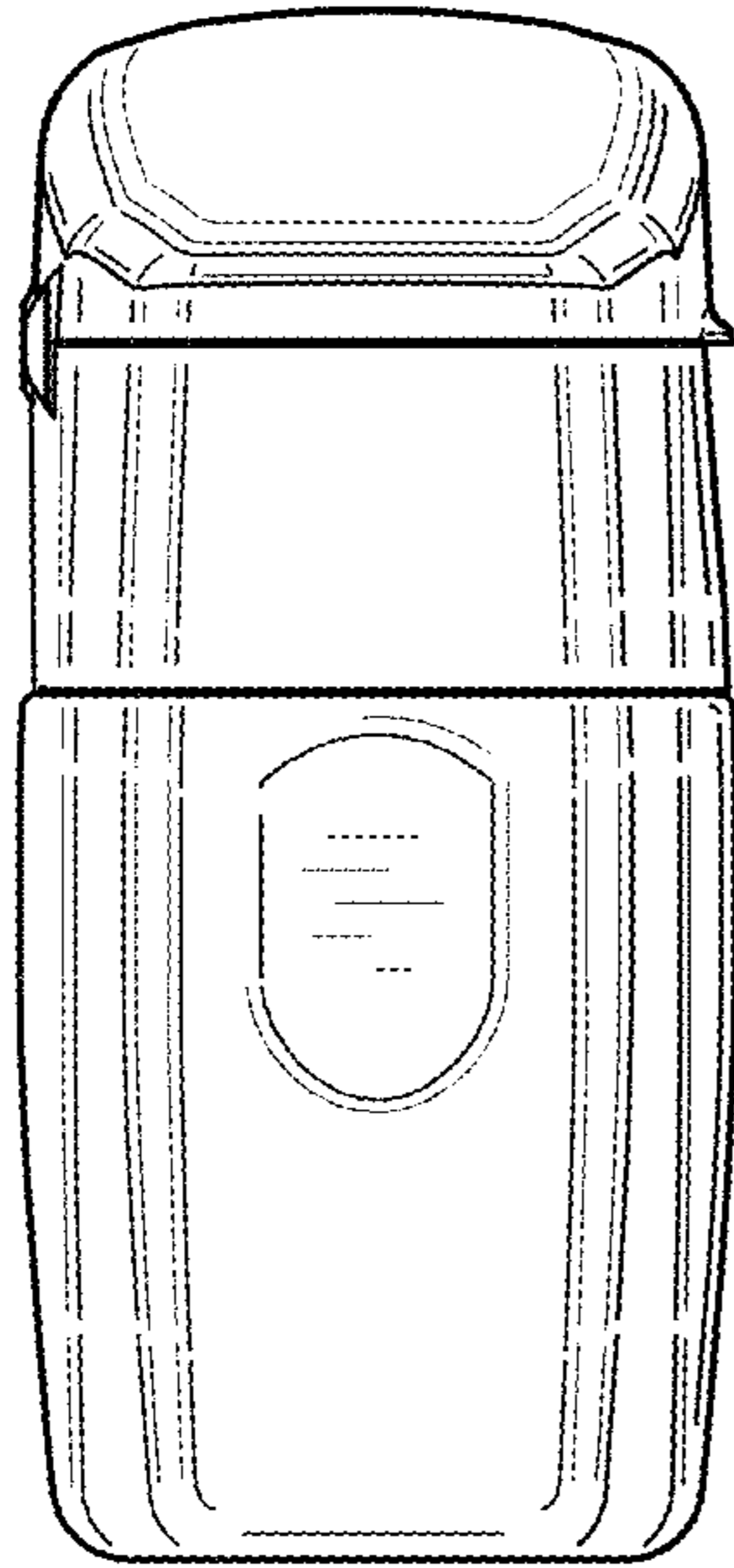


FIG. 5

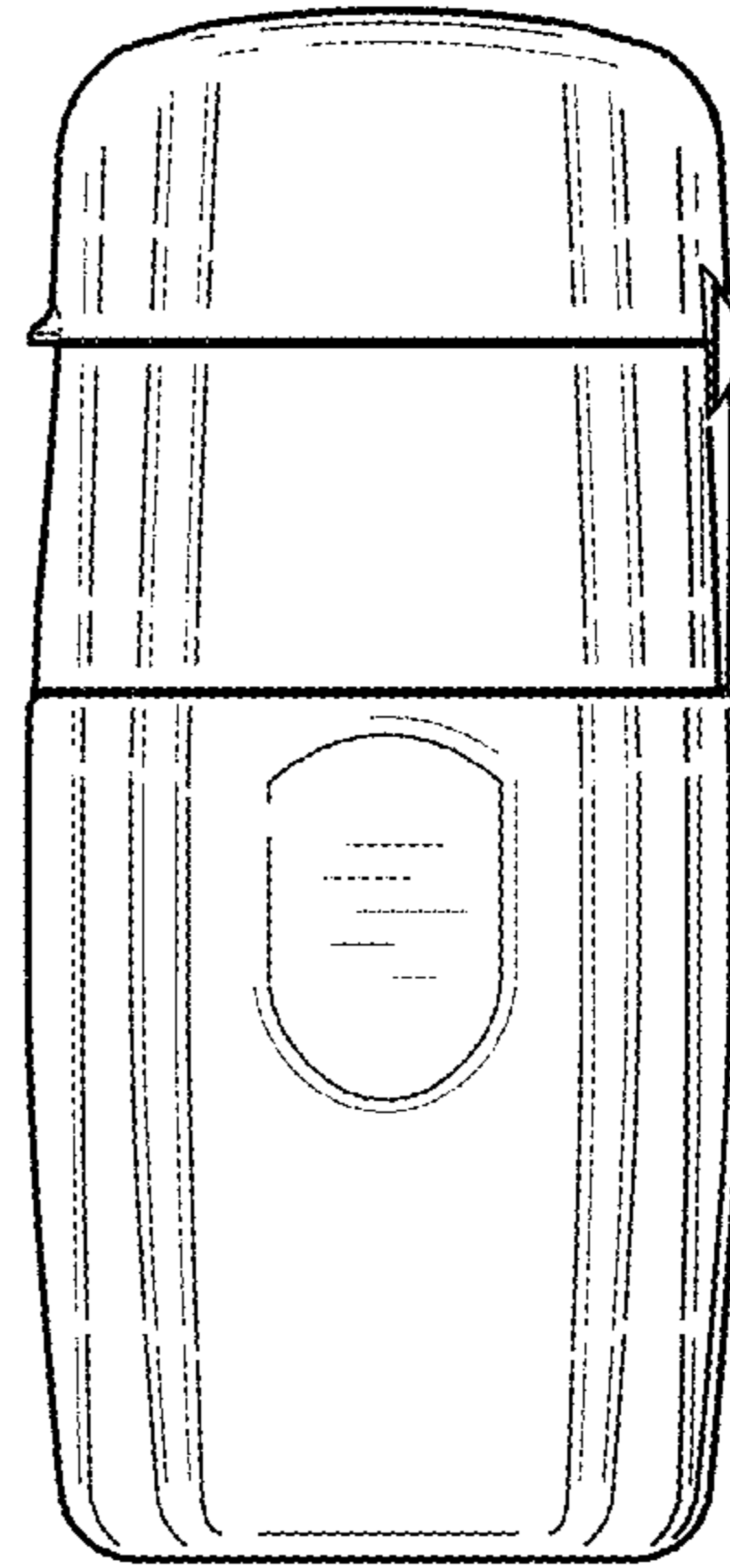


FIG. 6

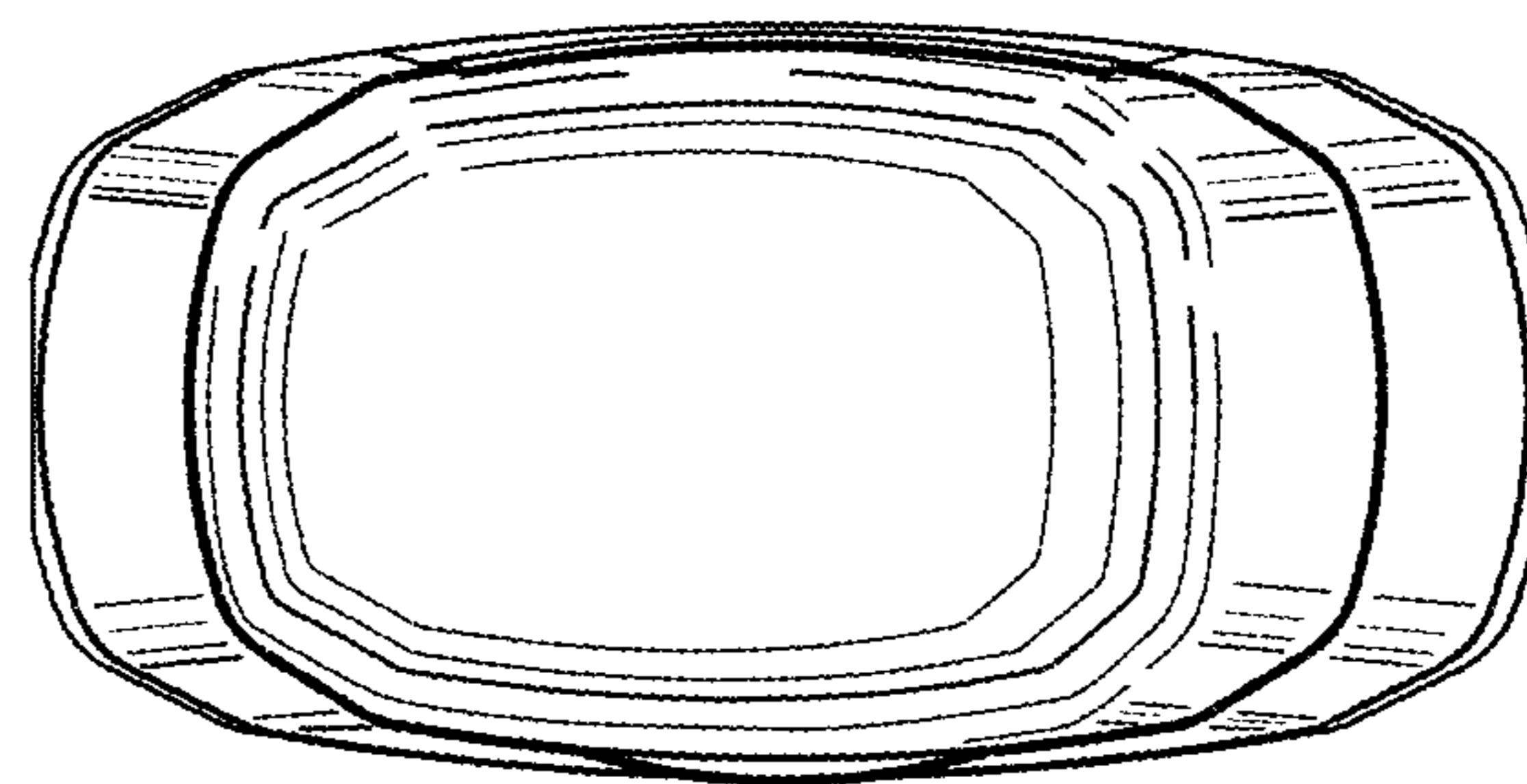


FIG. 7

