



US00D790967S

(12) **United States Design Patent**
González

(10) **Patent No.:** **US D790,967 S**

(45) **Date of Patent:** **** Jul. 4, 2017**

(54) **BOTTLE**

(71) Applicant: **GEAS DESARROLLOS**
EMPRESARIALES, S.L., Burgos (ES)

(72) Inventor: **Gerardo Santaolalla González**, Burgos (ES)

(**) Term: **15 Years**

(21) Appl. No.: **29/531,199**

(22) Filed: **Jun. 24, 2015**

(51) **LOC (10) Cl.** **09-01**

(52) **U.S. Cl.**
USPC **D9/500; D9/520**

(58) **Field of Classification Search**
USPC D9/500, 503–505, 516, 530, 537, 539,
D9/544–545, 549, 558, 715, 719;
D7/300, 300.1, 598
CPC B65D 1/00; B65D 1/02; B65D 1/0223;
B65D 23/00; B65D 81/00; B65D
2501/00; B65D 2501/0009
See application file for complete search history.

(56) **References Cited**

U.S. PATENT DOCUMENTS

D38,139 S * 7/1906 Buton D9/500
D195,532 S * 6/1963 Otto D9/529

D418,051 S * 12/1999 van Wyk D9/500
D434,661 S * 12/2000 Zambrano V. D9/500
D497,310 S * 10/2004 Kratko D9/500
D668,955 S * 10/2012 Zuchetta D9/500
D675,098 S * 1/2013 Gonzalez Rodriguez D9/500
D679,187 S * 4/2013 Zuchetta D9/500
D679,188 S * 4/2013 Zuchetta D9/500
D704,068 S * 5/2014 Robin-Prevallee D9/500

* cited by examiner

Primary Examiner — Dana L Meyrow

(74) *Attorney, Agent, or Firm* — W.R. Samuels Law Pllc;
John Laurence

(57) **CLAIM**

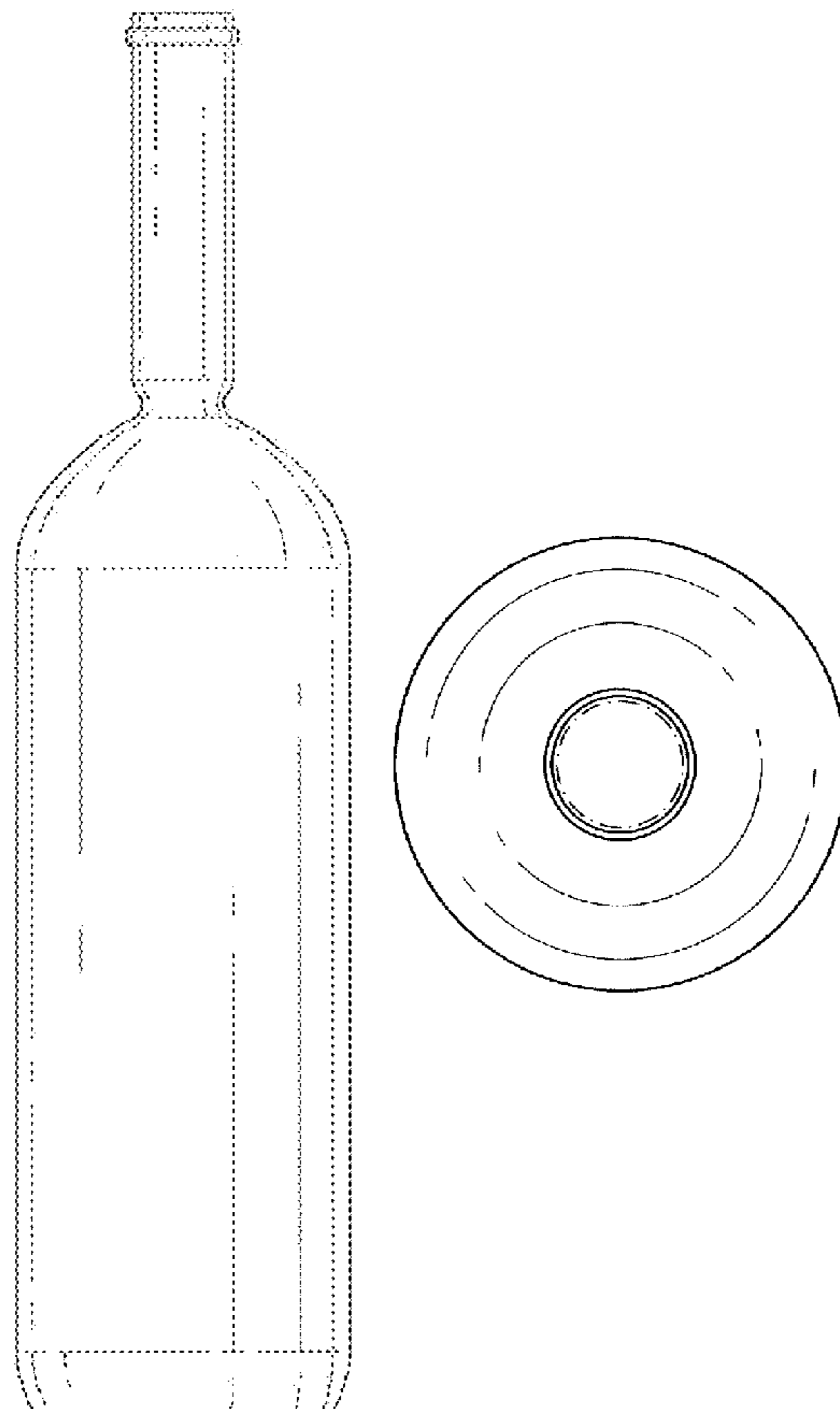
I claim the ornamental design for a bottle, as shown and described.

DESCRIPTION

FIG. 1 is a front perspective view;
FIG. 2 is a front view;
FIG. 3 is a partial bottom perspective view;
FIG. 4 is a top view; and,
FIG. 5 is a bottom view.

The dot-dash broken line(s) in the drawings define the bounds of the claim and form no part thereof.

1 Claim, 2 Drawing Sheets



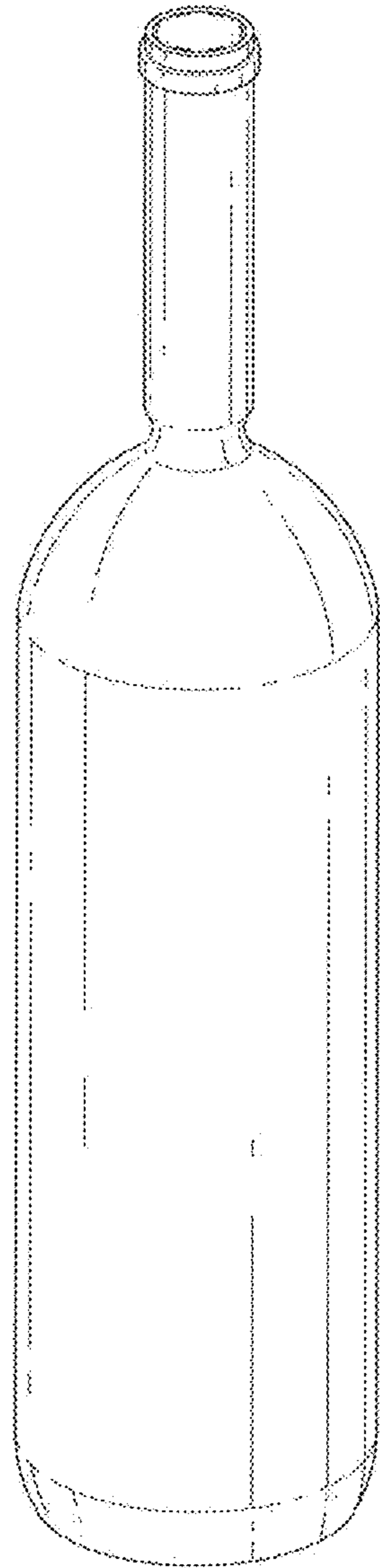


FIG. 1

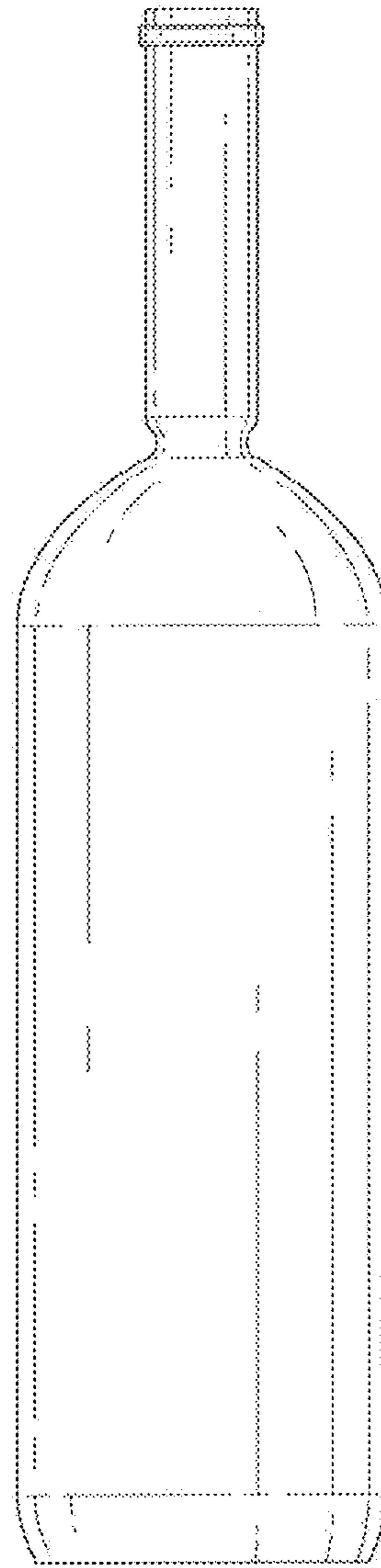


FIG. 2

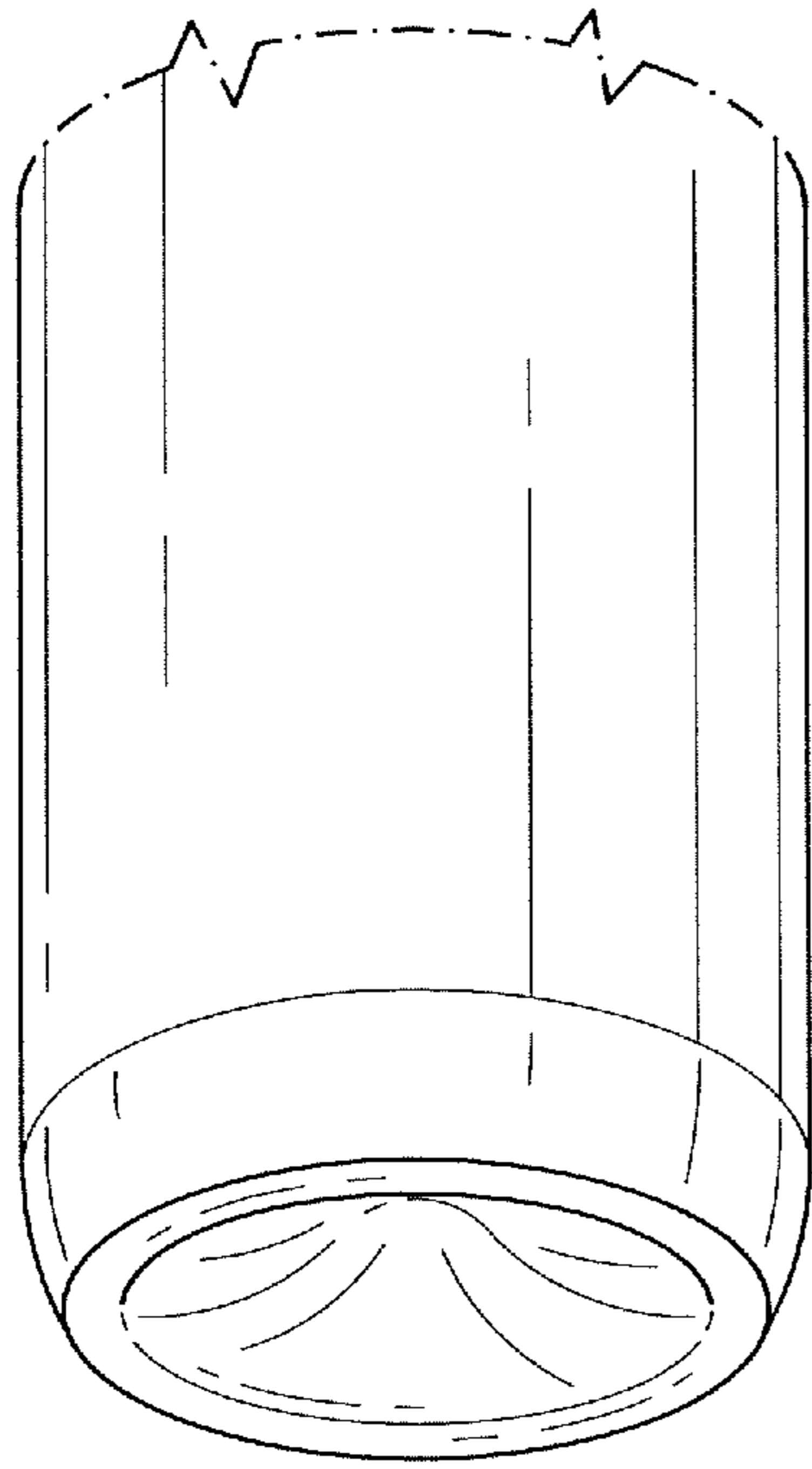


FIG. 3

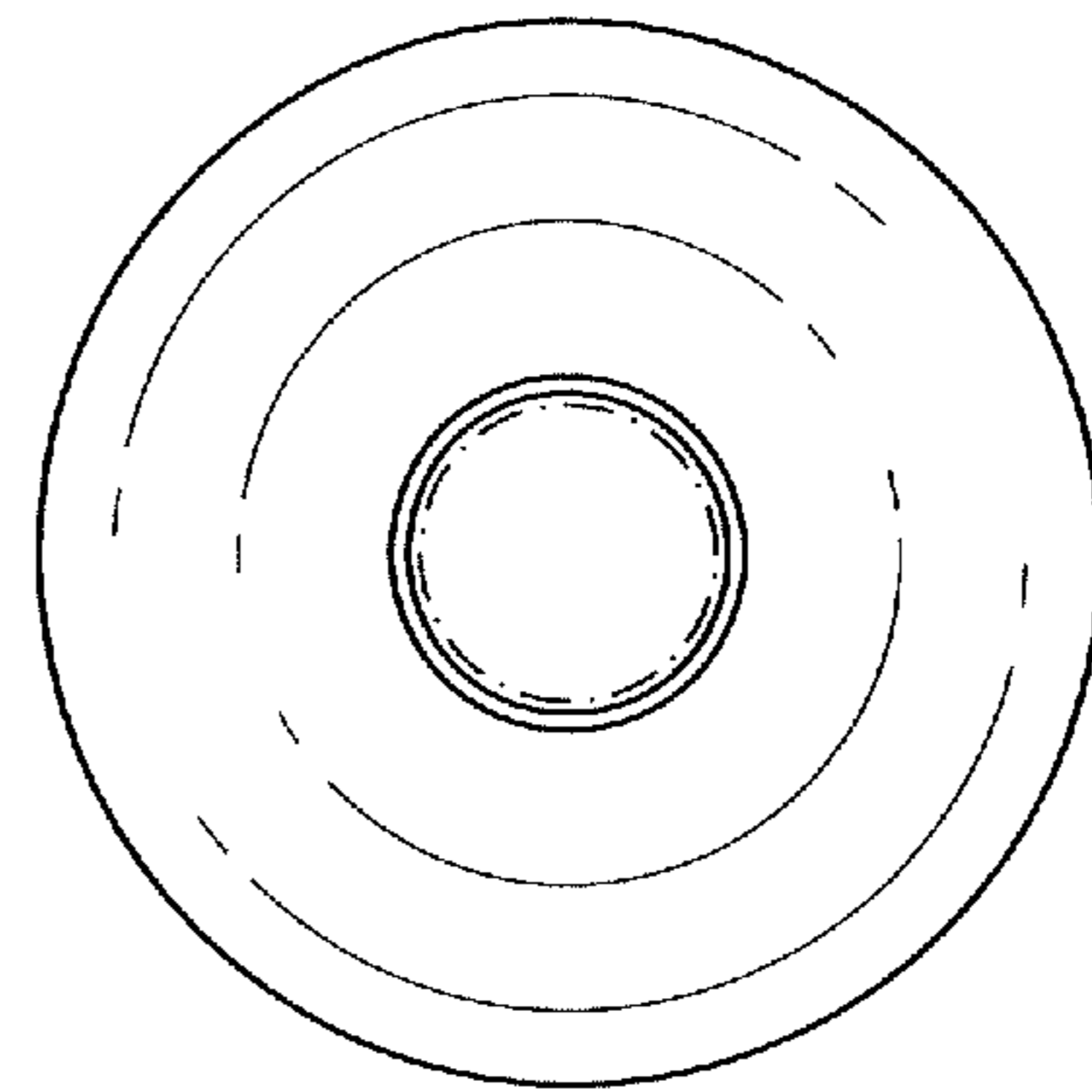


FIG. 4

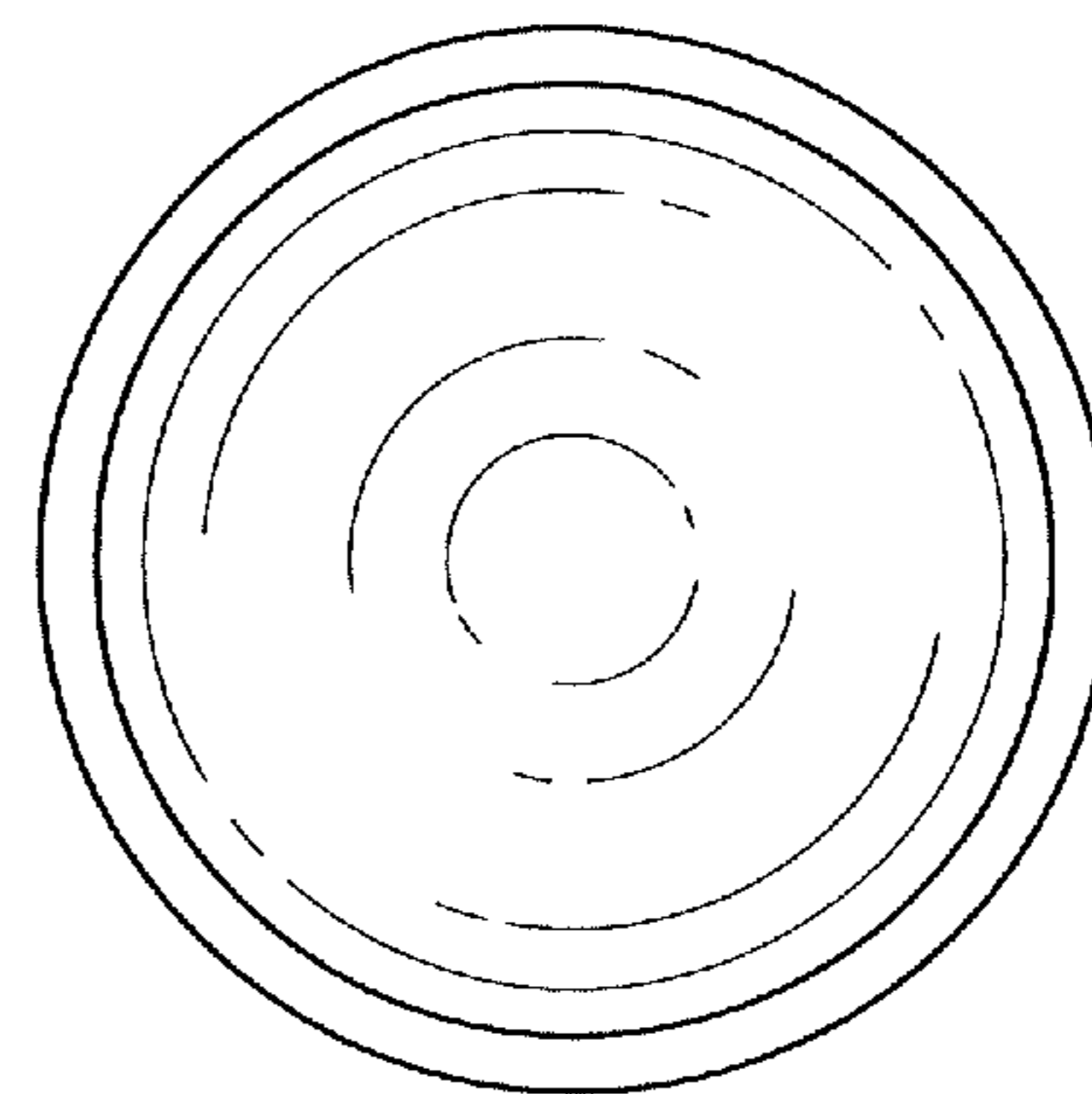


FIG. 5