



US00D790966S

(12) **United States Design Patent**
Roberts et al.

(10) **Patent No.:** **US D790,966 S**
(45) **Date of Patent:** **** Jul. 4, 2017**

(54) **CAP FOR A MEDICATION CONTAINER**

(71) Applicant: **Performance Designed Products LLC**,
Burbank, CA (US)

(72) Inventors: **Tom Roberts**, Alpine, CA (US); **Chris Richards**, Fountain Hills, AZ (US);
Steve Lavache, Ware (GB); **Ireck Briones**, Spring Valley, CA (US);
Mario Andres Quiros, Del Rey, CA (US)

(73) Assignee: **PERFORMANCE DESIGNED PRODUCTS LLC**, Burbank, CA (US)

(**) Term: **15 Years**

(21) Appl. No.: **29/563,678**

(22) Filed: **May 6, 2016**

(51) **LOC (10) Cl.** **09-07**

(52) **U.S. Cl.**
USPC **D9/453**

(58) **Field of Classification Search**
USPC D9/434-436, 438, 440, 443, 445, 447,
D9/448, 452, 453, 454, 499; D24/127,
D24/128; D3/203.1, 203.2
CPC .. B65D 41/34; B65D 41/3438; B65D 47/122;
B65D 51/28
See application file for complete search history.

(56) **References Cited**

U.S. PATENT DOCUMENTS

D105,723 S *	8/1937	Wheaton	D8/DIG. 2
4,345,701 A *	8/1982	Walter	B65D 41/385
				220/758
D359,682 S *	6/1995	Miller	D9/434
D415,962 S *	11/1999	Garcia	D9/453
D427,068 S *	6/2000	Hierzer	D9/436
D442,090 S *	5/2001	Jackson	D9/453
D527,631 S *	9/2006	Mallet	D9/449

D533,781 S *	12/2006	Freisem	D9/449
D561,587 S *	2/2008	Lin	D9/453
D564,355 S *	3/2008	Berman	D9/453
D566,555 S *	4/2008	Berman	D9/453
D571,199 S *	6/2008	Petrosino	D9/435
D576,877 S *	9/2008	Alcamo	D9/438
D585,742 S *	2/2009	Wilson	D9/449
D616,303 S *	5/2010	Gonzalez	D9/436
D688,796 S *	8/2013	Niunoya	D24/127

(Continued)

OTHER PUBLICATIONS

Vimeo. Gotality RX Cap introduction published by Matthew Morin. Dec. 7, 2015 [earliest online date], [site visited Mar. 29, 2017]. Available from Internet, <URL:https://vimeo.com/148153053>.*

(Continued)

Primary Examiner — Robert M Spear
Assistant Examiner — Darcey E Heflin

(74) *Attorney, Agent, or Firm* — Sheppard, Mullin, Richter & Hampton LLP

(57) **CLAIM**

We claim the ornamental design for a cap for a medication container, as shown and described.

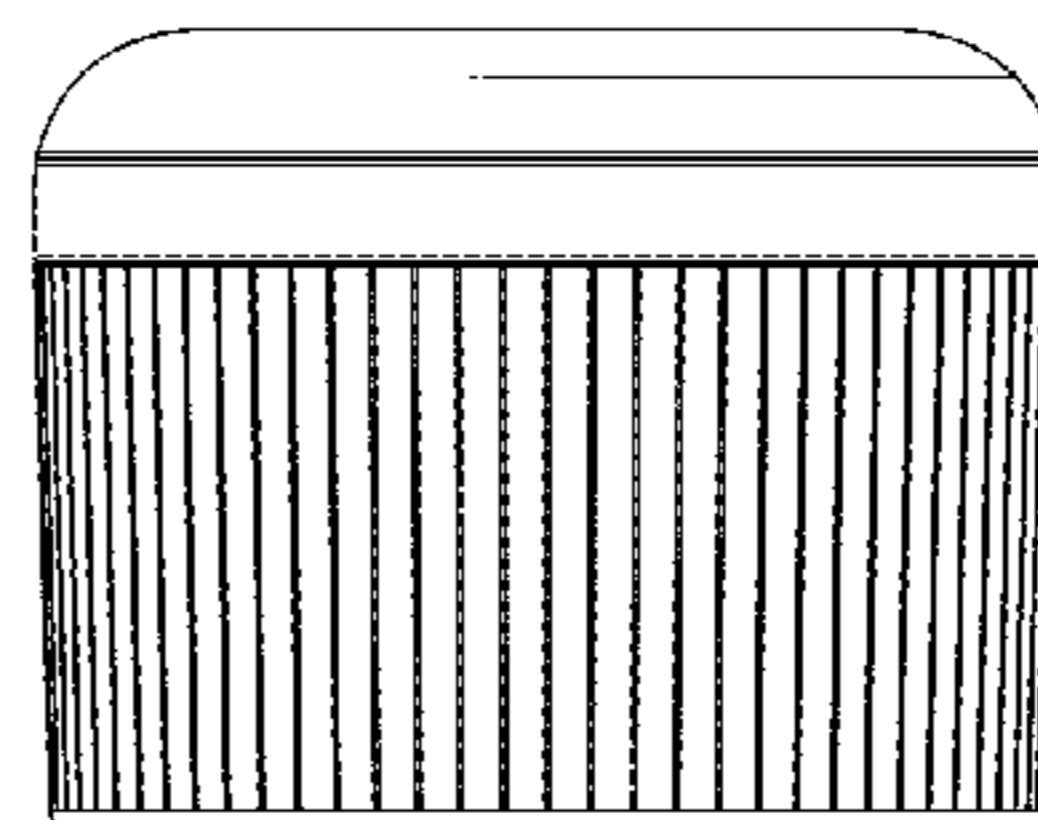
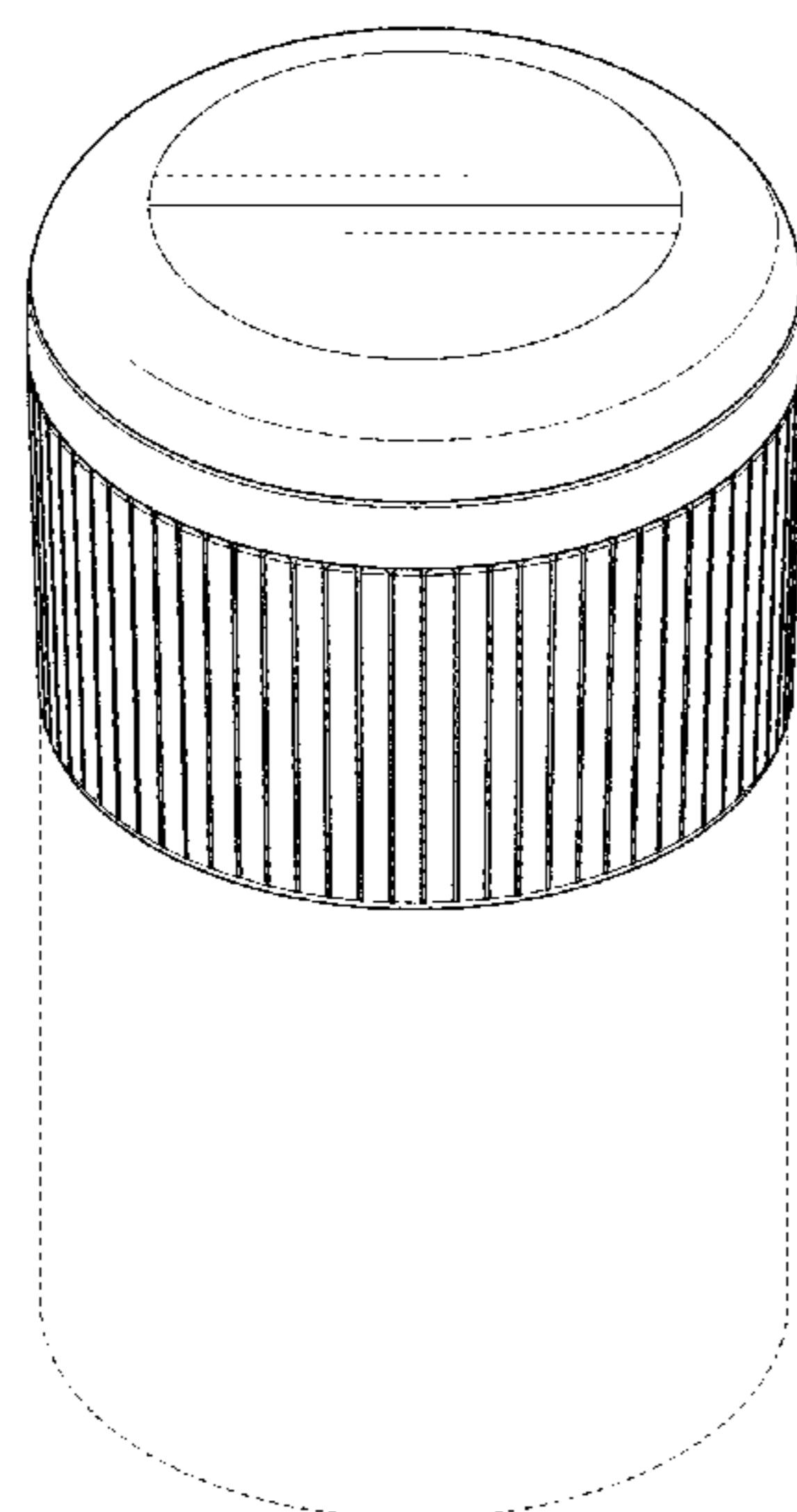
DESCRIPTION

FIG. 1 is a top and front side perspective view of an ornamental design for a cap for a medication container; FIG. 2 is a front side elevational view thereof, the back side elevational view being duplicative of the front side elevational view;

FIG. 3 is a top plan view thereof; and, FIG. 4 is a bottom plan view thereof.

The broken line showings of the cap for a medication container form no part of the claimed design. The broken line showing of the medication container illustrates the environment of the claimed design and forms no part thereof.

1 Claim, 2 Drawing Sheets



(56)

References Cited

U.S. PATENT DOCUMENTS

D762,115 S * 7/2016 Corvaglia D9/443
D779,057 S * 2/2017 Wohlfahrt D24/130
2015/0060457 A1* 3/2015 Van Der Molen . B65D 75/5883
220/304

OTHER PUBLICATIONS

Alamy. Empty Pill Bottle. 2017 [earliest online date], [site visited Apr. 6, 2017]. Available from Internet, <URL:<http://www.alamy.com/stock-photo-empty-pill-bottle-13491483.html>>.*

* cited by examiner

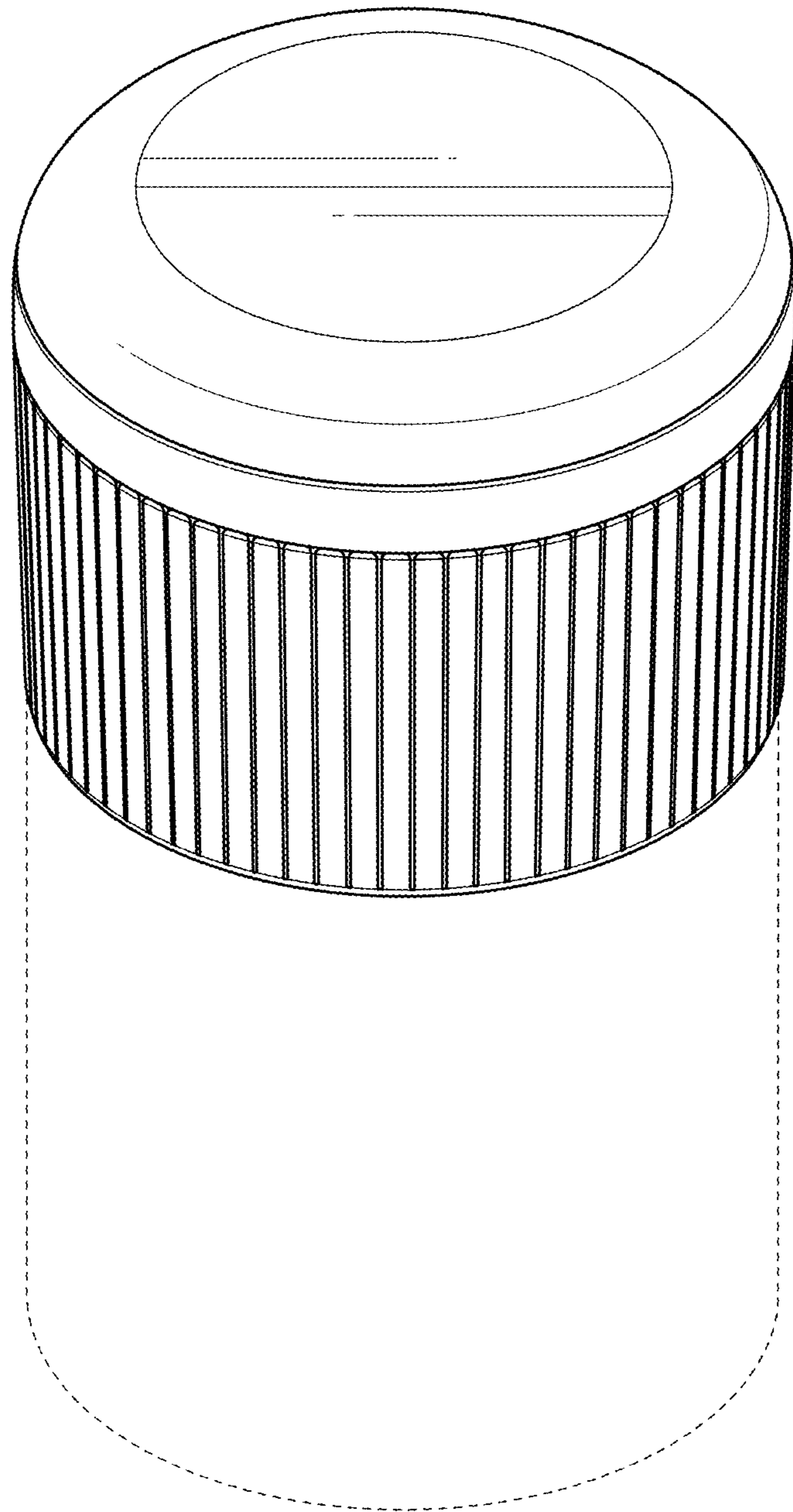


FIG. 1

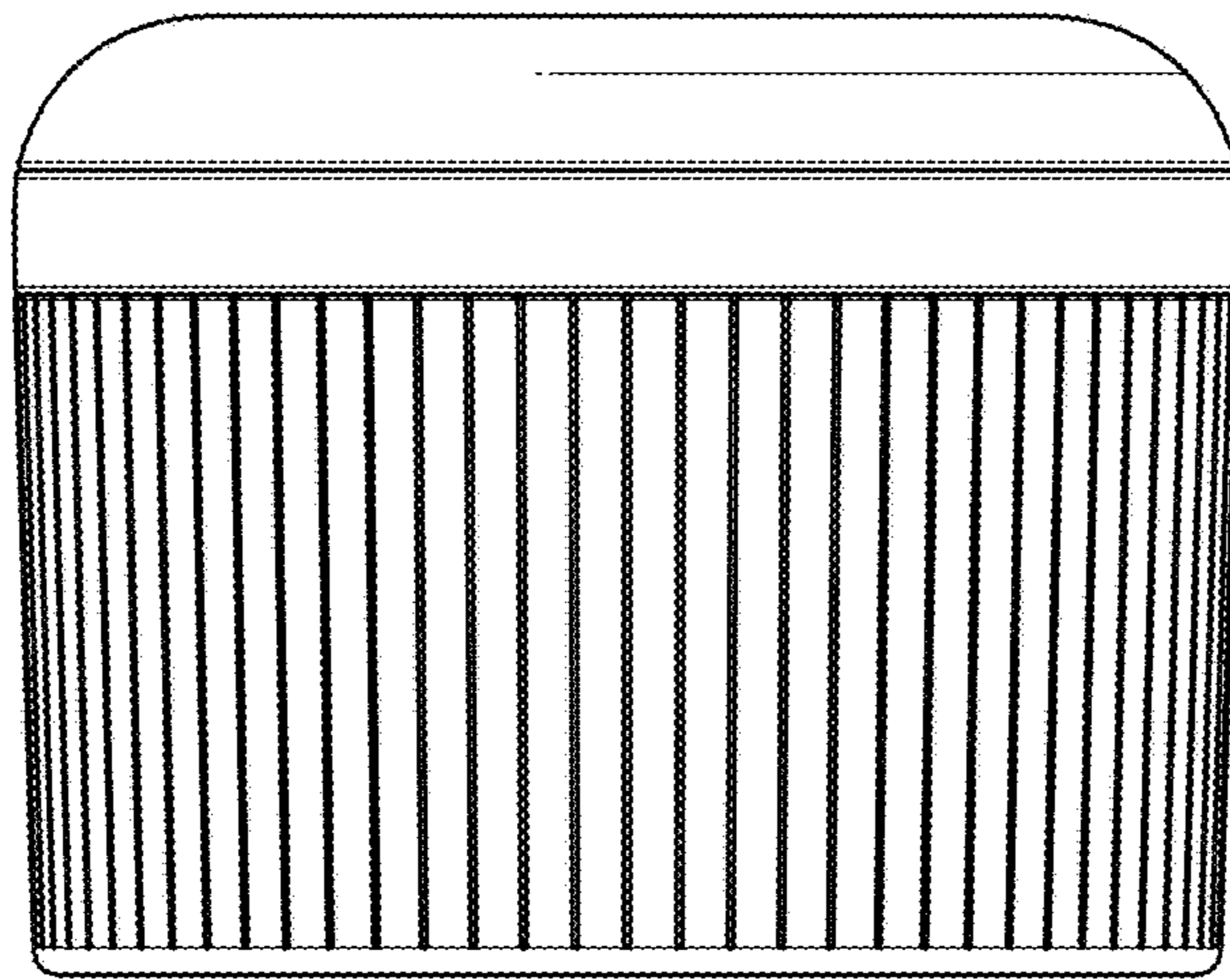


FIG. 2

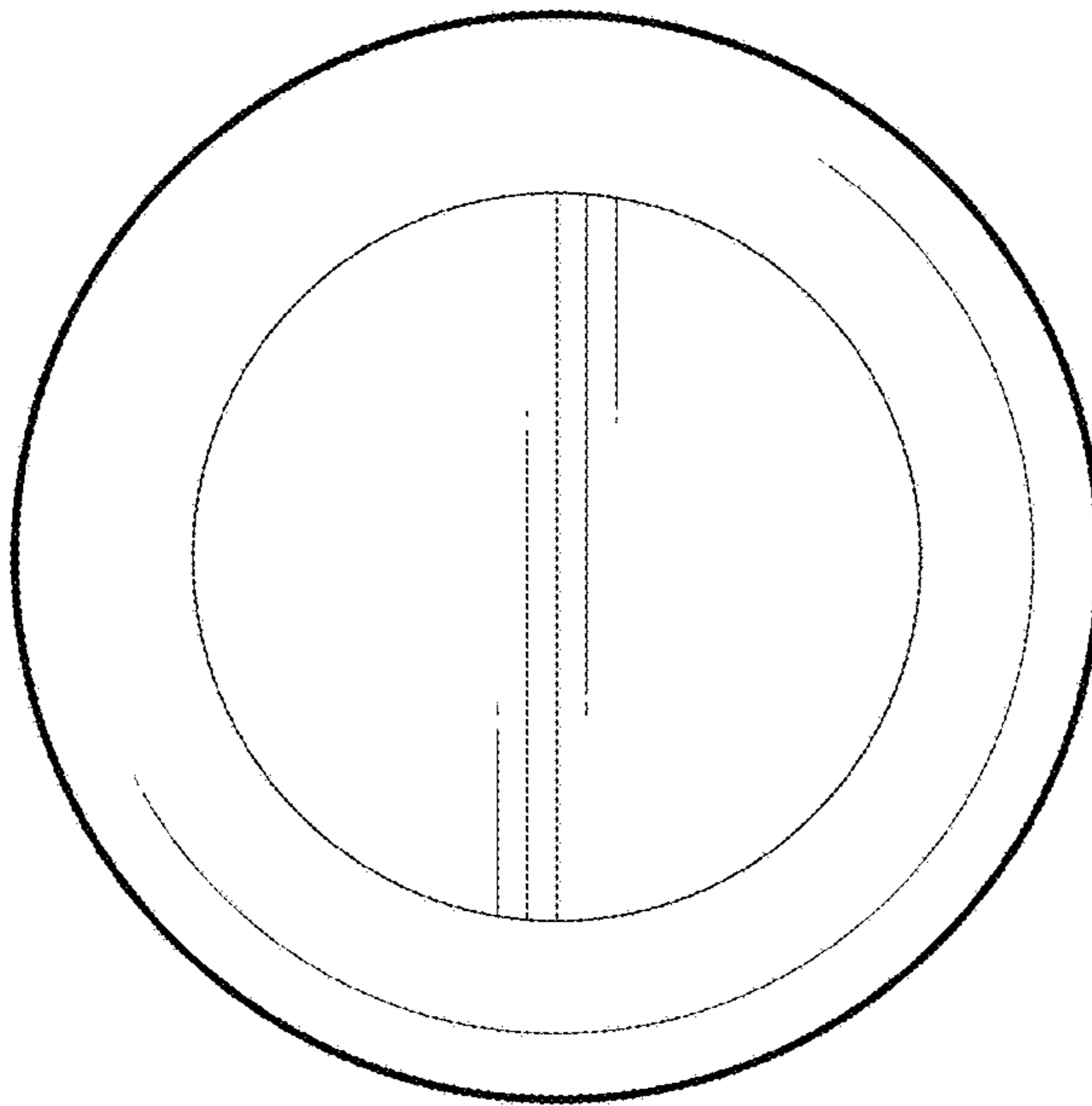


FIG. 3

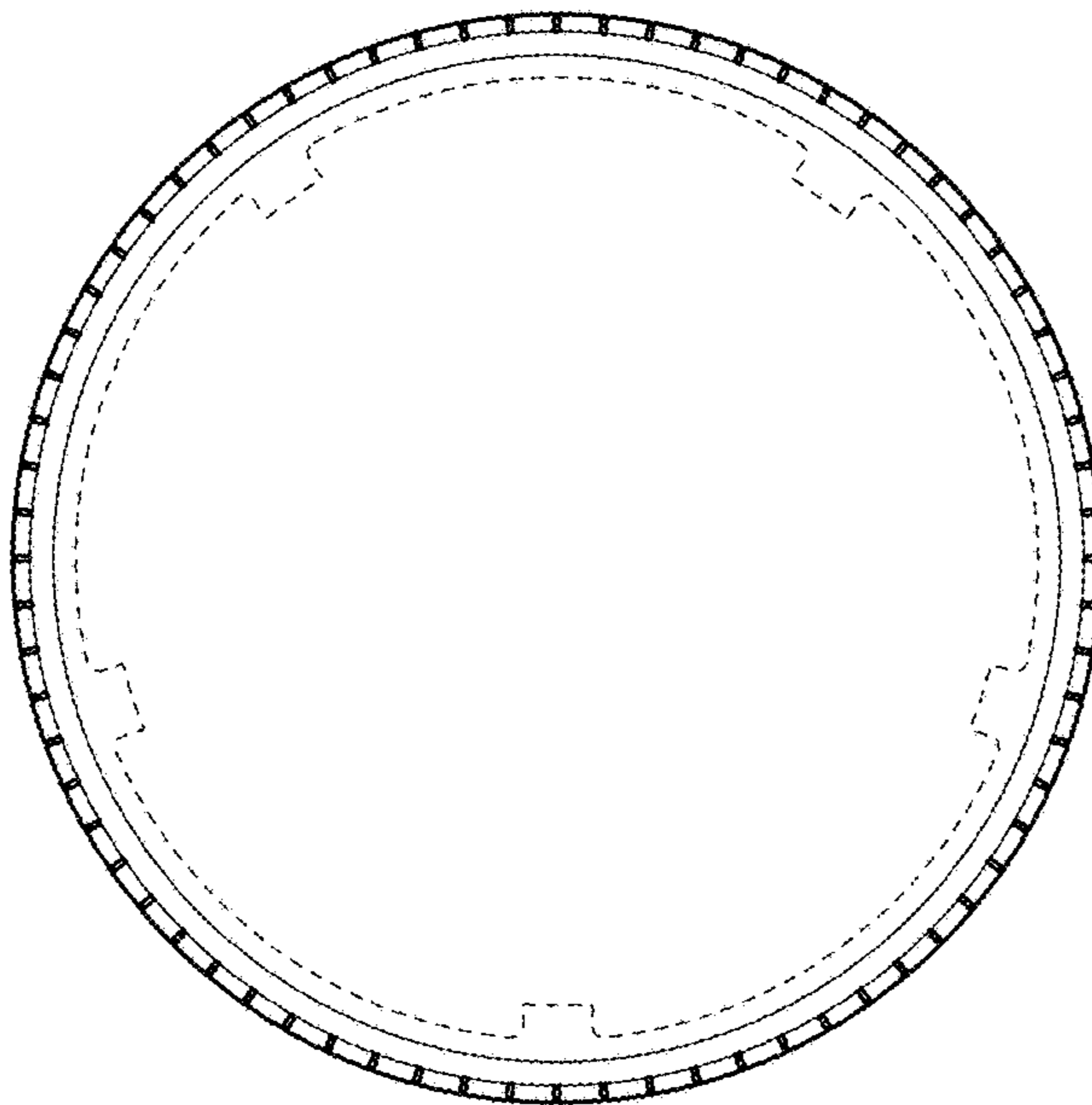


FIG. 4