



US00D790965S

(12) **United States Design Patent**  
**Horn**

(10) **Patent No.:** **US D790,965 S**

(45) **Date of Patent:** **\*\* Jul. 4, 2017**

(54) **COMBINED CAP WITH A WRITE-ON SURFACE AND WRITING IMPLEMENT HOLDER**

(71) Applicant: **Kimberlee Ann Horn**, Romney  
Crawfordsville, IN (US)

(72) Inventor: **Kimberlee Ann Horn**, Romney  
Crawfordsville, IN (US)

(\*\*) Term: **14 Years**

(21) Appl. No.: **29/511,271**

(22) Filed: **Dec. 9, 2014**

(51) **LOC (10) Cl.** ..... **09-07**

(52) **U.S. Cl.**  
USPC ..... **D9/436; D9/449**

(58) **Field of Classification Search**  
USPC ..... D7/305; D9/434-436, 440, 443, 445,  
D9/447, 454, 456, 499, 717-719;  
206/216, 459.1, 459.5  
CPC ..... B65D 23/12; B65D 25/20; B65D 51/18  
See application file for complete search history.

(56) **References Cited**

**U.S. PATENT DOCUMENTS**

D508,200 S *	8/2005	Cagle .....	D9/434
D518,379 S *	4/2006	Decottignies .....	D9/447
D588,912 S *	3/2009	Christensen .....	D9/434
D589,793 S *	4/2009	Christensen .....	D9/434
D598,746 S *	8/2009	Caldwell .....	D9/435
D598,747 S *	8/2009	Caldwell .....	D9/435
D612,237 S *	3/2010	Richey .....	D9/447
D630,405 S *	1/2011	Healy .....	D34/10
D746,679 S *	1/2016	Jasso Gomez .....	D9/443
D747,157 S *	1/2016	Pasho .....	D7/620
2014/0209489 A1 *	7/2014	Horn .....	B65D 25/20 206/216

(Continued)

*Primary Examiner* — Robert M Spear

*Assistant Examiner* — Darcey E Heflin

(74) *Attorney, Agent, or Firm* — James Ray & Assoc

(57) **CLAIM**

The ornamental design for combined cap with a write-on surface and a writing implement holder, as shown and described.

**DESCRIPTION**

FIG. 1 is perspective view of an embodiment of a combined cap with a write-on surface and writing implement holder showing my new design in a closed position.

FIG. 2 is another perspective view of the cap in FIG. 1 in an open position.

FIG. 3 is a front view of the cap in FIG. 1.

FIG. 4 is a left view of the cap in FIG. 1.

FIG. 5 is a bottom view of the cap in FIG. 1.

FIG. 6 is a rear view of the cap in FIG. 1.

FIG. 7 is a right view of the cap in FIG. 1.

FIG. 8 is a top view of the cap in FIG. 1.

FIG. 9 is one perspective environmental view of the cap in FIG. 2 in an environment of use.

FIG. 10 is one perspective view of another embodiment of the combined cap with a write-on surface and writing implement holder in FIG. 1.

FIG. 11 is another perspective view of the cap in FIG. 10 in an open position.

FIG. 12 is a front view of the cap in FIG. 10.

FIG. 13 is a left view of the cap in FIG. 10.

FIG. 14 is a bottom view of the cap in FIG. 10.

FIG. 15 is a rear view of the cap in FIG. 10.

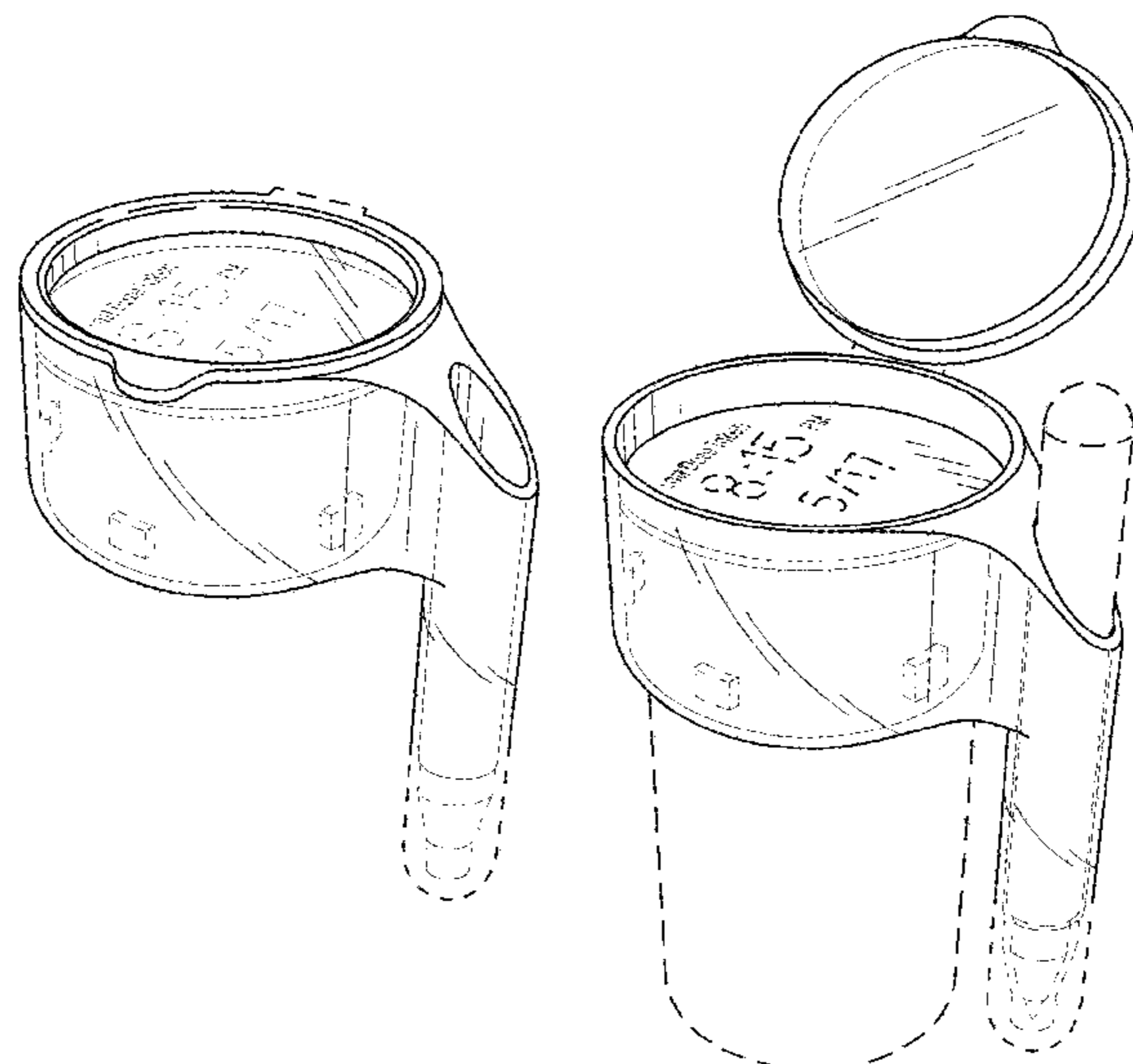
FIG. 16 is a right view of the cap in FIG. 10.

FIG. 17 is a top view of the cap in FIG. 10; and,

FIG. 18 is one perspective environmental view of the cap in FIG. 11 in an environment of use.

In the drawings, the broken lines showing portions of a cap, container and writing implement are for environmental purposed only and form no part of the claimed design.

**1 Claim, 18 Drawing Sheets**



(56)

**References Cited**

U.S. PATENT DOCUMENTS

2015/0047998	A1*	2/2015	Horn	.....	B65D 67/02 206/459.5
2015/0108016	A1*	4/2015	Horn	.....	A61J 1/00 206/232
2015/0108027	A1*	4/2015	Horn	.....	A61J 7/04 206/459.1
2015/0325152	A1*	11/2015	Horn	.....	G09B 25/02 434/408

\* cited by examiner

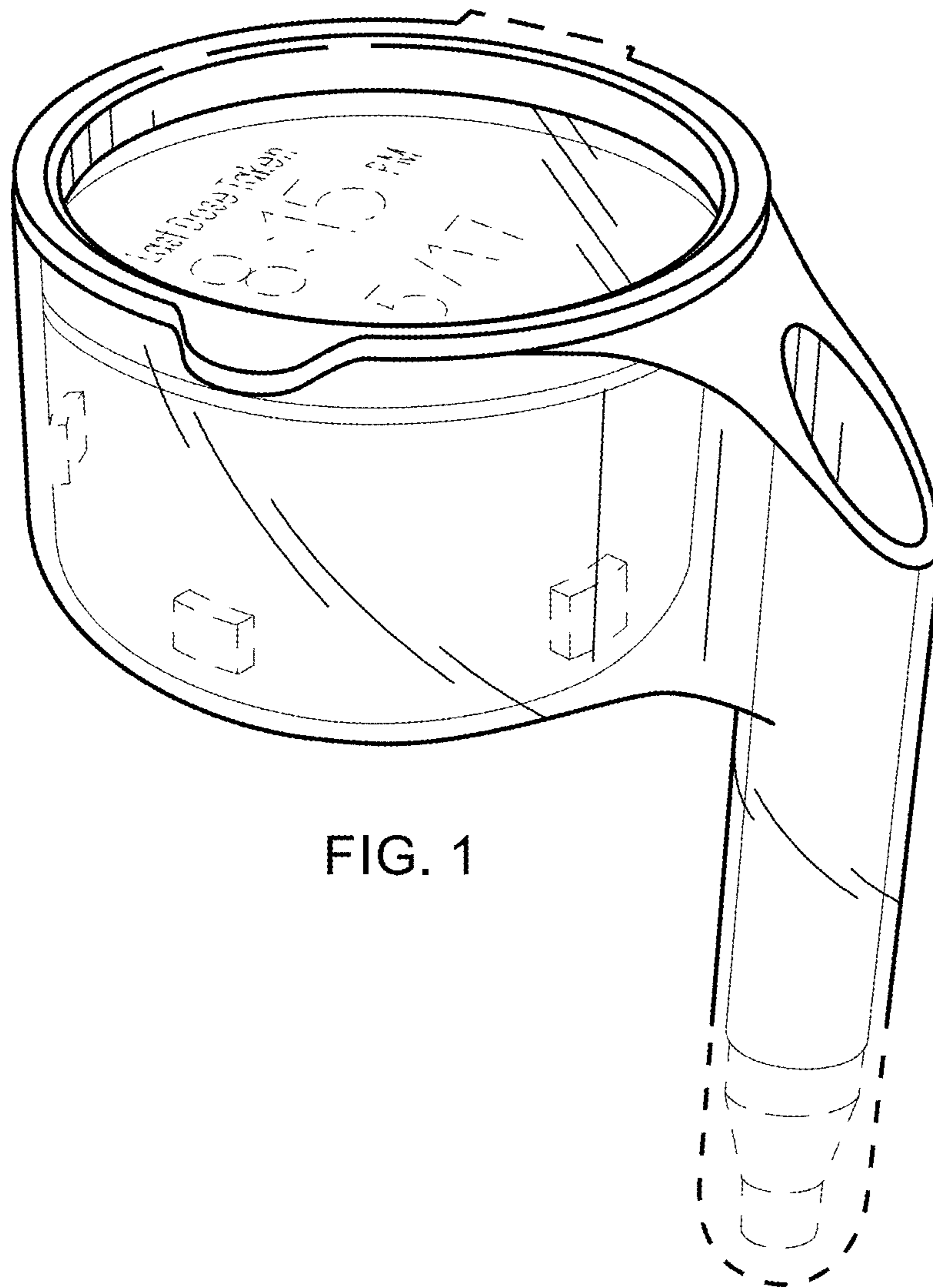


FIG. 1

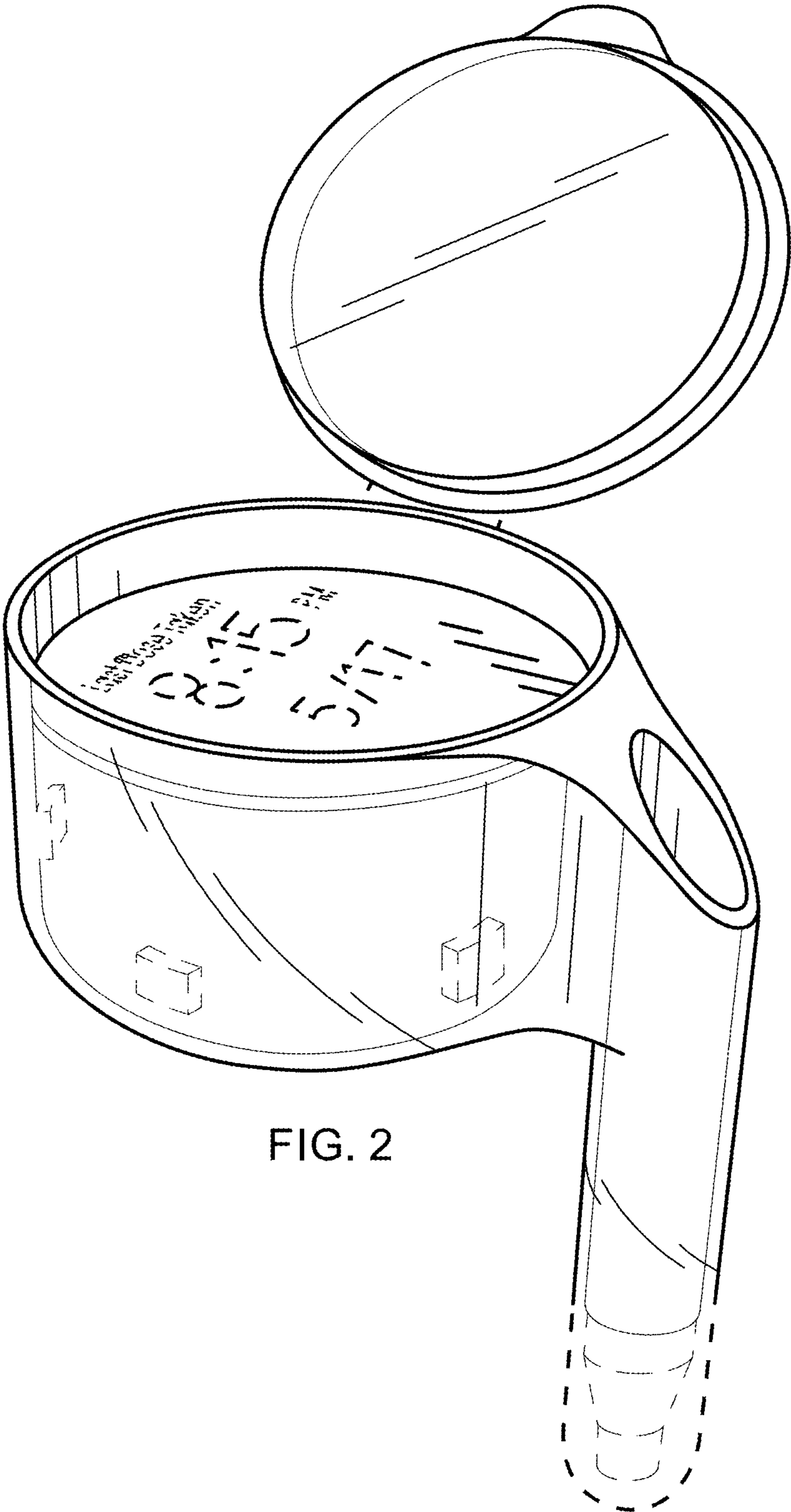
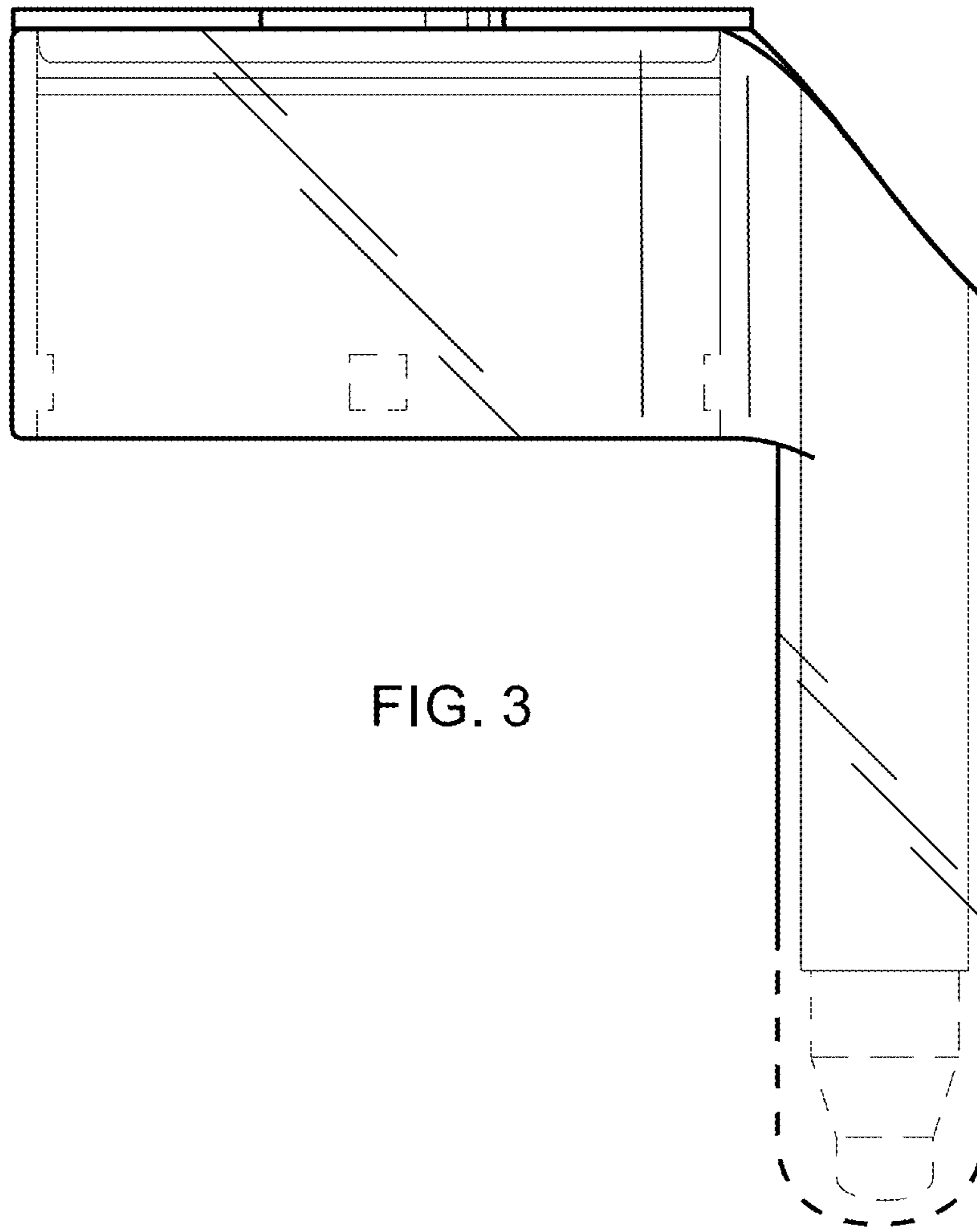


FIG. 2



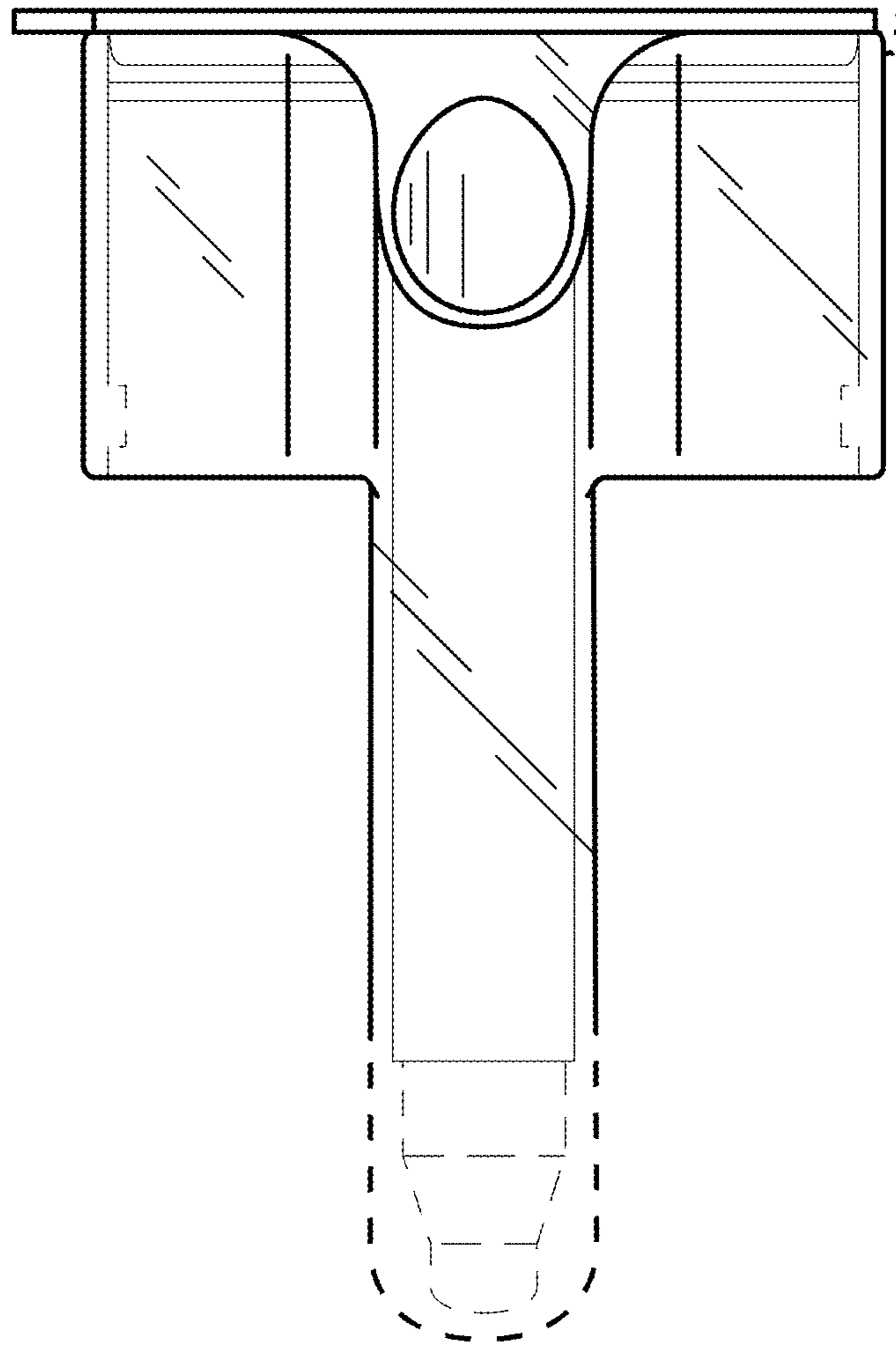


FIG. 4

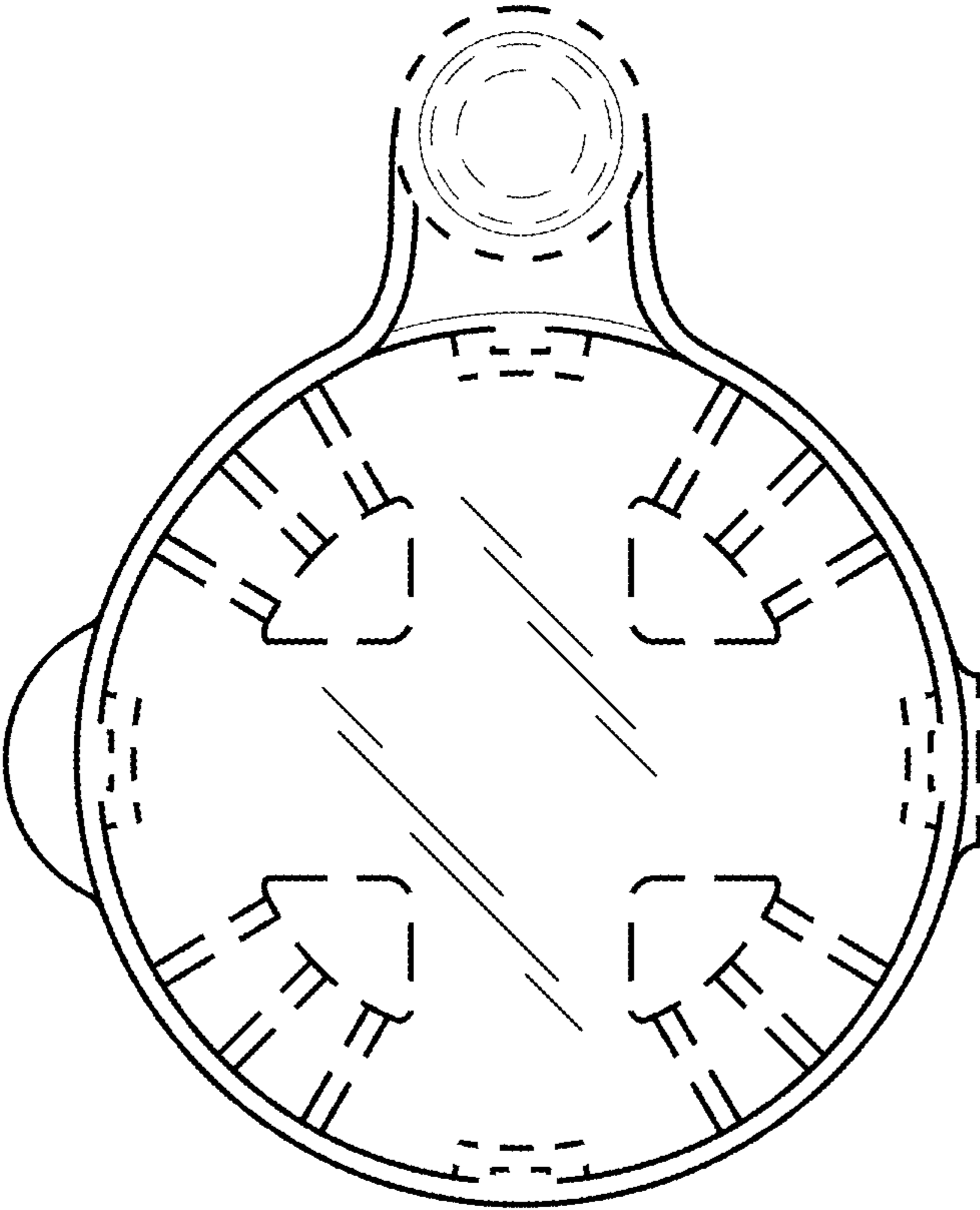


FIG. 5

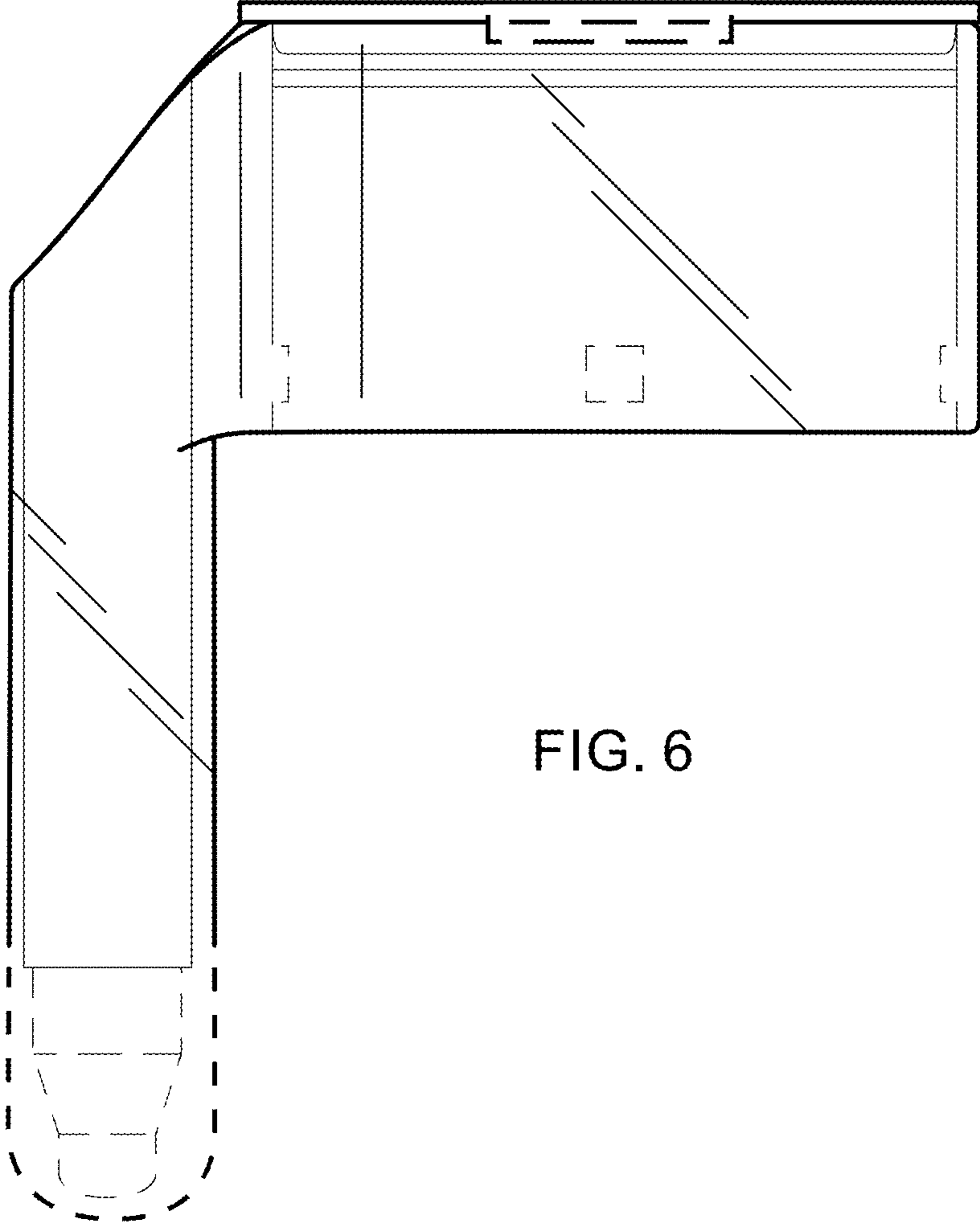


FIG. 6



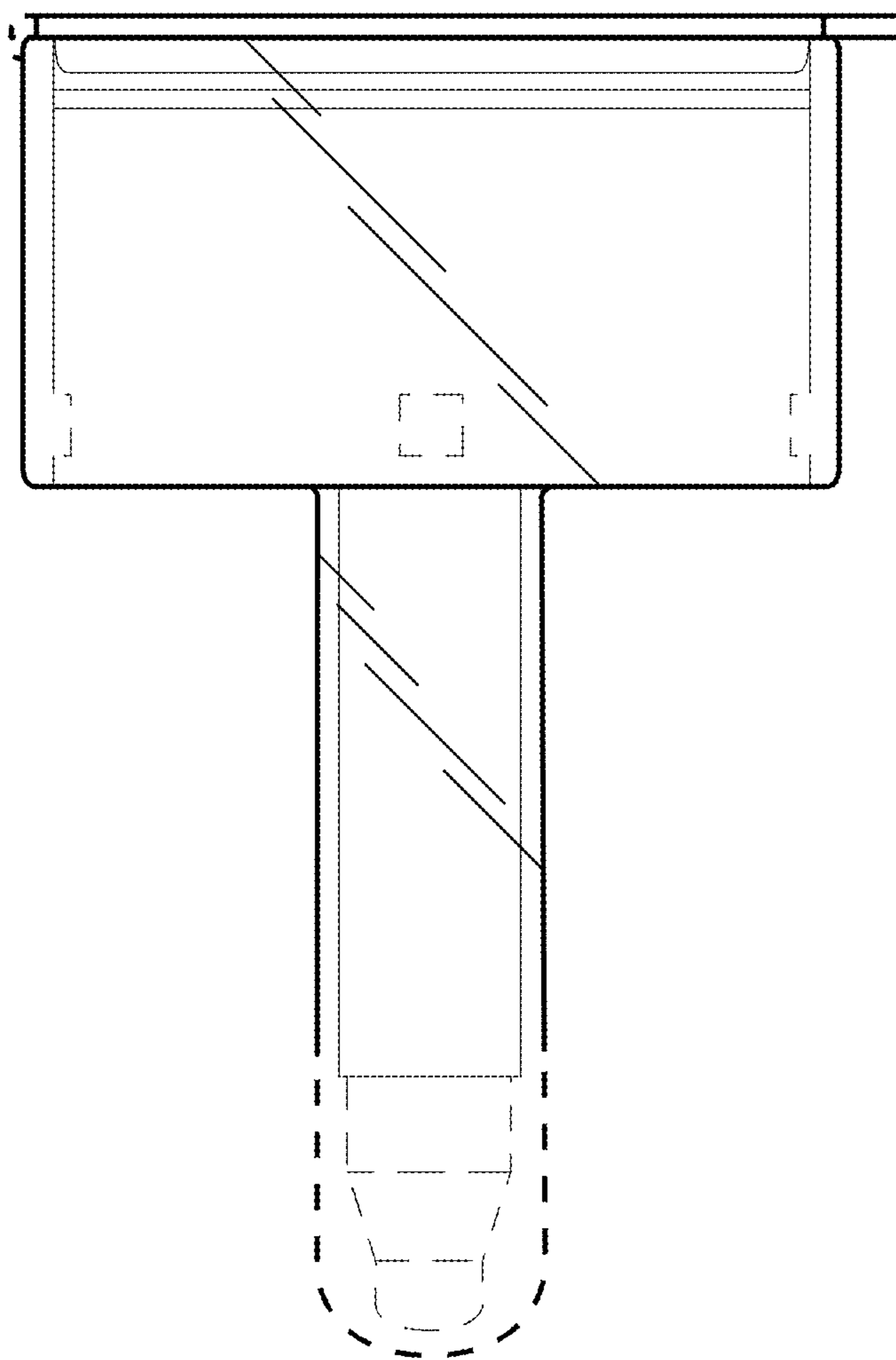


FIG. 7

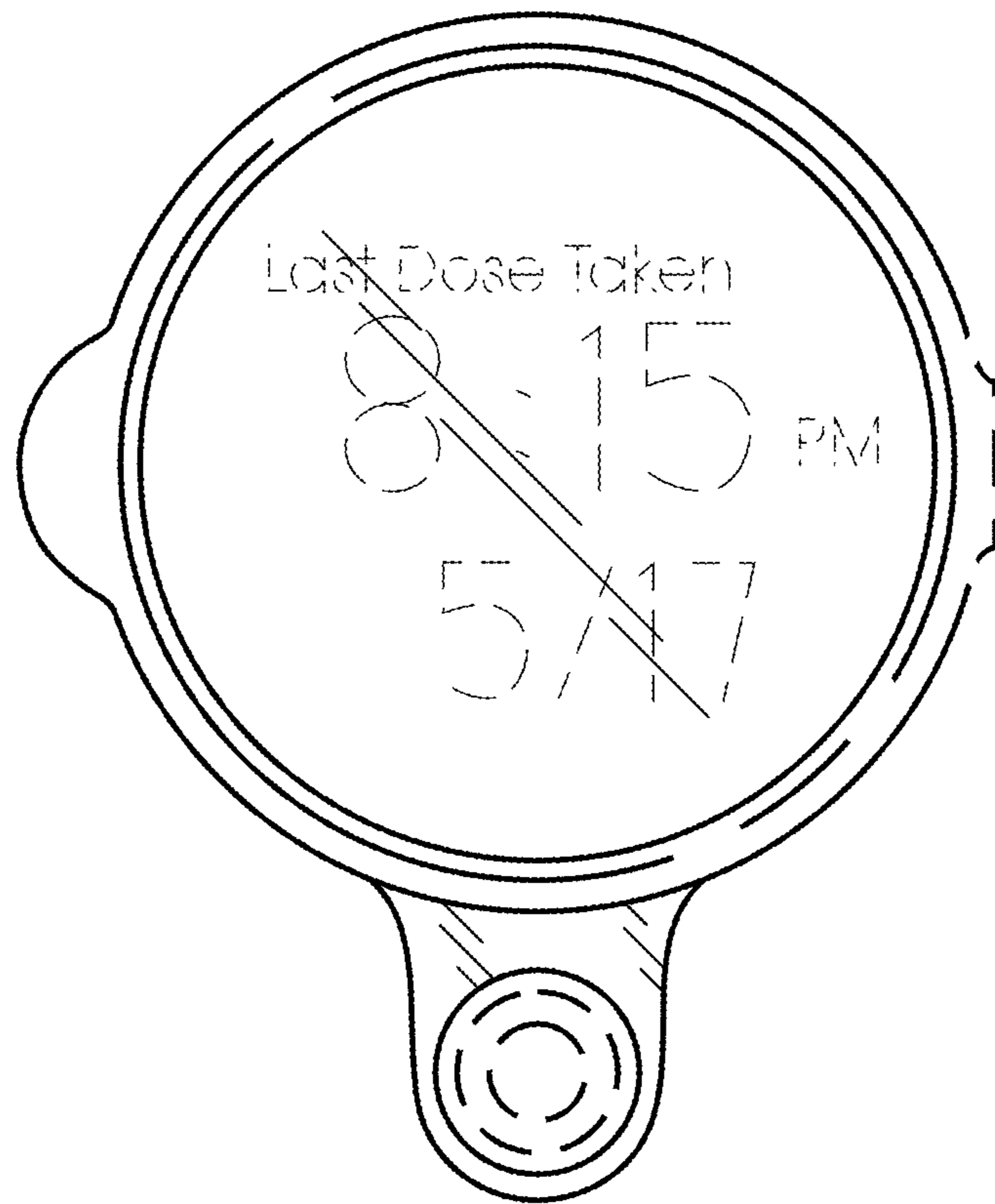


FIG. 8

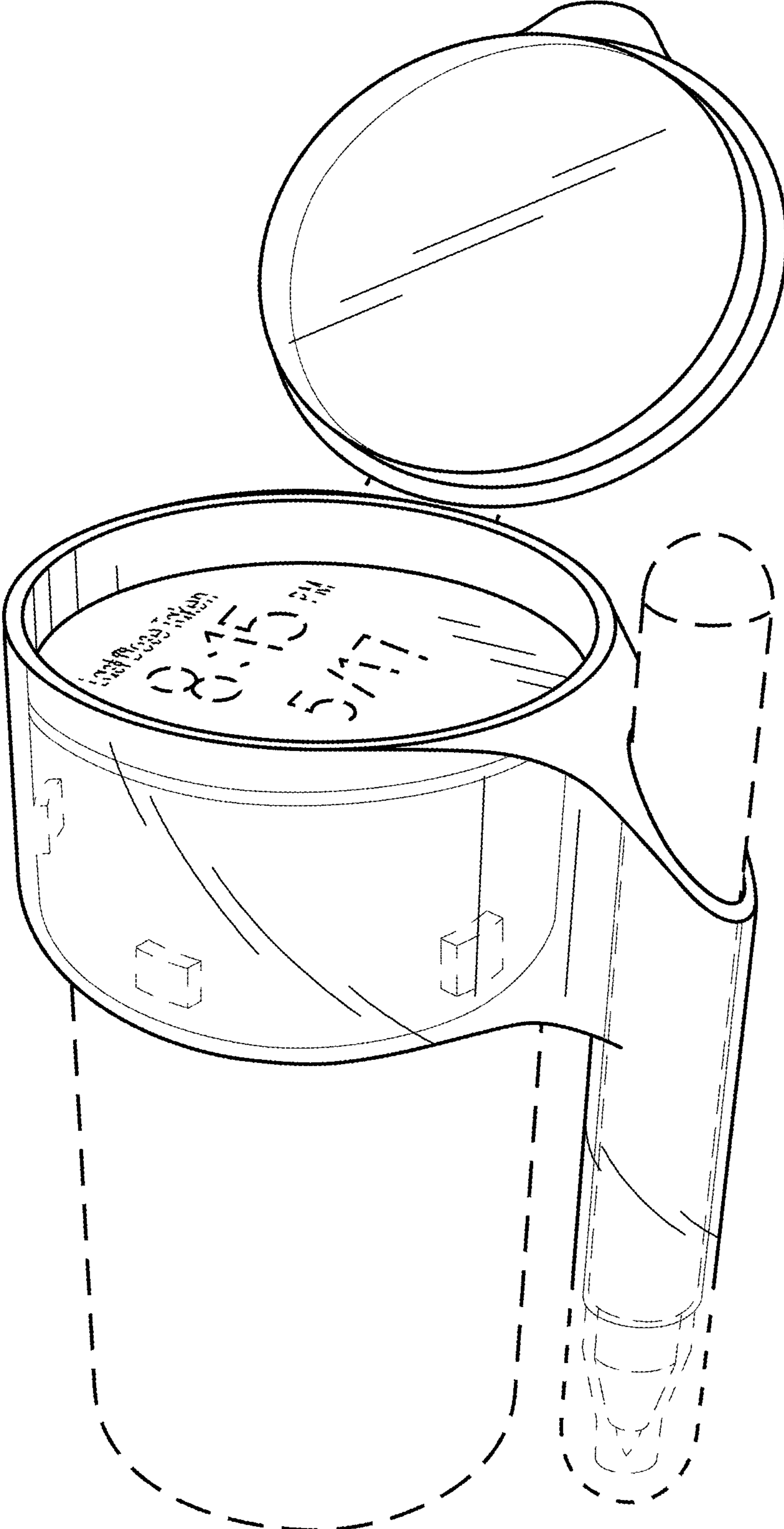


FIG. 9

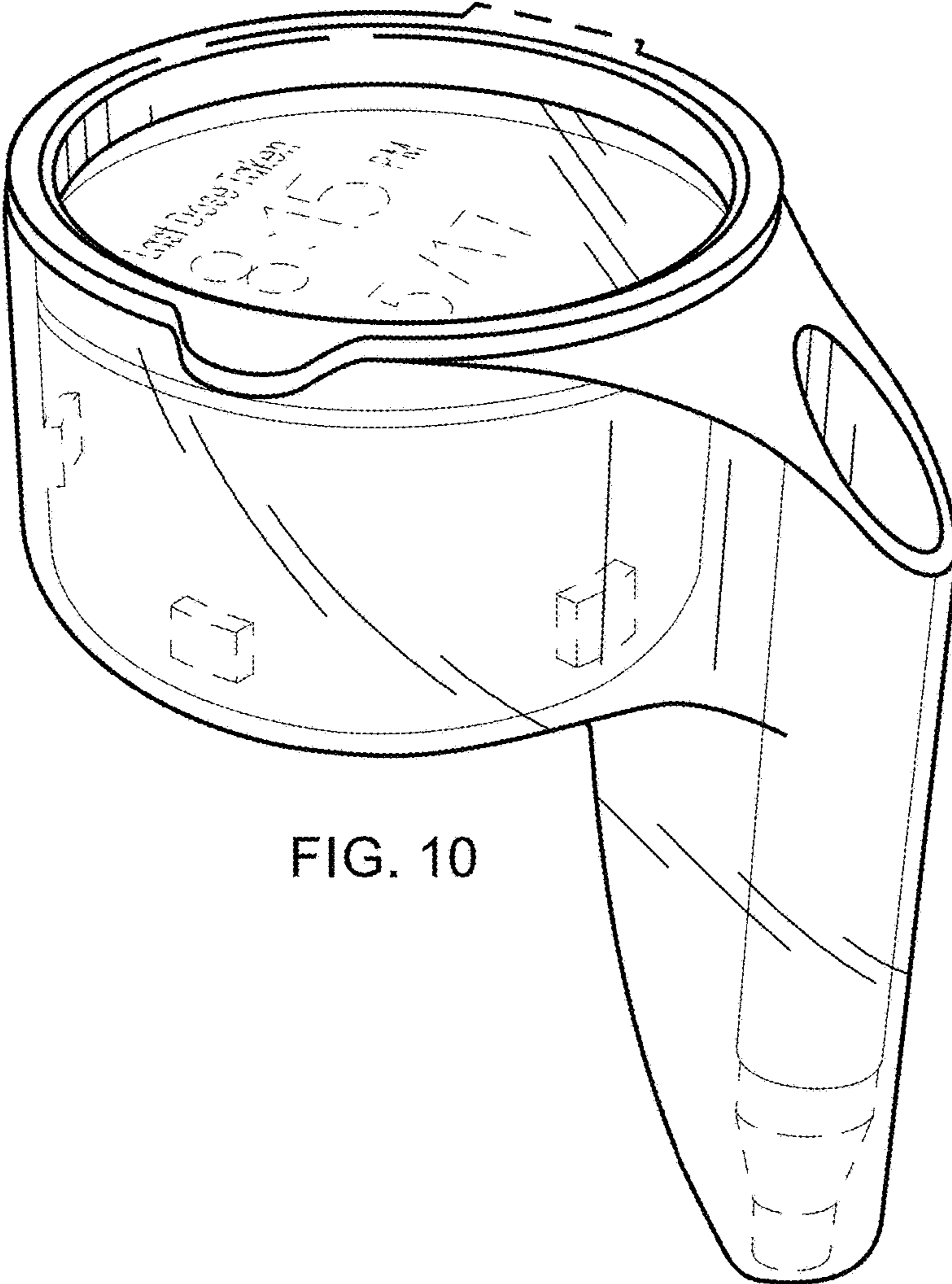


FIG. 10



FIG. 11

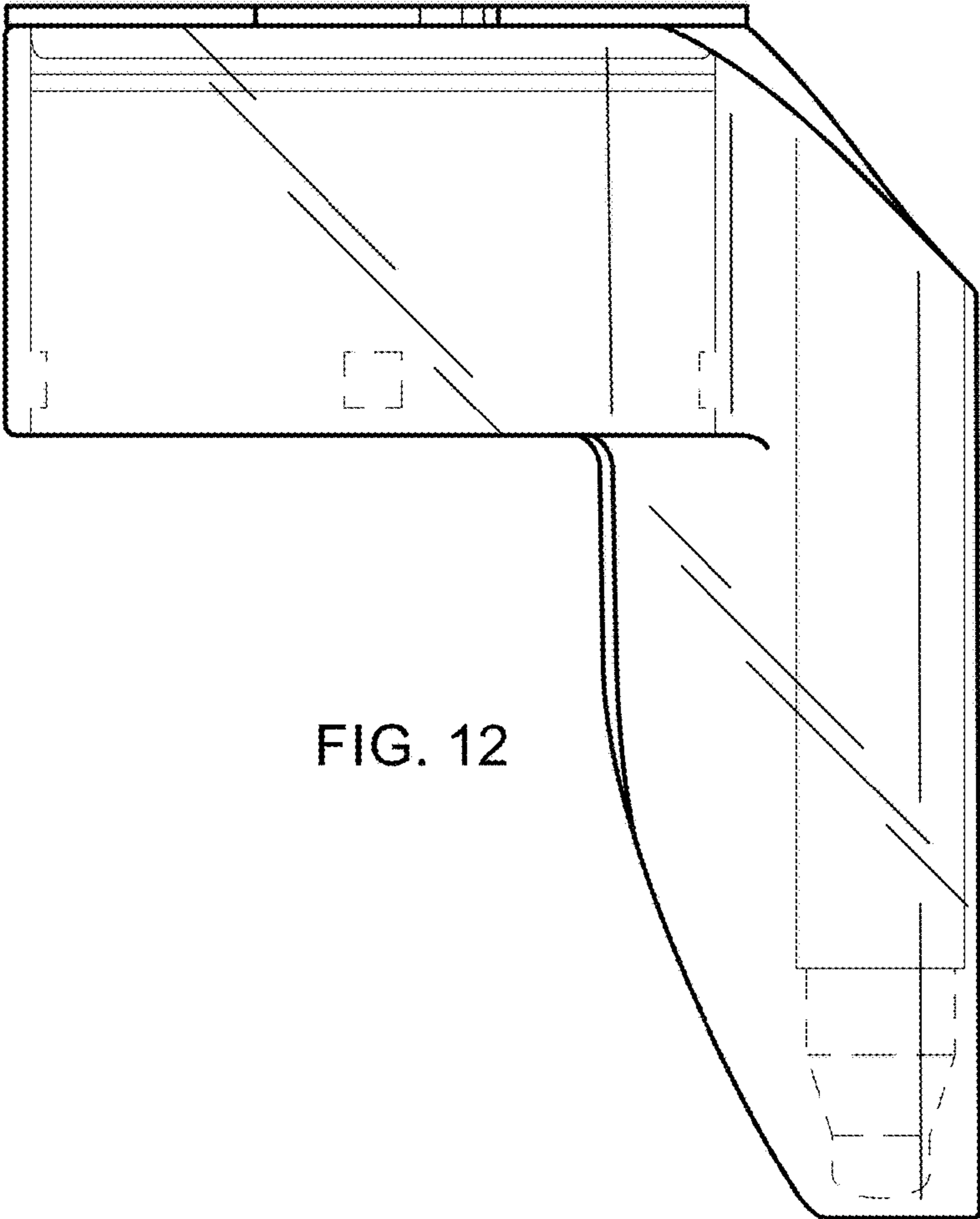


FIG. 12

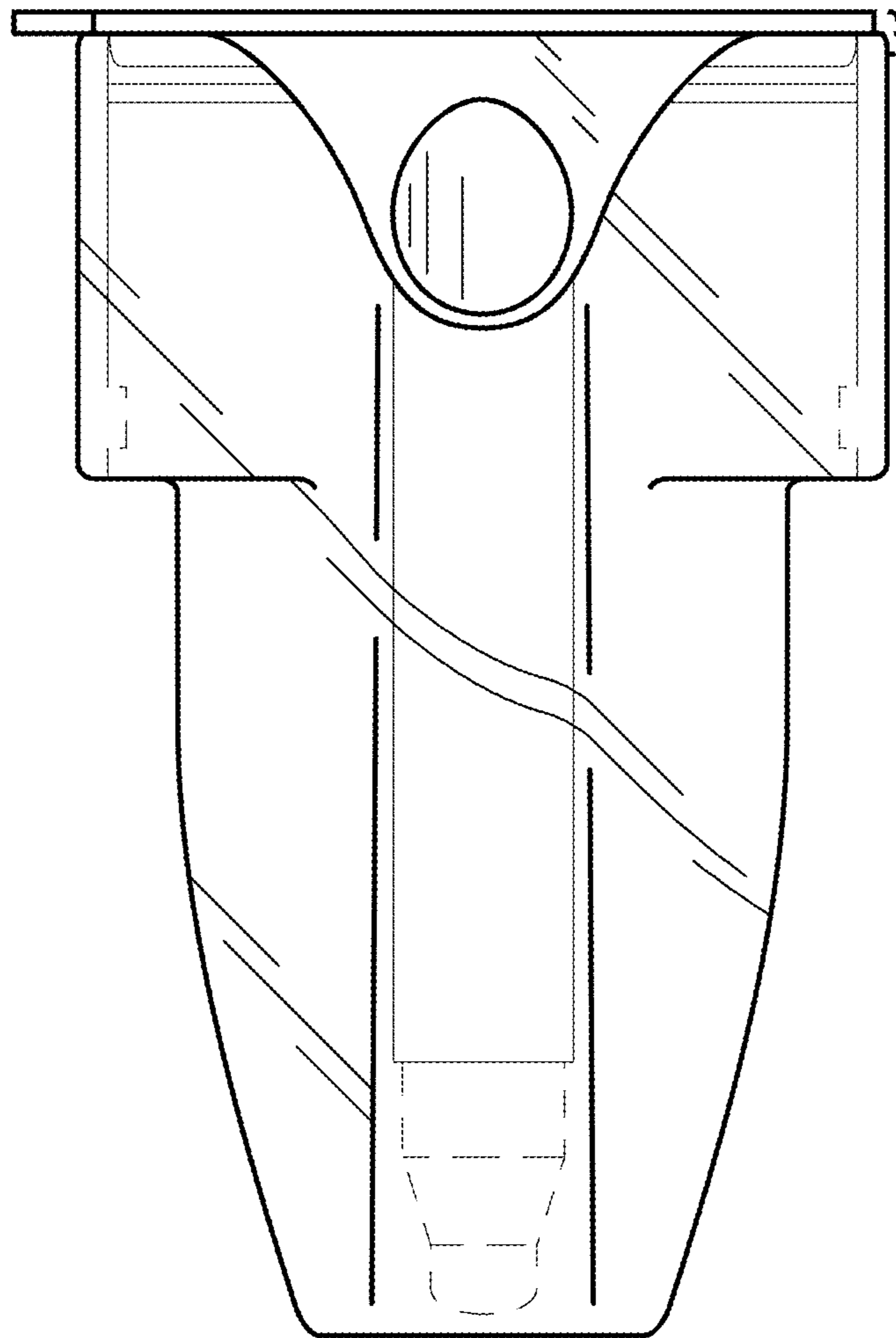


FIG. 13

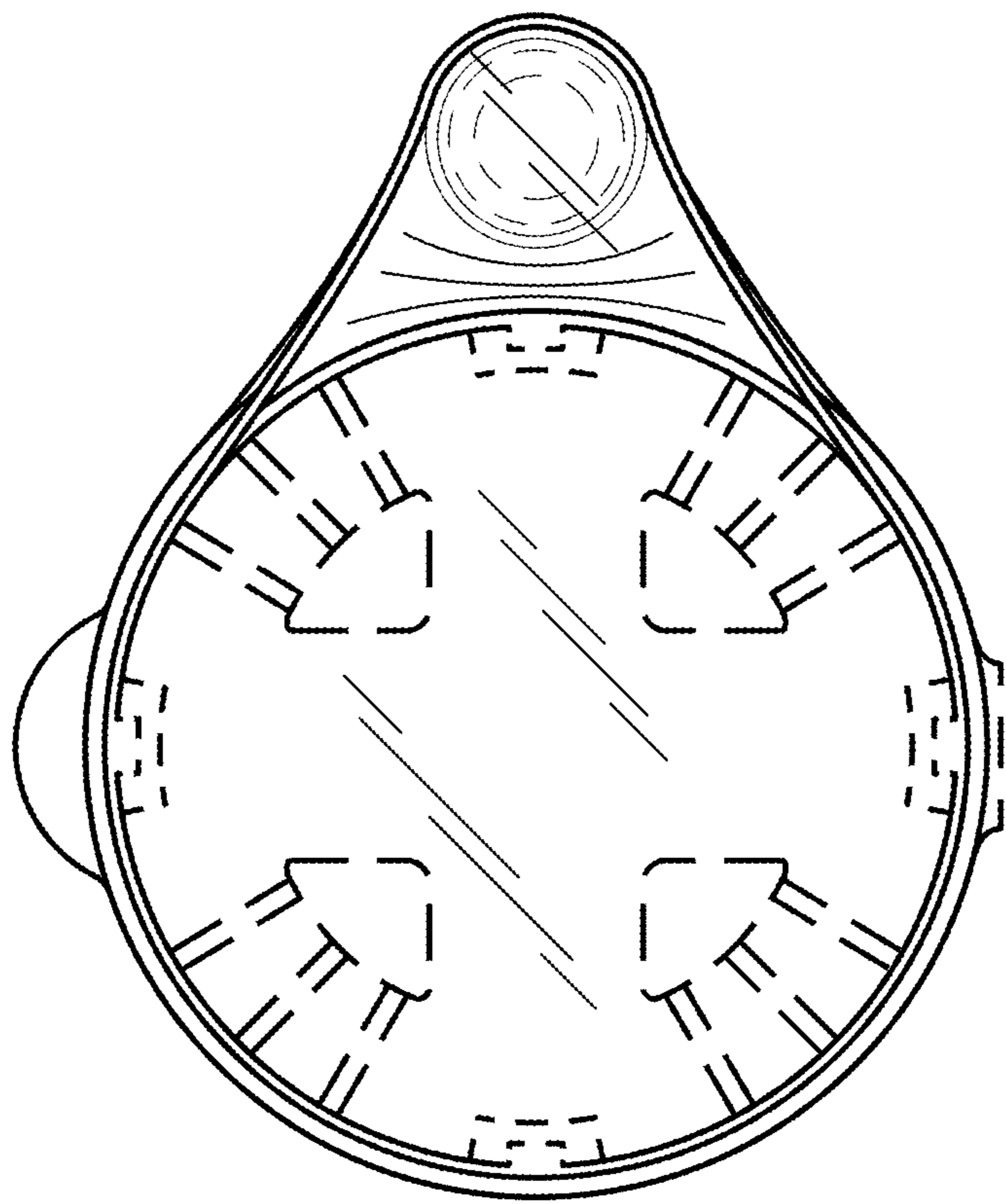


FIG. 14



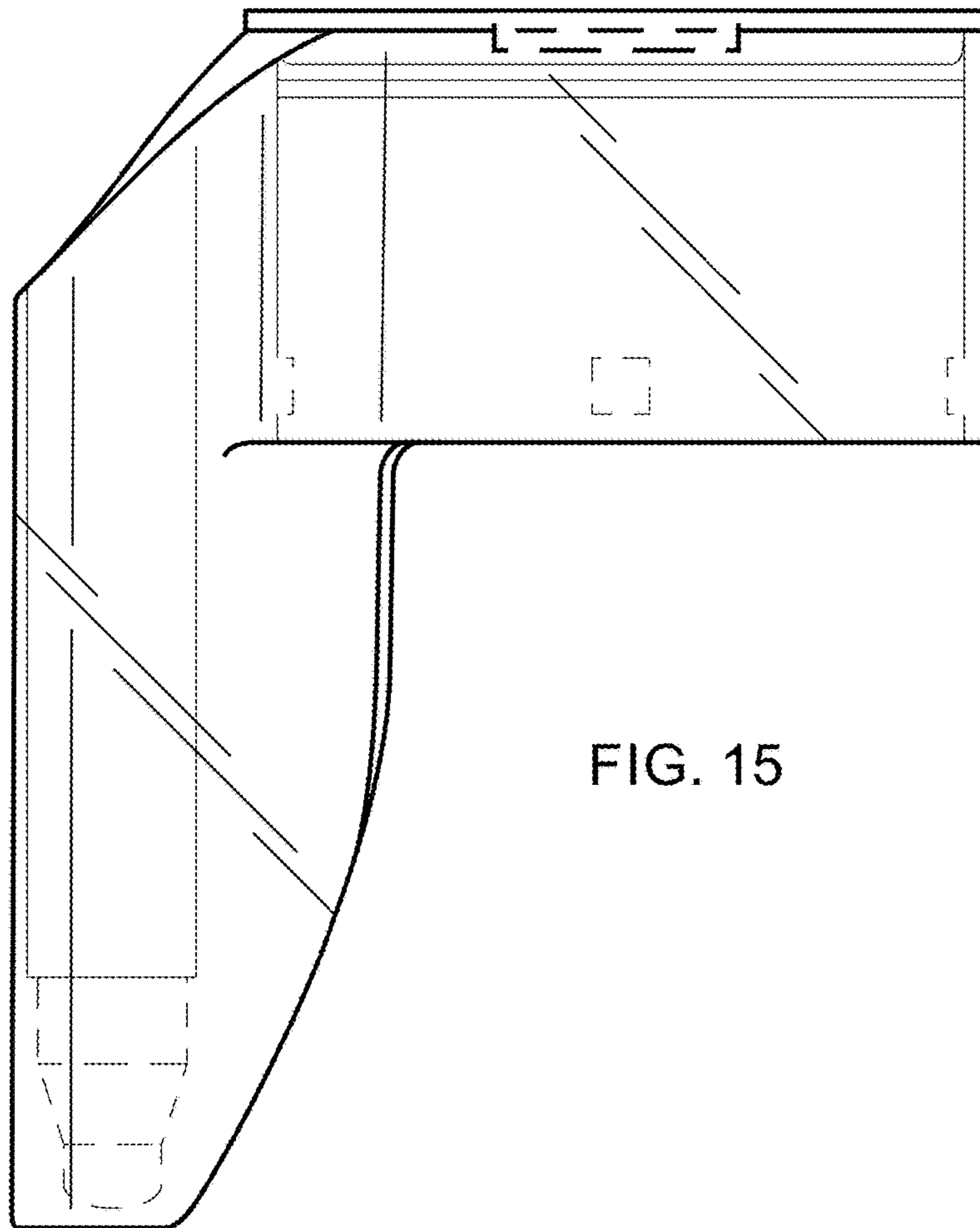


FIG. 15

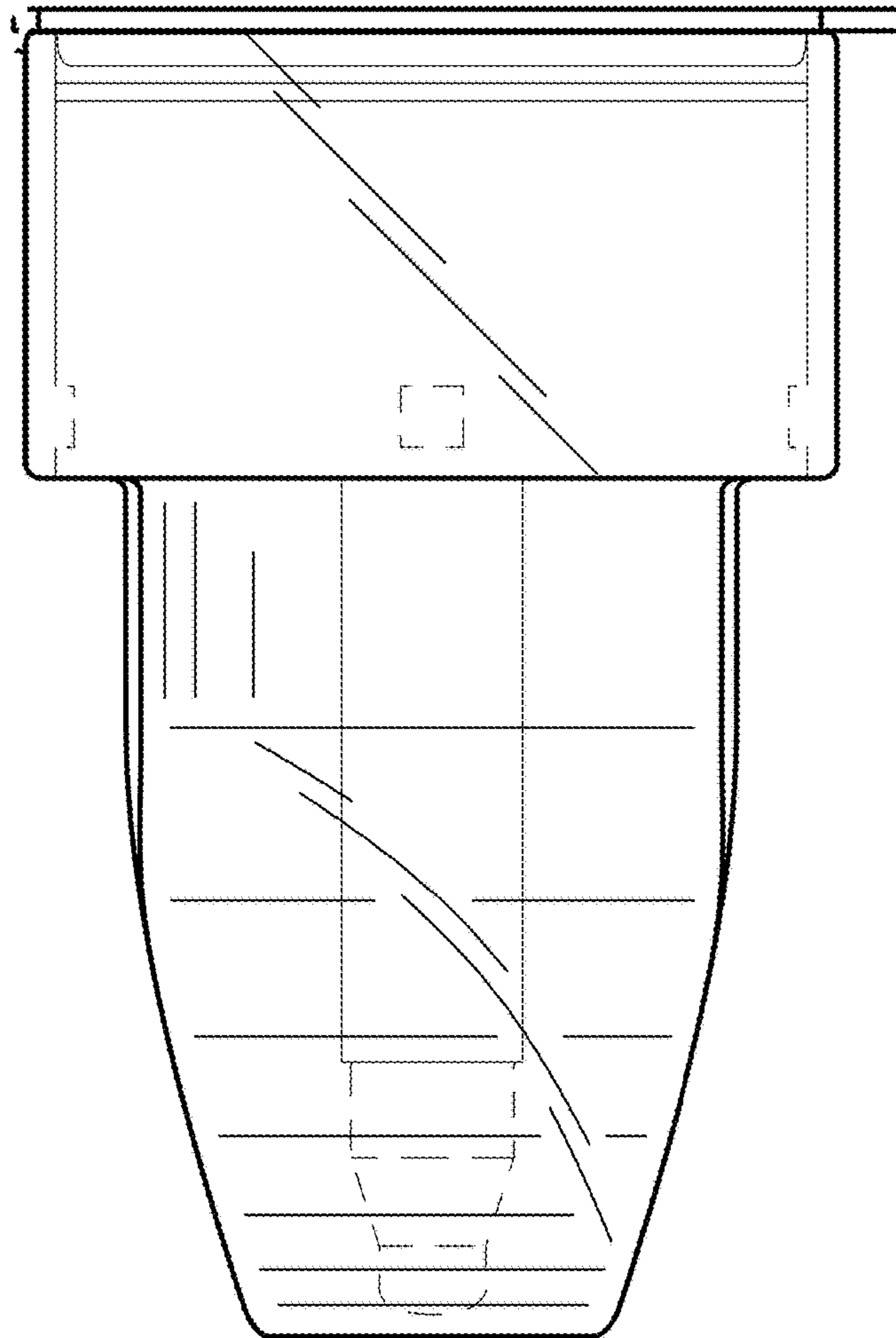


FIG. 16

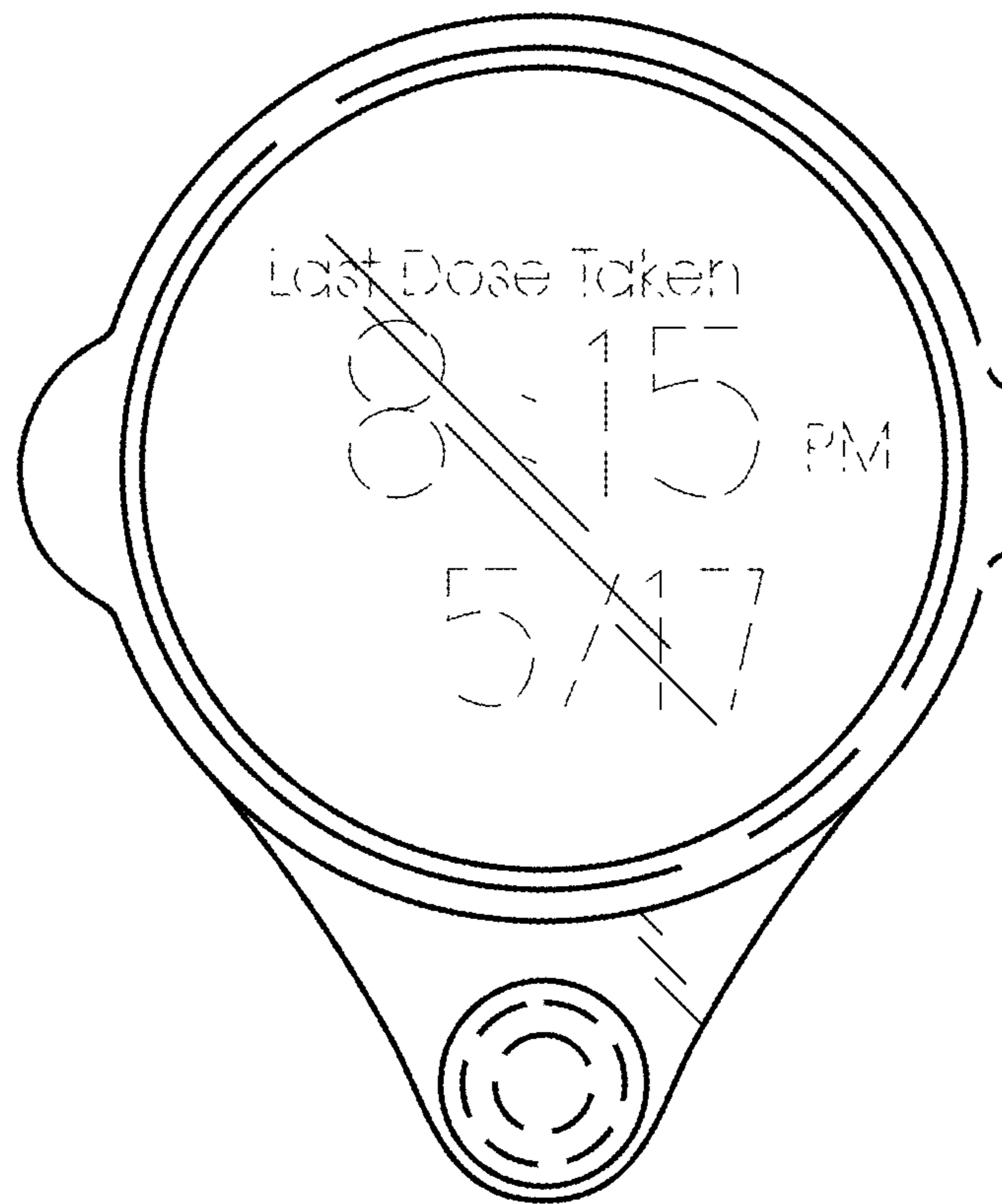


FIG. 17



FIG. 18