



US00D790963S

(12) **United States Design Patent**
Blagojevic

(10) **Patent No.: US D790,963 S**

(45) **Date of Patent: ** Jul. 4, 2017**

(54) **SEALABLE CONTAINER**

(71) Applicant: **Stevan Blagojevic**, Eugene, OR (US)

(72) Inventor: **Stevan Blagojevic**, Eugene, OR (US)

(**) Term: **14 Years**

(21) Appl. No.: **29/515,317**

(22) Filed: **Jan. 21, 2015**

(51) **LOC (10) Cl.** **09-03**

(52) **U.S. Cl.**
USPC **D9/424; D9/432**

(58) **Field of Classification Search**
USPC D9/414-418, 420-427, 430-434, 456;
D3/272, 273, 276, 281, 282, 302,
D3/304-309, 315; D7/601, 602
CPC B65D 5/00-5/02; B65D 5/0209-5/0272;
B65D 5/029; B65D 5/40; B65D 5/72;
B65D 5/727; B65D 31/10-31/18; B65D
35/04; B65D 35/56

See application file for complete search history.

(56) **References Cited**

U.S. PATENT DOCUMENTS

2,757,821	A	8/1956	Fitch	
2,928,530	A	3/1960	Sauey	
3,215,304	A	11/1965	Rohé	
3,458,079	A	7/1969	Gasbarra	
3,593,873	A	7/1971	Vonk	
3,696,957	A	10/1972	Van Baarn	
D248,277	S *	6/1978	Hartman	D18/43
D250,280	S *	11/1978	Waldman	D27/194
4,334,631	A	6/1982	Ballester	
D276,872	S	12/1984	Williams	

(Continued)

FOREIGN PATENT DOCUMENTS

CN	1796244	A	7/2006
GB	521263	A	5/1940

(Continued)

OTHER PUBLICATIONS

May 1, 2015, Office Action from the U.S. Patent and Trademark Office in U.S. Appl. No. 14/337,119, which is another application of applicant Stevan Blagojevic.

(Continued)

Primary Examiner — Vy Koenig

(74) *Attorney, Agent, or Firm* — Kolisch Hartwell, P.C.

(57) **CLAIM**

What is claimed is the ornamental design for a sealable container, as shown and described.

DESCRIPTION

FIG. 1 is a perspective view of the front side, left side, and bottom of a third embodiment of a sealable container, showing my new design;

FIG. 2 is an isometric view of the rear side, right side, and top thereof;

FIG. 3 is a front view thereof;

FIG. 4 is a rear view thereof;

FIG. 5 is a left side view thereof;

FIG. 6 is a right side view thereof;

FIG. 7 is a top view thereof;

FIG. 8 is a bottom view thereof;

FIG. 9 is a perspective view of the front side, left side, and bottom of a fourth embodiment of a sealable container, showing my new design;

FIG. 10 is a perspective view of the rear, right side, and top thereof;

FIG. 11 is a front view thereof;

FIG. 12 is a rear view thereof;

FIG. 13 is a left side view thereof;

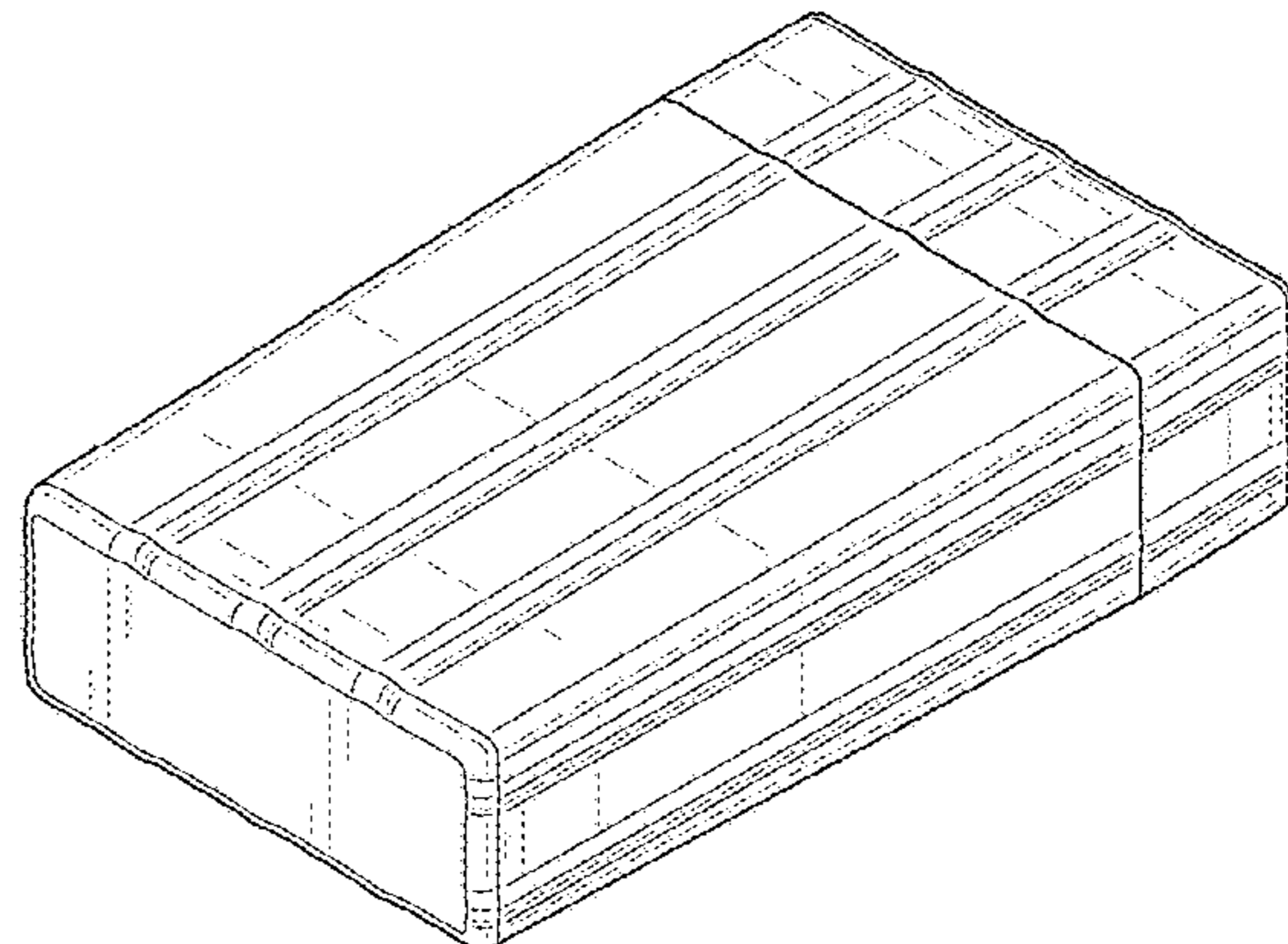
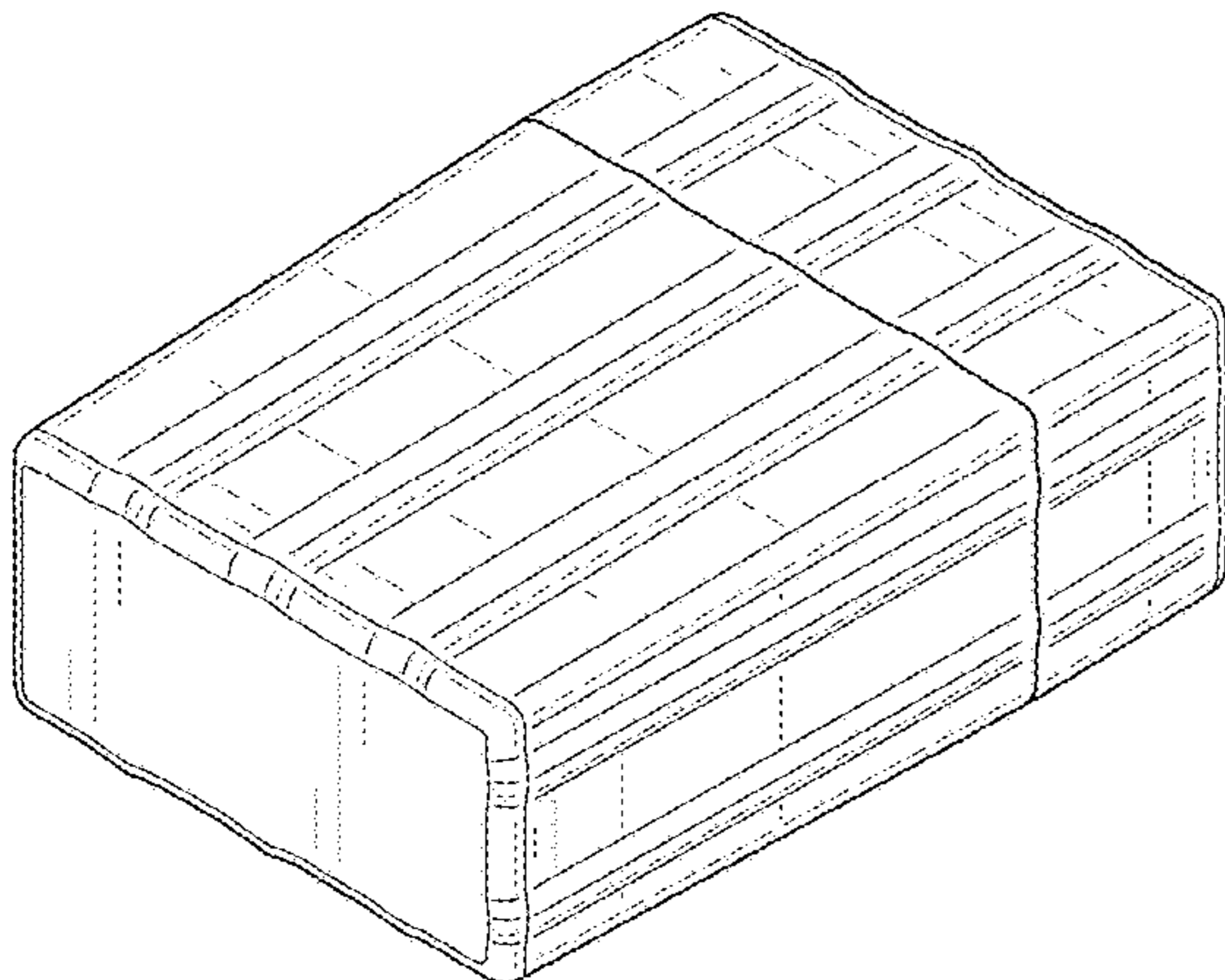
FIG. 14 is a right side view thereof;

FIG. 15 is a top view thereof; and,

FIG. 16 is a bottom view thereof.

The colors shown form no part of the claimed design.

1 Claim, 10 Drawing Sheets



(56)

References Cited

U.S. PATENT DOCUMENTS

4,491,238	A	1/1985	Tobolt	
4,566,588	A	1/1986	Kataczynski	
4,757,894	A	7/1988	Schreckenstein	
4,762,222	A	8/1988	Martin	
4,942,991	A	7/1990	Lyons	
5,215,207	A	6/1993	Stolzman	
D351,789	S *	10/1994	Lee	D9/417
D355,598	S *	2/1995	Aronhalt	D9/415
D364,344	S *	11/1995	Shaw	D9/421
D383,062	S *	9/1997	Gilels	D9/421
5,680,946	A	10/1997	Cochran	
5,875,918	A	3/1999	Sheffler et al.	
6,250,494	B1	6/2001	Diamond	
D449,782	S *	10/2001	Diaz	D7/629
D456,254	S *	4/2002	Cousin	D9/431
D466,012	S *	11/2002	Baker	D9/416
D523,743	S *	6/2006	Solowiejko	D3/294
D534,072	S *	12/2006	Novos	D9/431
D594,321	S *	6/2009	Tanaka	D9/420
D644,511	S *	9/2011	England	D9/432
8,083,094	B2	12/2011	Caulfield et al.	
D653,537	S *	2/2012	Lee	B65D 83/04 D9/432
8,448,814	B2	5/2013	Yamamoto et al.	
D684,458	S *	6/2013	Lee	D9/414
D686,491	S *	7/2013	Kuo	D9/432
D707,551	S *	6/2014	Westphal	D9/430
D728,362	S *	5/2015	Kelly	D9/420
9,090,385	B2	7/2015	Blagojevic	
2004/0173613	A1	9/2004	Schroeder et al.	
2010/0193533	A1	8/2010	Roesler	
2011/0174639	A1	7/2011	Sibley	
2011/0233076	A1	9/2011	Potterfield et al.	
2014/0008377	A1	1/2014	Findleton	
2015/0284151	A1	10/2015	Blagojevic	
2016/0167841	A1	6/2016	Blagojevic	

FOREIGN PATENT DOCUMENTS

GB	671086	A	4/1952
WO	2006070965	A1	7/2006
WO	2015010136	A1	1/2015

OTHER PUBLICATIONS

Apr. 1, 2016, International Search Report of the International Searching Authority from The U.S. Receiving Office, in PCTUS2015066187, which is the another application of applicant Stevan Blagojevic.

Apr. 1, 2016, Written Opinion of the International Searching Authority from The U.S. Receiving Office, in PCTUS2015066187, which is the another application of applicant Stevan Blagojevic.

Nov. 3, 2014, First Action Interview Pilot Program Pre-Interview Communication from The U.S. Patent and Trademark Office, in U.S. Appl. No. 14/337,119, which is another application of applicant Stevan Blagojevic.

Nov. 12, 2014, International Search Report of the International Searching Authority from The U.S. Receiving Office, in PCTUS2014047488, which is another application of applicant Stevan Blagojevic.

Nov. 12, 2014, Written Opinion of the International Searching Authority from The U.S. Receiving Office, in PCTUS2014047488, which is another application of applicant Stevan Blagojevic.

Feb. 2, 2015, First Action Interview Office Action from The U.S. Patent and Trademark Office, in U.S. Appl. No. 14/337,119, which is another application of applicant Stevan Blagojevic.

Jan. 28, 2016, International Preliminary Report on Patentability from The International Bureau of WIPO, in PCT Patent Application PCT/US2014/047488, which is an international application of applicant Stevan Blagojevic.

Oct. 18, 2016, Office action from the U.S. Patent and Trademark Office in U.S. Appl. No. 14/971,831, which is another application of Applicant Stevan Blagojevic.

Jun. 29, 2016, First Action Interview Pilot Program Pre-Interview Communication from the U.S. Patent and Trademark Office in U.S. Appl. No. 14/745,149, which is another application of Applicant Stevan Blagojevic.

Oct. 18, 2016, Office action from the U.S. Patent and Trademark Office in U.S. Appl. No. 14/745,149, which is another application of Applicant Stevan Blagojevic.

Oct. 26, 2016, First Action Interview Office action from the U.S. Patent and Trademark Office in U.S. Appl. No. 14/745,149, which is another application of Applicant Stevan Blagojevic.

Cabela's, photographs of ammunition box (big box), Applicant indicates to consider it as if prior art but date is unknown, circa before Jul. 18, 2013.

Cabela's, photographs of ammunition box (little box), Applicant indicates to consider it as if prior art but date is unknown, circa before Jul. 18, 2013.

Unknown author, photographs of storage box with slats (purple box), Applicant indicates to consider it as if prior art but date is unknown, circa before Jul. 18, 2013.

Unknown author, photographs of closable capsule (1 of 2), Applicant indicates to consider it as if prior art but date is unknown, circa before Jul. 18, 2013.

Unknown author, photographs of closable capsule (2 of 2), Applicant indicates to consider it as if prior art but date is unknown, circa before Jul. 18, 2013.

Feb. 8, 2017, First Office Action from the State Intellectual Property Office of China, in Chinese Application No. 201480040942.0, which is a foreign application of Applicant Stevan Blagojevic.

* cited by examiner

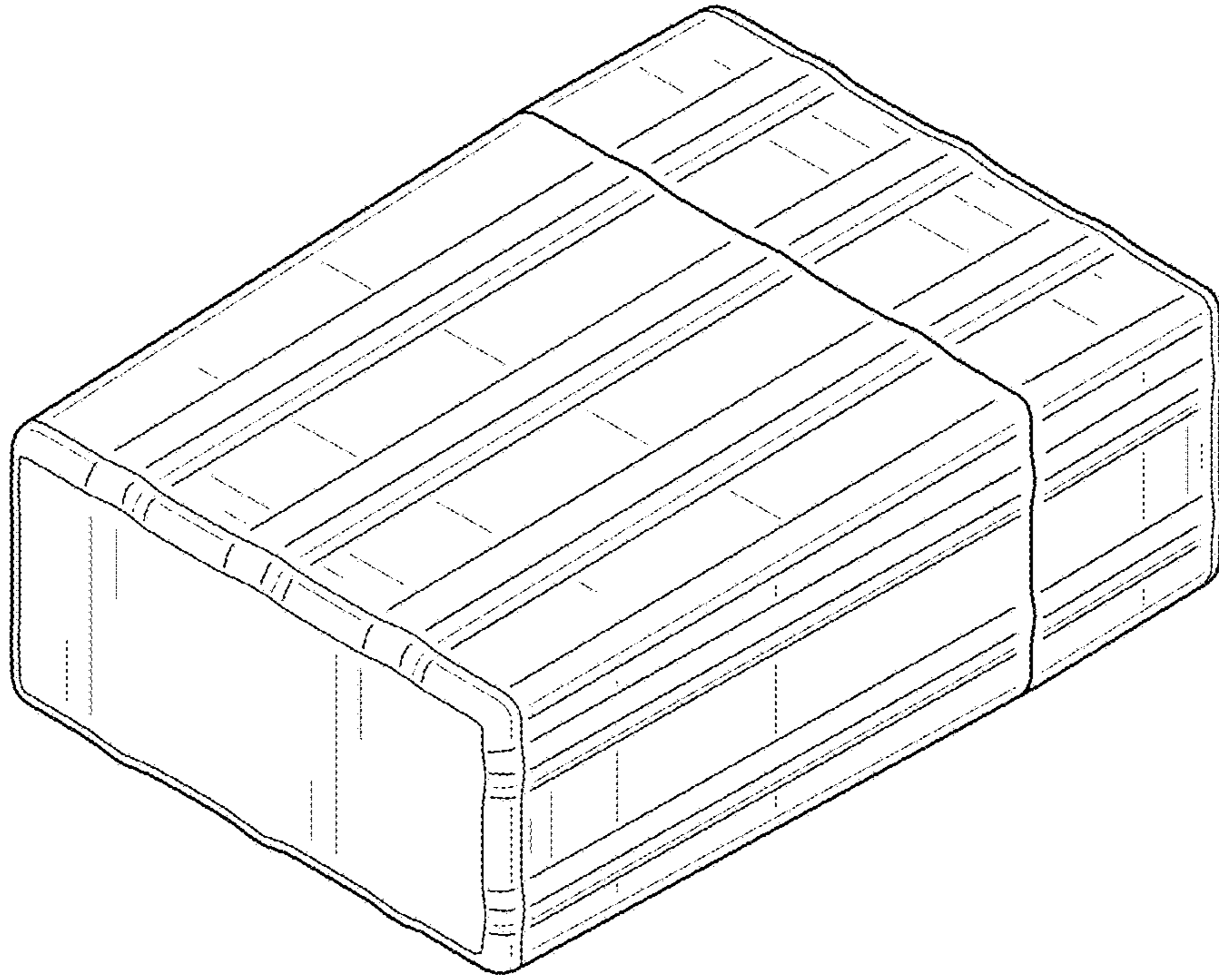


FIG. 1

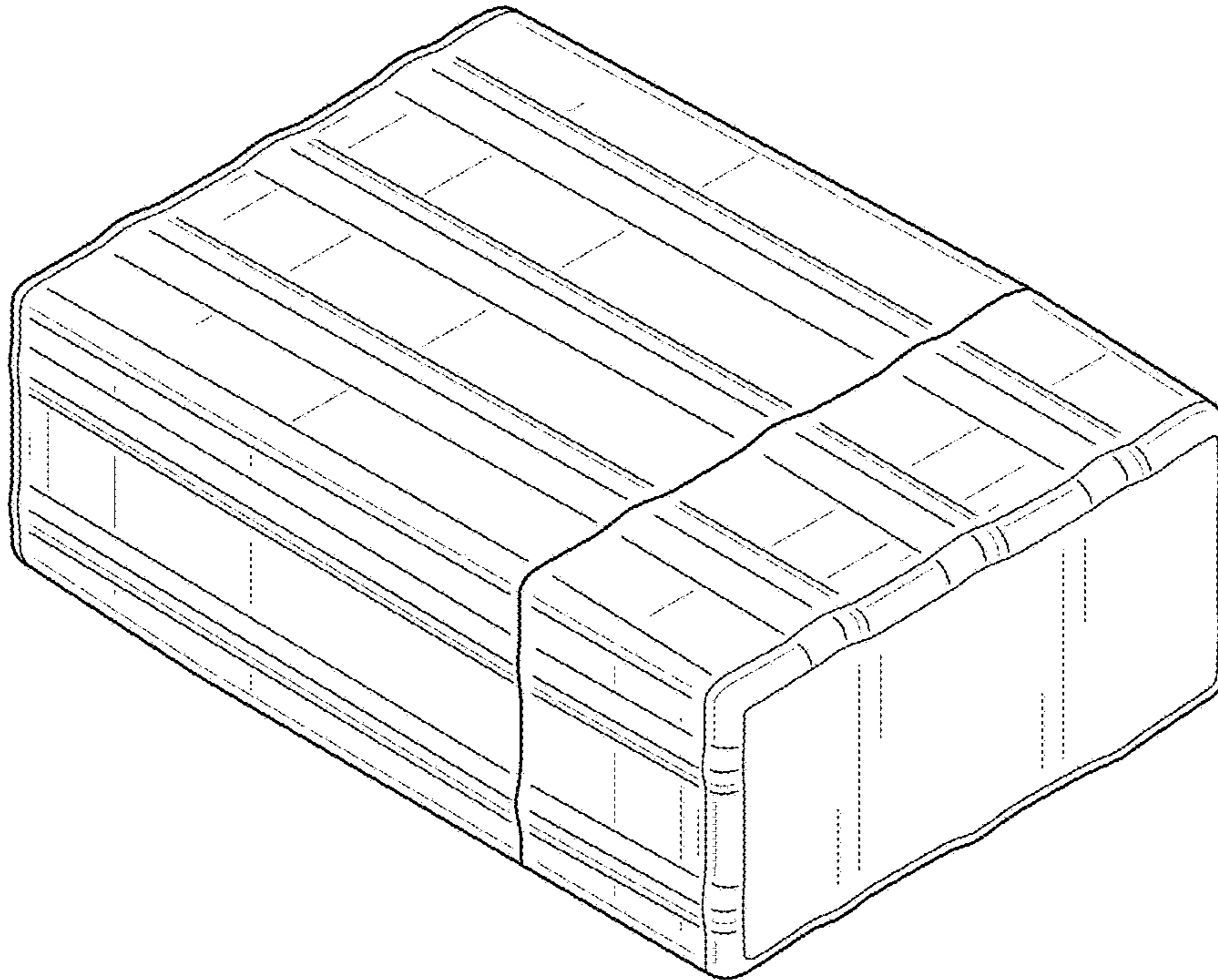


FIG. 2

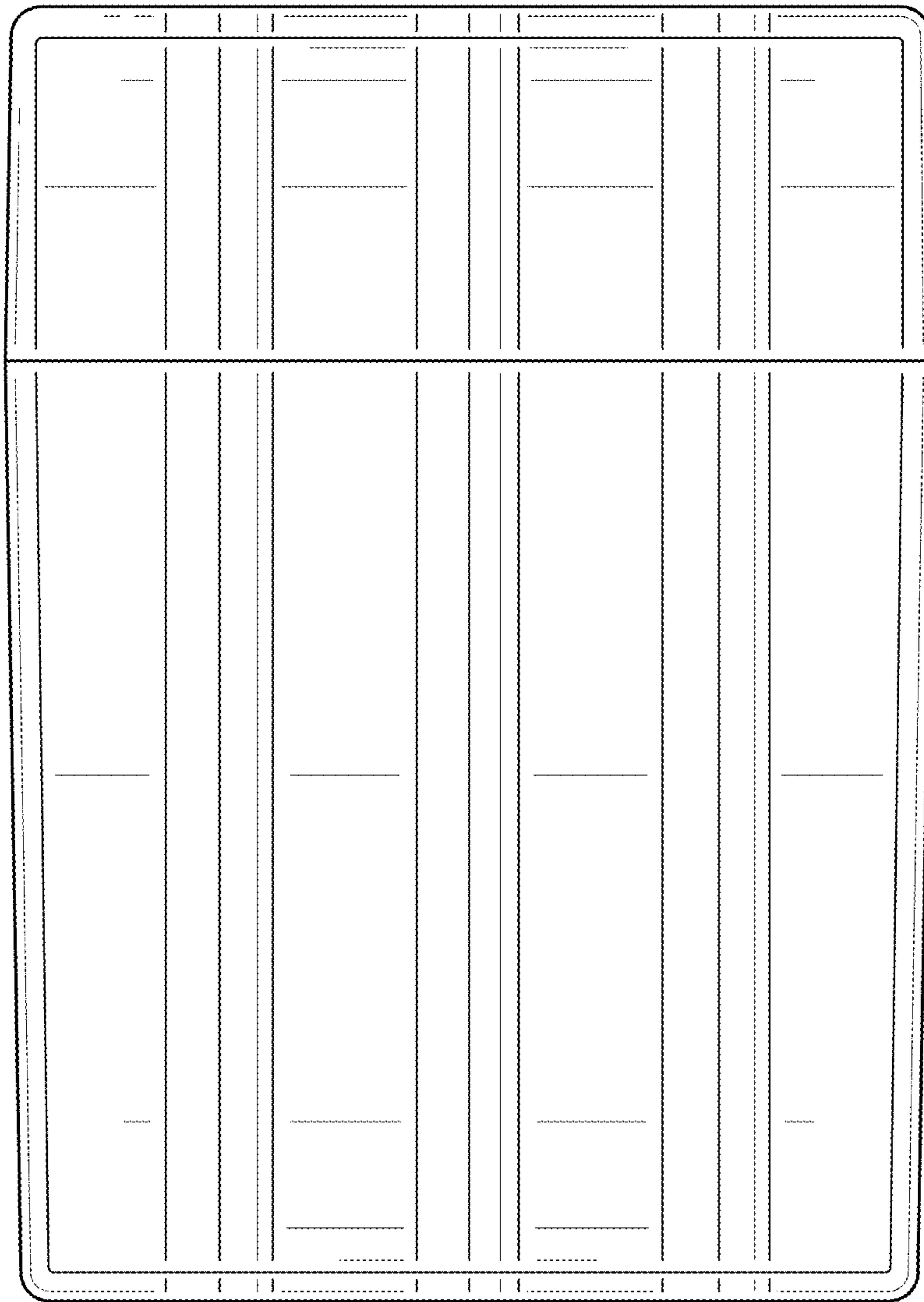


FIG. 3



FIG. 4

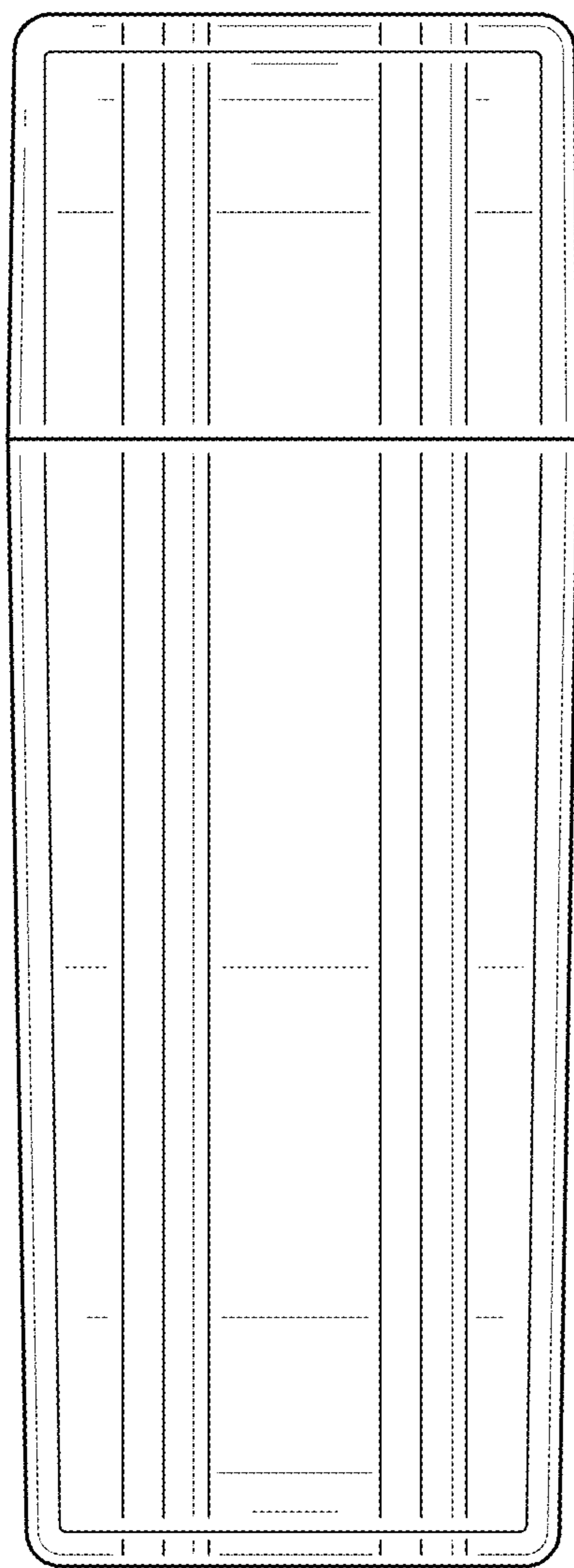


FIG. 5

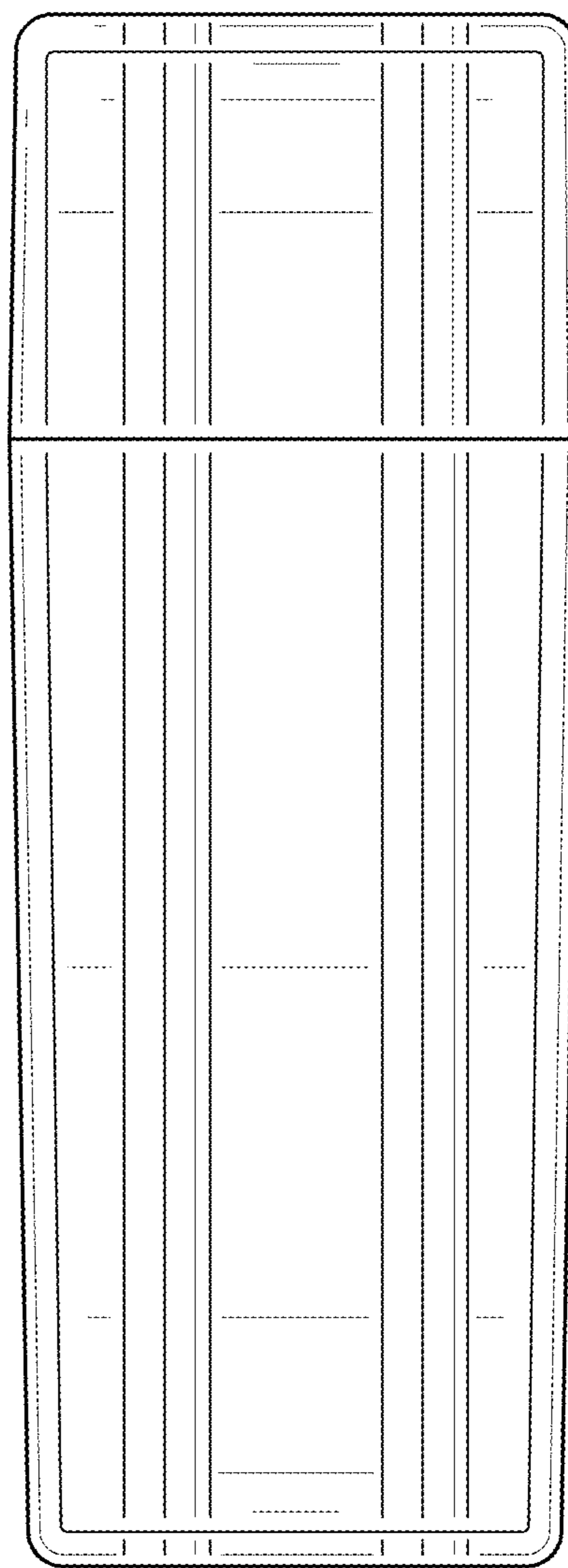


FIG. 6

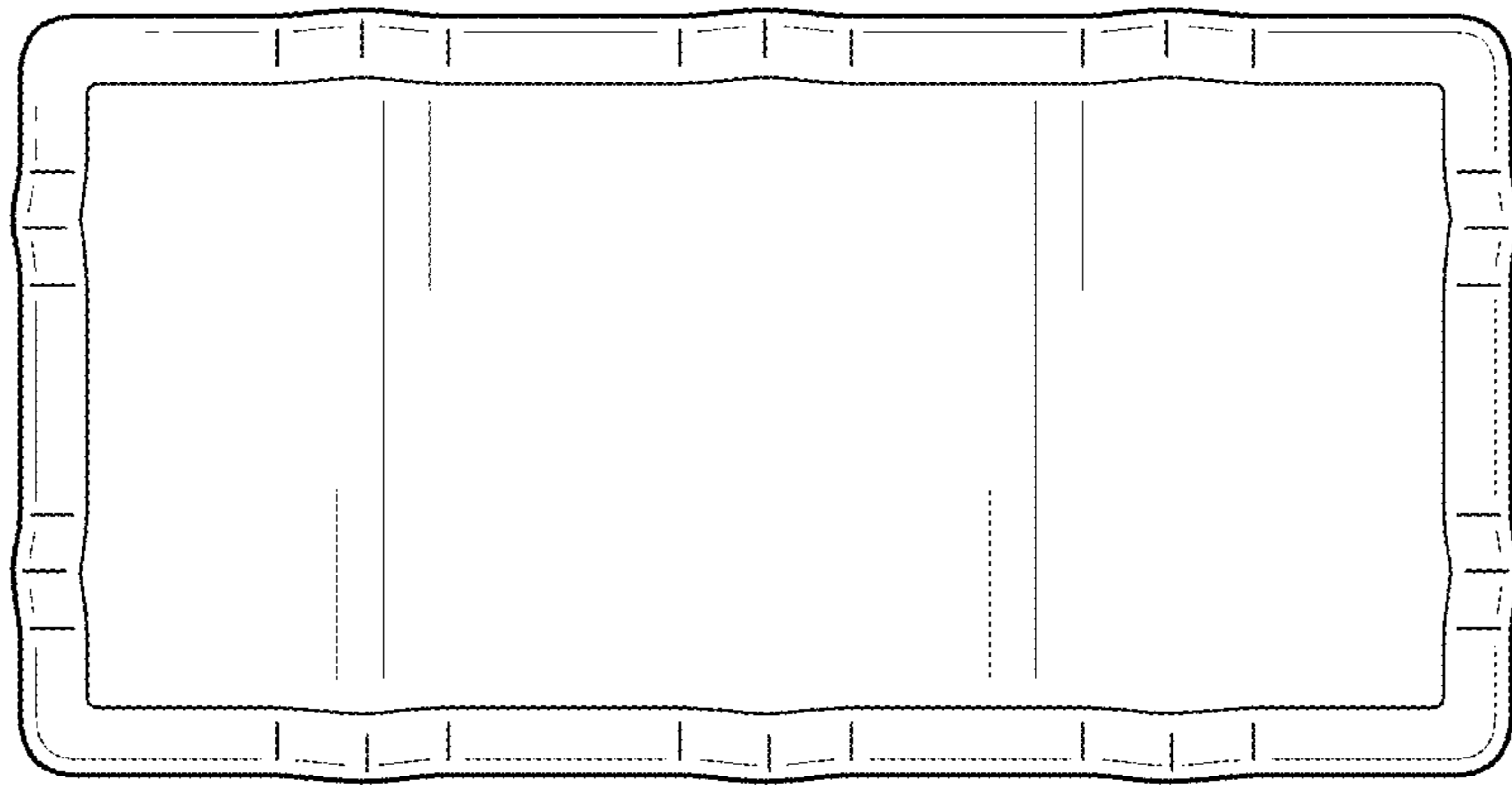


FIG. 7

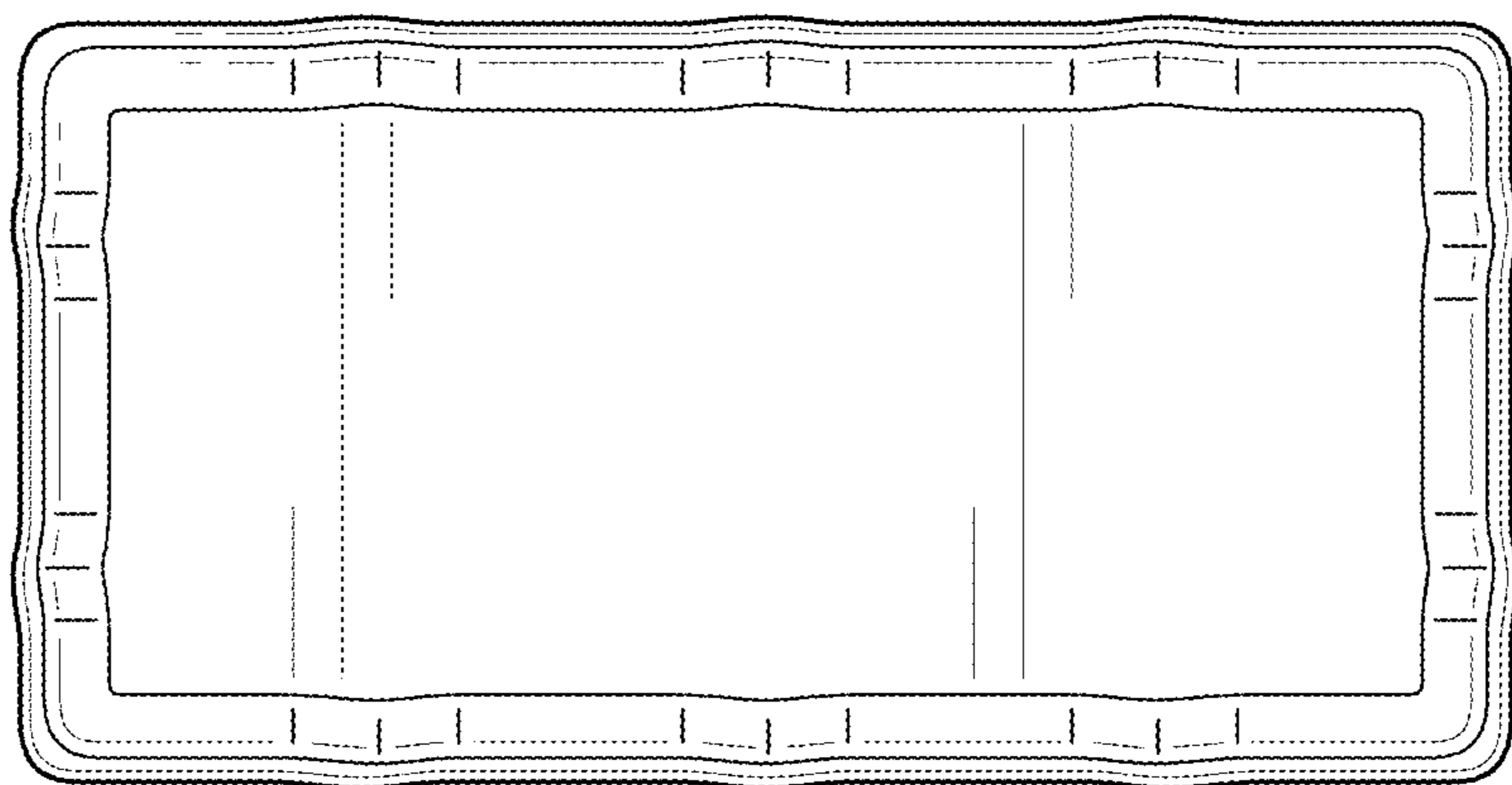


FIG. 8

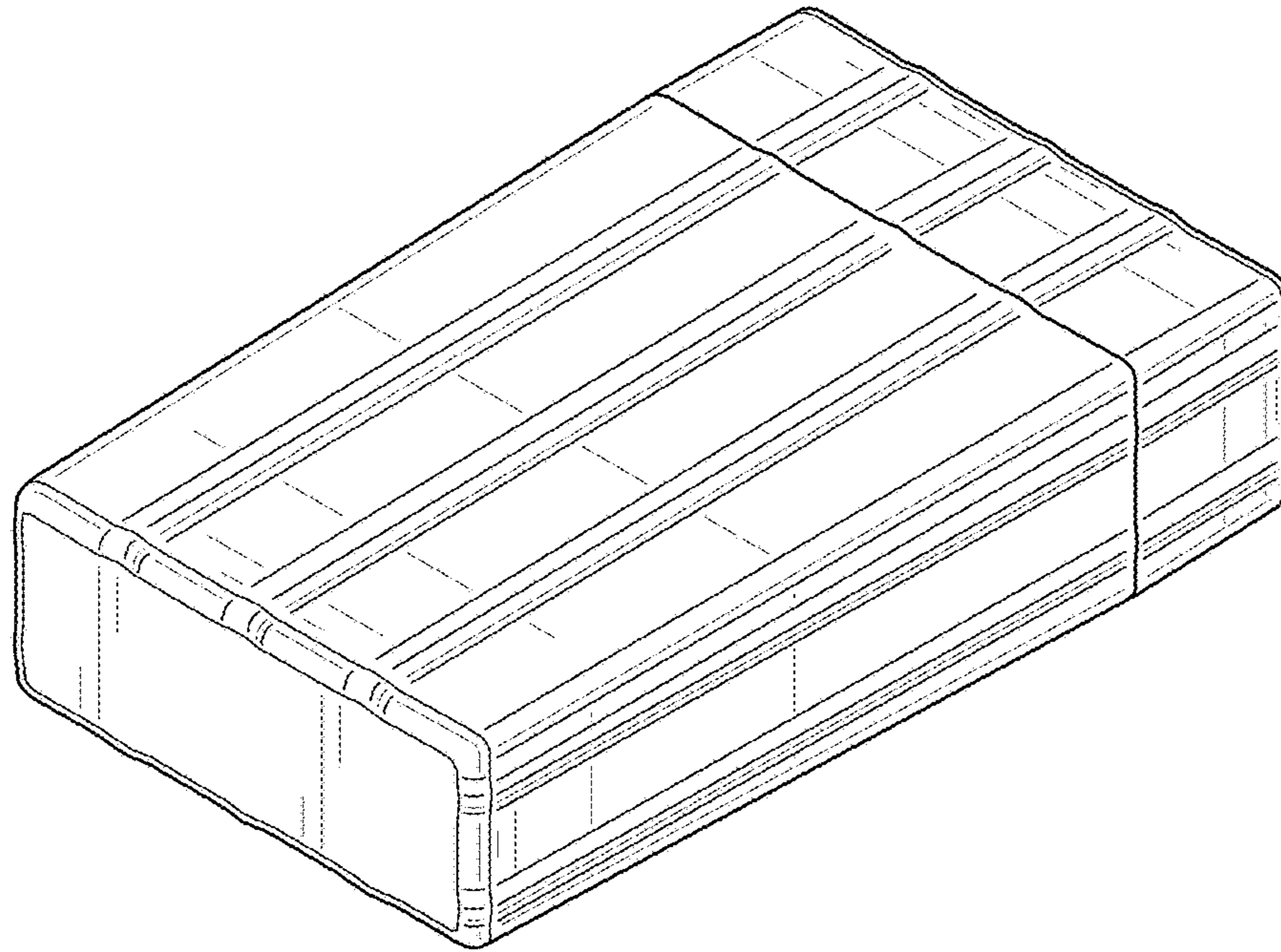


FIG. 9

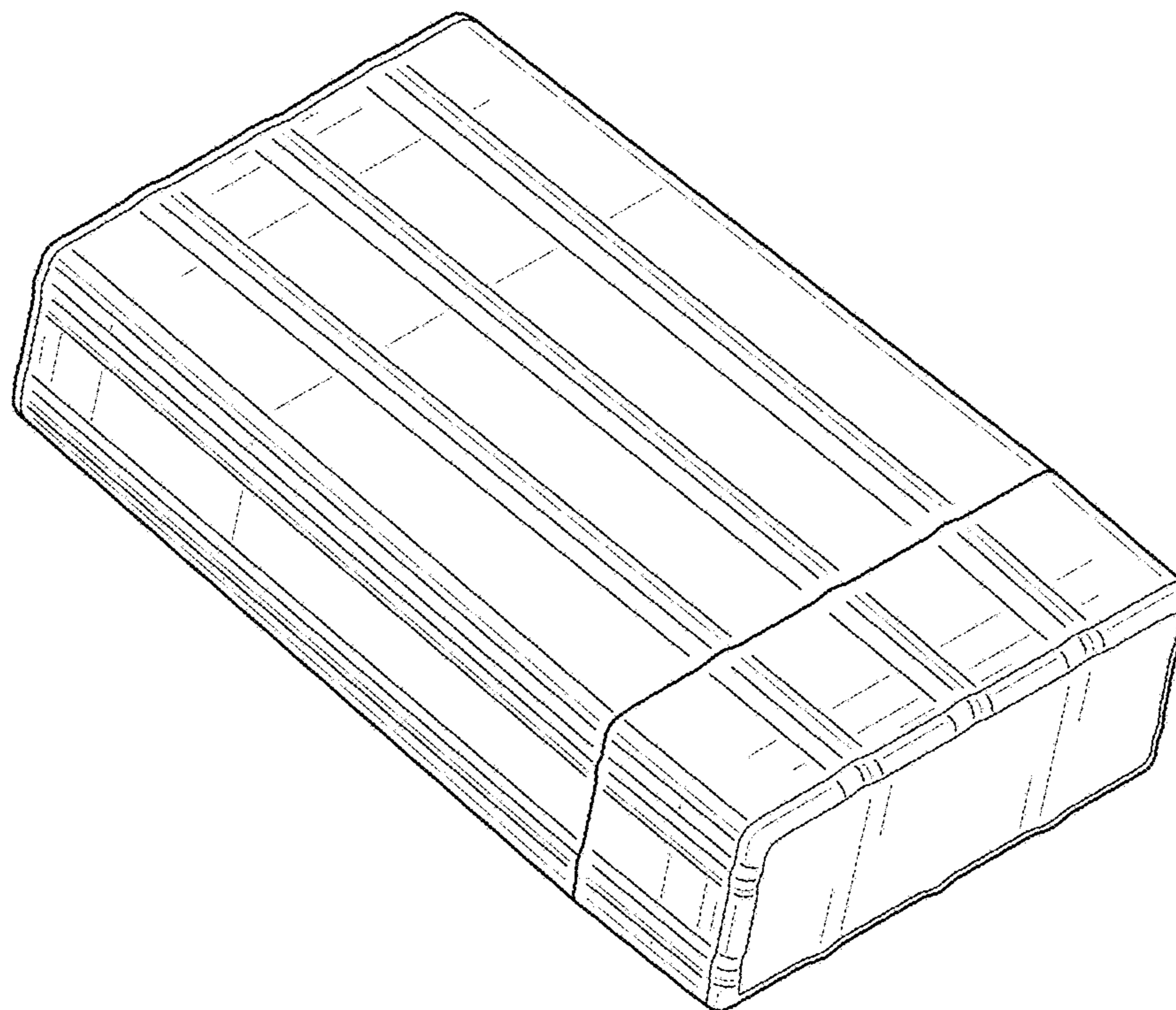


FIG. 10

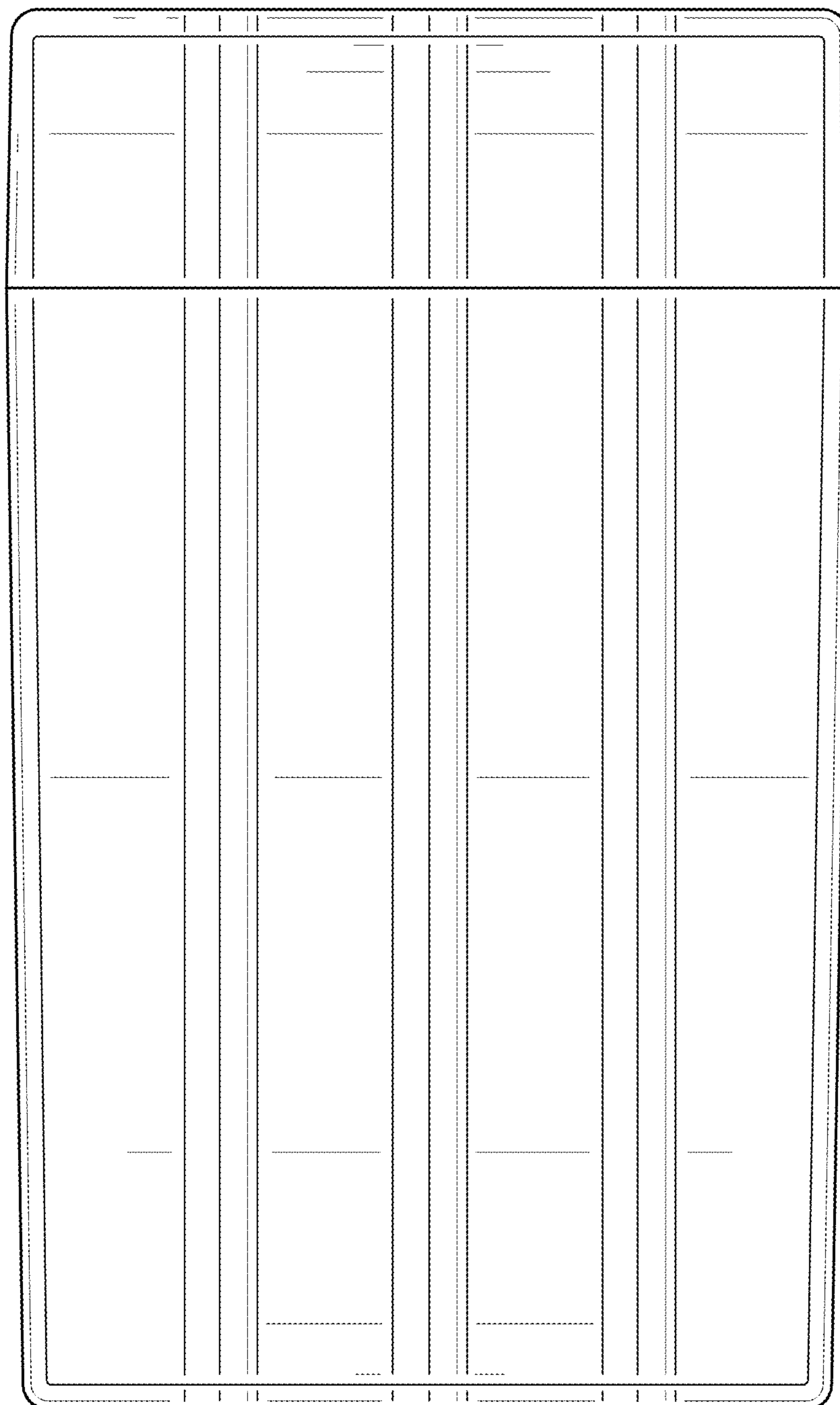


FIG. 11

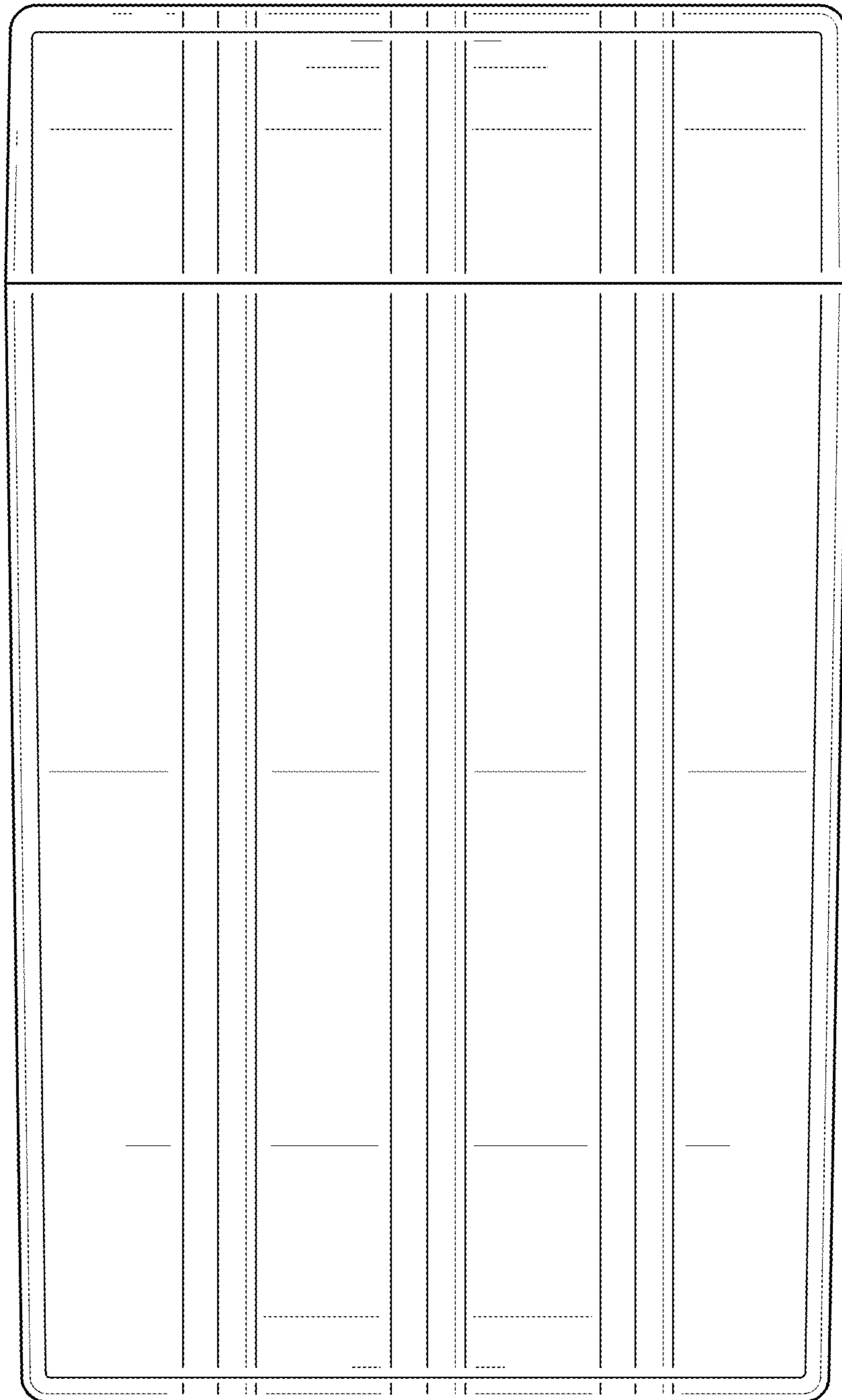


FIG. 12

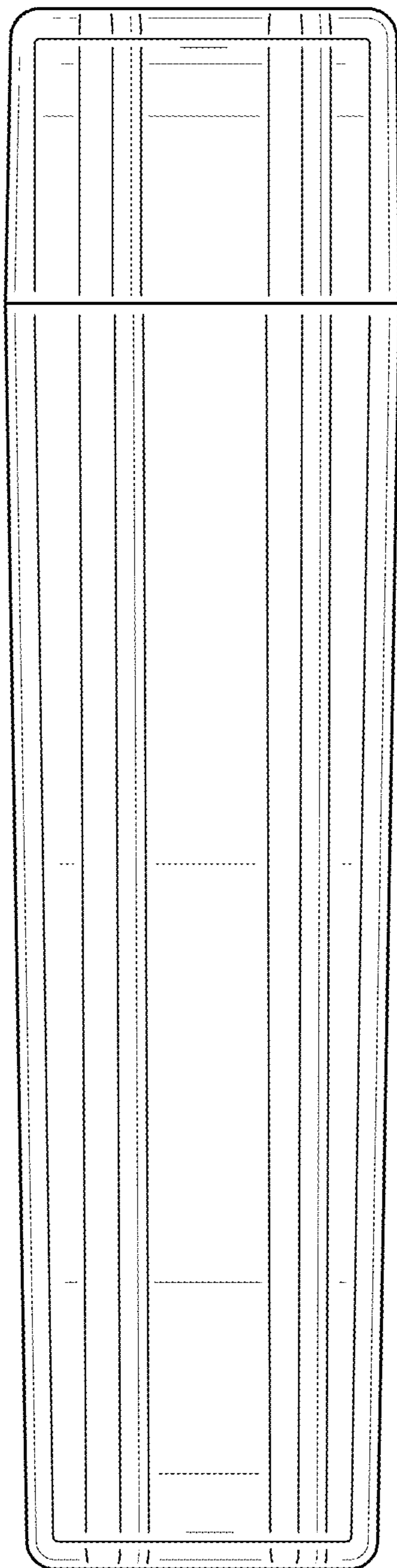


FIG. 13

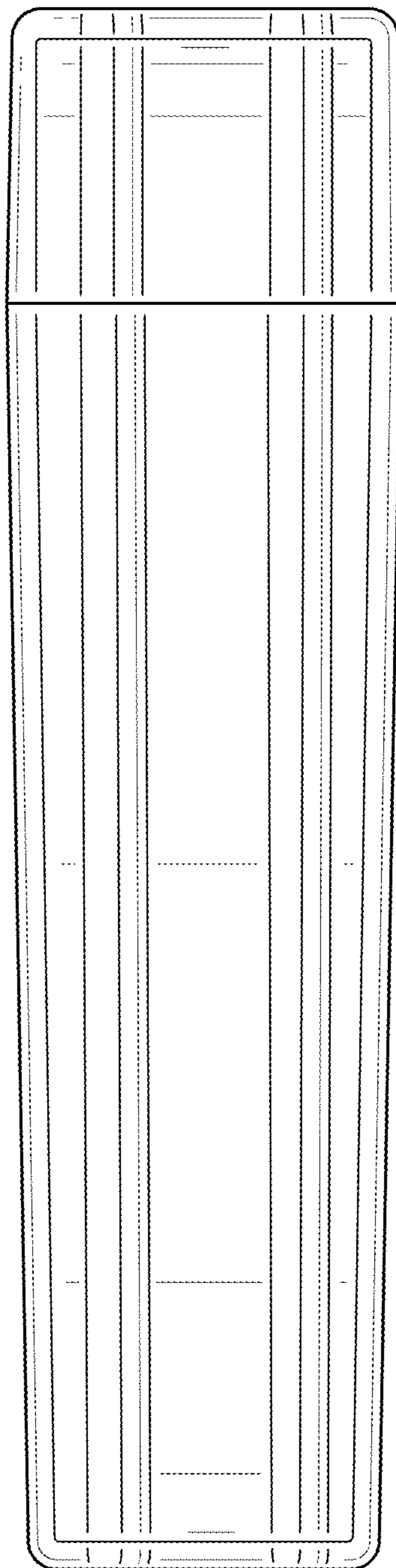


FIG. 14

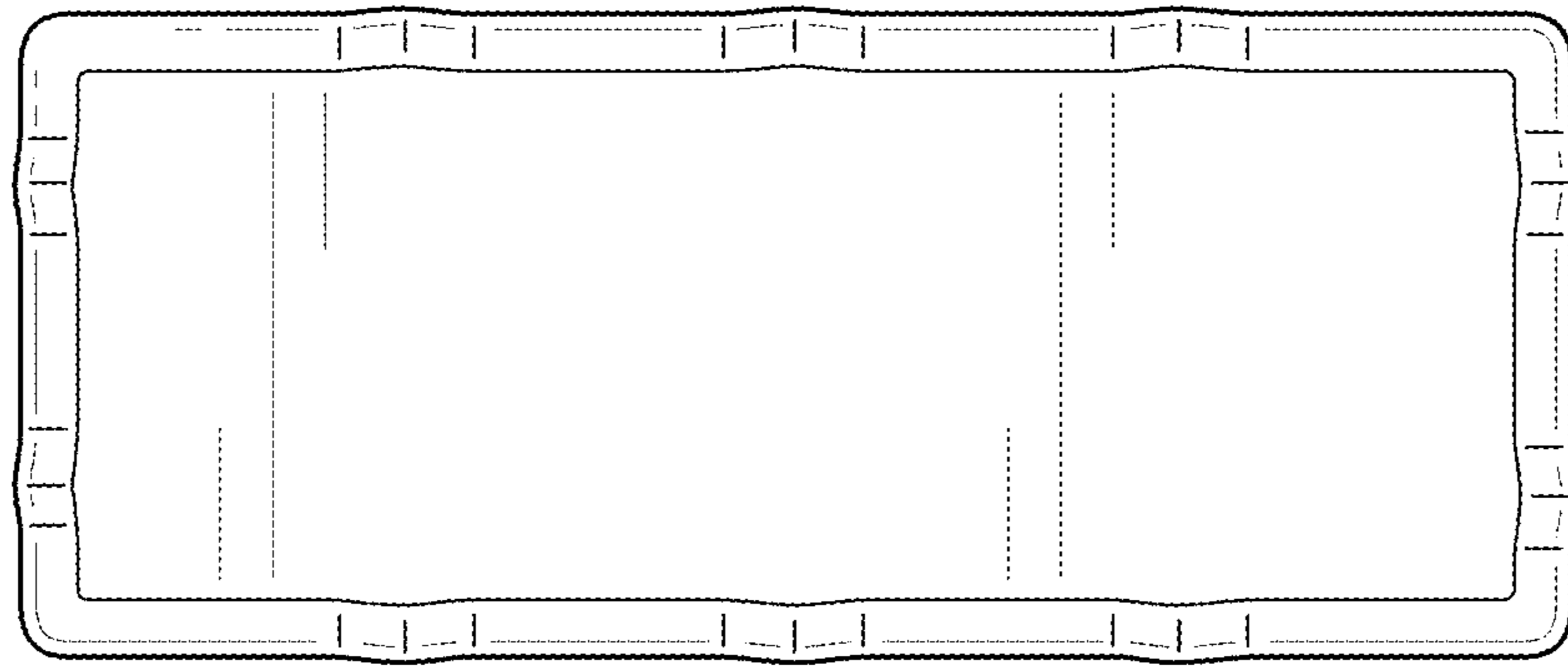


FIG. 15

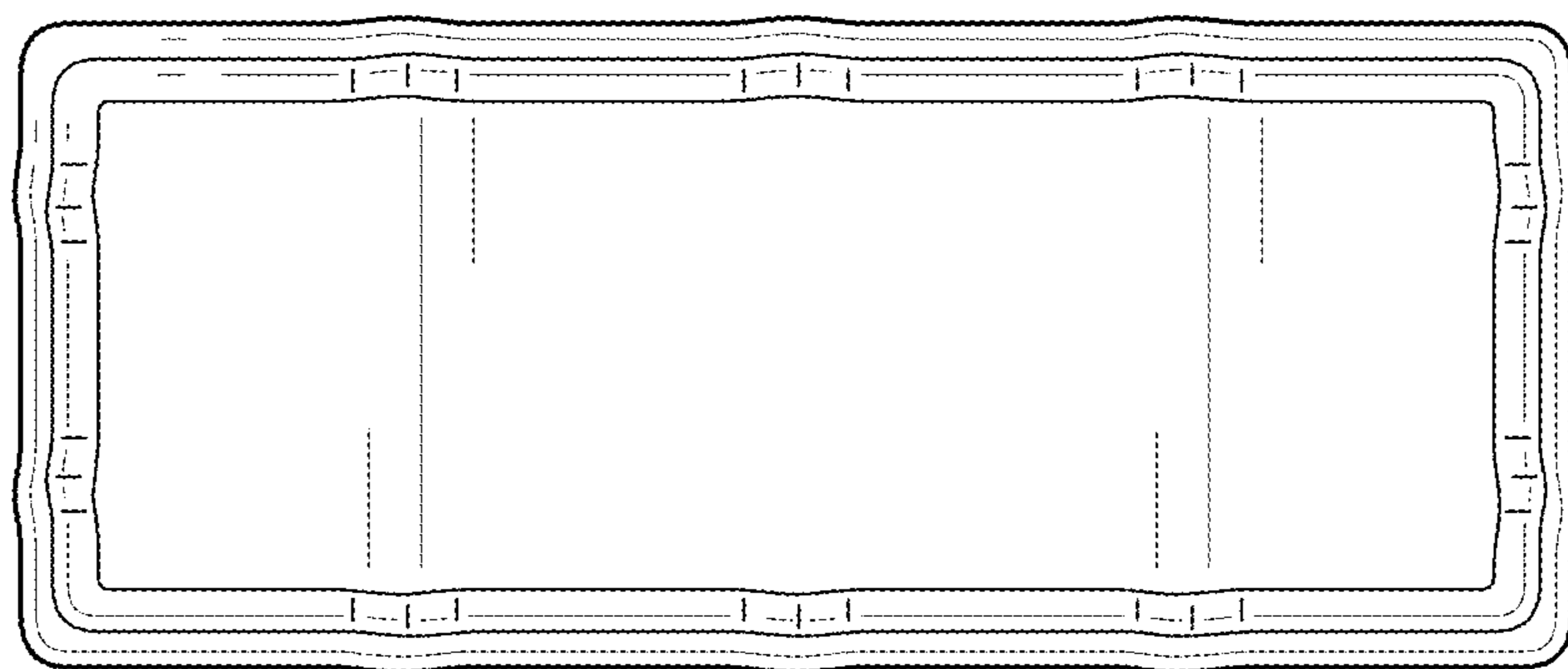


FIG. 16