



US00D790961S

(12) **United States Design Patent**
von der Mühlen

(10) **Patent No.:** **US D790,961 S**

(45) **Date of Patent:** **** Jul. 4, 2017**

(54) **TABLE CONNECTOR**

(71) Applicant: **PLAKO GMBH**, Ennepetal (DE)

(72) Inventor: **Roland von der Mühlen**, Ennepetal (DE)

(**) Term: **15 Years**

(21) Appl. No.: **35/500,875**

(22) Filed: **Mar. 15, 2016**

(80) **Hague Agreement Data**

Int. Filing Date: **Mar. 15, 2016**

Int. Reg. No.: **DM/090205**

Int. Reg. Date: **Mar. 15, 2016**

Int. Reg. Pub. Date: **Apr. 29, 2016**

(51) **LOC (10) Cl.** **08-08**

(52) **U.S. Cl.**
USPC **D8/382**

(58) **Field of Classification Search**
USPC D8/349, 374, 382, 353, 366, 403;
D6/709.21, 708.24
CPC A47B 47/0008; A47B 47/0016; A47B
47/0058; A47B 47/0033; A47B 47/0041;
A47B 47/005; A47B 47/028; A47B
87/002; E05C 3/04; F16B 12/40; F16B
12/44; F16B 2012/403; F16B 2012/406;
F16B 7/0486; F16B 7/0426; Y10T
403/42; Y10T 403/4602
See application file for complete search history.

(56) **References Cited**

U.S. PATENT DOCUMENTS

3,915,100 A * 10/1975 Sullivan A47B 87/002
108/64
4,290,710 A * 9/1981 Waller A47B 87/02
248/475.1
D363,658 S * 10/1995 Barile D8/382

5,678,948 A * 10/1997 White A47B 1/00
108/64
5,794,545 A * 8/1998 McDaniel A47B 87/002
108/64
5,947,628 A * 9/1999 Hansen A47B 87/002
108/64
6,047,648 A * 4/2000 Alm A47B 87/002
108/157.16
6,324,997 B1 * 12/2001 Baker A47B 9/14
108/64
6,464,423 B1 * 10/2002 Klein A47B 87/002
292/101
6,598,542 B2 * 7/2003 Goldberg A47B 87/002
108/64
7,950,336 B2 * 5/2011 Phillips A47B 87/002
108/64
D741,695 S * 10/2015 Eddy D8/382
9,161,623 B1 * 10/2015 Lin A47B 87/002
9,402,473 B2 * 8/2016 Cottrell A47B 13/021
2006/0156678 A1 * 7/2006 Jauregui A47B 17/003
52/698

* cited by examiner

Primary Examiner — Darlington Ly

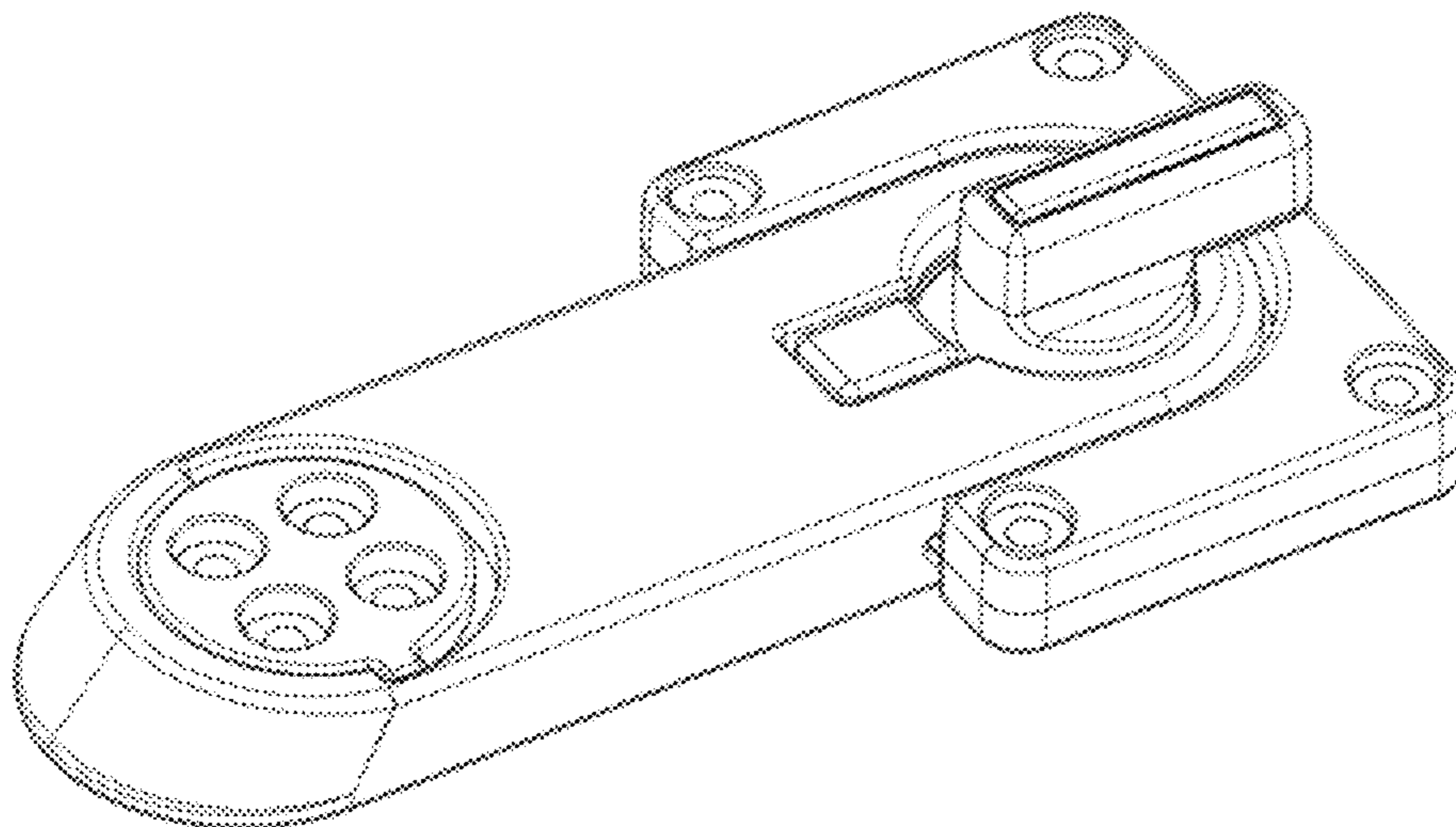
(57) **CLAIM**

The ornamental design for a table connector, as shown and described.

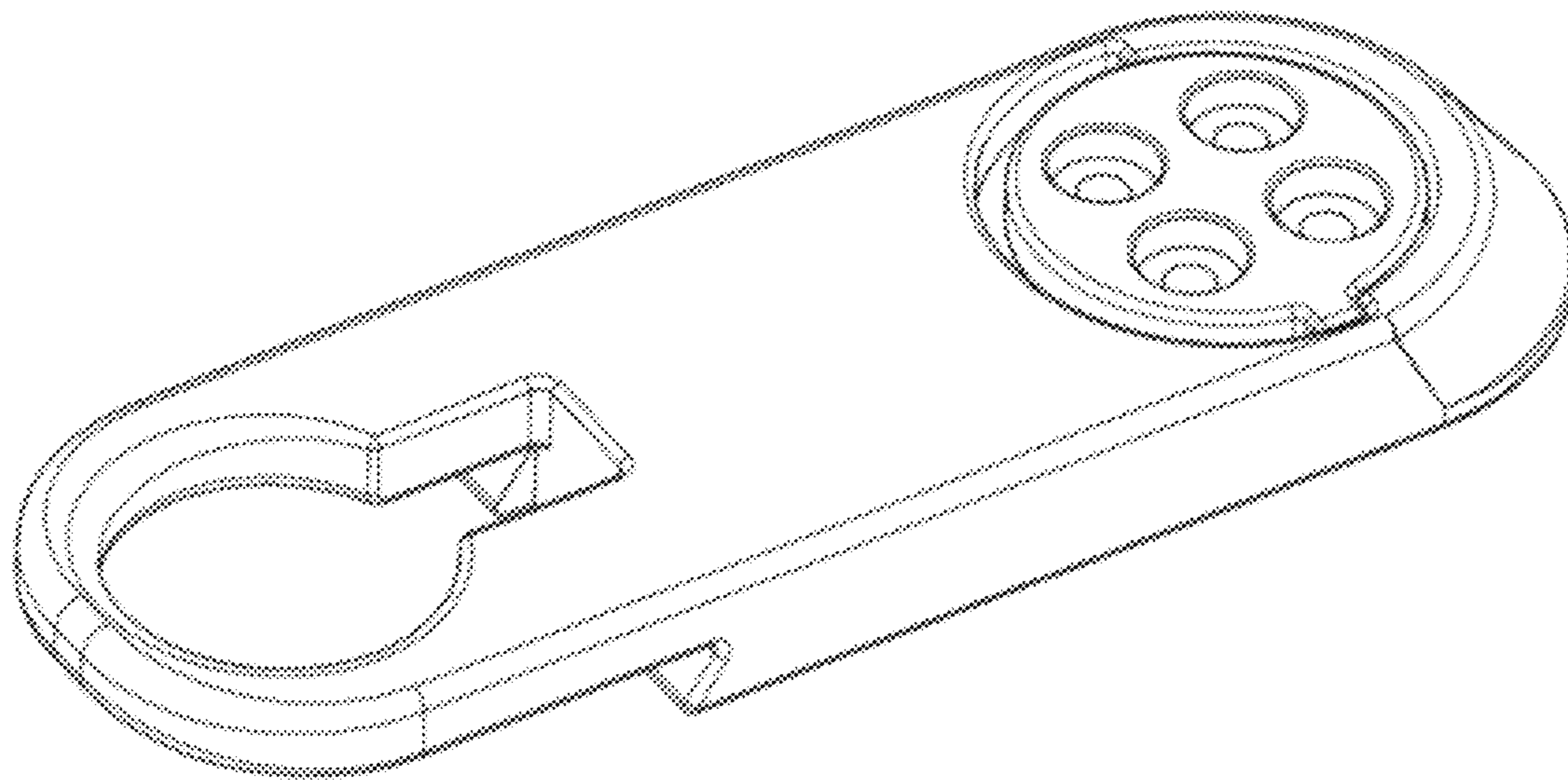
DESCRIPTION

1. Table connector
1.1 is a top perspective view of the female component of a table connector showing my new design;
1.2 is a top perspective of a table connector consisting of both the male and female components;
1.3 is a side elevation view of the table connector shown in 1.2;
1.4 is a top perspective view of the male component of the table connector; and,
1.5 is a top plan view of the table connector shown in 1.2 and 1.3.

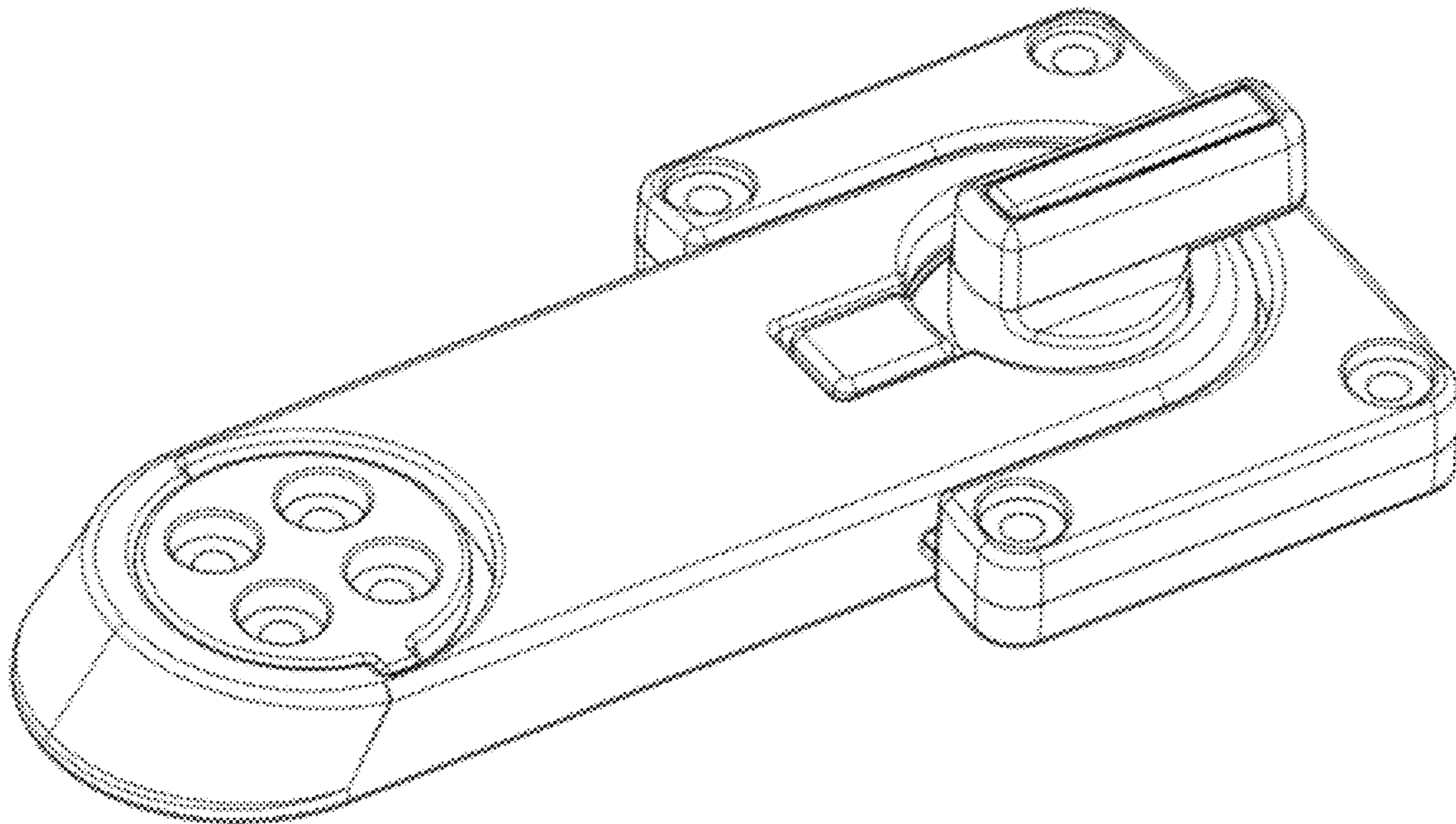
1 Claim, 5 Drawing Sheets



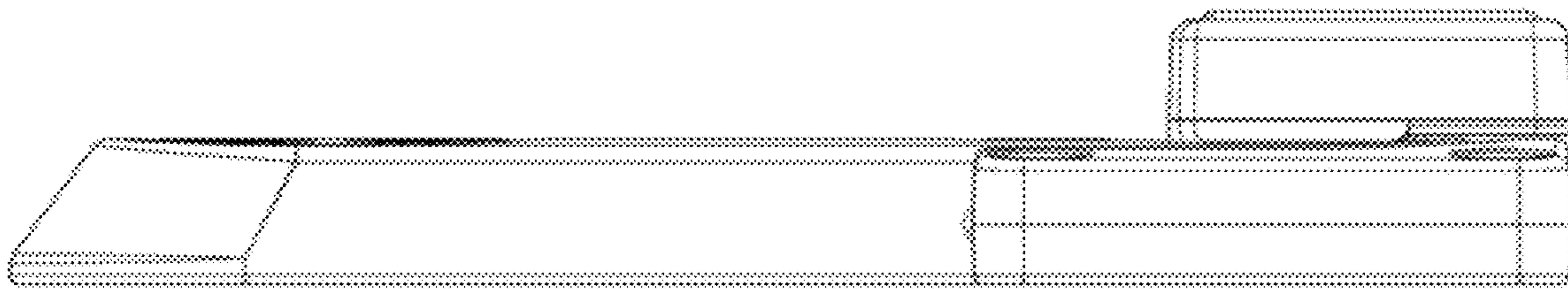
1.1



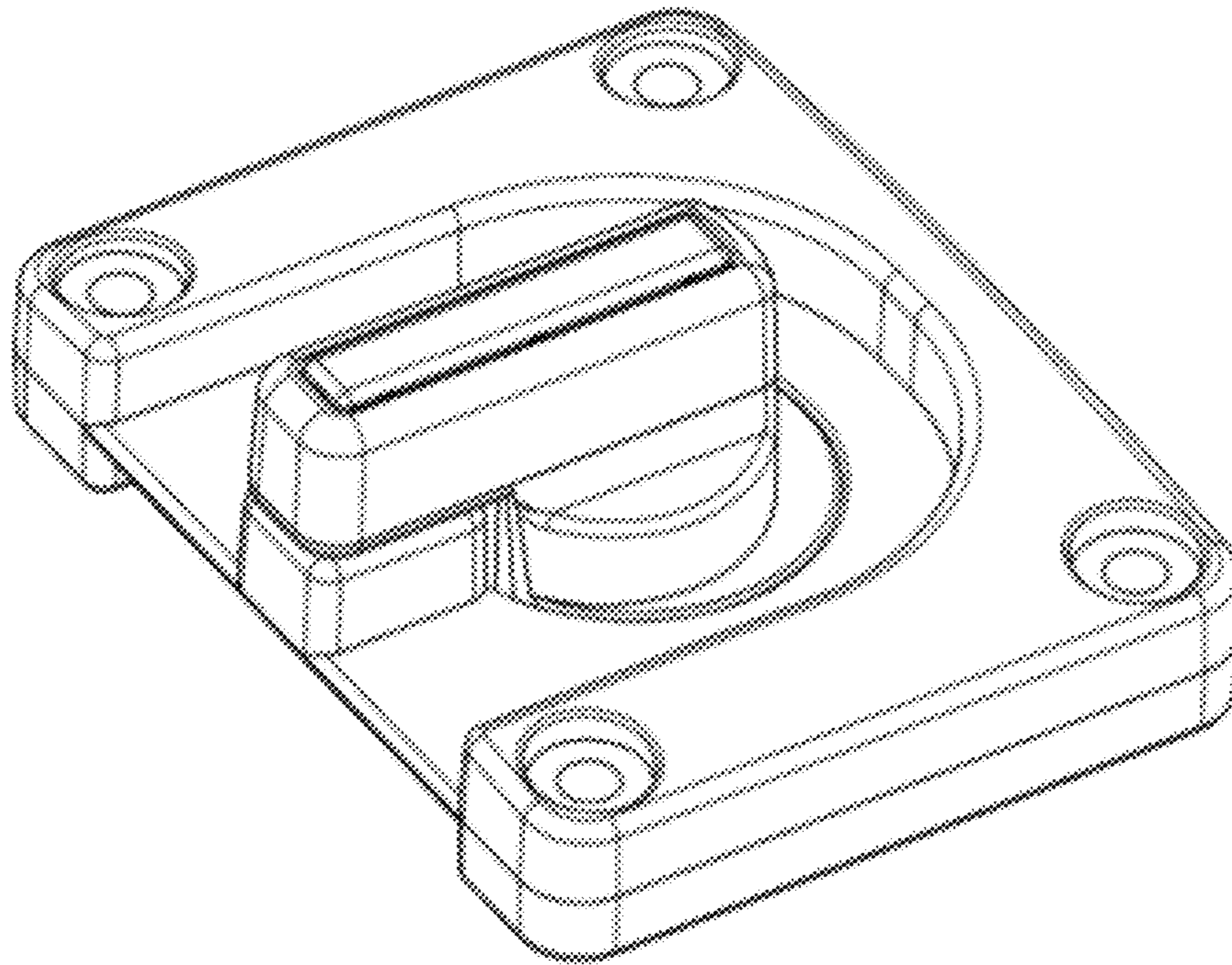
1.2



1.3



1.4



1.5

