



US00D790959S

(12) **United States Design Patent**  
**Mandile et al.**

(10) **Patent No.:** **US D790,959 S**

(45) **Date of Patent:** **\*\* Jul. 4, 2017**

(54) **TERMINATION FOR REINFORCING BAR**

(71) Applicant: **MB Couplers Pty Ltd**, Victoria (AU)

(72) Inventors: **Tony Mandile**, Skye (AU); **Norbert Schauer**, Delaneys Creek (AU)

(73) Assignee: **MB Couplers Pty Ltd**, Victoria (AU)

(\*\*) Term: **14 Years**

(21) Appl. No.: **29/513,955**

(22) Filed: **Jan. 7, 2015**

(30) **Foreign Application Priority Data**

Jul. 8, 2014 (AU) ..... 13320/2014  
Jul. 8, 2014 (AU) ..... 13323/2014

(51) **LOC (10) Cl.** ..... **08-08**

(52) **U.S. Cl.**  
USPC ..... **D8/382**

(58) **Field of Classification Search**  
USPC ..... D8/349, 354, 402, 499, 382, 396, 394,  
D8/352, 374; D6/329, 702, 712  
CPC ..... E04C 5/0653; E04C 5/01; E04C 5/122;  
E04C 5/125; E04C 5/127; E04C 5/16;  
E04C 5/161; E04C 5/165; E04C 5/162;  
F16B 7/22; Y10T 403/30; Y10T 403/65;  
Y10T 403/5773; Y10T 403/7045  
See application file for complete search history.

(56) **References Cited**

**U.S. PATENT DOCUMENTS**

709,400 A \* 9/1902 Fitzpatrick ..... F16B 7/22  
135/114  
2,315,414 A \* 3/1943 Germany ..... E21B 17/046  
24/572.1  
D269,495 S \* 6/1983 Finn ..... D8/47  
D282,048 S \* 1/1986 Scanlon ..... D8/349  
5,407,292 A \* 4/1995 Collins ..... E21B 17/04  
403/320

5,439,309 A \* 8/1995 Raz ..... E04B 1/1903  
403/316  
9,068,349 B2 \* 6/2015 Comerford ..... E04C 5/165  
2008/0245128 A1 \* 10/2008 Comerford ..... C21D 7/13  
72/377  
2008/0263987 A1 \* 10/2008 Leopolder ..... E04F 13/08  
52/588.1  
2015/0354216 A1 \* 12/2015 Comerford ..... B21F 15/08  
52/835

\* cited by examiner

*Primary Examiner* — Sandra Snapp

*Assistant Examiner* — Ieisha Price

(74) *Attorney, Agent, or Firm* — The Webb Law Firm

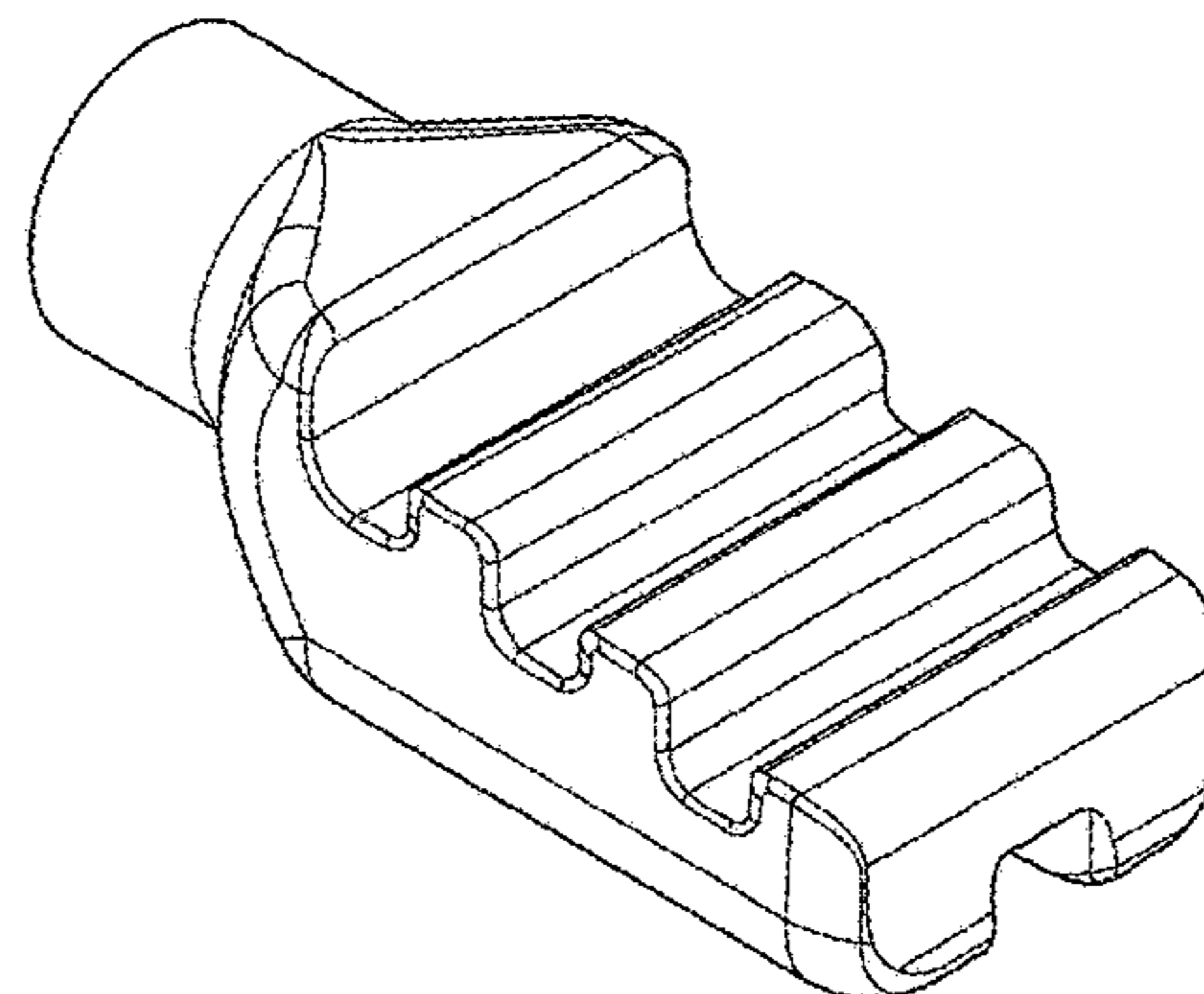
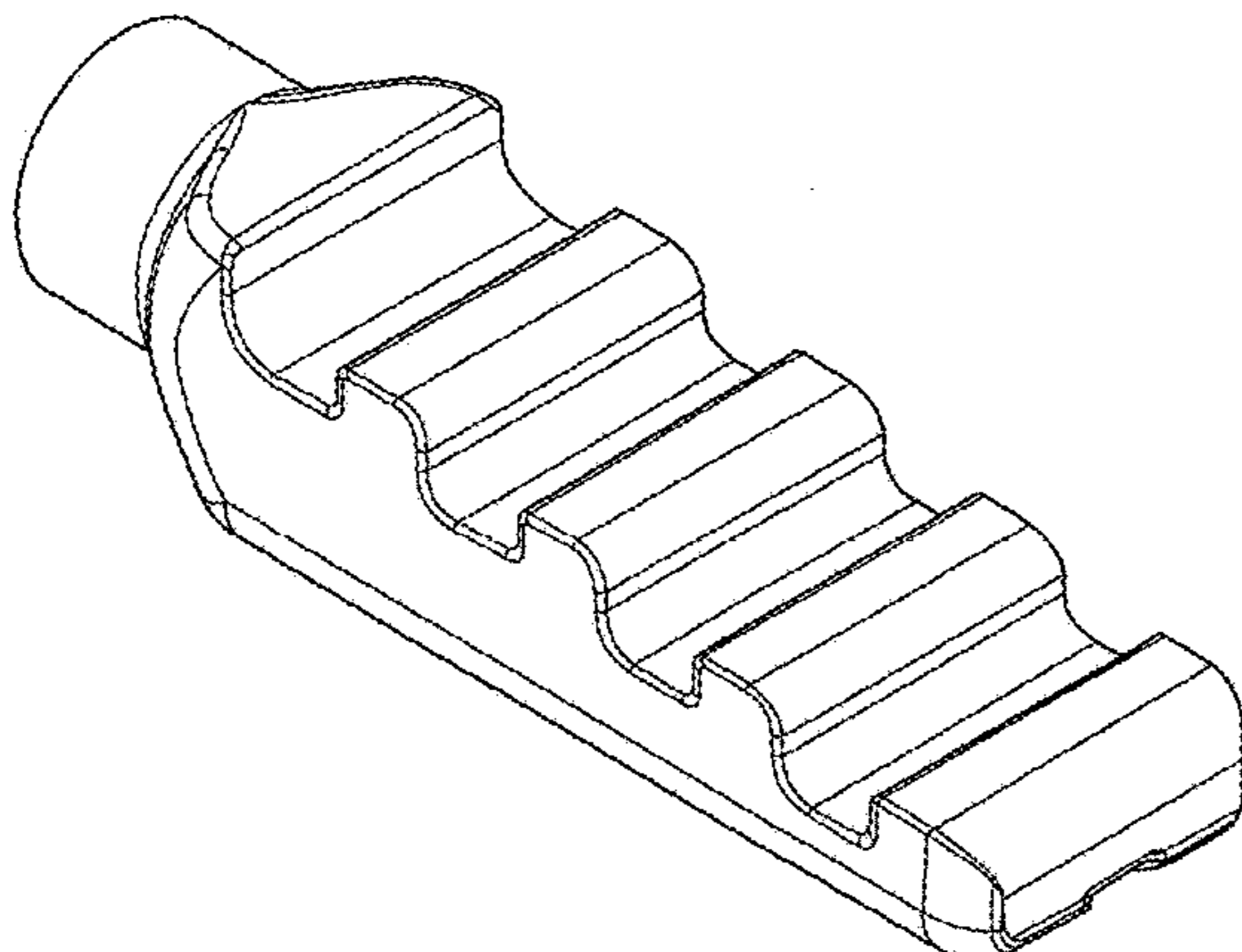
(57) **CLAIM**

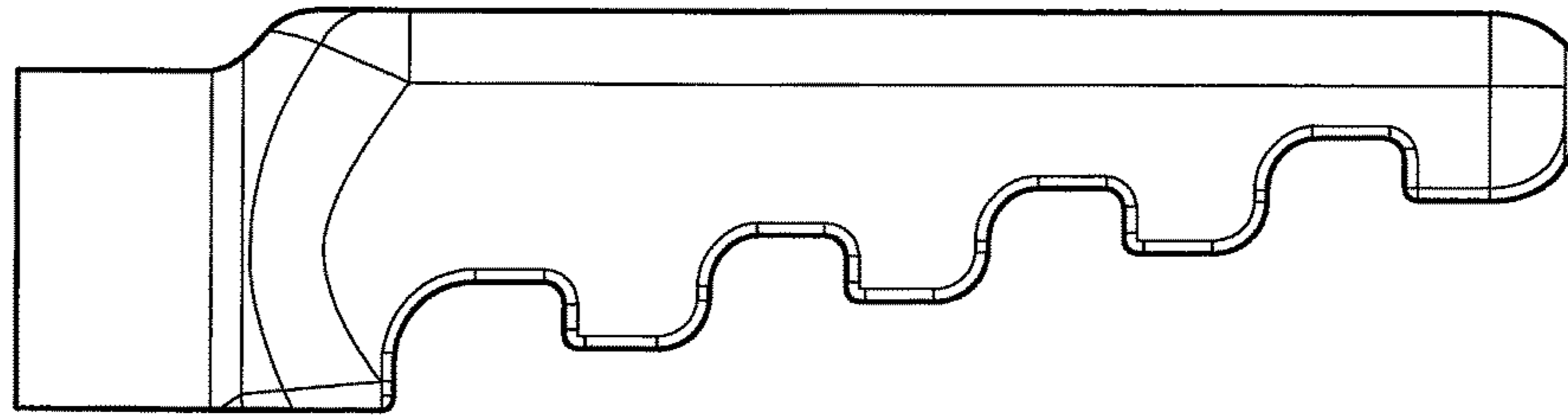
The ornamental design for a termination for reinforcing bar, as shown and described.

**DESCRIPTION**

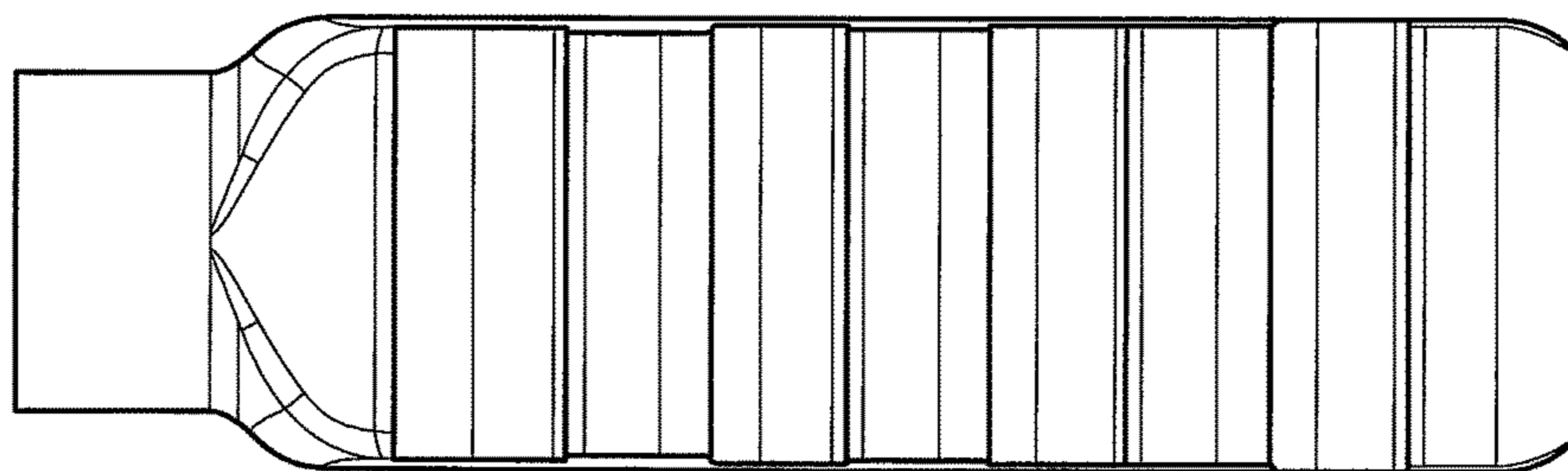
FIG. 1 is a left side view of a termination for reinforcing bar showing our new design in accordance with a first embodiment of the present invention;  
FIG. 2 is a bottom view thereof;  
FIG. 3 is a front view thereof looking from the right side of FIG. 2;  
FIG. 4 is a right side view thereof;  
FIG. 5 is a perspective view thereof;  
FIG. 6 is a top view thereof;  
FIG. 7 is a left side view of a termination for reinforcing bar showing our new design in accordance with a second embodiment of the present invention;  
FIG. 8 is a bottom view thereof;  
FIG. 9 is a front view thereof;  
FIG. 10 is a right side view thereof;  
FIG. 11 is a top view thereof; and  
FIG. 12 is a perspective view thereof.  
The broken lines in the drawings illustrate portions of the termination for reinforcing bar and form no part of the claimed design.

**1 Claim, 6 Drawing Sheets**

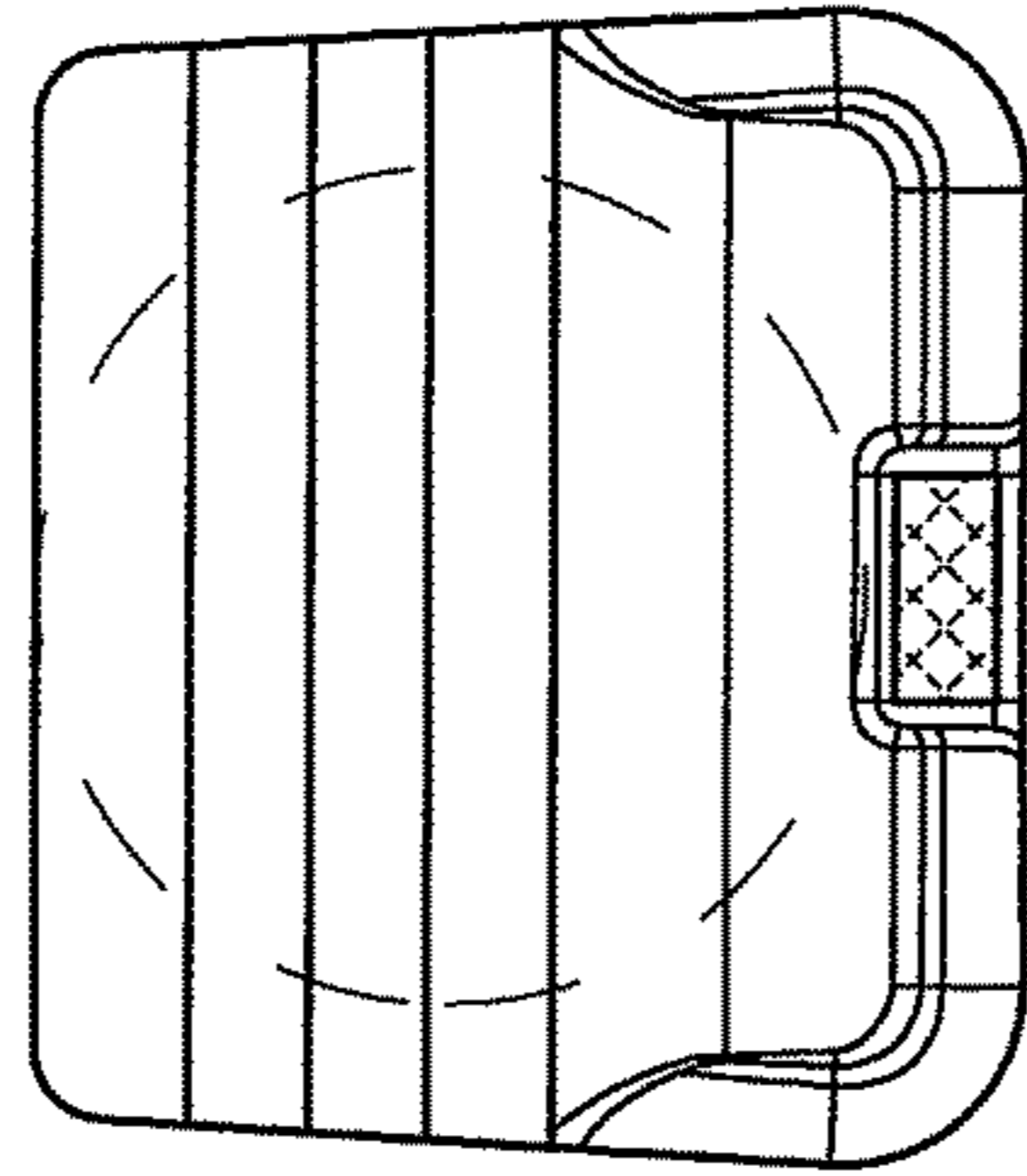




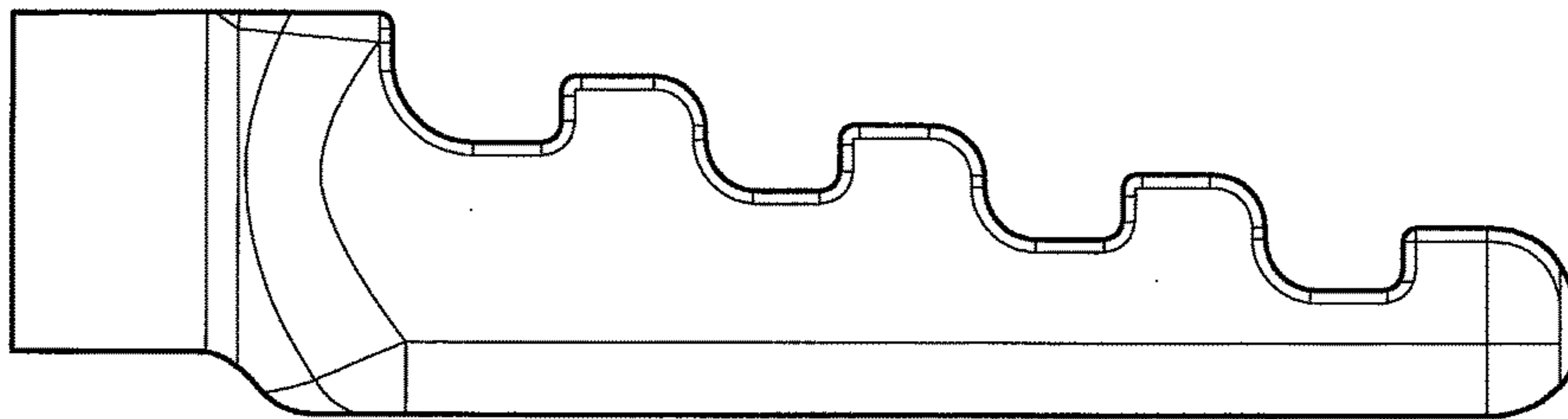
**FIG. 1**



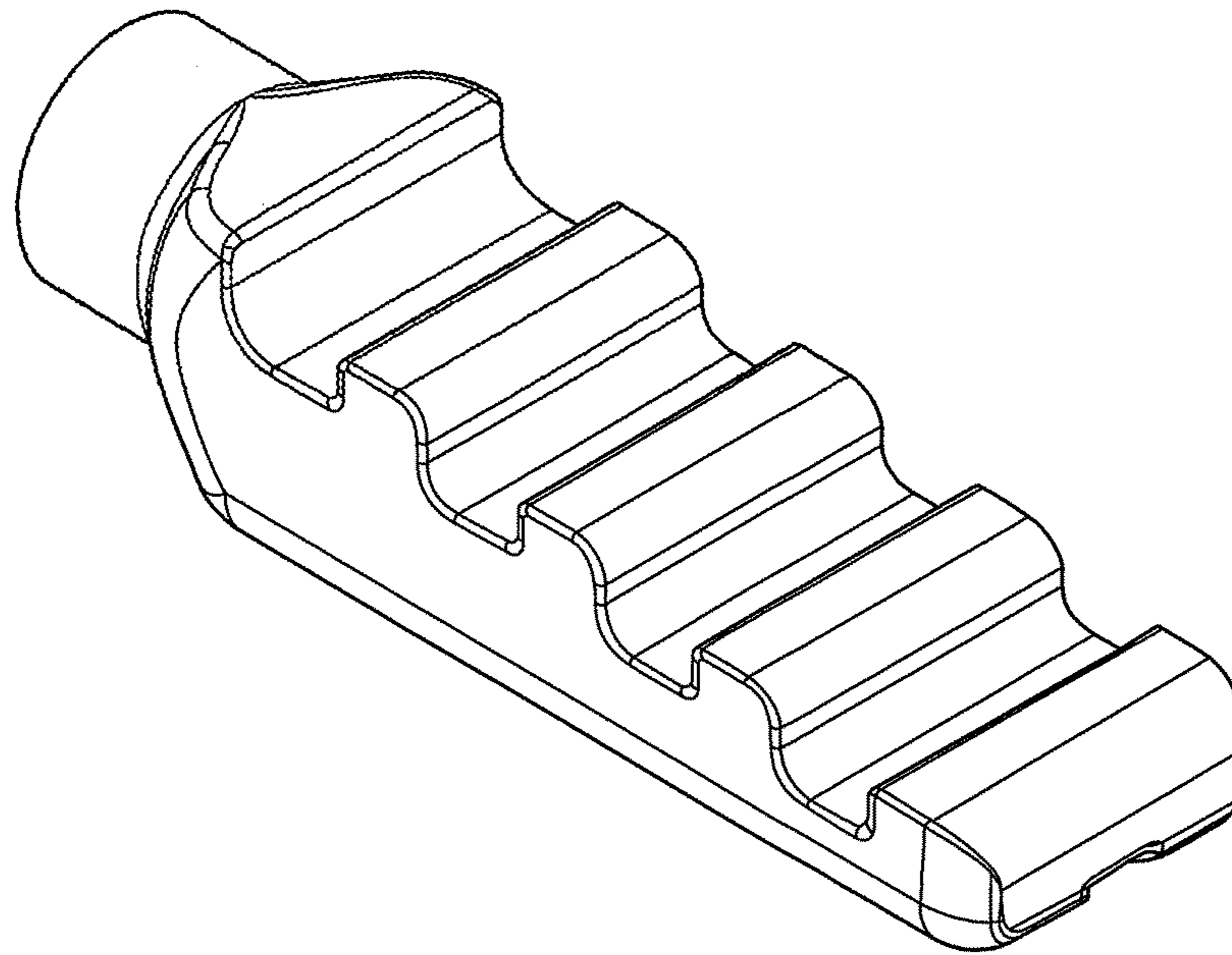
**FIG. 2**



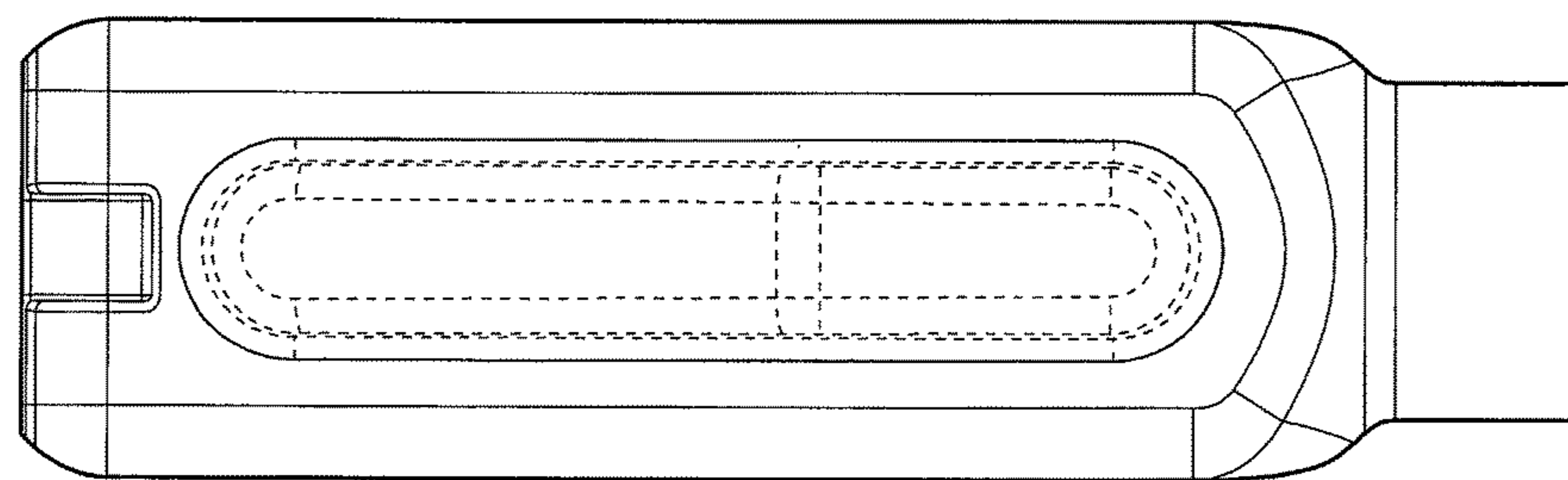
**FIG. 3**



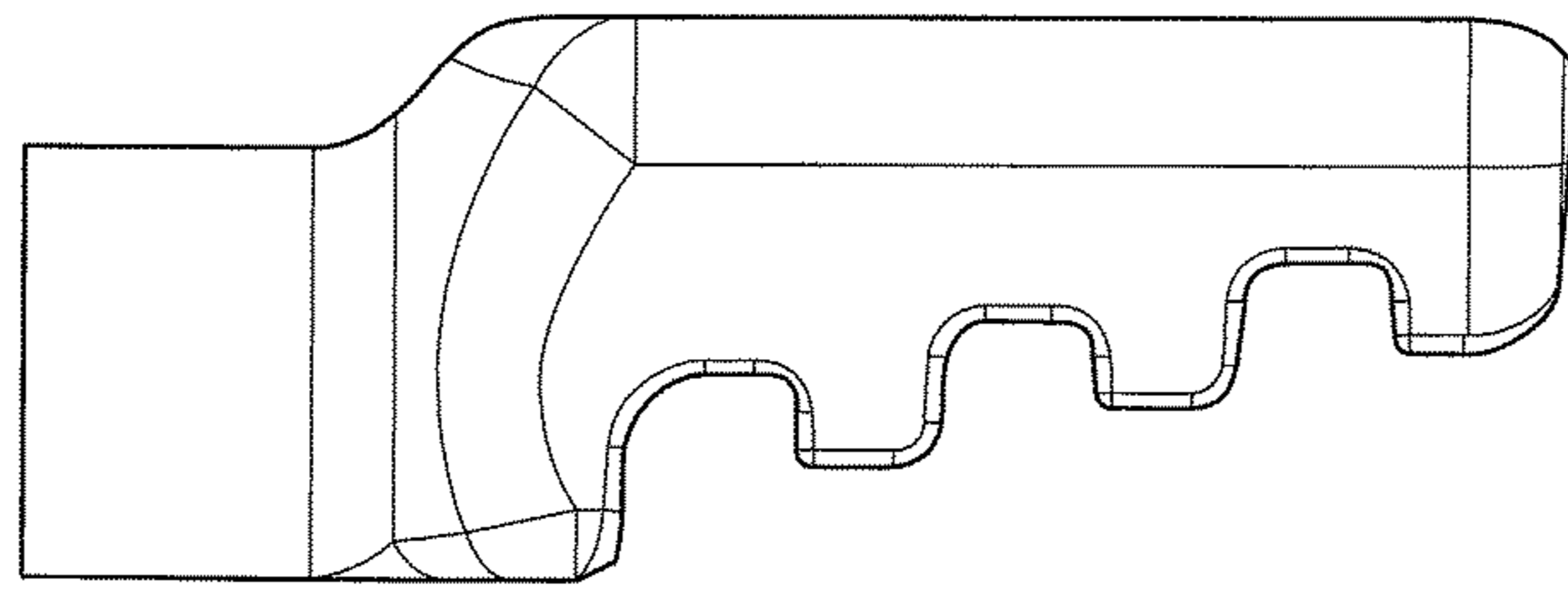
**FIG. 4**



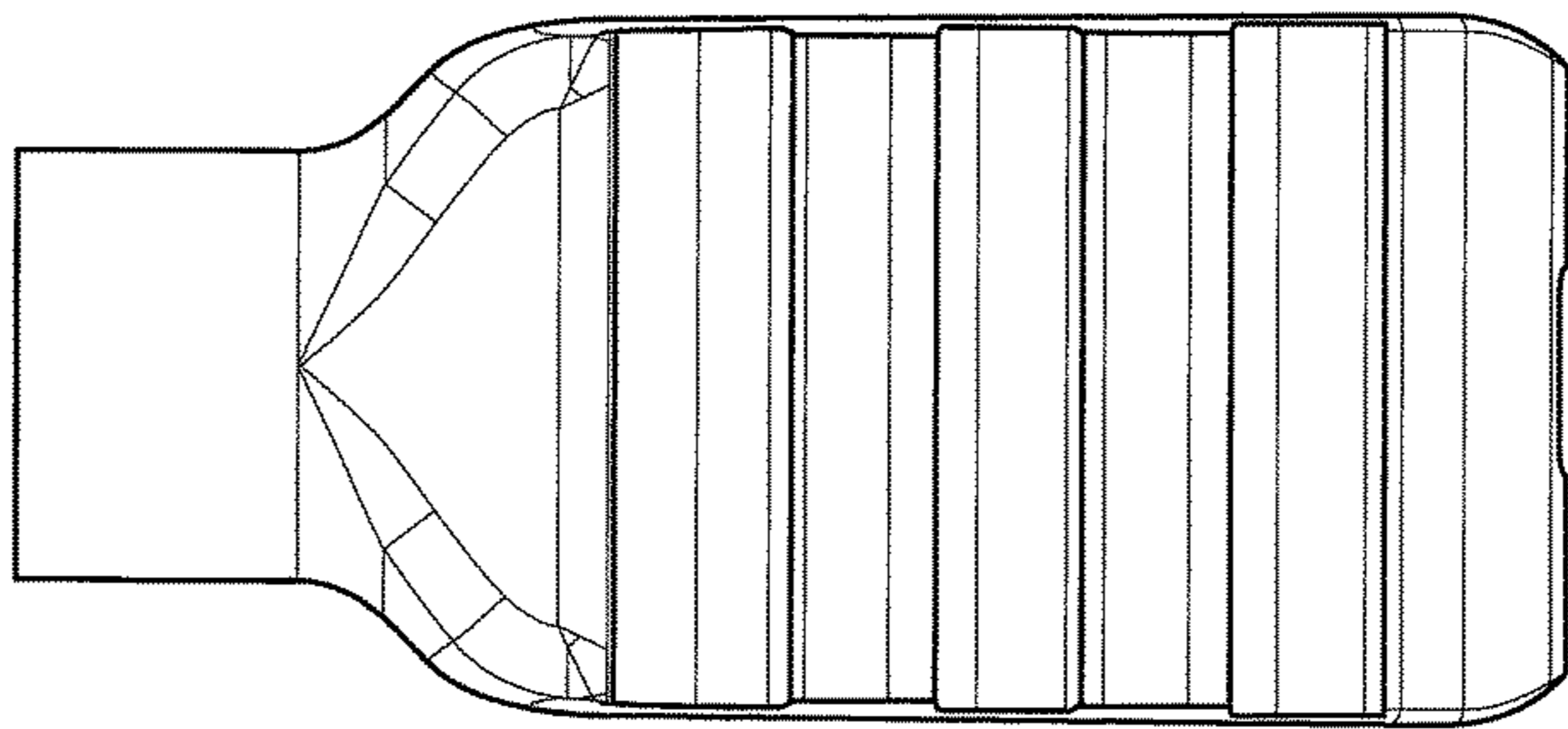
**FIG. 5**



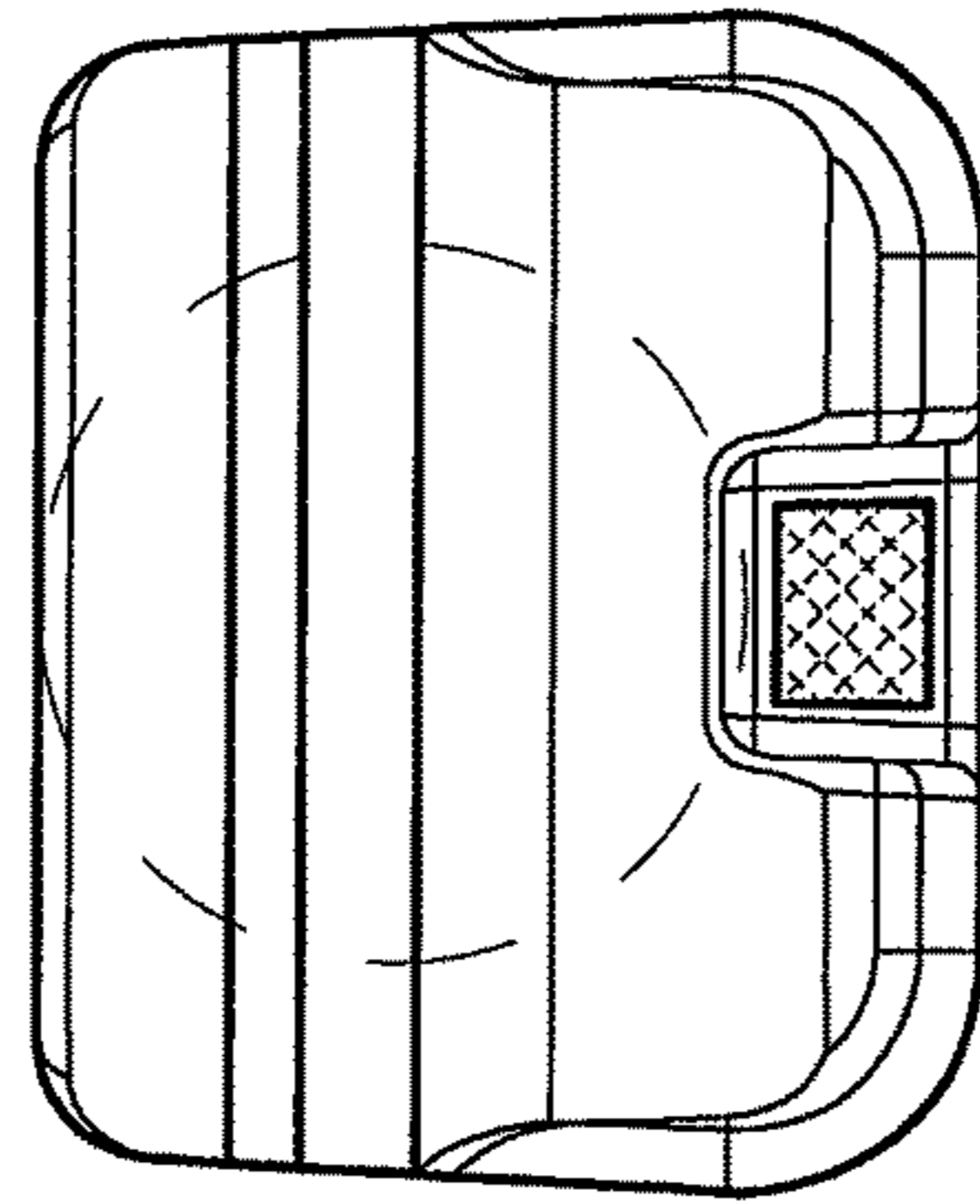
**FIG. 6**



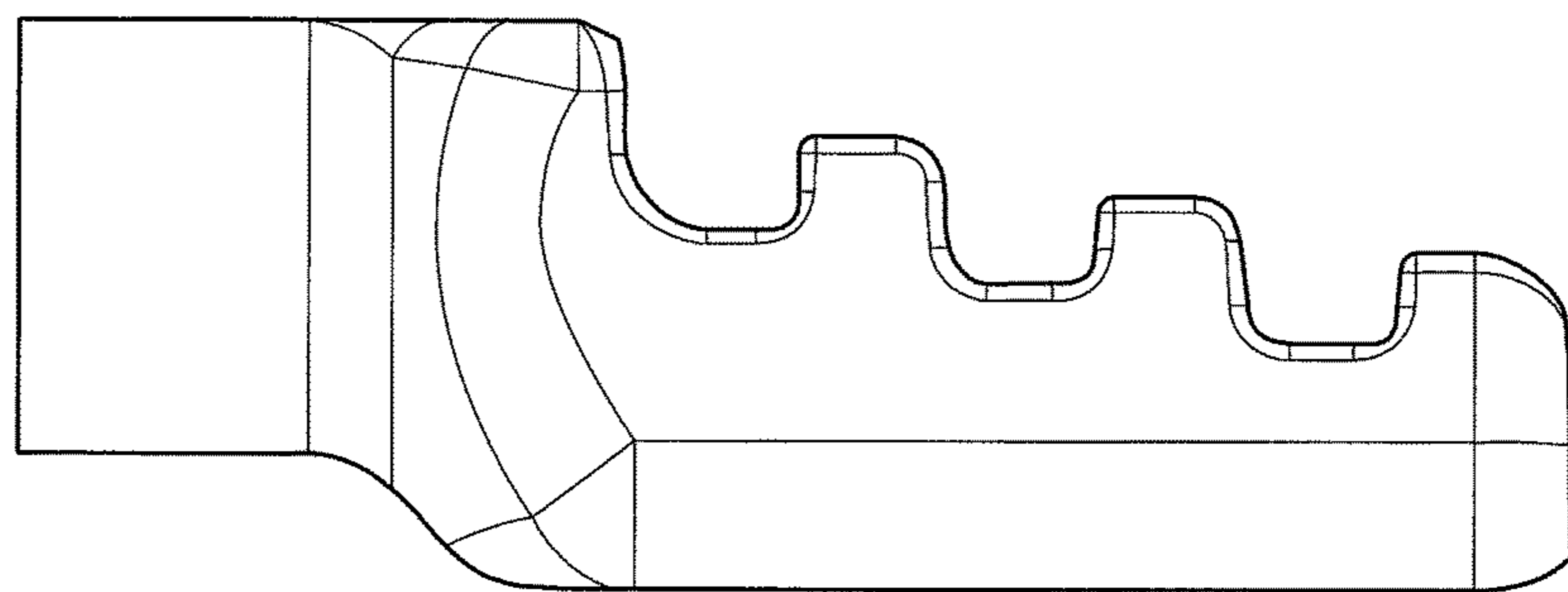
**FIG. 7**



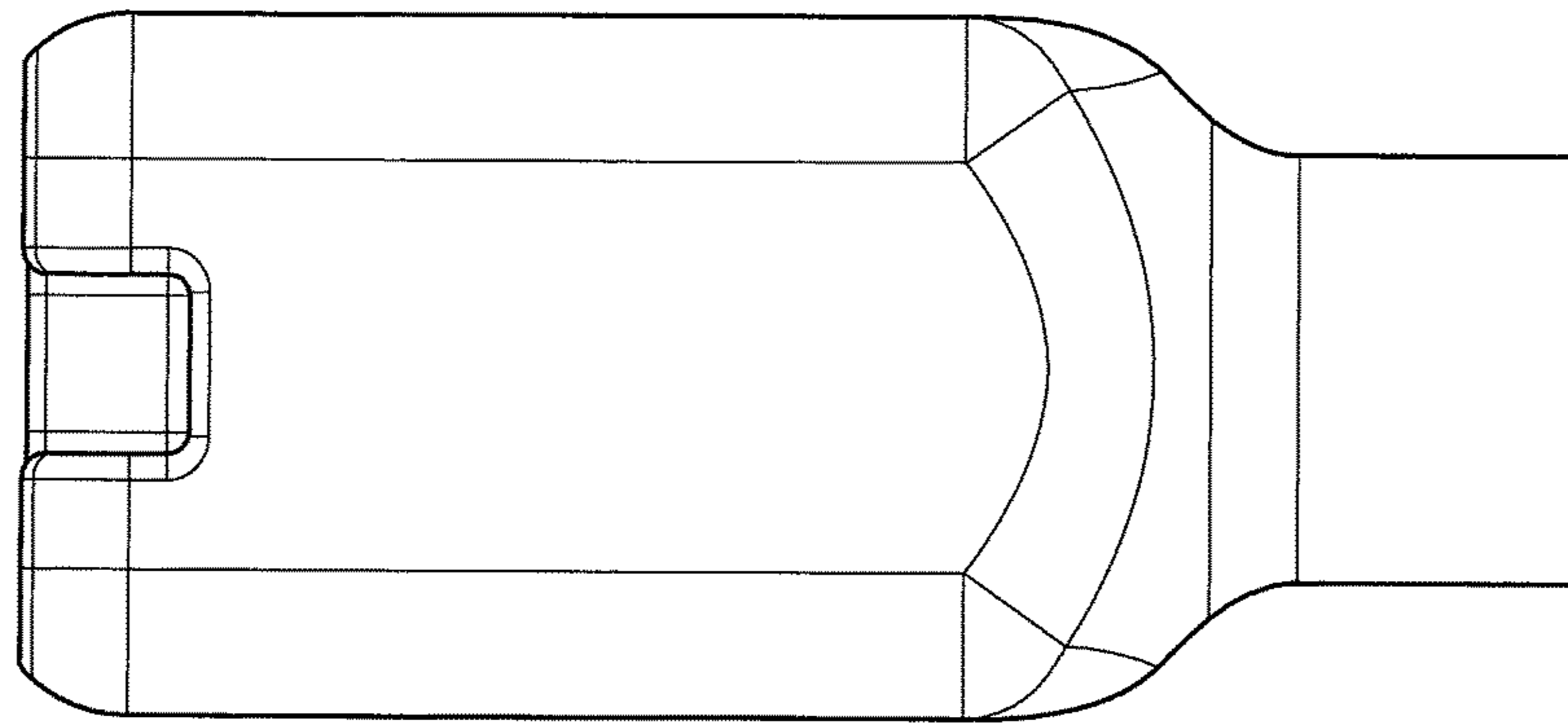
**FIG. 8**



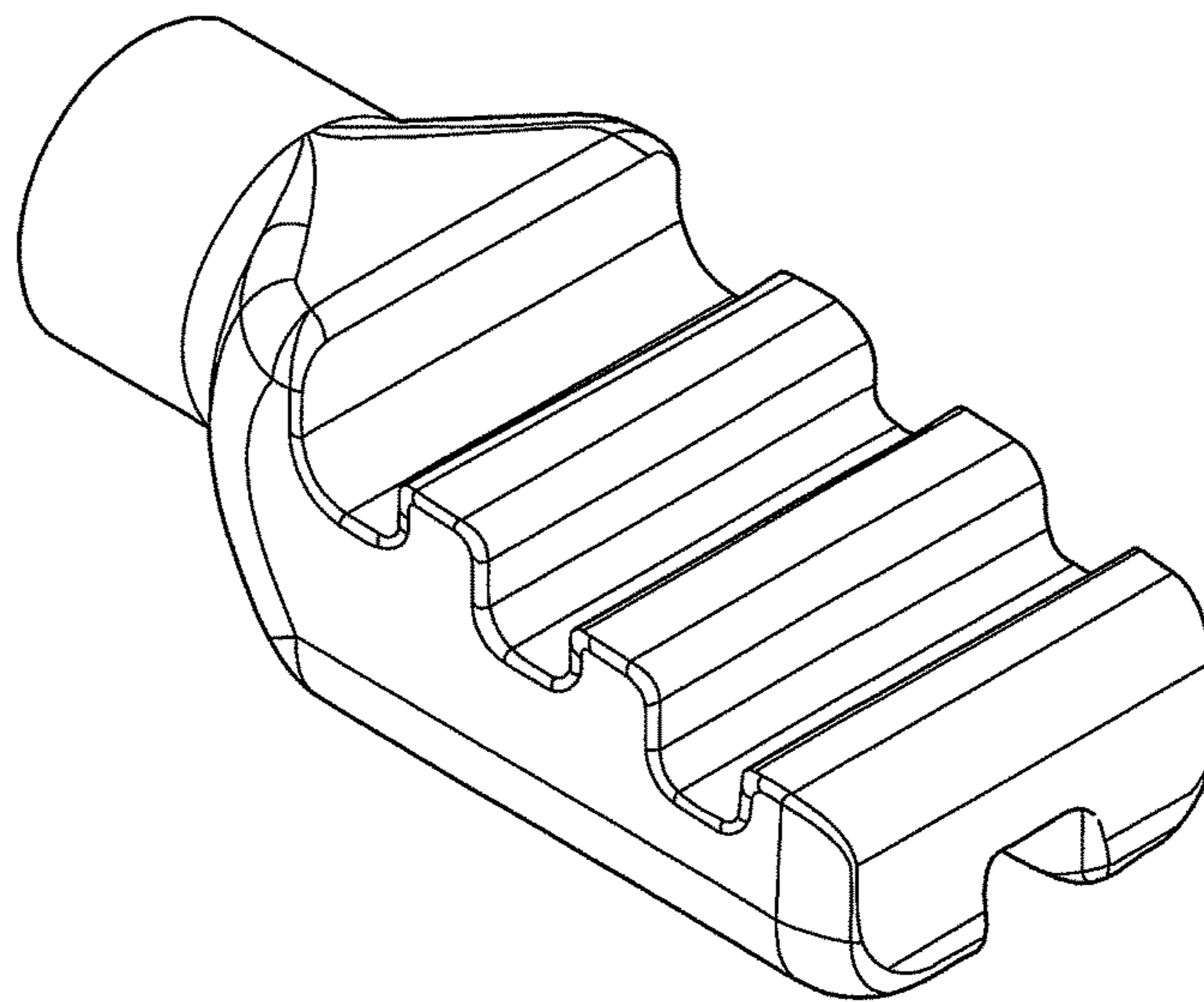
**FIG. 9**



**FIG. 10**



**FIG. 11**



**FIG. 12**