



US00D790958S

(12) **United States Design Patent** (10) **Patent No.:** **US D790,958 S**
Chou (45) **Date of Patent:** **** Jul. 4, 2017**

(54) **WINDING WHEEL**
(71) Applicant: **Tser Wen Chou**, Yorba Linda, CA (US)
(72) Inventor: **Tser Wen Chou**, Yorba Linda, CA (US)
(**) Term: **15 Years**
(21) Appl. No.: **29/553,216**
(22) Filed: **Jan. 29, 2016**

Related U.S. Application Data

(63) Continuation-in-part of application No. 14/097,226, filed on Dec. 4, 2013.
(51) **LOC (10) Cl.** **08-05**
(52) **U.S. Cl.**
USPC **D8/358**
(58) **Field of Classification Search**
USPC D8/354, 356, 358, 360, 361.1, 363, 373, D8/375, 383, 394; D13/118
CPC H02G 11/02; A47H 5/0325; E06B 9/32; E06B 9/322; E06B 9/361; E06B 2009/3227; E06B 9/323
See application file for complete search history.

(56) **References Cited**

U.S. PATENT DOCUMENTS

D290,929 S * 7/1987 Hill 174/138 D
D698,624 S * 2/2014 Chou D8/354
2012/0091246 A1 * 4/2012 Chou E06B 9/322
242/364
2015/0152681 A1 * 6/2015 Chou E06B 9/322
242/389

* cited by examiner

Primary Examiner — Caron D Veynar

Assistant Examiner — Maria Edwards
(74) *Attorney, Agent, or Firm* — Guice Patents PLLC

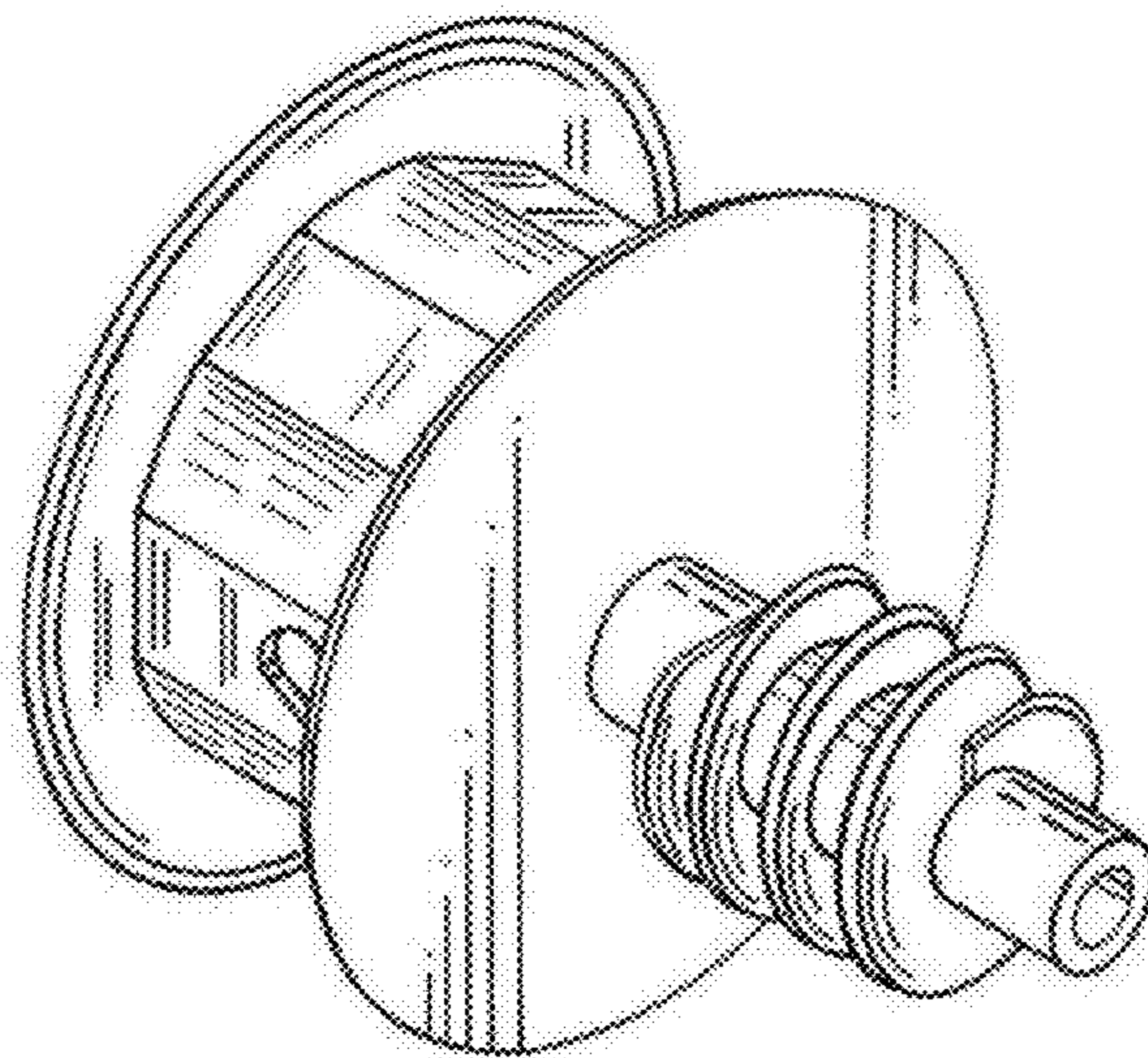
(57) **CLAIM**

The ornamental design for a winding wheel, as shown and described.

DESCRIPTION

FIG. 1 is a front perspective view of a winding wheel; FIG. 2 is a front view thereof; FIG. 3 is a rear view thereof; FIG. 4 is a left side view thereof; FIG. 5 is a right side view thereof; FIG. 6 is a top view thereof; FIG. 7 is a bottom view thereof; FIG. 8 is a rear perspective view thereof; and, FIG. 9 is a perspective view of the design of FIG. 1 showing that the winding wheel is mounted on a curtain controller. The broken lines in the drawing represent environmental structure that forms no part of the claimed design. The design discloses a pull cord winding wheel of a curtain. The winding wheel includes a dodecagonal barrel composed of six plane faces and six raised arched faces. One of the plane faces is formed with an oblique hole. High walls are disposed on two sides of the barrel. One of the high walls is formed with symmetrical dodecagonal sockets. Several reinforcement ribs are disposed in the sockets. A threaded rod additionally extends from a wall face.

1 Claim, 6 Drawing Sheets



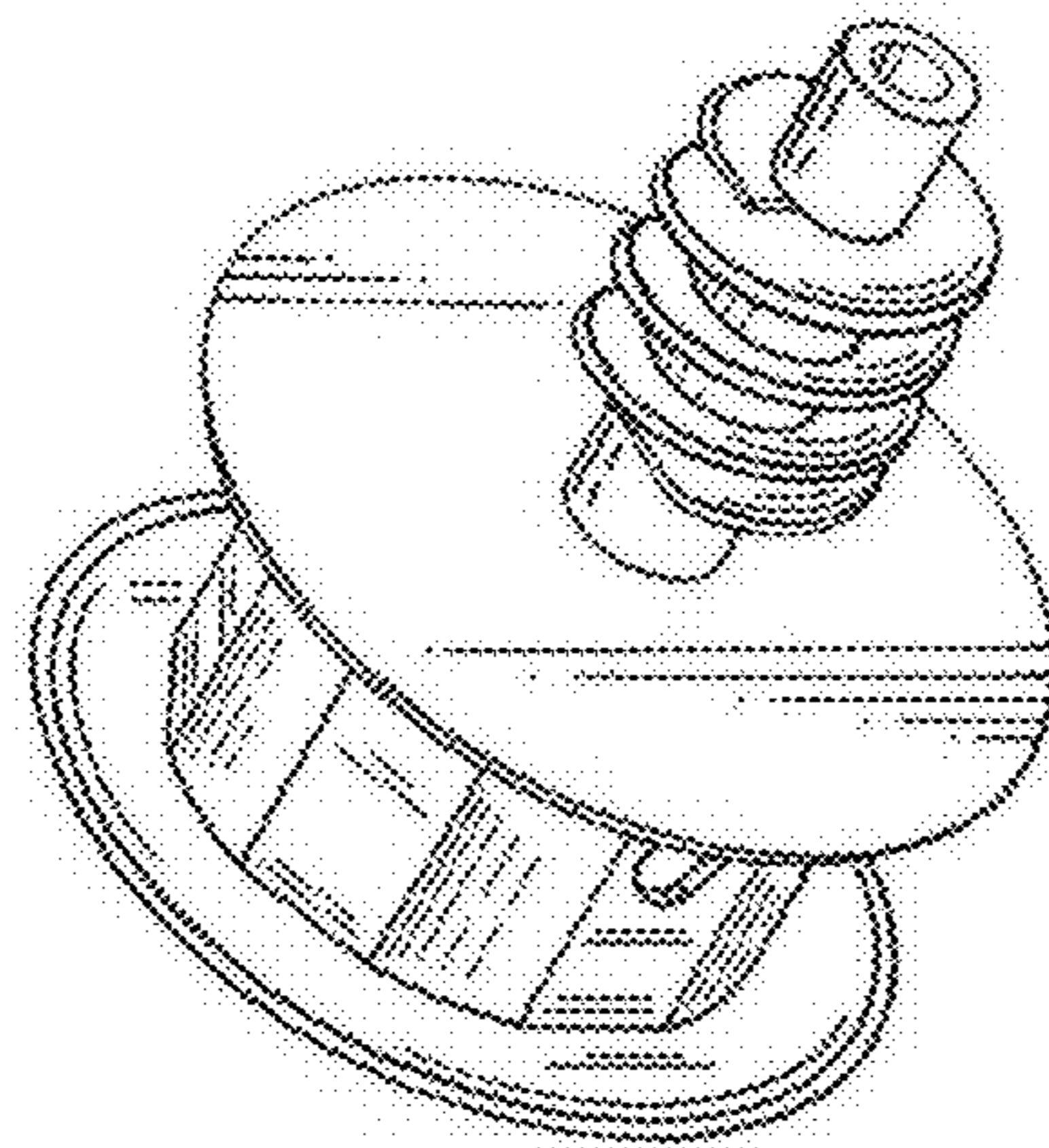


FIG. 1

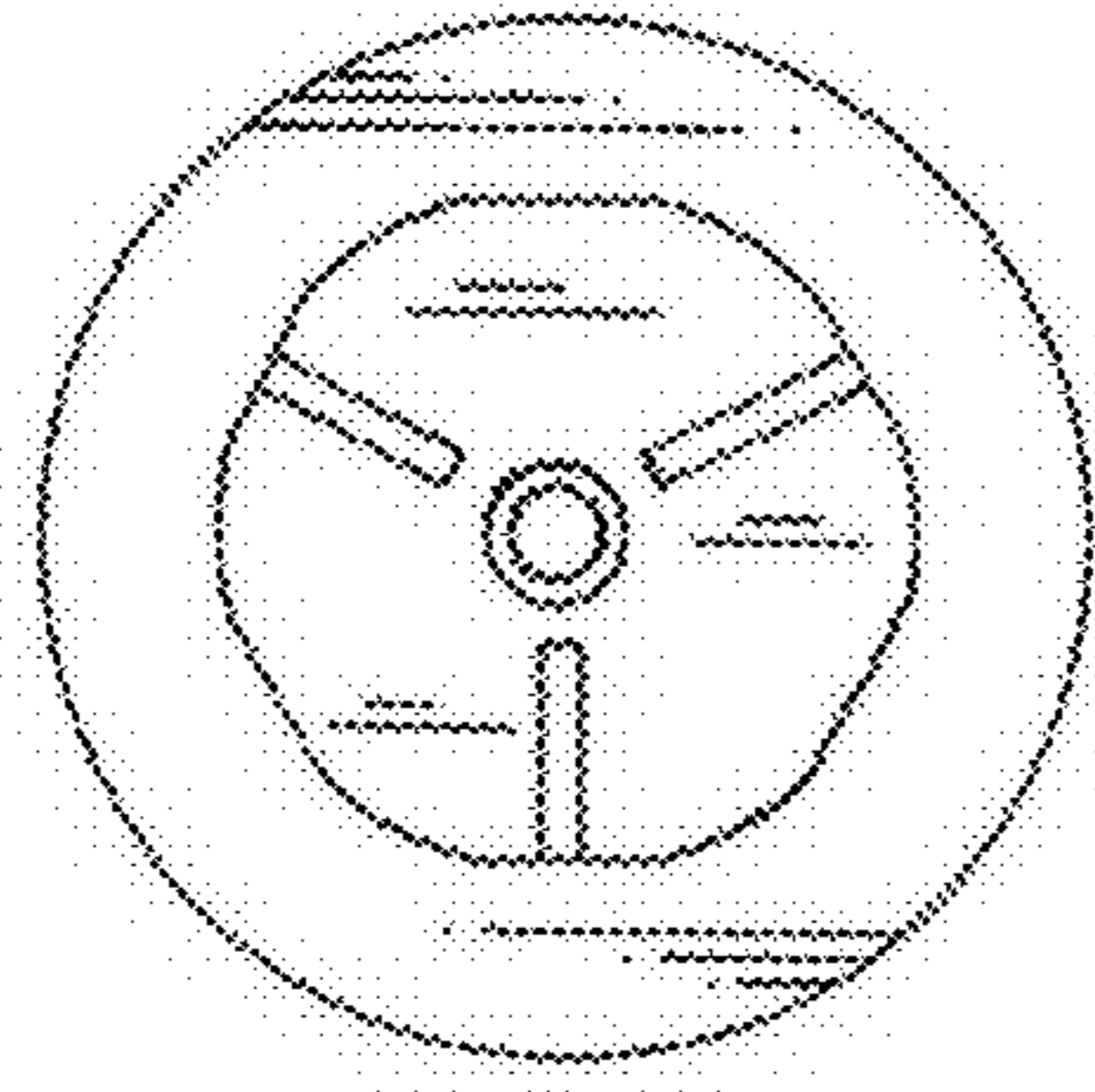


FIG. 3

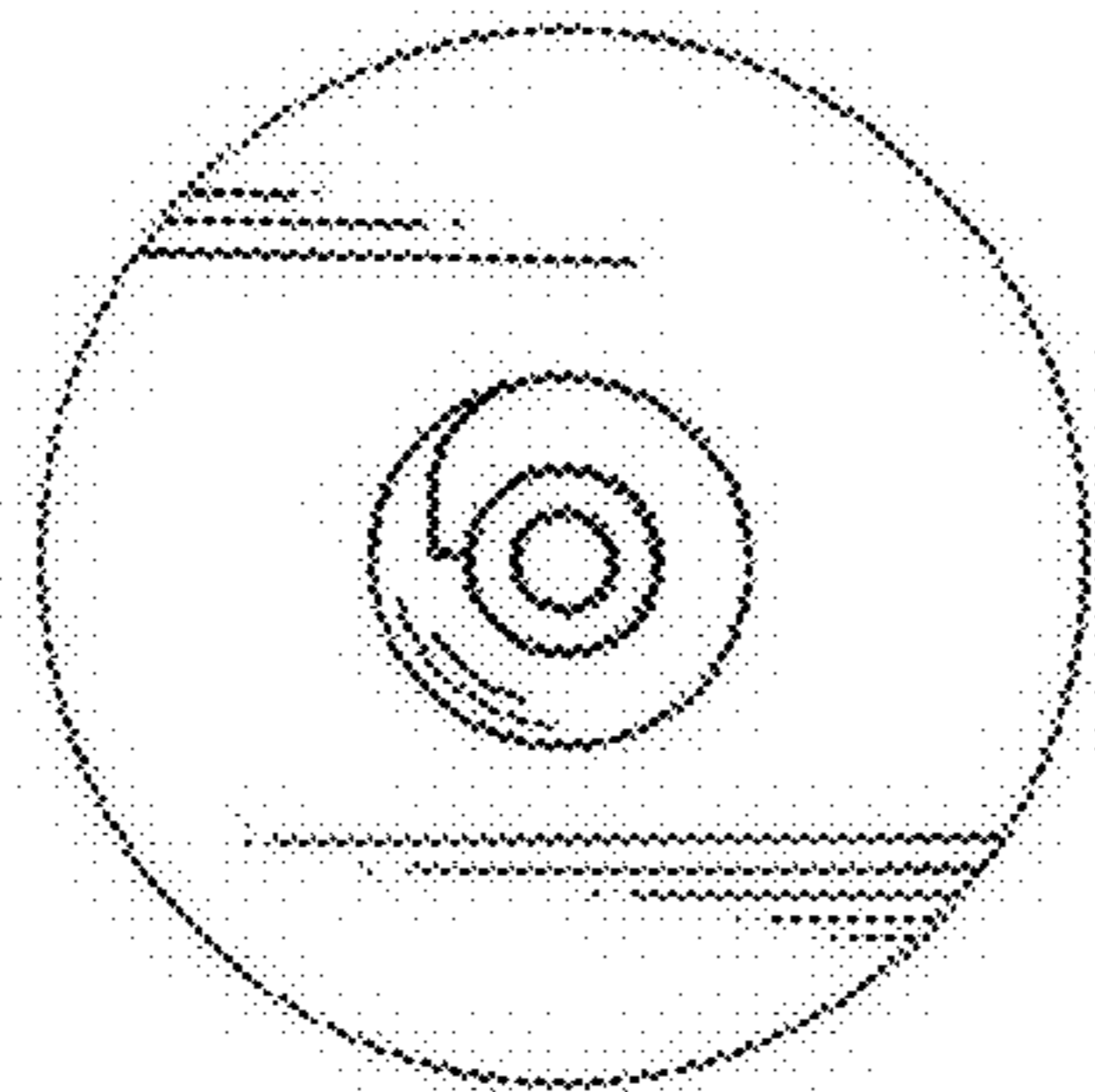


FIG. 2

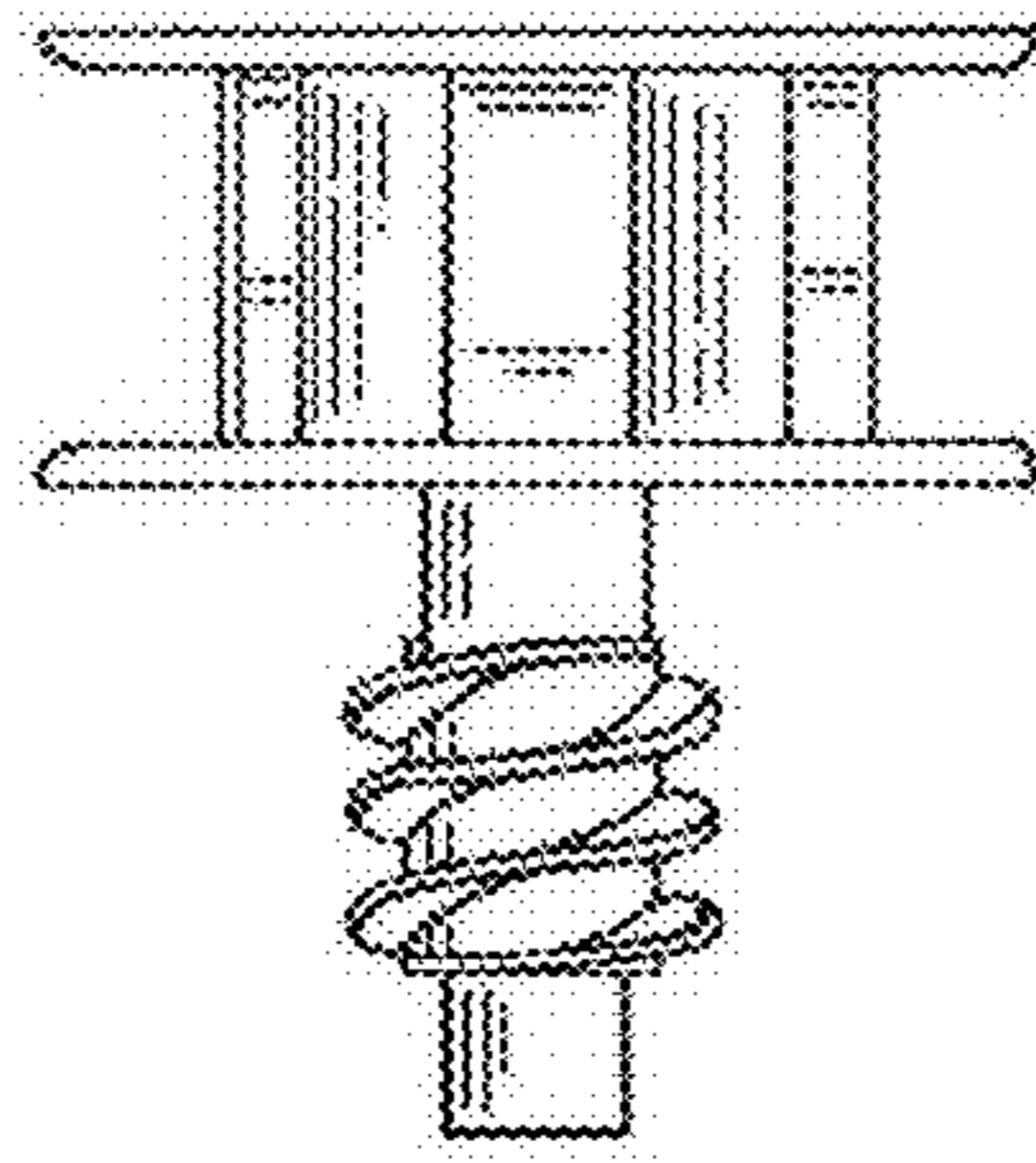


FIG. 5

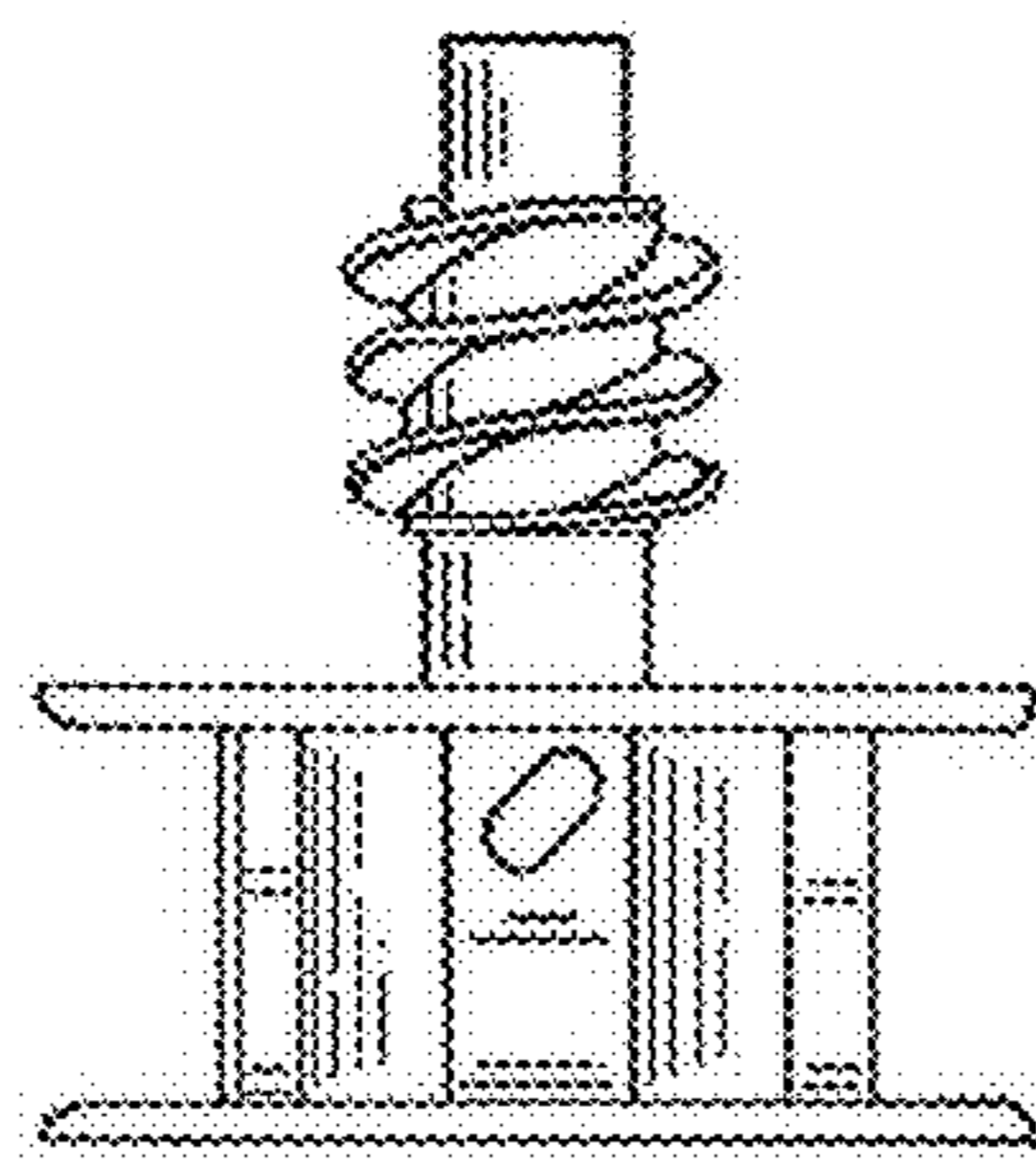


FIG. 4

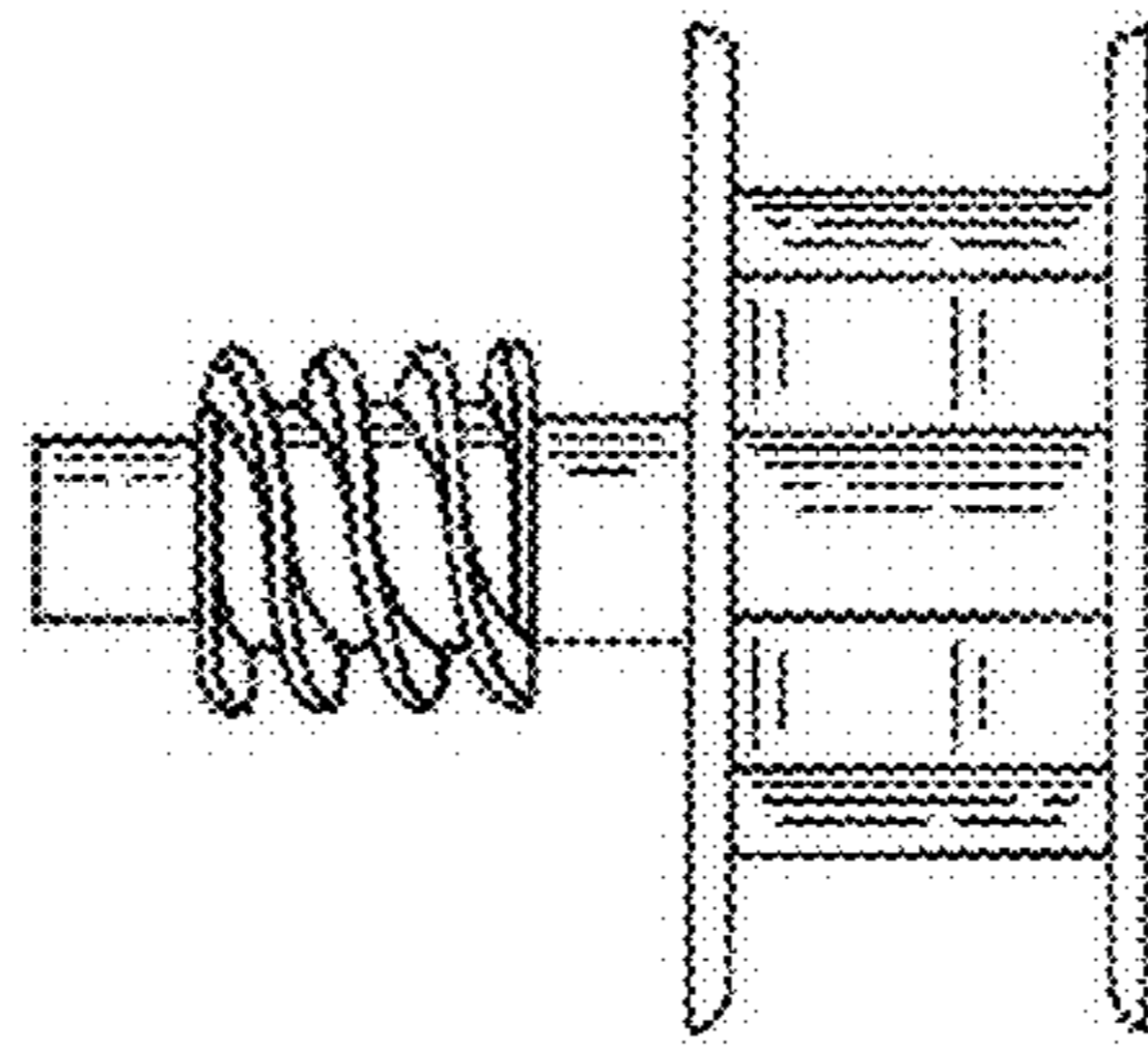


FIG. 7

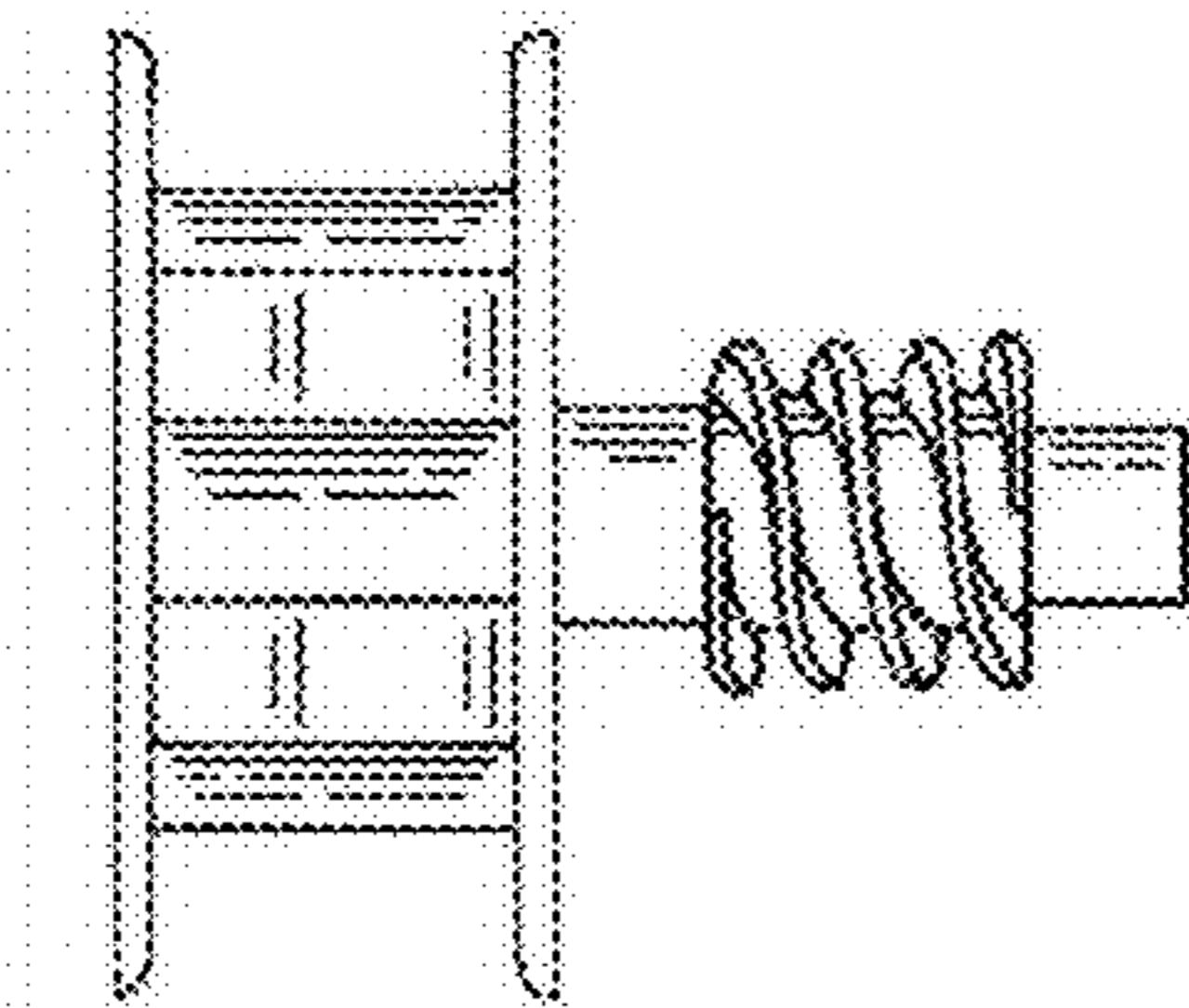


FIG. 6

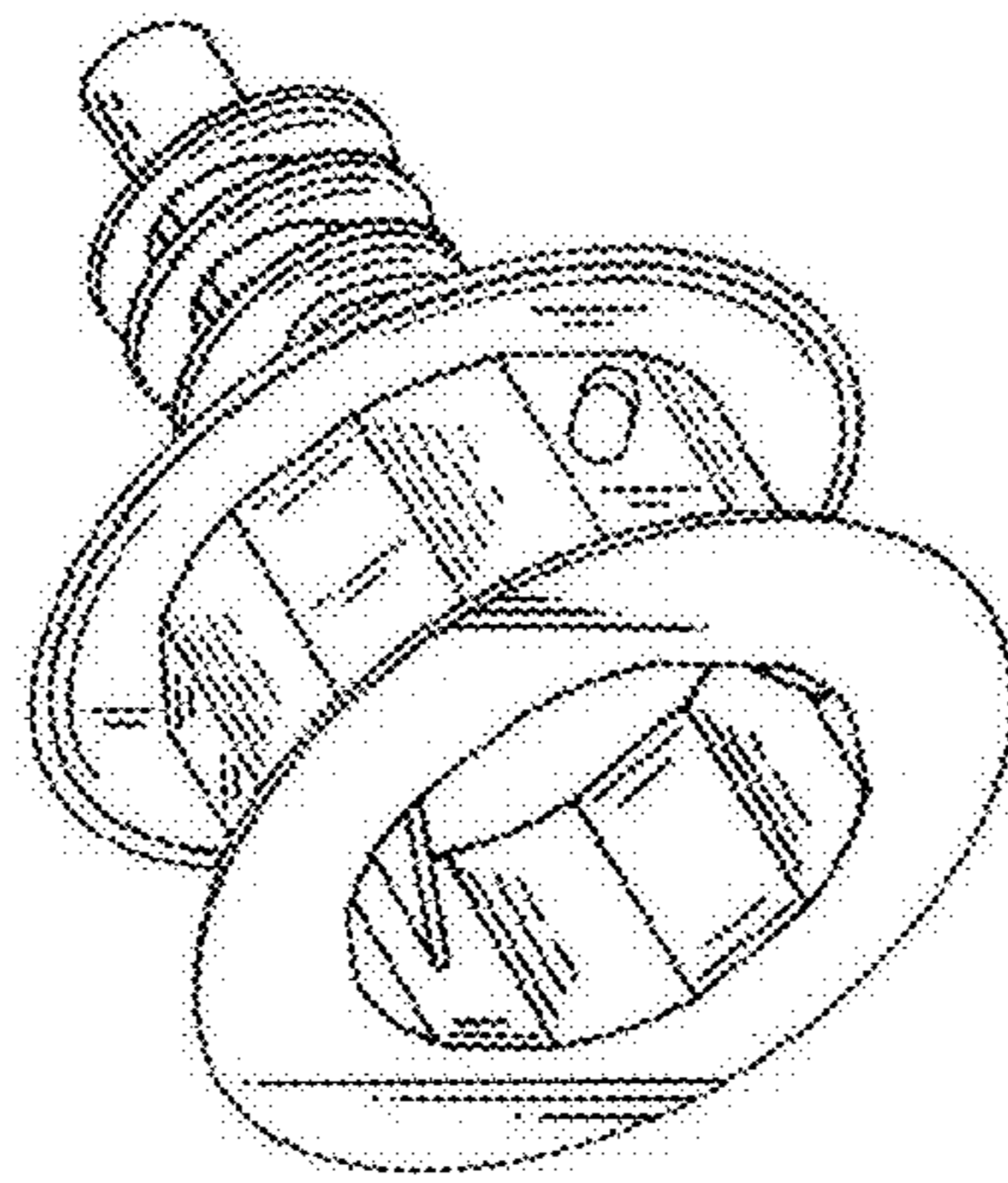


FIG. 8

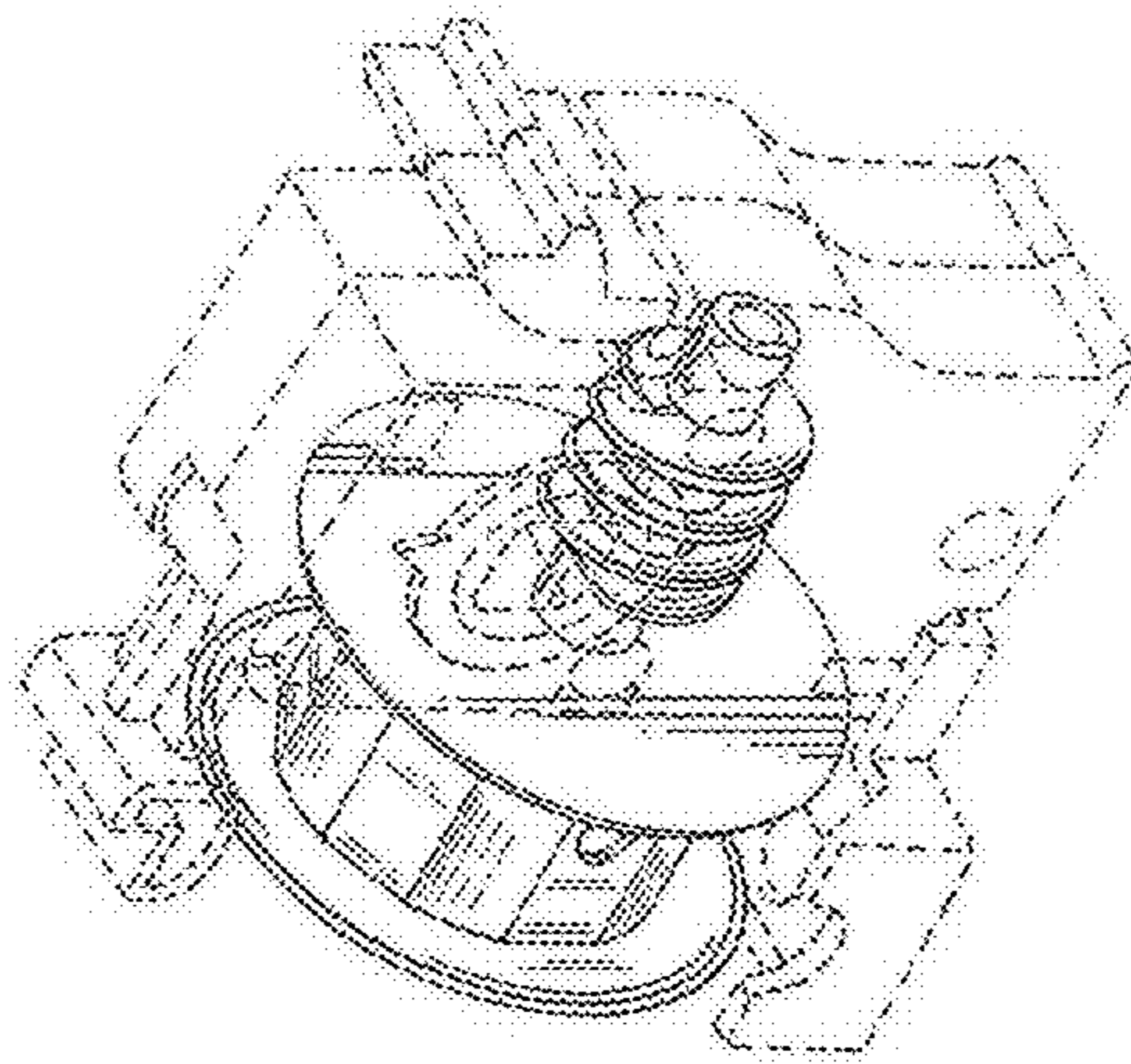


FIG. 9