



US00D790957S

(12) **United States Design Patent**
Verelli et al.

(10) **Patent No.:** **US D790,957 S**
(45) **Date of Patent:** **** Jul. 4, 2017**

- (54) **STRAP CORNER**
- (71) Applicants: **Carlo Verelli**, Lasalle (CA); **Angelo Verelli**, Lasalle (CA)
- (72) Inventors: **Carlo Verelli**, Lasalle (CA); **Angelo Verelli**, Lasalle (CA)
- (**) Term: **15 Years**
- (21) Appl. No.: **29/561,229**
- (22) Filed: **Apr. 14, 2016**
- (51) **LOC (10) Cl.** **08-05**
- (52) **U.S. Cl.**
USPC **D8/356**
- (58) **Field of Classification Search**
USPC D24/128, 127, 108, 107; 604/180;
D8/356, 354, 349; D13/155
CPC .. A61M 29/00; A61M 25/02; A61M 25/0133;
A61M 2025/024; A61M 2025/0266;
A61M 5/00; A61M 2039/087; F16G 1/00;
F16G 11/00; H02G 3/00; H02G 3/03;
H02G 3/04; H02G 3/0437; H02G 3/0608
See application file for complete search history.

- 6,609,684 B2 * 8/2003 Van Scoy F16G 13/16
248/49
- 6,874,969 B2 * 4/2005 Jadaud H02G 3/0608
174/480
- 7,234,889 B2 * 6/2007 Gautier H02G 3/0608
174/481
- 7,332,675 B2 * 2/2008 Galasso H02G 3/0608
138/162
- 8,006,948 B2 * 8/2011 Wents H02G 3/0608
174/480
- D644,503 S * 9/2011 Crane D8/354
(Continued)

Primary Examiner — Cynthia Underwood
(74) *Attorney, Agent, or Firm* — Gonzalo Lavin

(57) **CLAIM**

The ornamental design for a strap corner, as shown and described.

DESCRIPTION

FIG. 1 is a top perspective view of a strap corner showing our new design;
 FIG. 2 is a front elevational view thereof;
 FIG. 3 is a rear elevational view thereof;
 FIG. 4 is a top plan view thereof;
 FIG. 5 is a bottom plan view thereof;
 FIG. 6 is a left side elevational view thereof;
 FIG. 7 is a right side elevational view thereof; and,
 FIG. 8 is a top perspective view thereof, showing the design illustrated with environmental structures, with the design mounted on a corner of a load equipment and partially covered by a securing strap.

The ornamental design which is claimed is shown in solid lines in the drawings. The stippled lines in FIGS. 1 through 7 are included for the purpose of illustrating features of unclaimed portions of the strap corner and form no part of the design.

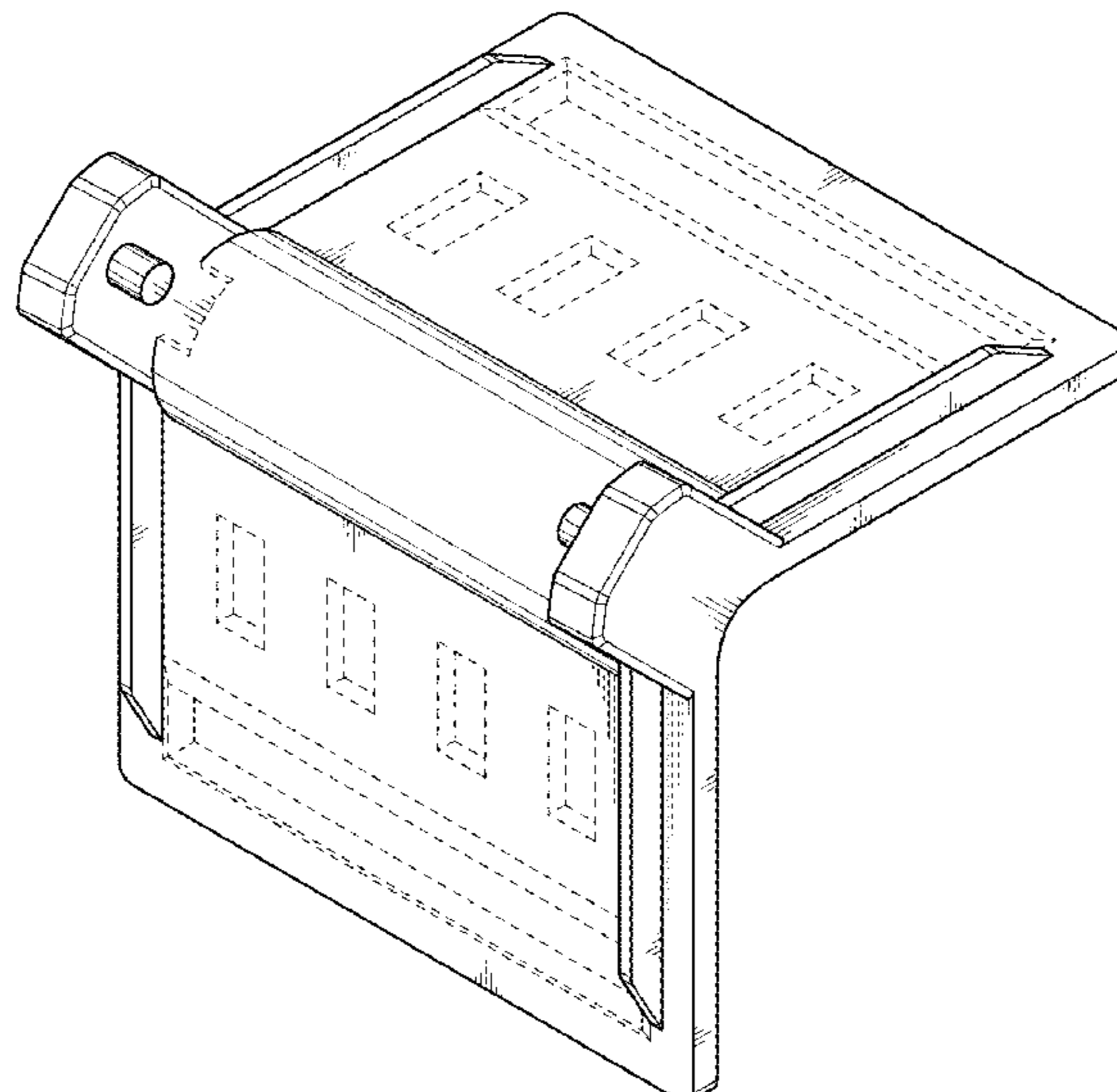
The broken lines represent portions of the invention and environment of use and form no part of the claim.

(56) **References Cited**

U.S. PATENT DOCUMENTS

- 2,687,864 A * 8/1954 Kohler F16L 3/10
24/265 WS
- 3,034,185 A * 5/1962 Olsen E04B 1/2612
248/56
- 3,304,108 A * 2/1967 Hamilton F16L 41/025
403/295
- 4,982,547 A * 1/1991 Stolle E06B 3/9682
403/295
- D432,394 S * 10/2000 Hays D8/354
- D434,639 S * 12/2000 Willett D8/354
- 6,254,306 B1 * 7/2001 Williams E04B 1/2403
403/403

1 Claim, 8 Drawing Sheets



(56)

References Cited

U.S. PATENT DOCUMENTS

8,082,701 B1 * 12/2011 Wendel E04C 3/145
52/100
D667,288 S * 9/2012 Preda D8/354
D667,289 S * 9/2012 Preda D8/354
D704,667 S * 5/2014 Sharpe D13/155
9,010,063 B2 * 4/2015 Spruiell E04G 21/185
52/699
D730,545 S * 5/2015 Stauffer D25/133
D732,708 S * 6/2015 Stauffer D25/133
D747,180 S * 1/2016 Burcar D8/367
D758,171 S * 6/2016 Kim D8/356
D760,578 S * 7/2016 Sigona D8/349
D765,491 S * 9/2016 Jaycock E02D 27/02
D8/354
2005/0284988 A1 * 12/2005 Lawver F16L 3/24
248/65
2010/0126103 A1 * 5/2010 diGirolamo E04B 2/58
52/655.1

* cited by examiner

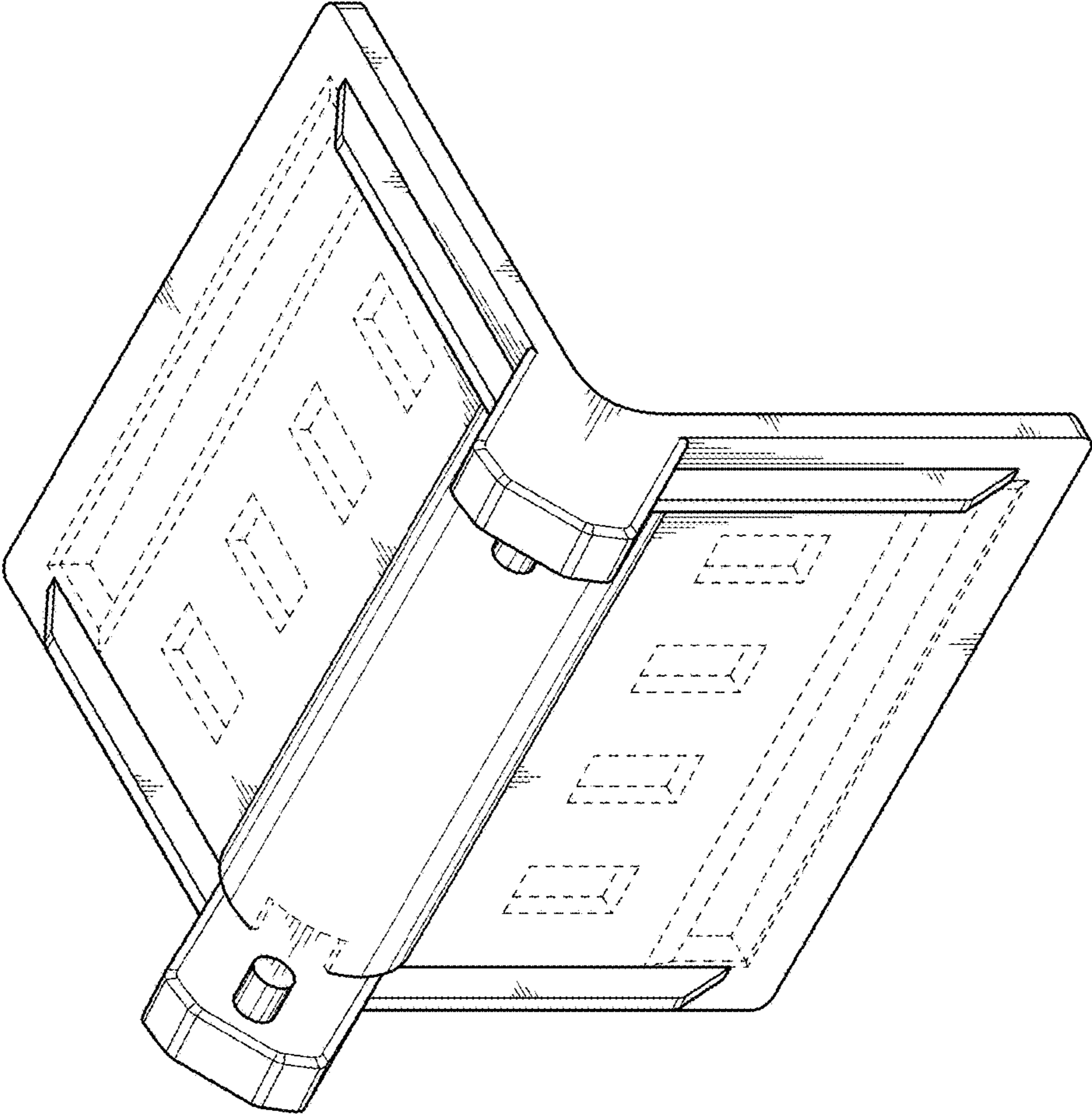


FIG. 1

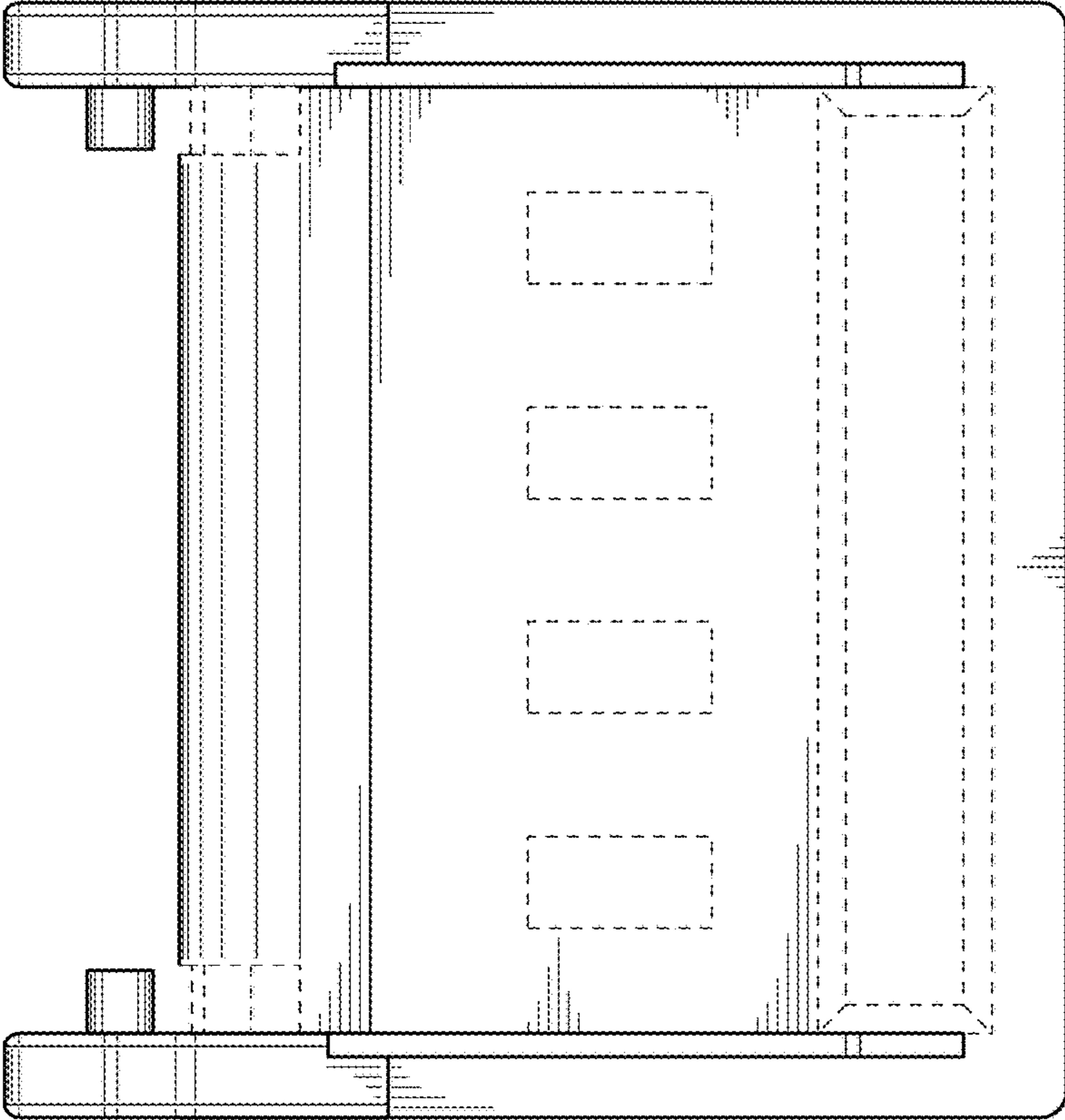


FIG. 2

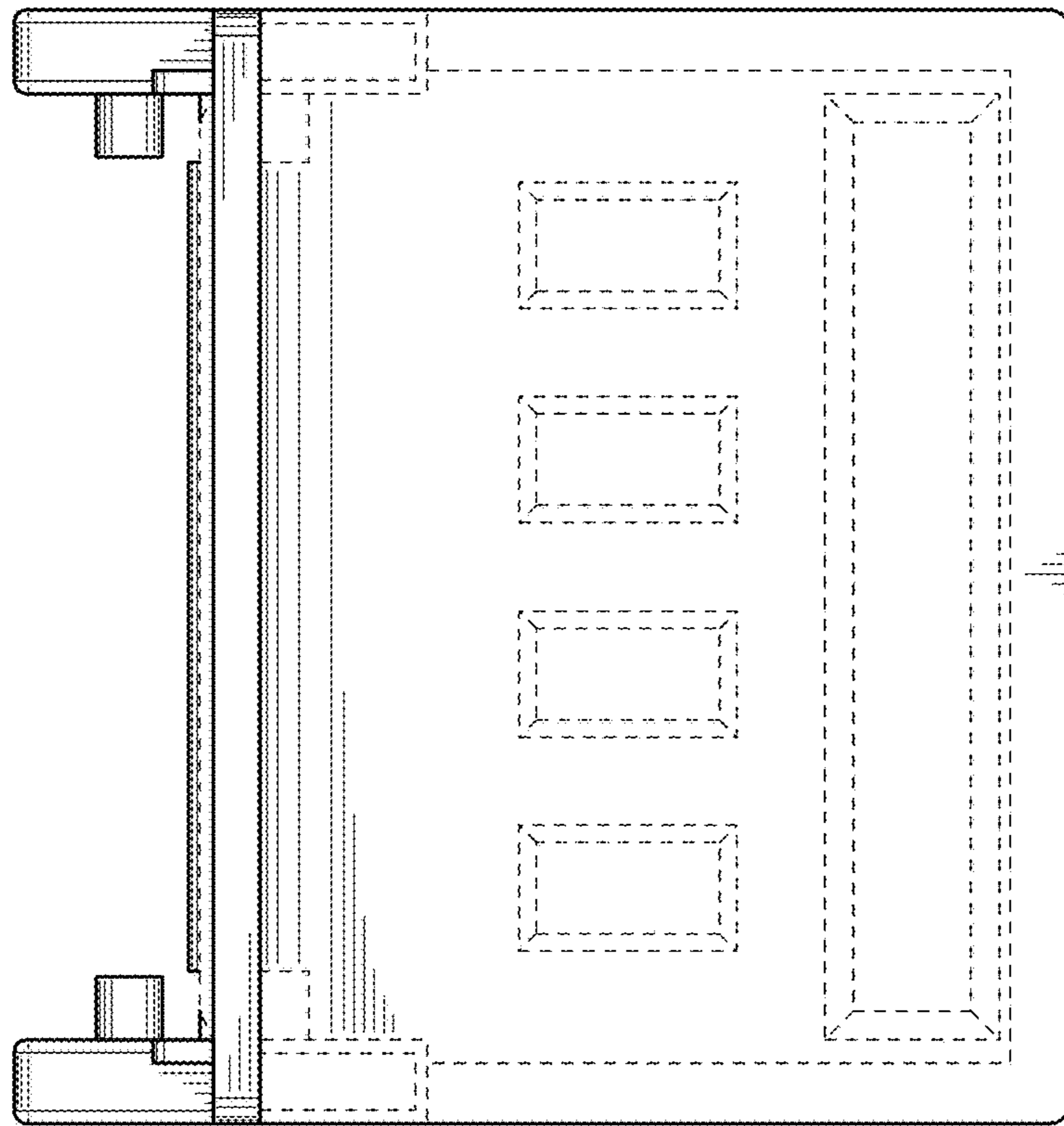


FIG. 3

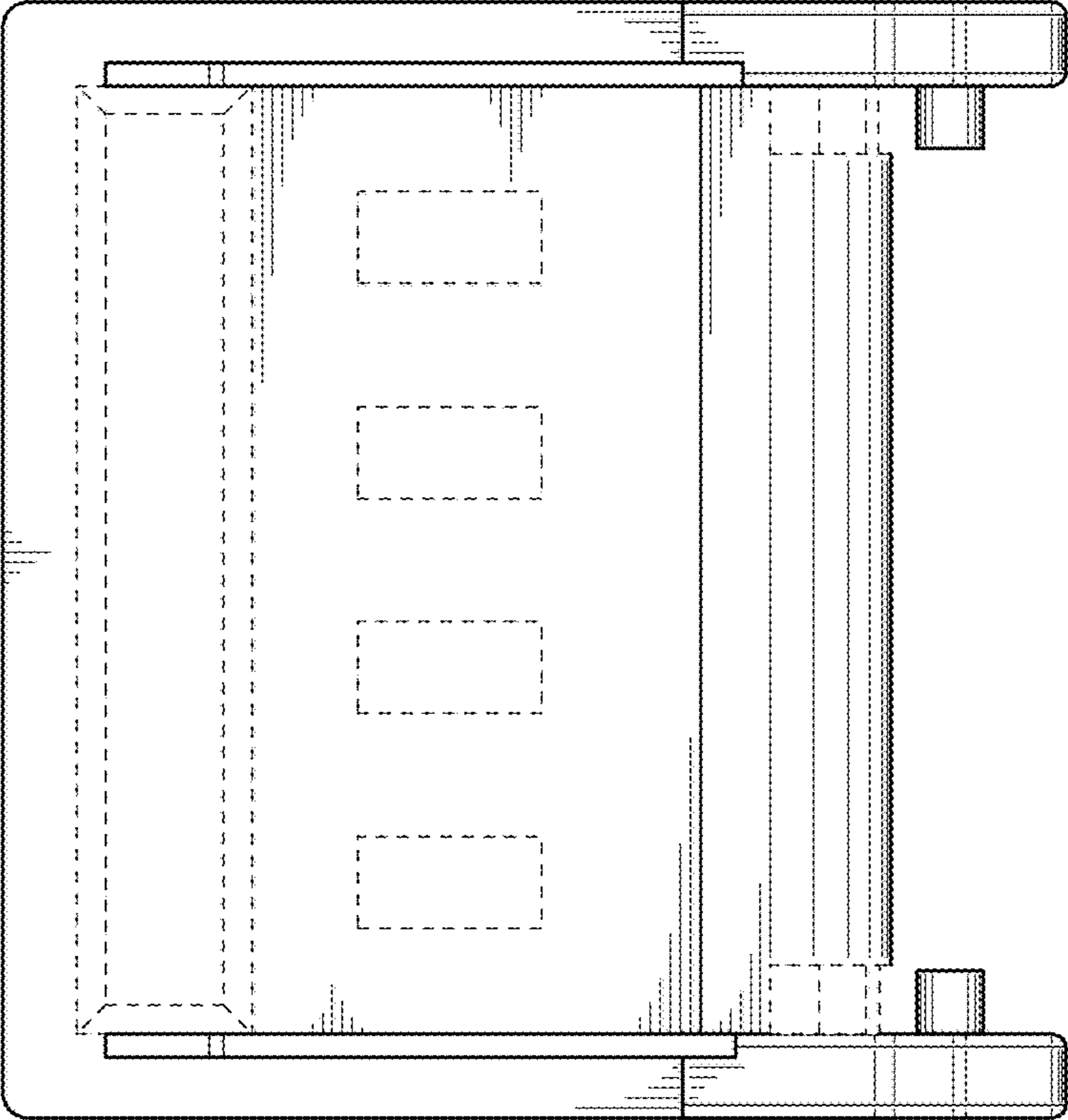


FIG. 4

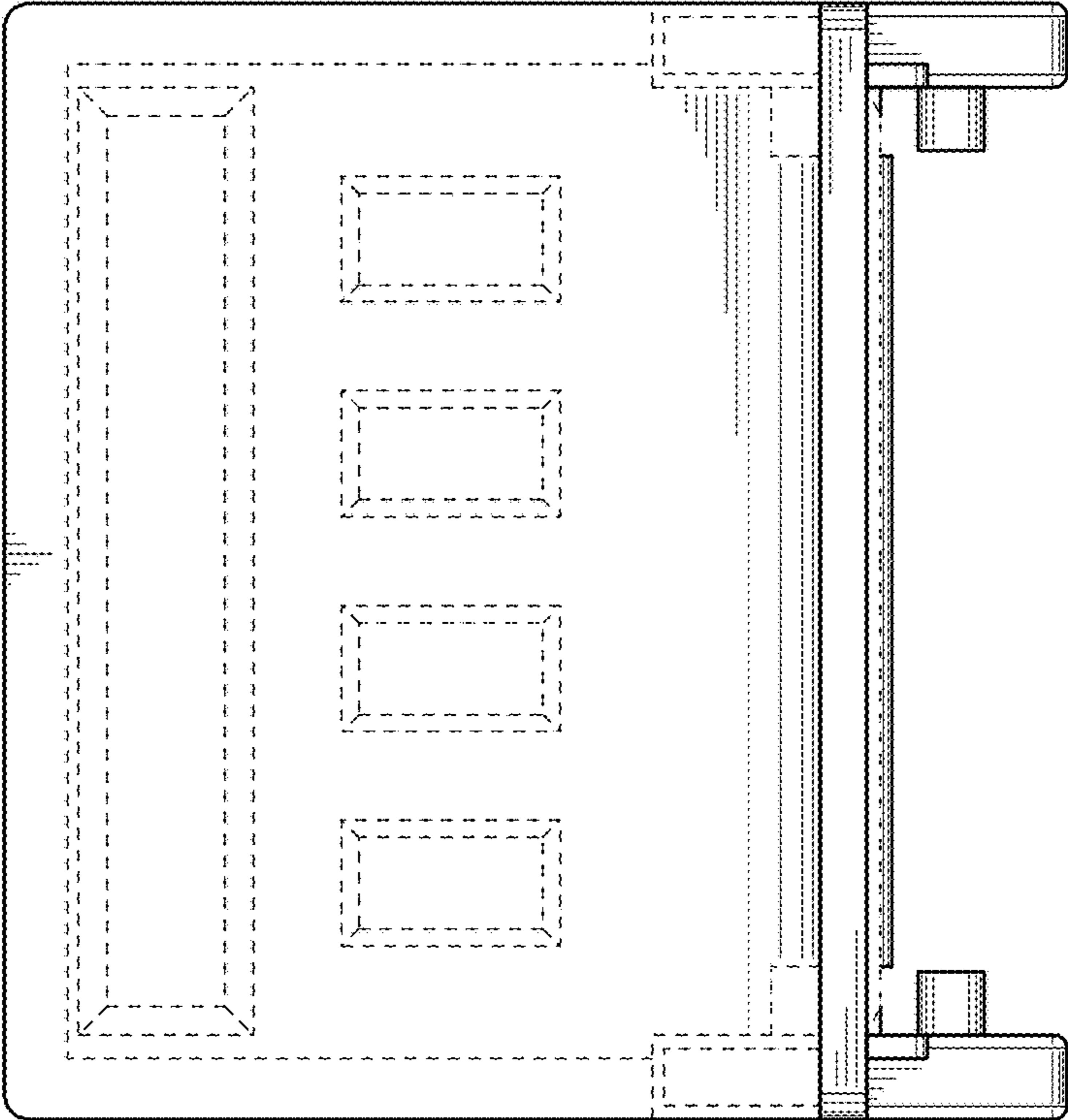


FIG. 5

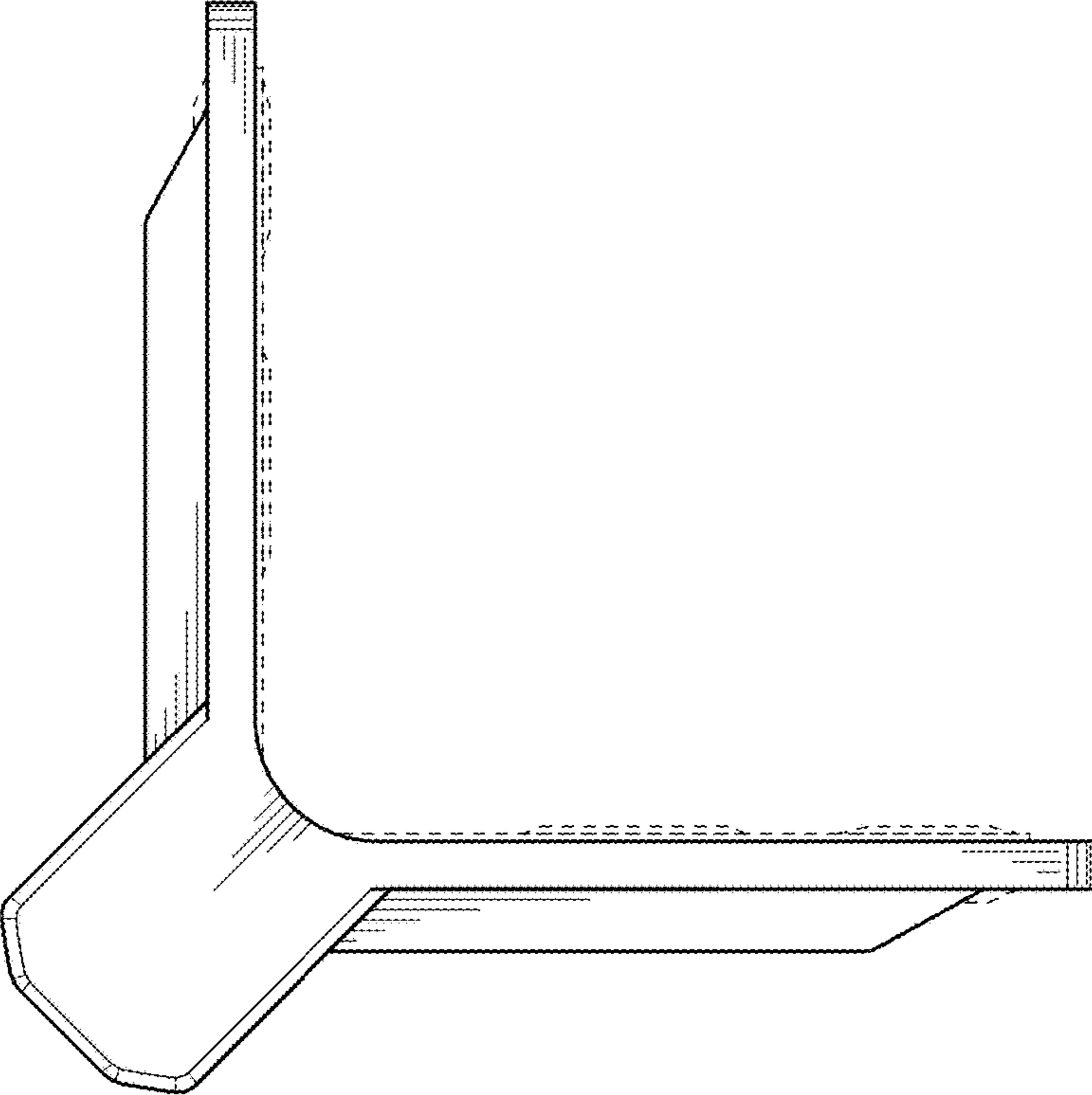


FIG. 6

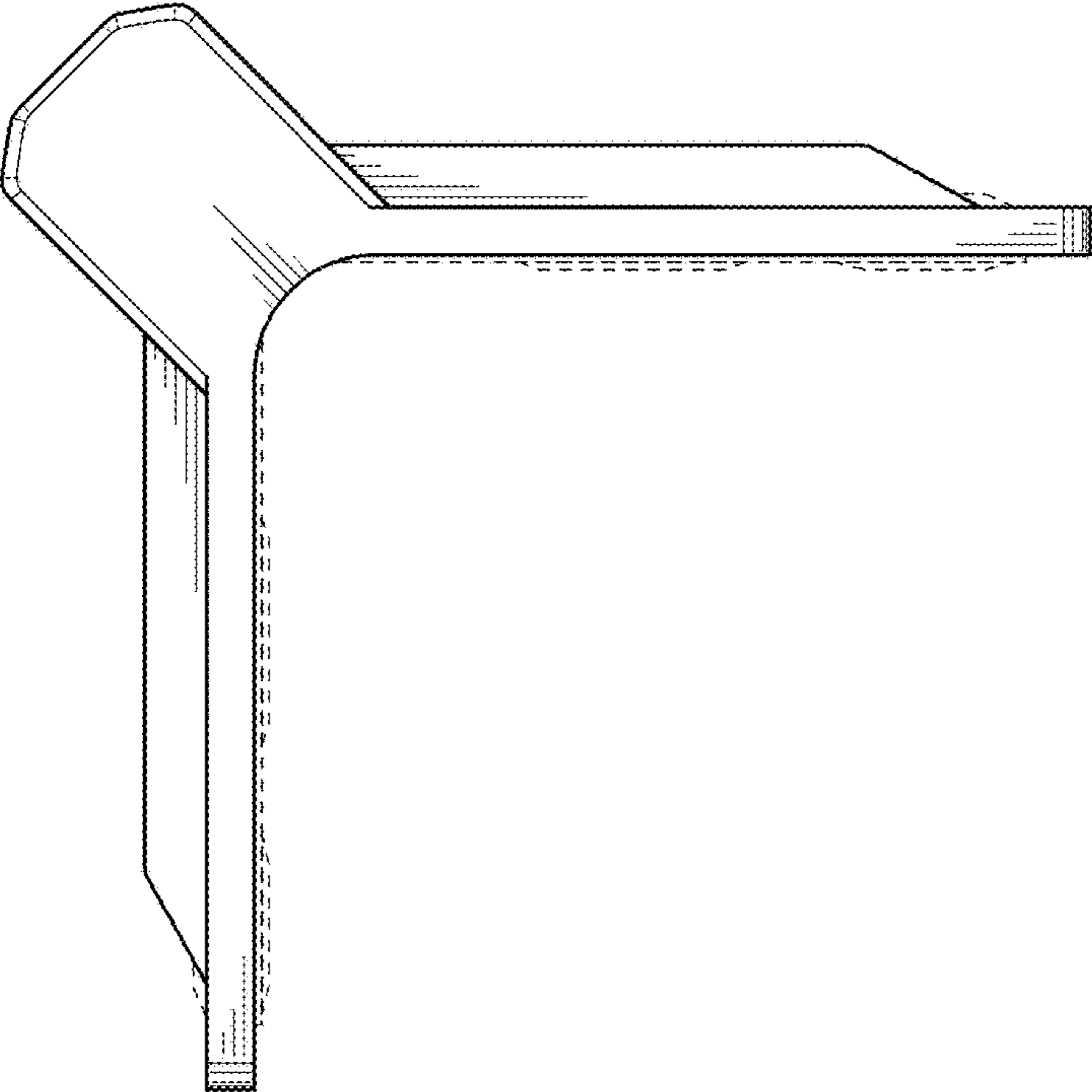


FIG. 7

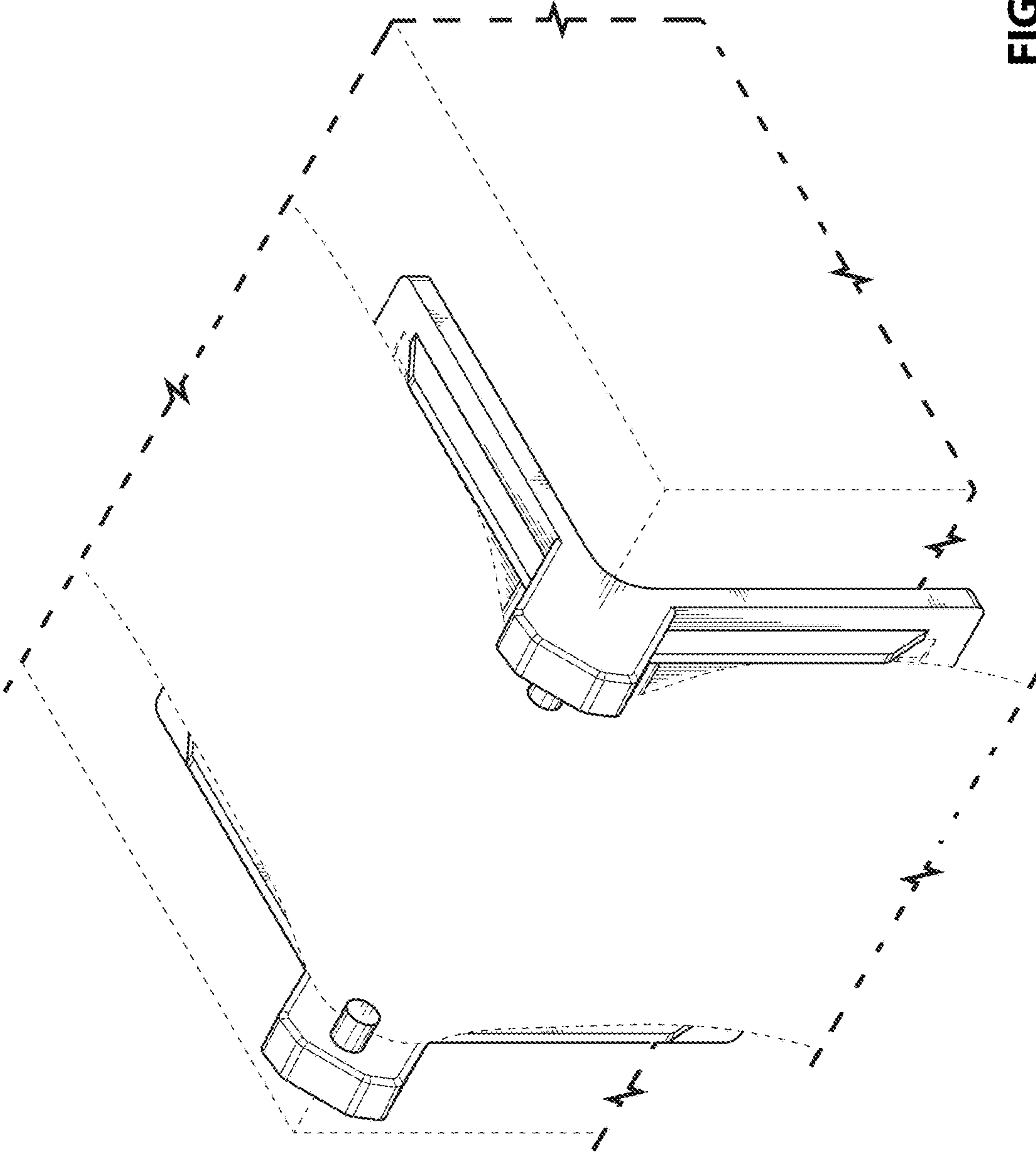


FIG. 8