



US00D790955S

(12) **United States Design Patent**  
**Kolonia et al.**

(10) **Patent No.:** **US D790,955 S**  
(45) **Date of Patent:** **\*\* Jul. 4, 2017**

- (54) **LATCH BAR FOR A LOCKER**
- (71) Applicant: **Scranton Products, Inc.**, Scranton, PA (US)
- (72) Inventors: **Robert K. Kolonia**, Milford, NJ (US);  
**Brian J. Kolonia**, Bath, PA (US);  
**Victor Alunni**, Scranton, PA (US)
- (73) Assignee: **Scranton Products, Inc.**, Scranton, PA (US)
- (\*\*) Term: **15 Years**
- (21) Appl. No.: **29/563,048**
- (22) Filed: **May 2, 2016**
- (51) **LOC (10) Cl.** ..... **08-07**
- (52) **U.S. Cl.**  
USPC ..... **D8/343**
- (58) **Field of Classification Search**  
USPC ..... D8/343, 344, 349, 400, 404, 302;  
70/431, 452, 57, 69, 78, 80; 292/289,  
292/340, 341, 341.14, 341.15, DIG. 2,  
292/DIG. 30; 49/394, 460, 504  
CPC ... E05B 1/00; E05B 3/00; E05B 15/02; E05B  
17/00  
See application file for complete search history.

- 5,865,479 A \* 2/1999 Viney ..... E05B 47/0603  
292/39
- 6,375,244 B1 \* 4/2002 Smeltzer ..... E05C 9/041  
292/32
- D468,992 S \* 1/2003 Votruba ..... D8/343
- 6,685,285 B1 \* 2/2004 Fromme ..... A47B 47/02  
312/216
- D495,583 S \* 9/2004 Senn ..... D8/343
- 6,793,299 B2 \* 9/2004 Newberry ..... A47B 47/042  
312/199
- 6,851,196 B1 2/2005 Fry Leever et al.
- D520,860 S \* 5/2006 Martin ..... D8/343
- 7,828,399 B1 11/2010 Bass
- D777,558 S \* 1/2017 Magee ..... E05B 15/025  
D8/343
- 2008/0179898 A1 7/2008 Juga et al.

\* cited by examiner

*Primary Examiner* — Prabhakar Deshmukh  
(74) *Attorney, Agent, or Firm* — Buchanan Ingersoll & Rooney PC

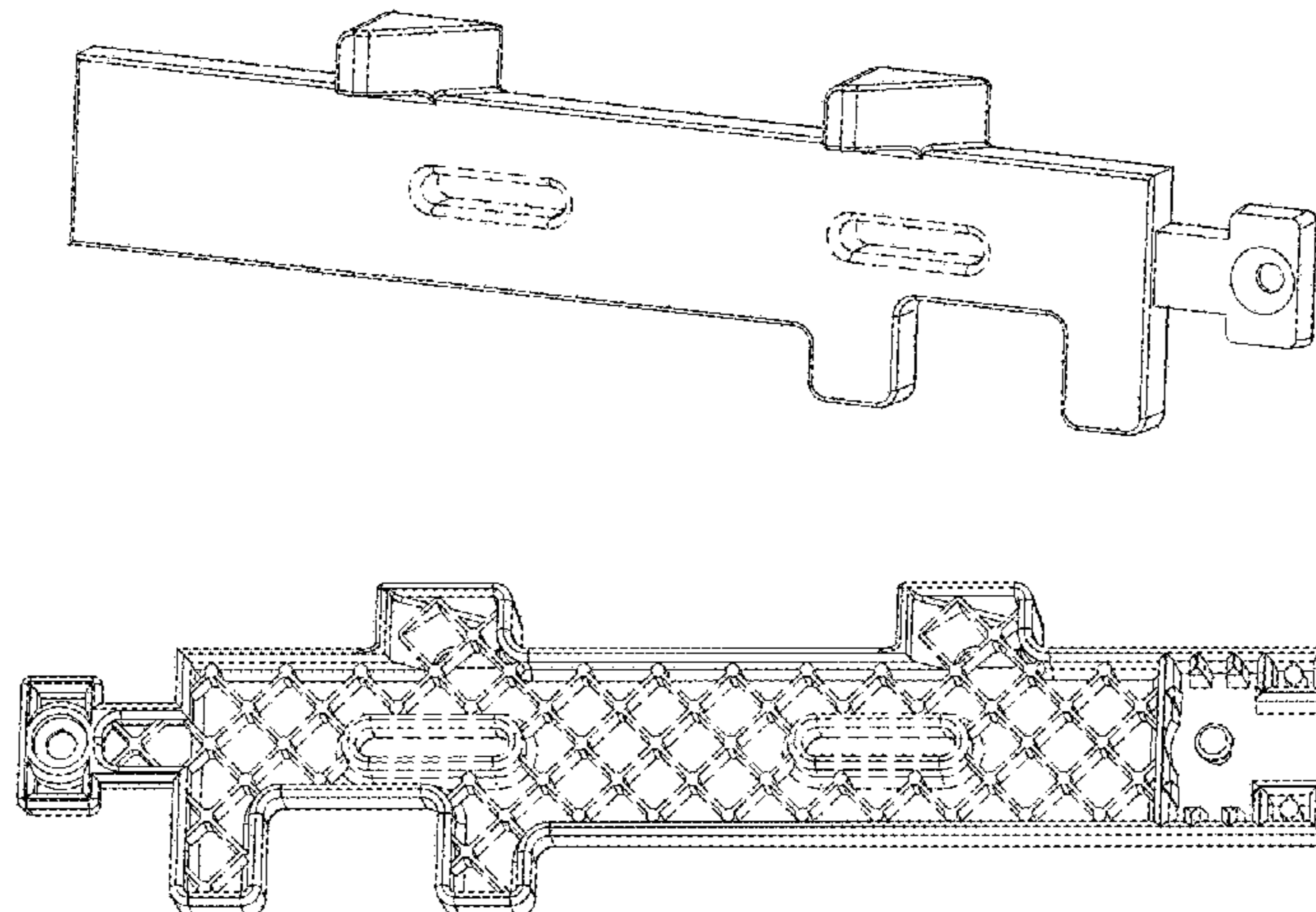
(57) **CLAIM**

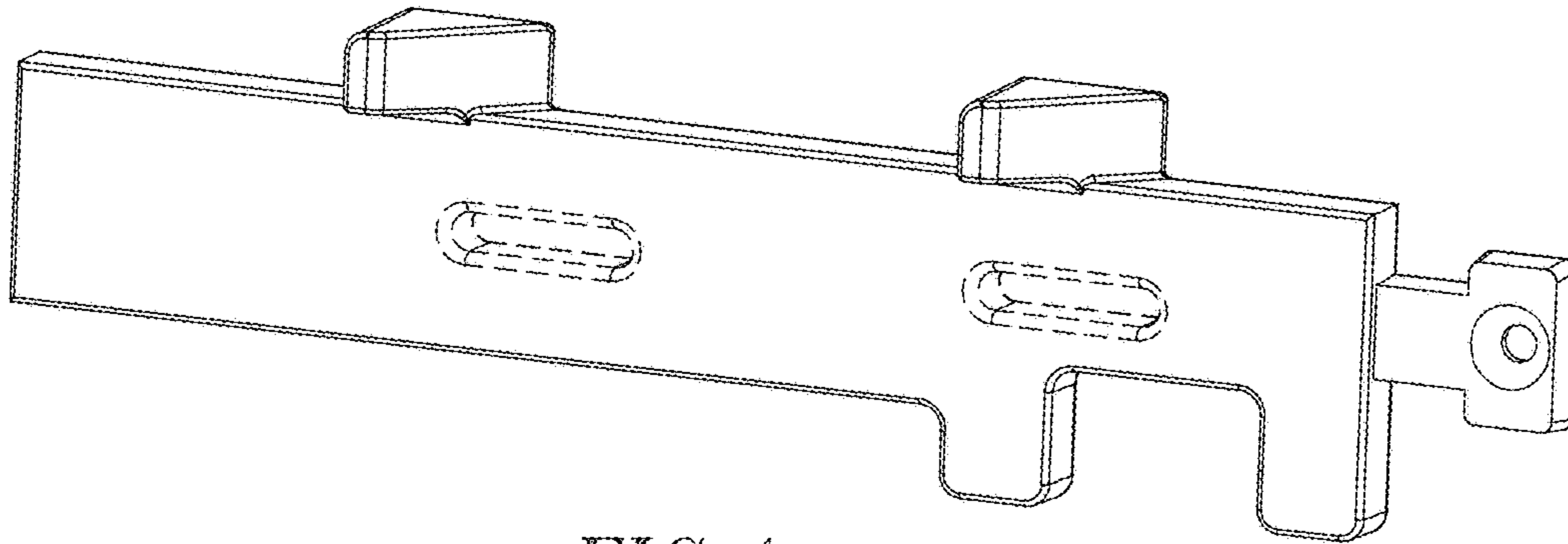
The ornamental design for a latch bar for a locker, as shown and described.

**DESCRIPTION**

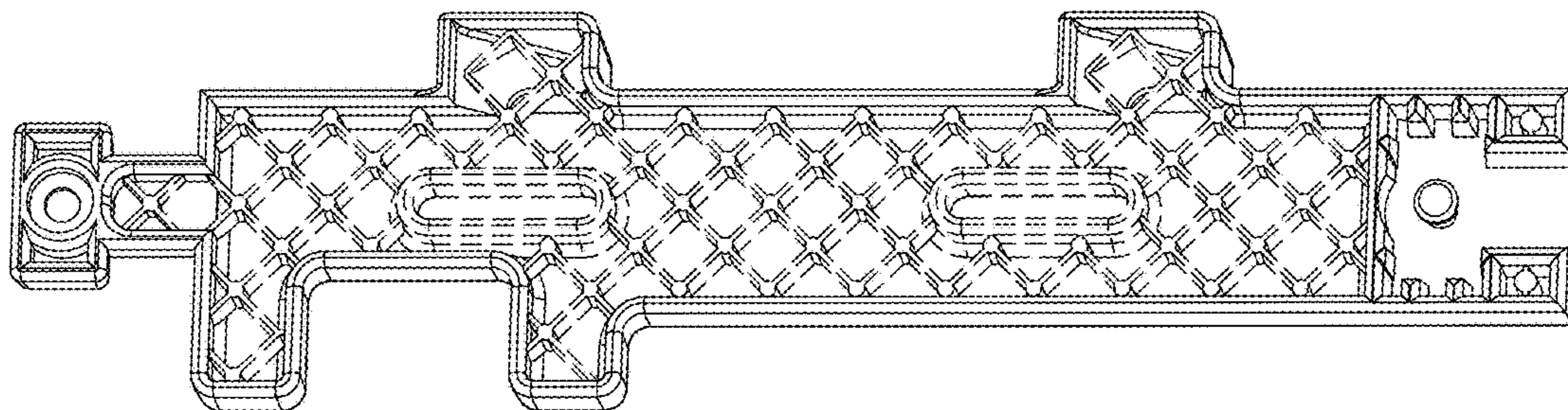
FIG. 1 is a front perspective view of our latch bar for a locker;  
FIG. 2 is a rear perspective view thereof,  
FIG. 3 is a front view thereof;  
FIG. 4 is a rear view thereof;  
FIG. 5 is top view thereof;  
FIG. 6 is a bottom view thereof;  
FIG. 7 is a right side view thereof; and,  
FIG. 8 is a left side view thereof.  
The optional reinforcing ribs shown in broken lines in FIGS. 2 and 4 and the slots shown in broken line in FIGS. 1, 2, 3 and 4 form no part of the claimed design.

**1 Claim, 3 Drawing Sheets**

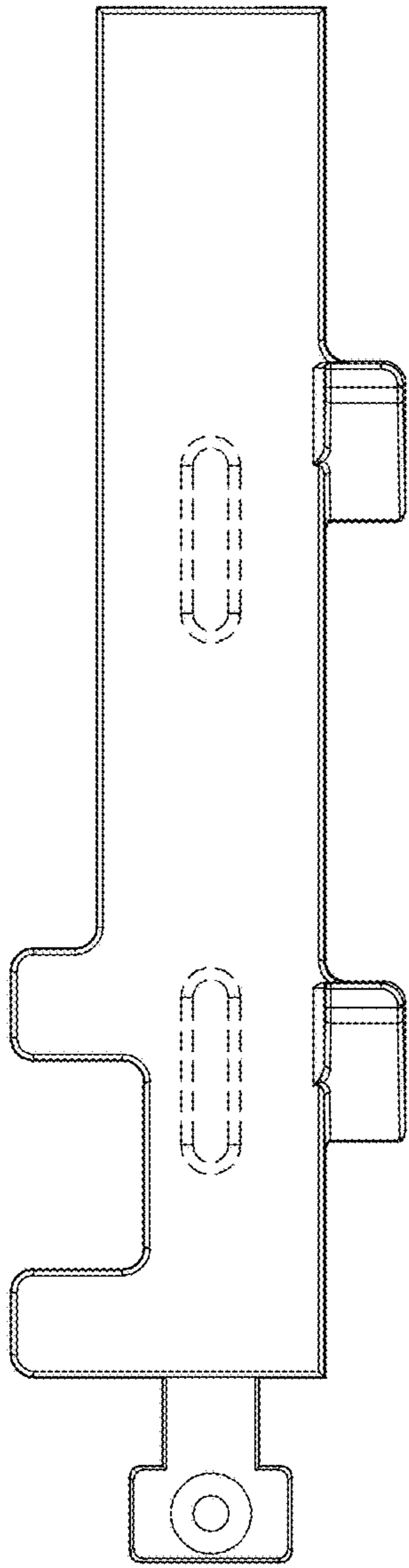




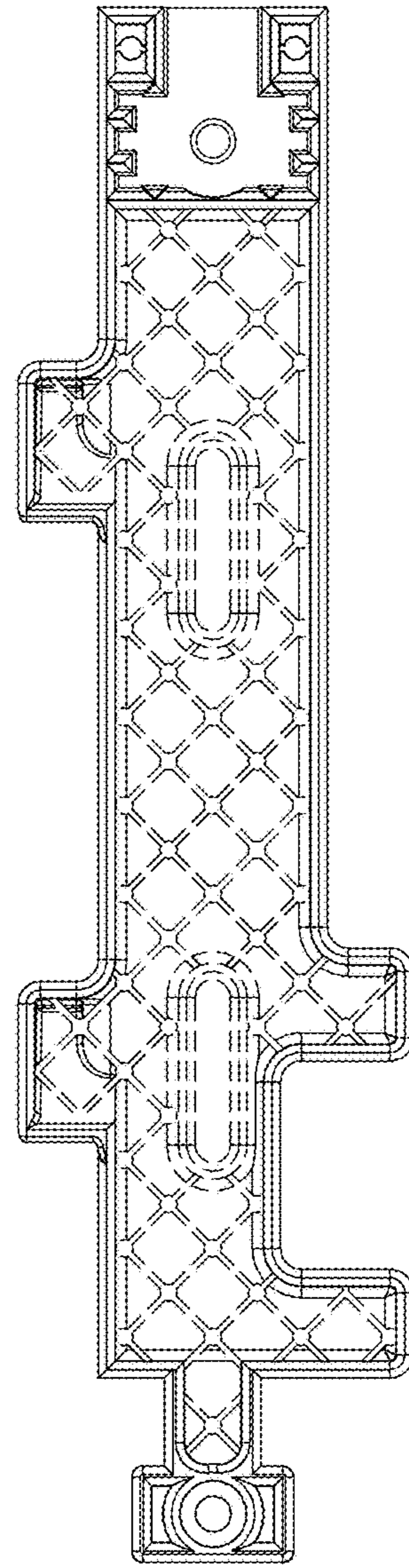
*FIG. 1*



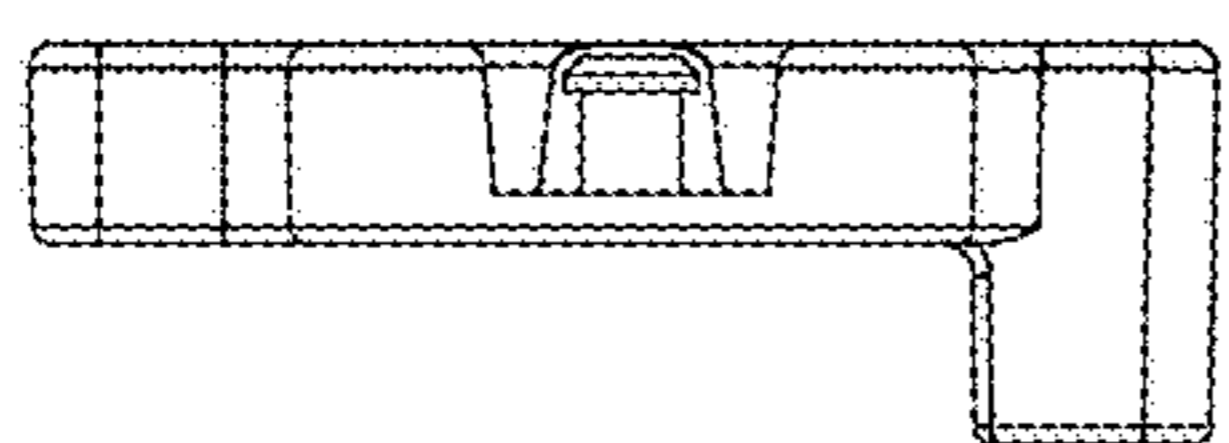
*FIG. 2*



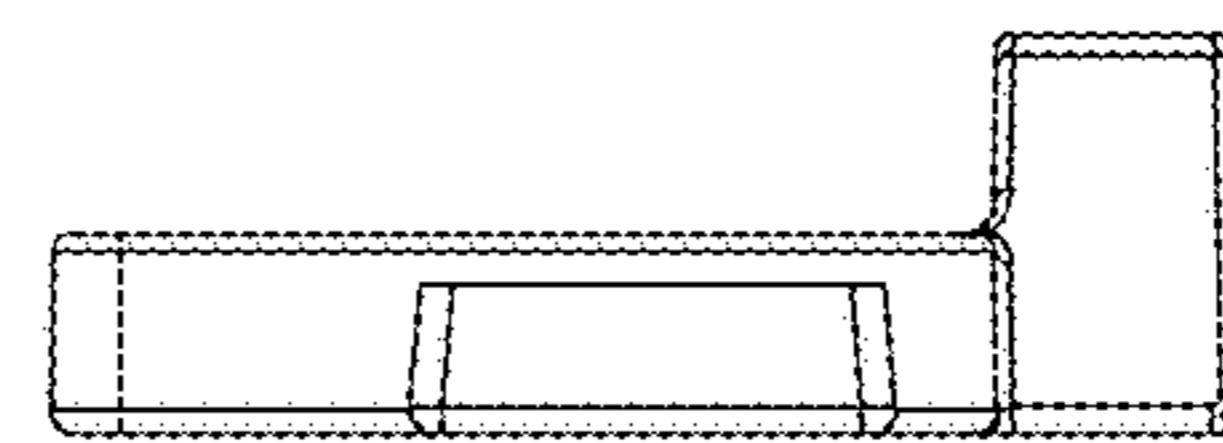
*FIG. 3*



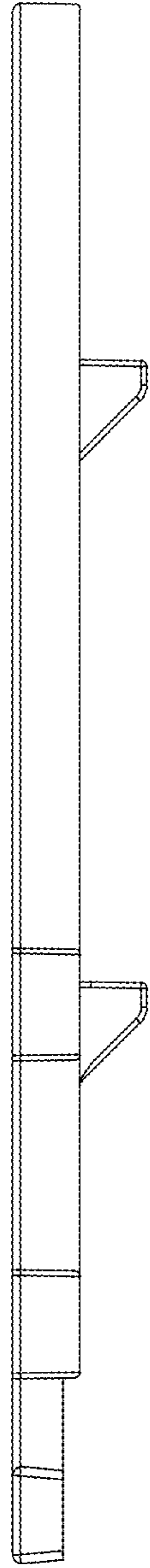
*FIG. 4*



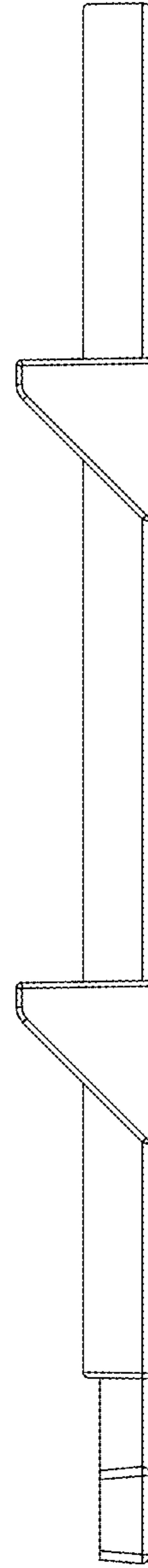
*FIG. 5*



*FIG. 6*



*FIG. 7*



*FIG. 8*