



US00D790954S

(12) **United States Design Patent**
Ocklenburg

(10) **Patent No.:** **US D790,954 S**

(45) **Date of Patent:** **** Jul. 4, 2017**

(54) **LOCK**

(71) Applicant: **ABUS August Bremicker Söhne KG,**
Wetter-Volmarstein (DE)

(72) Inventor: **Matthias Ocklenburg,** Darmstadt (DE)

(73) Assignee: **ABUS August Bremicker Söhne KG,**
Wetter-Volmarstein (DE)

(**) Term: **15 Years**

(21) Appl. No.: **29/556,638**

(22) Filed: **Mar. 2, 2016**

(30) **Foreign Application Priority Data**

Sep. 2, 2015 (EM) 002764720.0002
Sep. 2, 2015 (EM) 002764720.0004
Sep. 2, 2015 (EM) 002764720.0006

(51) **LOC (10) Cl.** **08-07**

(52) **U.S. Cl.**
USPC **D8/343**

(58) **Field of Classification Search**
USPC D8/330, 331, 333, 334, 339-341, 343,
D8/349; 70/20, 30, 31, 38 A, 38 R, 51,
70/52, 57.1, 141, 233, 431, 49, 26, 312,
70/23, 22, 315-318
CPC E05B 37/00; E05B 37/02; E05B 37/08;
E05B 69/00; E05B 67/003; E05B 67/06;
E05B 71/00
See application file for complete search history.

(56) **References Cited**

U.S. PATENT DOCUMENTS

4,302,955 A * 12/1981 Kawakami E05B 37/08
70/30
D274,125 S * 6/1984 Hardesty D8/340

D332,387 S * 1/1993 Ling D8/333
5,749,251 A * 5/1998 Keefe A63C 11/007
211/70.5
6,860,126 B2 * 3/2005 Ling E05B 37/025
70/30
7,140,210 B2 * 11/2006 Cheng E05B 73/0005
70/14
D553,105 S * 10/2007 Heller D13/184
D564,338 S * 3/2008 Lu D8/331
7,412,854 B2 * 8/2008 Raemisch E05B 37/0034
70/30
D667,286 S * 9/2012 Wu D8/330
D670,994 S * 11/2012 Wu D8/343
D688,114 S * 8/2013 Stevens D8/334
D707,101 S * 6/2014 Stevens D8/331

* cited by examiner

Primary Examiner — Prabhakar G Deshmukh

(74) *Attorney, Agent, or Firm* — Dinsmore & Shohl LLP

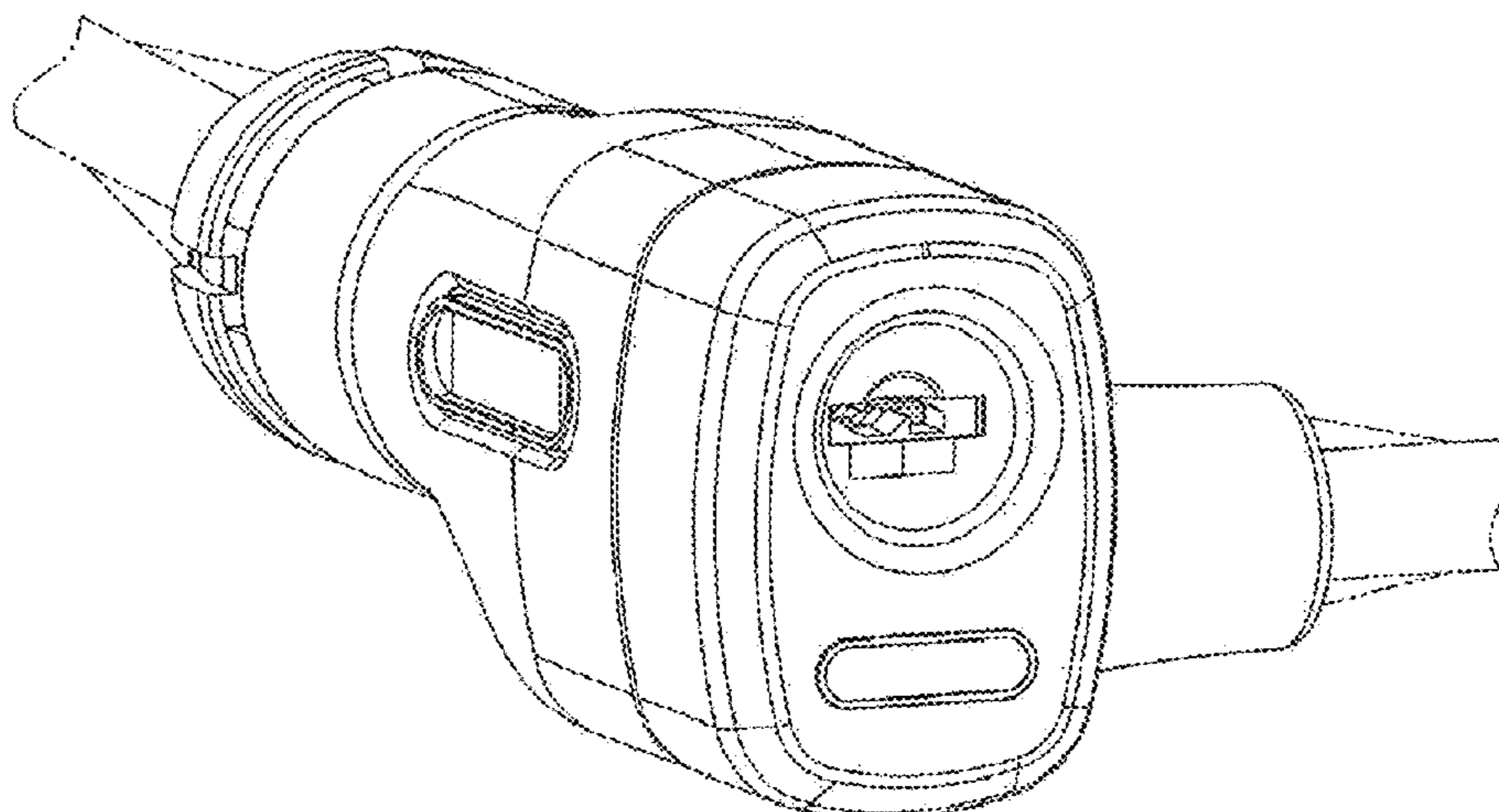
(57) **CLAIM**

The ornamental design for a lock, as shown and described.

DESCRIPTION

FIG. 1 is a perspective view of a lock showing my new design;
FIG. 2 is a front elevational view thereof;
FIG. 3 is a left side elevational view thereof;
FIG. 4 is a right side elevational view thereof;
FIG. 5 is a rear elevational view thereof;
FIG. 6 is a top plan view thereof; and,
FIG. 7 is a bottom plan view thereof.
The broken lines illustrate environment and forms no part of the claimed design.

1 Claim, 3 Drawing Sheets



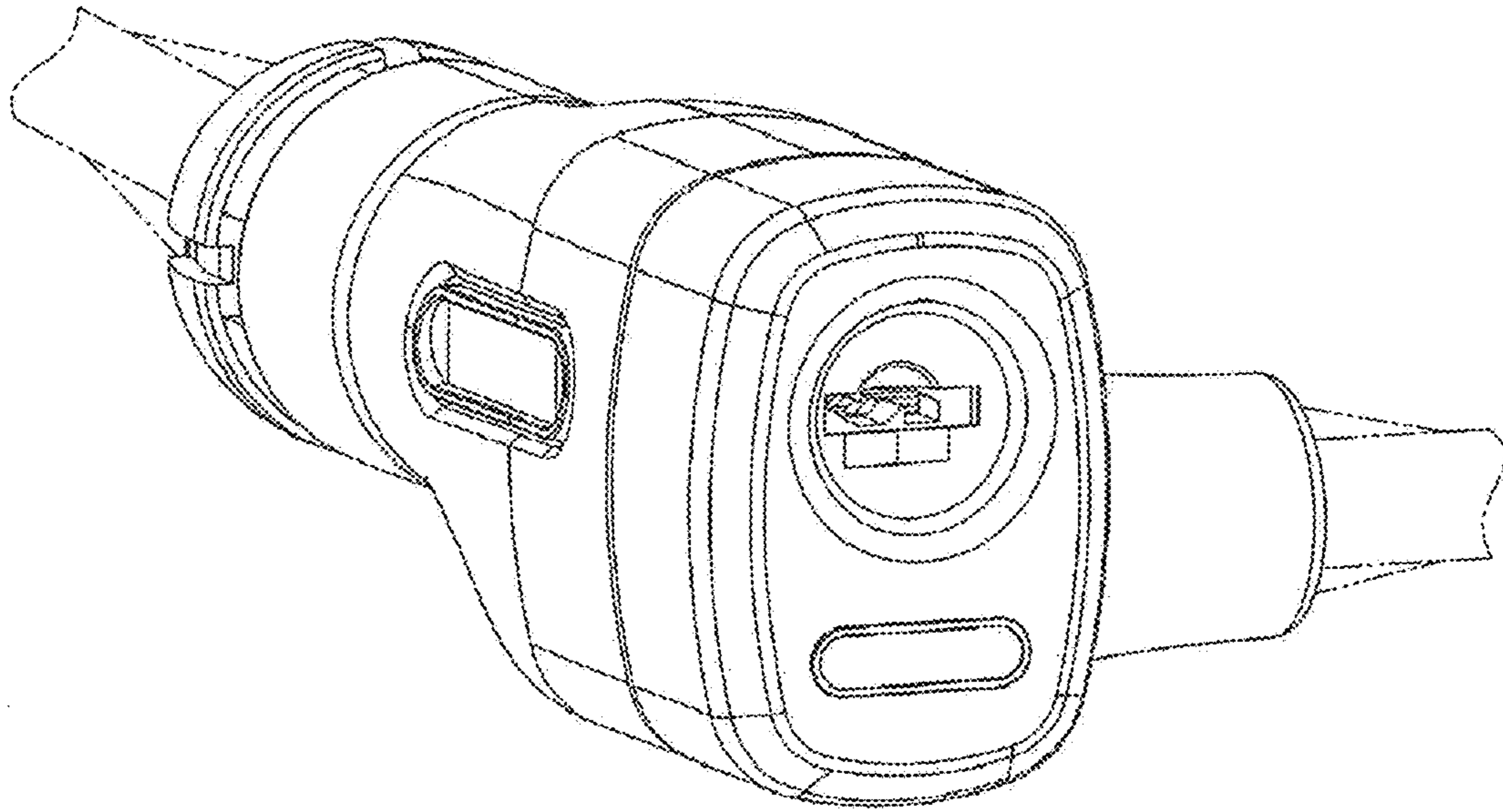


Fig-1

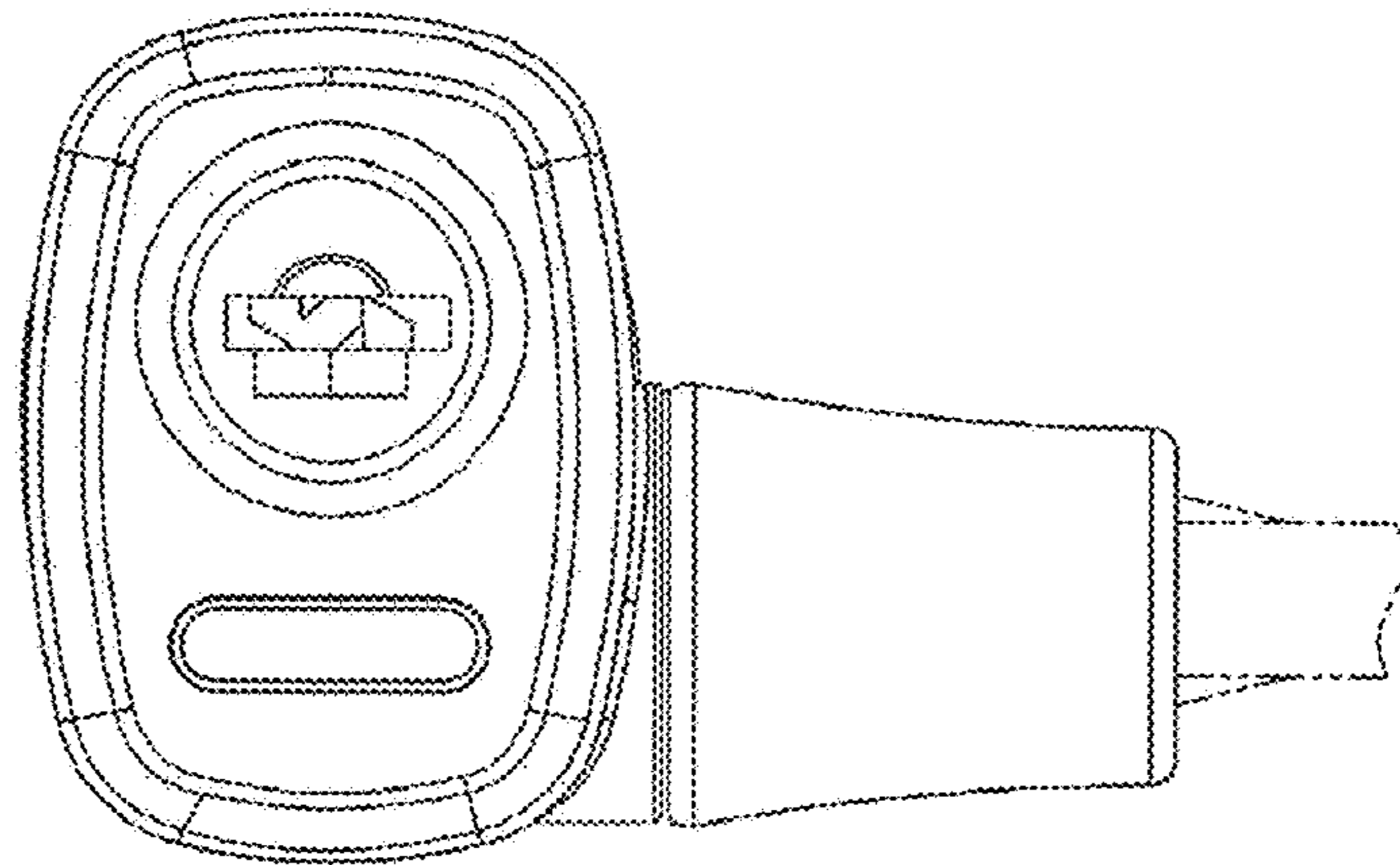


Fig-2

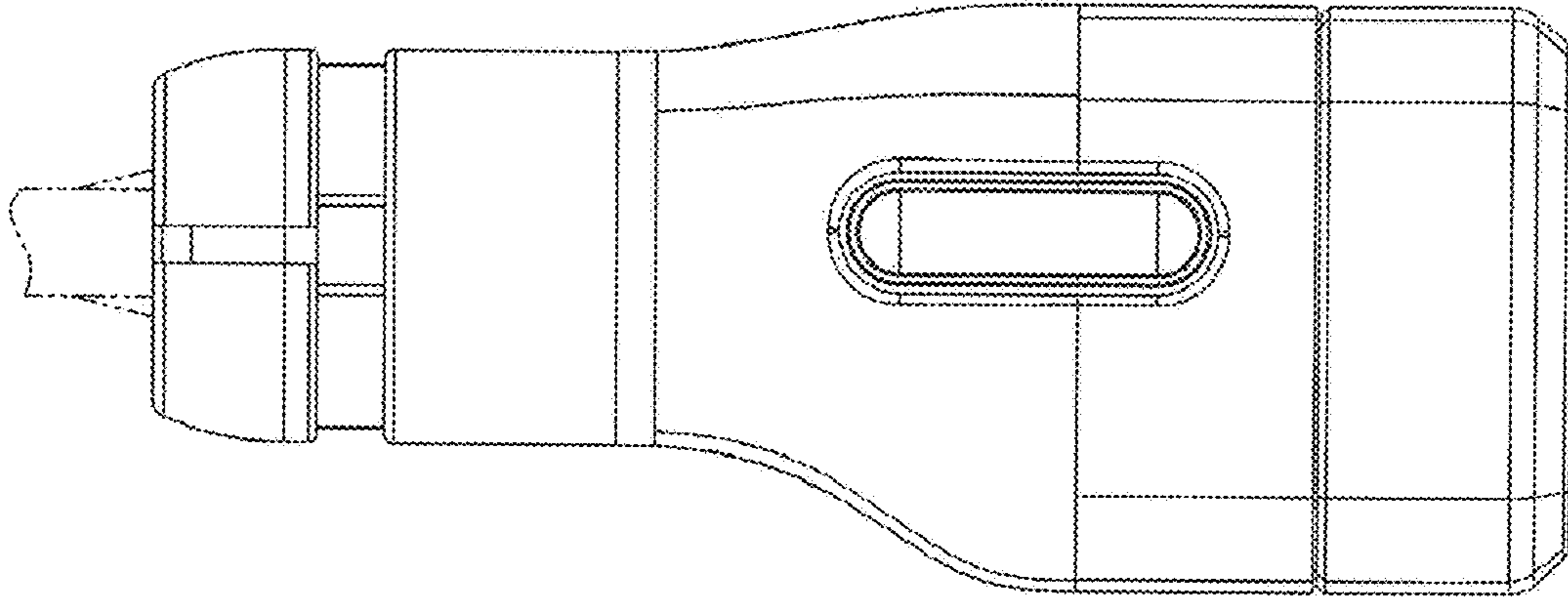


Fig-3

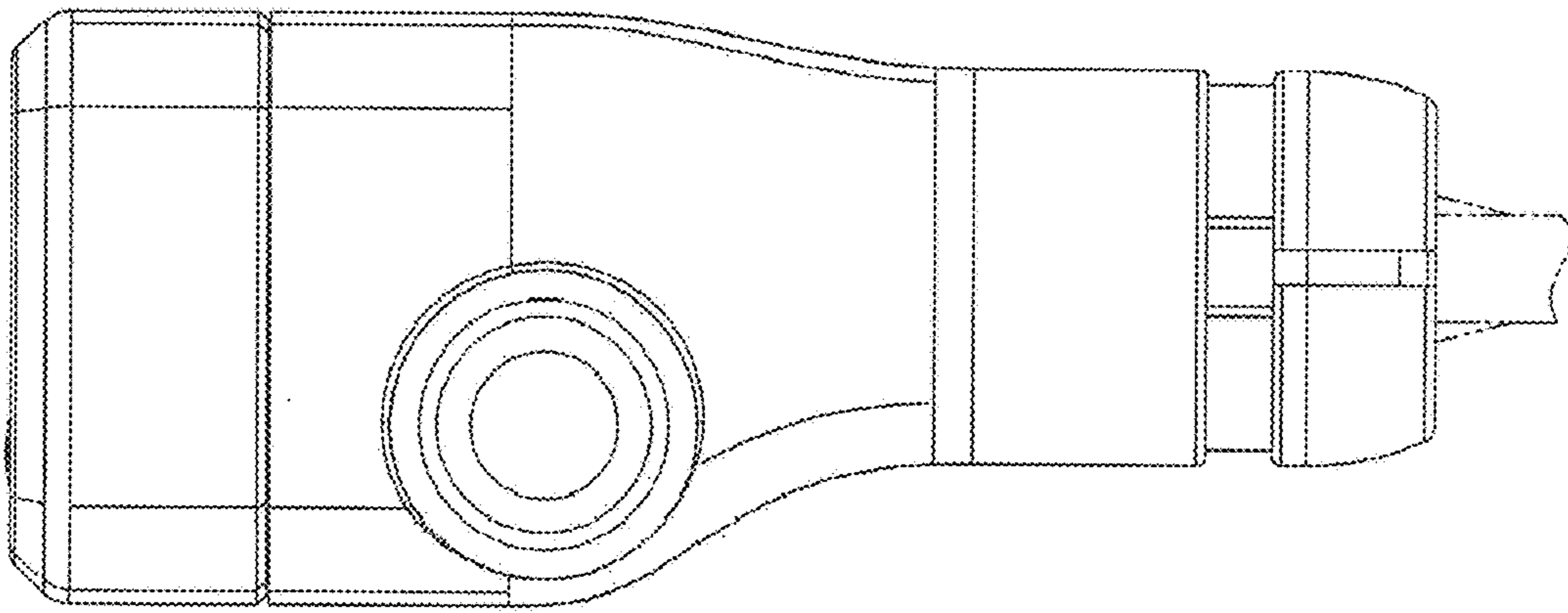


Fig-4

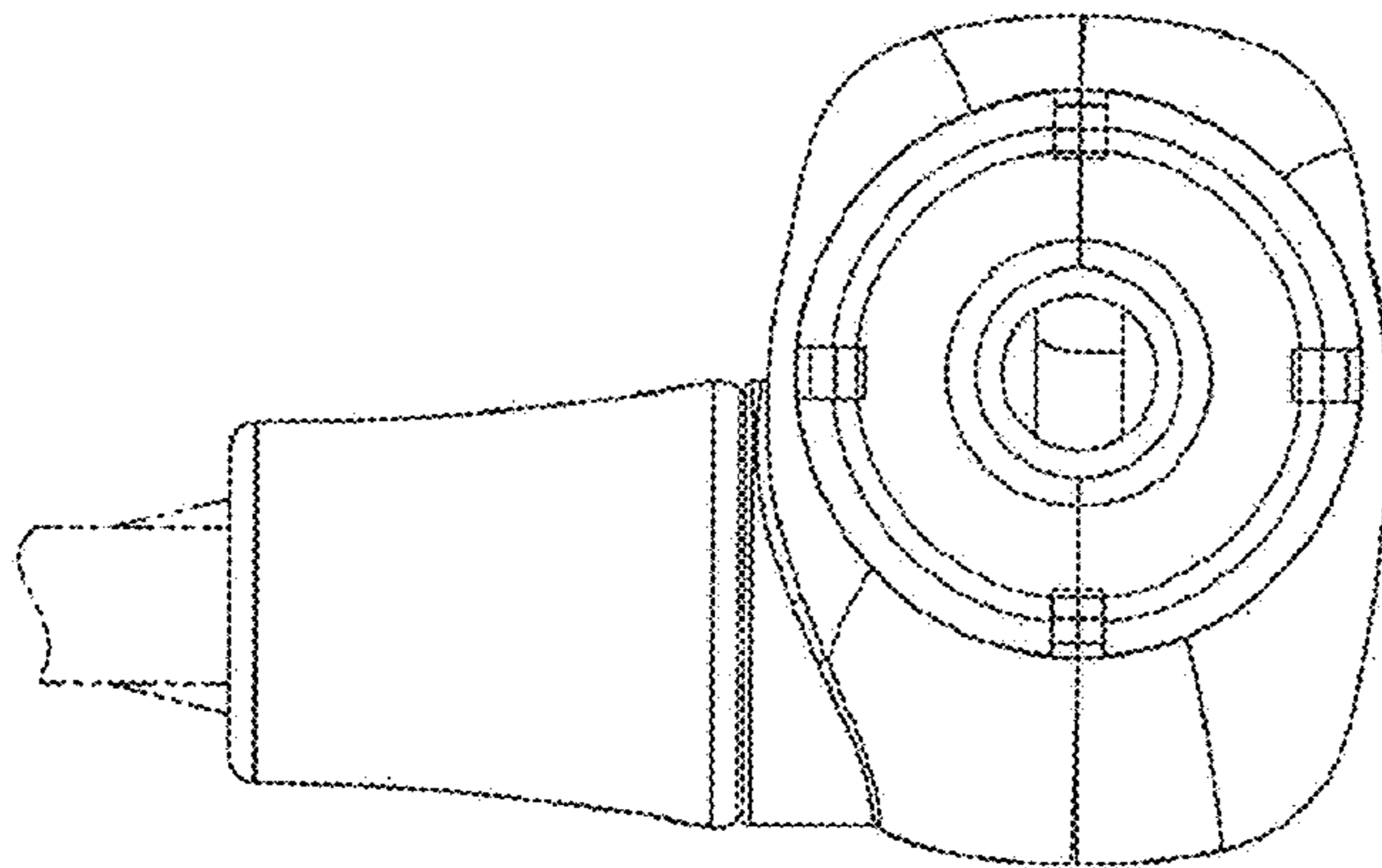


Fig-5

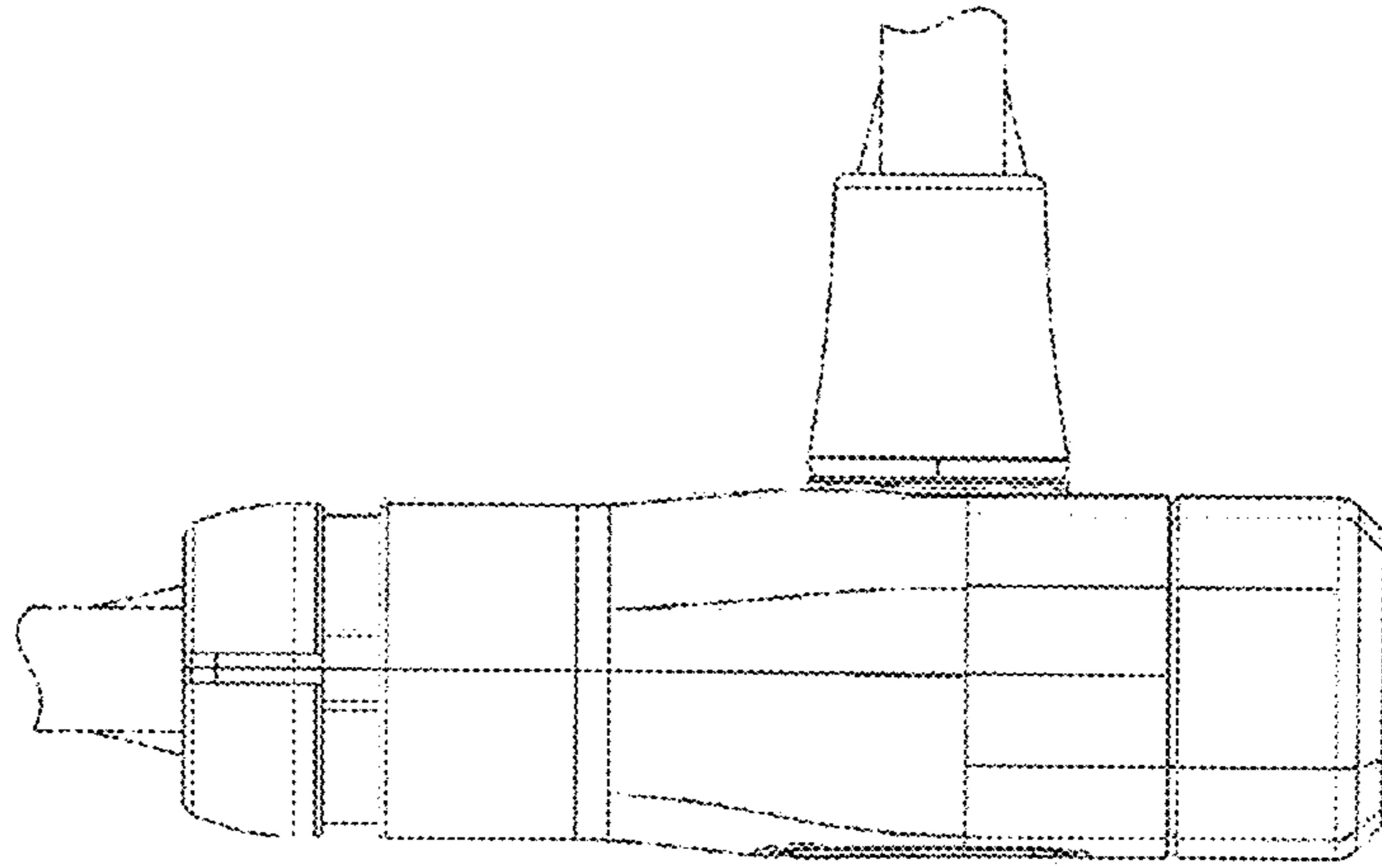


Fig-6

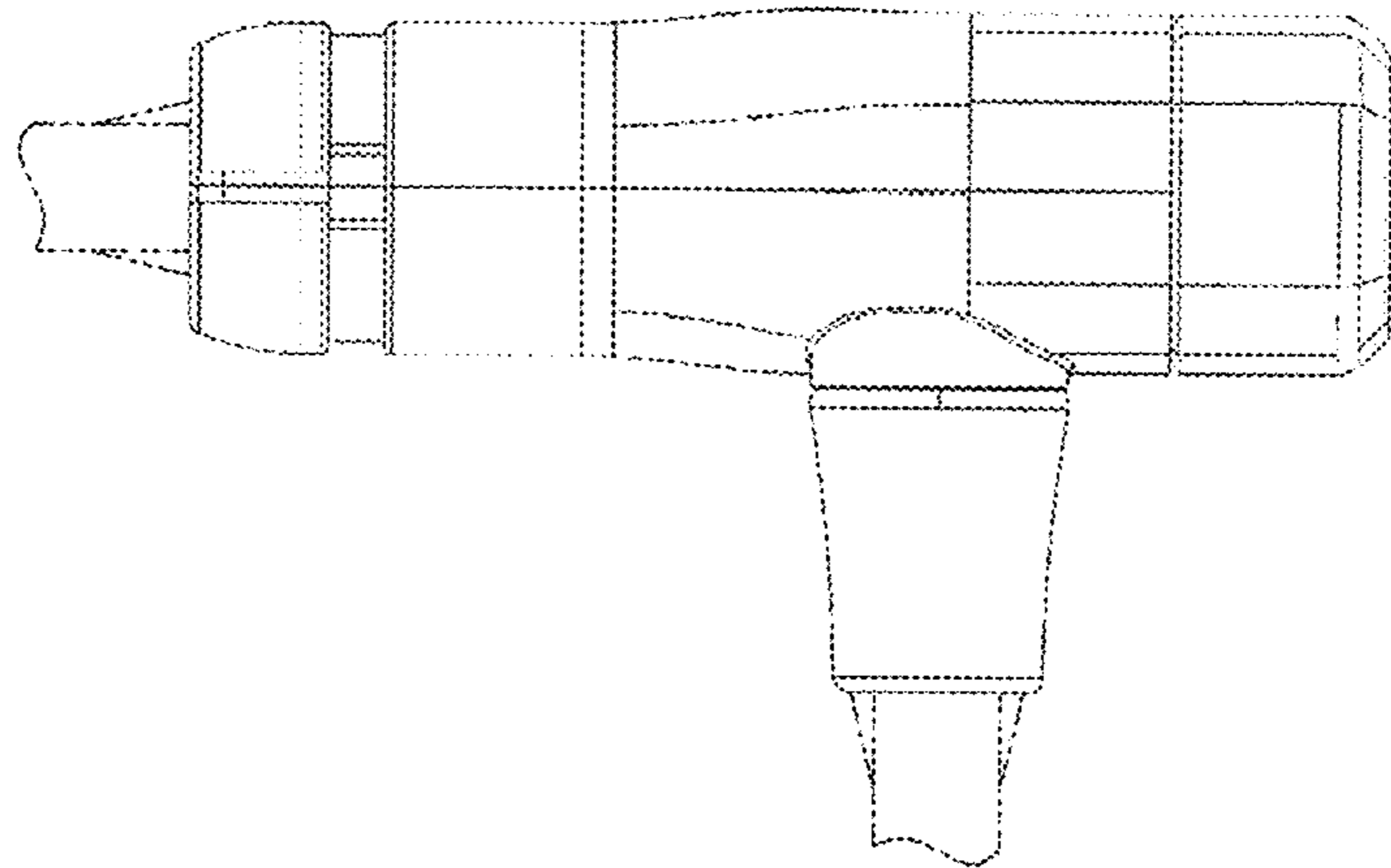


Fig-7