



US00D790951S

(12) **United States Design Patent** (10) **Patent No.:** **US D790,951 S**
Ferreira Sánchez (45) **Date of Patent:** **** Jul. 4, 2017**

- (54) **ESCUTCHEON** D593,399 S * 6/2009 Douglas D8/330
D595,109 S * 6/2009 Doucet D8/330
(71) Applicant: **Salto Systems, S.L.**, Oiartzun (ES) 7,540,177 B1 * 6/2009 Luo E05B 15/02
340/5.53
(72) Inventor: **Carlos Ferreira Sánchez**, Oiartzun (ES) D607,303 S * 1/2010 Kim D8/331
D630,929 S * 1/2011 Downey D8/331
D639,135 S * 6/2011 Doucet D8/330
D666,074 S * 8/2012 Genord D8/330
(73) Assignee: **Salto Systems, S.L.**, Oiartzun (ES) D682,656 S * 5/2013 Cramer D8/331
D738,700 S * 9/2015 Yan D8/330
(**) Term: **15 Years** * cited by examiner

(21) Appl. No.: **29/566,761**
(22) Filed: **Jun. 2, 2016**
(51) **LOC (10) Cl.** **08-07**
(52) **U.S. Cl.**
USPC **D8/331; D8/350; D8/353**
(58) **Field of Classification Search**
USPC D8/330, 331, 334, 300, 301, 302,
D8/350-353; 70/14, 20-22, 57, 57.1,
70/284-286, 314, DIG. 44; 340/5.21,
340/5.54, 5.65, 5.73, 5.81, 5.85
CPC . E05C 9/004; E05B 9/002; E05B 9/00; E05B
9/02; E05B 37/00; E05B 1/00; E05B
3/00; E05B 47/00; E05B 47/06; E05B
49/00; E05B 15/02; E05B 15/00; E05B
13/103; Y10T 70/8324; Y10T 70/8459;
Y10T 70/8514; Y10T 70/8568
See application file for complete search history.

Primary Examiner — Mark Goodwin
(74) *Attorney, Agent, or Firm* — The Webb Law Firm

(57) **CLAIM**

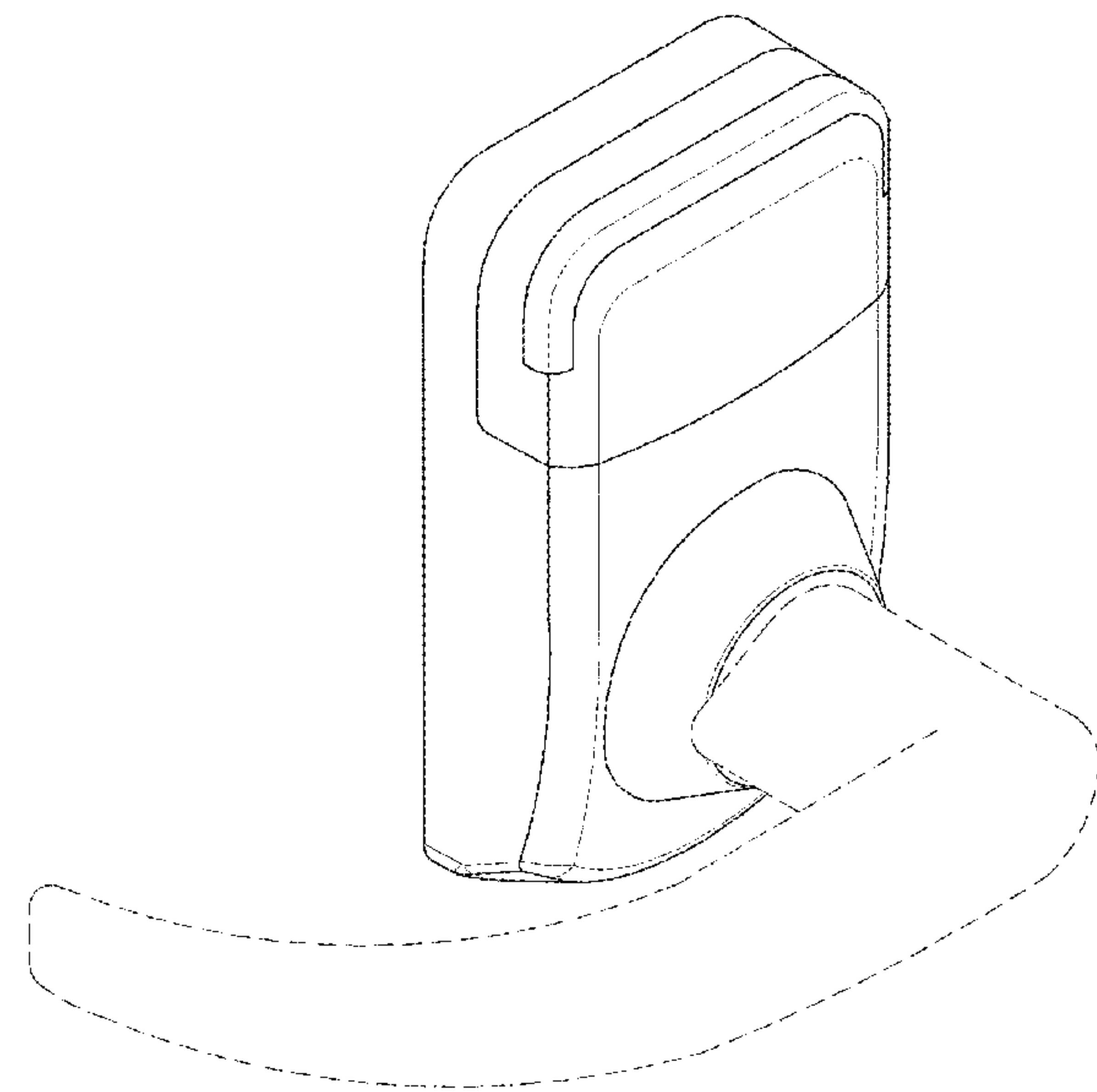
The ornamental design for an escutcheon, as shown and described.

DESCRIPTION

FIG. 1 is a left perspective view of an escutcheon showing my new design;
FIG. 2 is a right perspective view of an escutcheon showing my new design;
FIG. 3 is a front elevation view of an escutcheon showing my new design;
FIG. 4 is a right elevation view of an escutcheon showing my new design;
FIG. 5 is a left view of an escutcheon showing my new design;
FIG. 6 is a top plan view of an escutcheon showing my new design; and,
FIG. 7 is a bottom plan view of an escutcheon showing my new design.
The dashed lines in FIGS. 1-7 show a handle, which is included for environmental purposes only and forms no part of the claimed design.

1 Claim, 6 Drawing Sheets

- (56) **References Cited**
U.S. PATENT DOCUMENTS
6,733,050 B1 * 5/2004 Yao E05B 63/044
292/137
D533,763 S * 12/2006 Wright D8/330
D552,966 S * 10/2007 Roberts D8/330
D552,967 S * 10/2007 Roberts D8/330
D570,188 S * 6/2008 Luo D8/330
D581,246 S * 11/2008 Conway D8/330



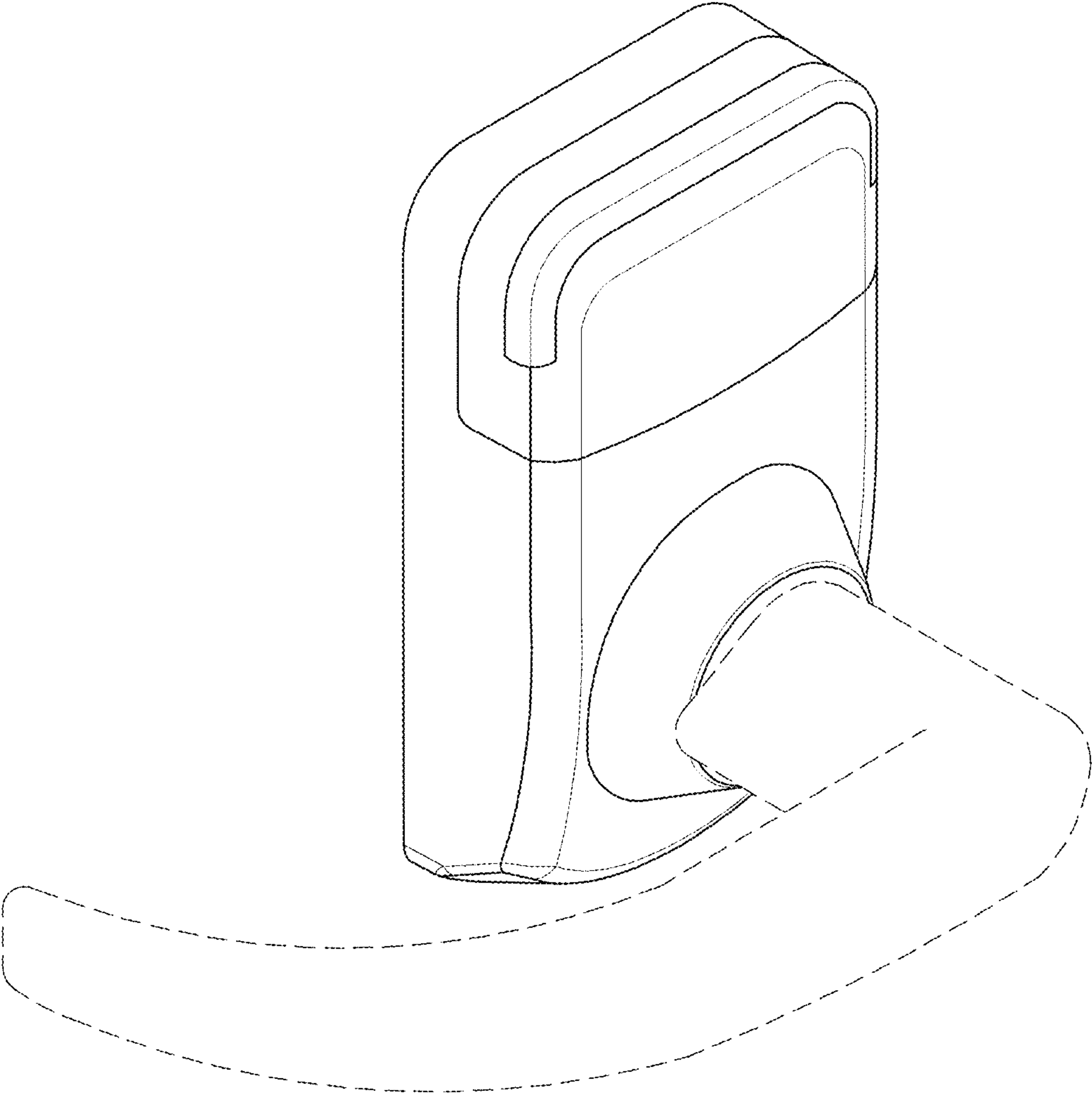


FIG. 1

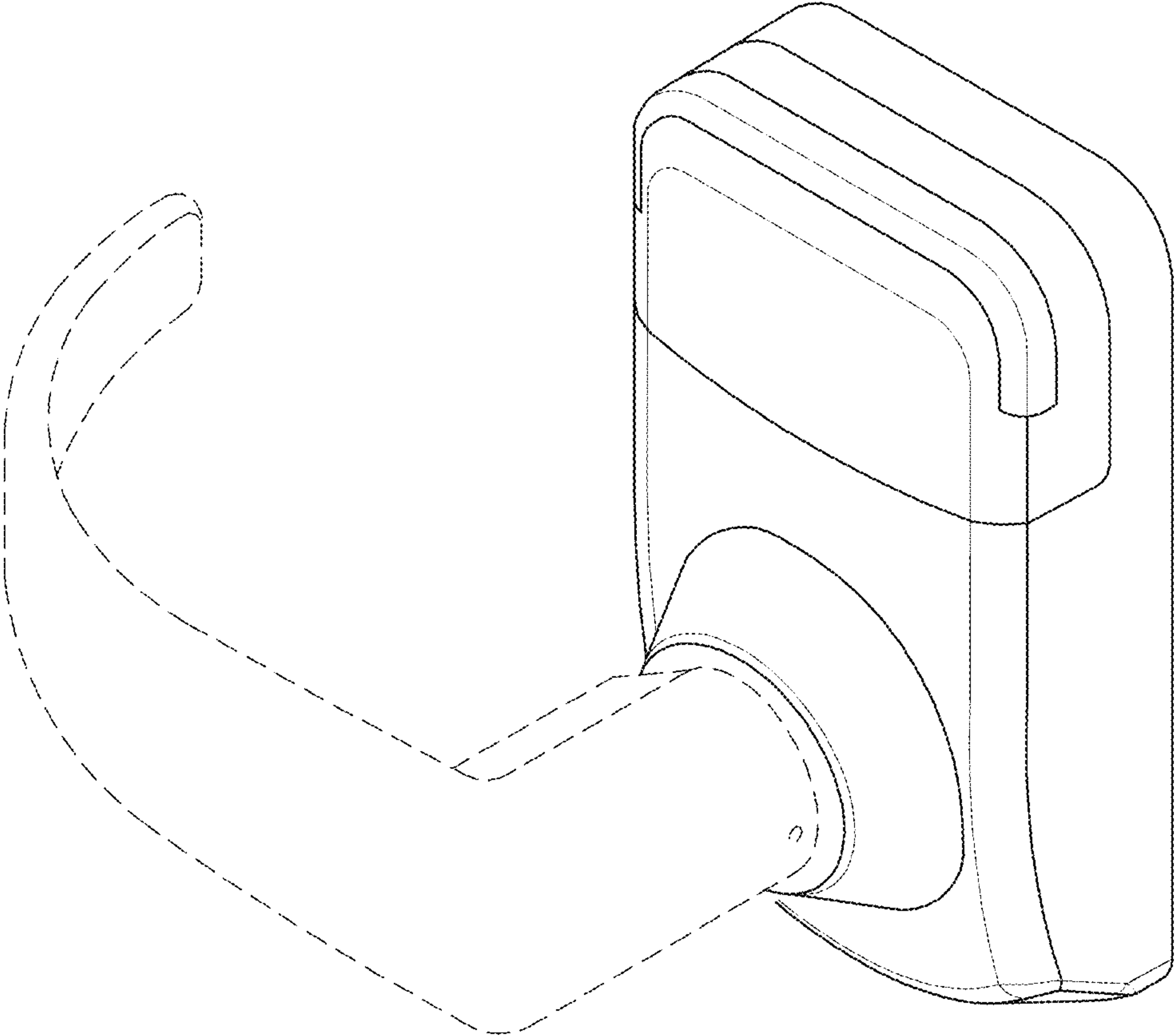


FIG. 2

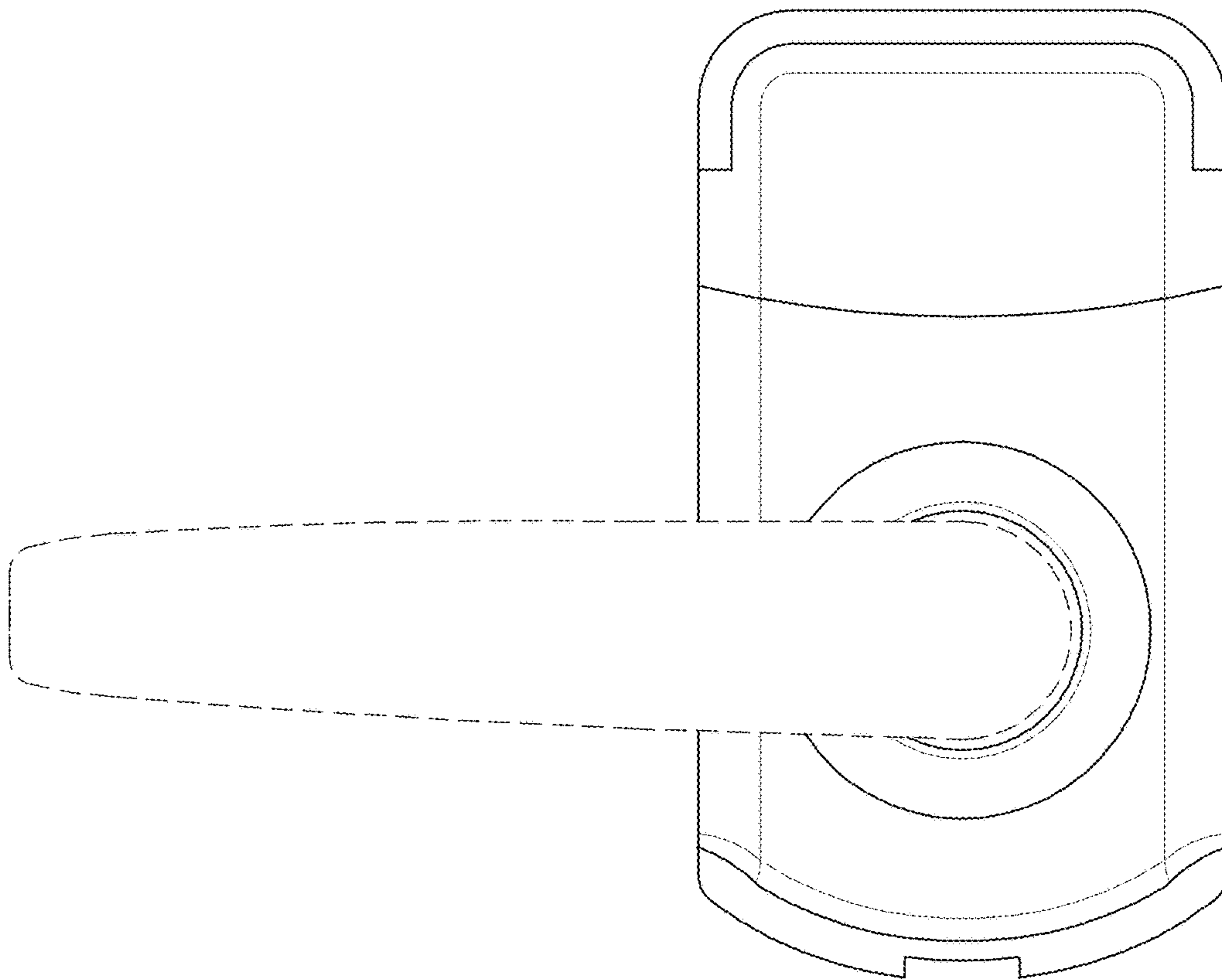


FIG. 3

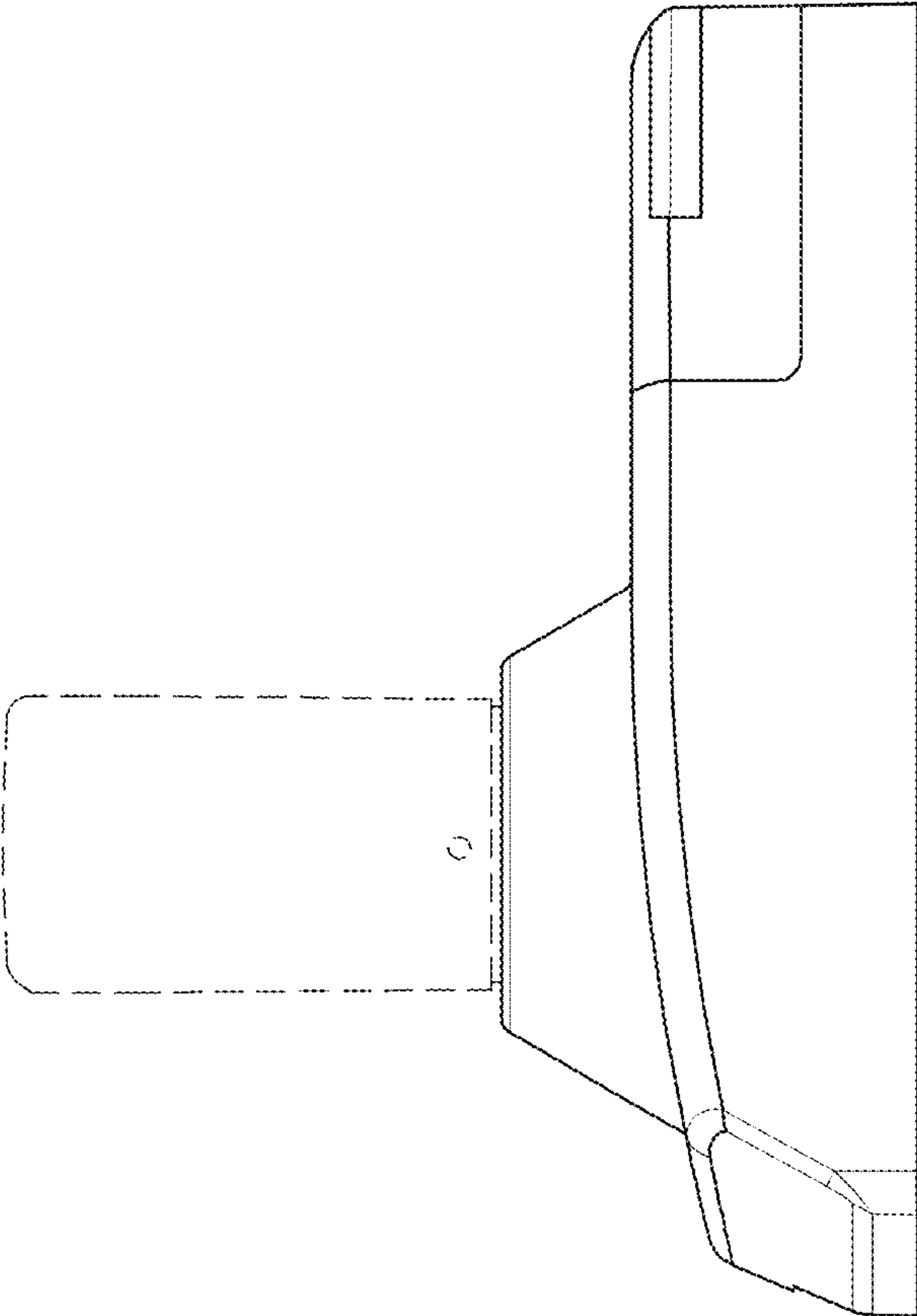


FIG. 4

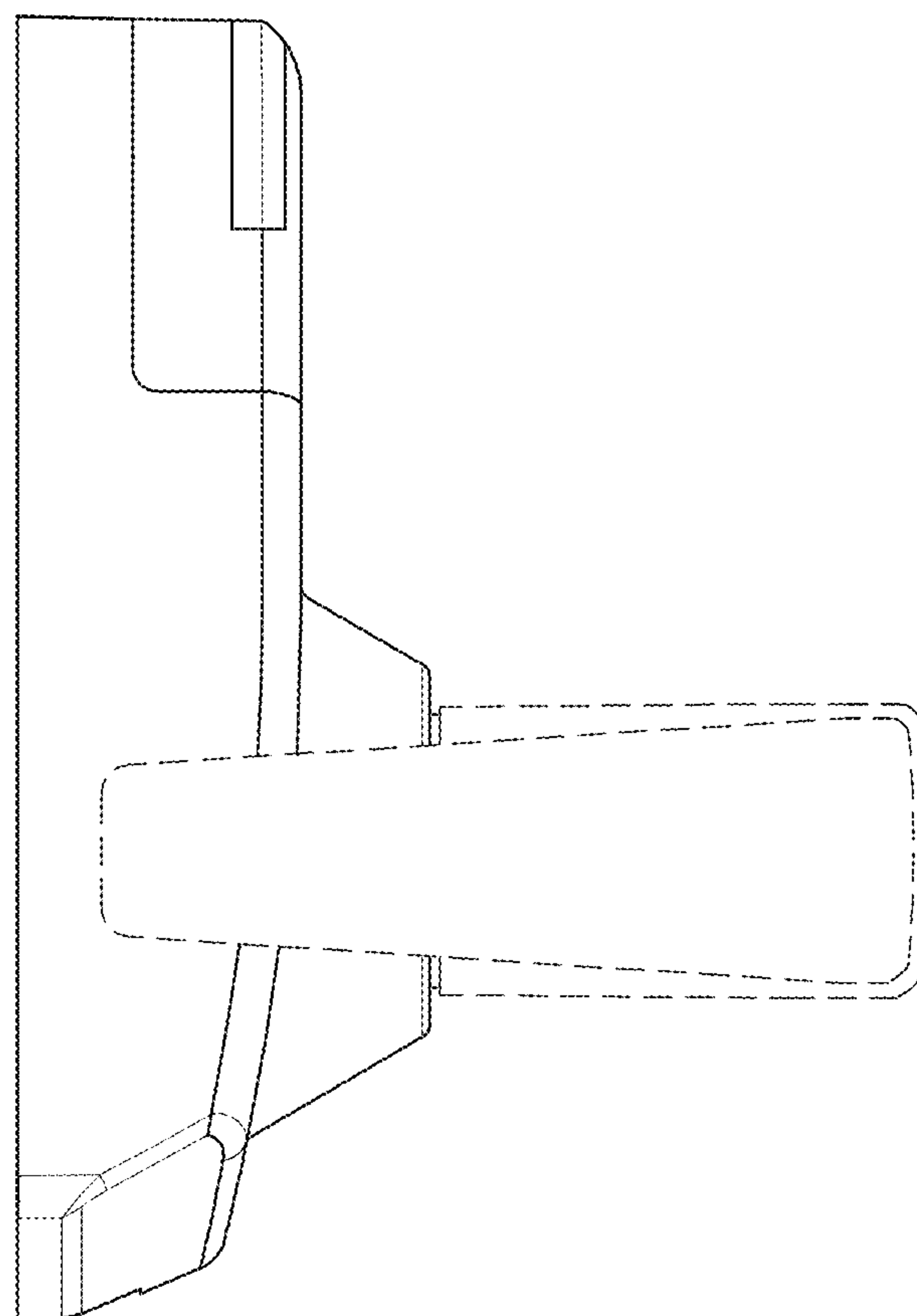


FIG. 5

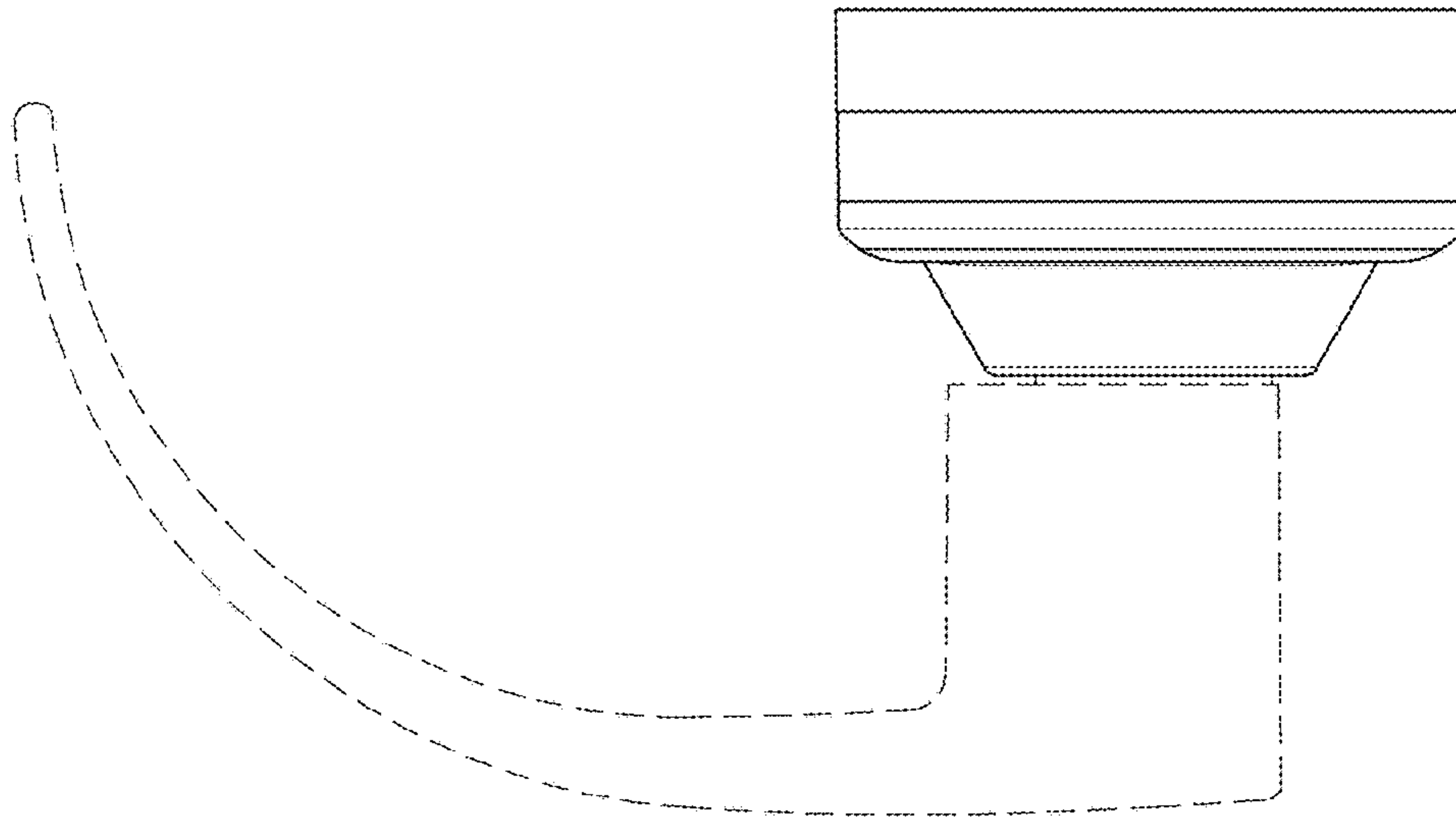


FIG. 6

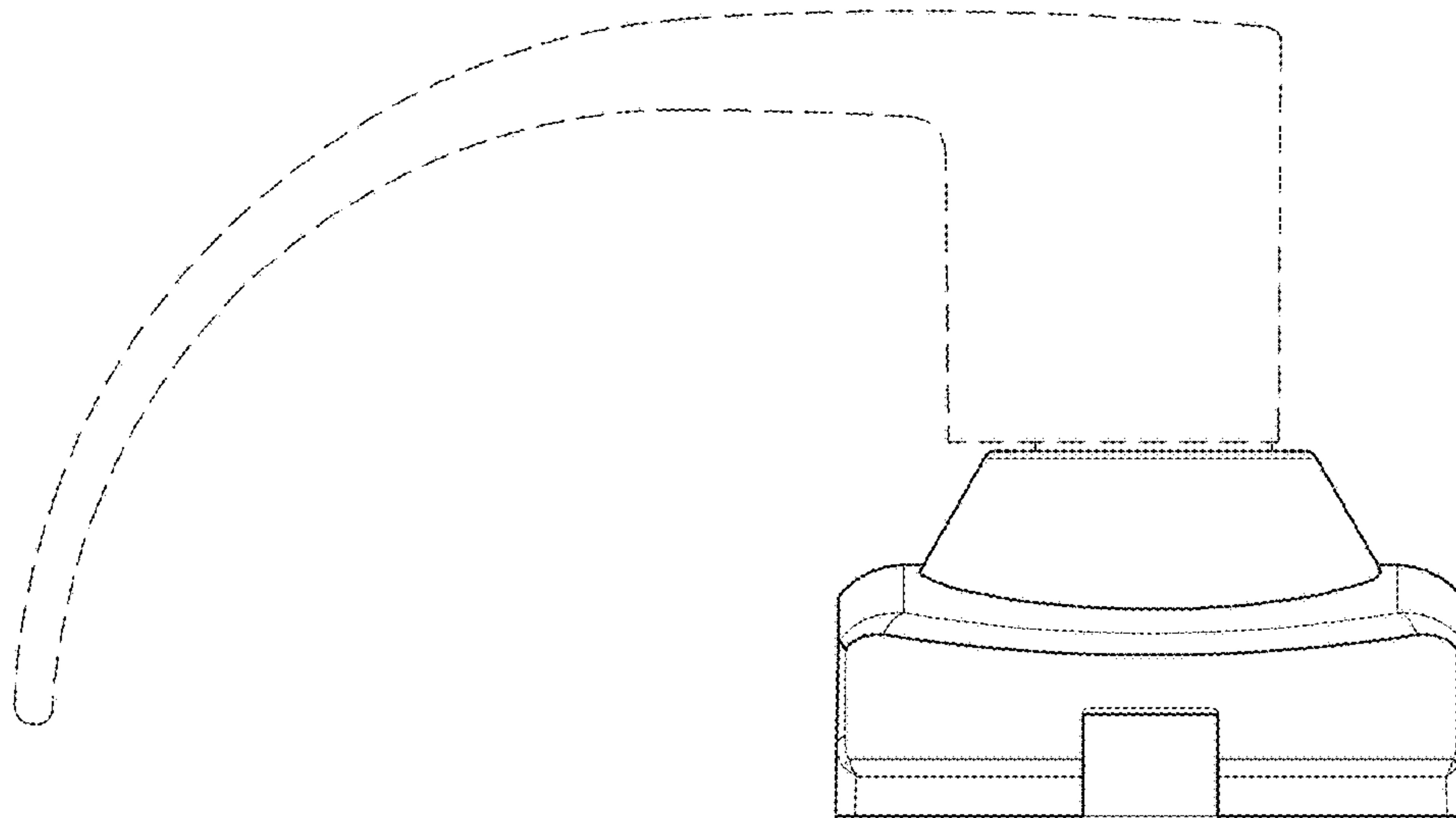


FIG. 7